



US00D644981S

(12) **United States Design Patent**
Ohashi

(10) **Patent No.:** **US D644,981 S**

(45) **Date of Patent:** **** Sep. 13, 2011**

(54) **TIRE**

(75) **Inventor:** **Toshiyuki Ohashi, Osaka (JP)**

(73) **Assignee:** **Toyo Tire & Rubber Co., Ltd., Osaka (JP)**

(**) **Term:** **14 Years**

(21) **Appl. No.:** **29/380,100**

(22) **Filed:** **Nov. 30, 2010**

(30) **Foreign Application Priority Data**

Jun. 22, 2010 (JP) 2010-015276

(51) **LOC (9) Cl.** **12-15**

(52) **U.S. Cl.** **D12/523**

(58) **Field of Classification Search** D12/505-532,
D12/900-901, 551-555, 586-590;
152/209.1-209.28, 455

See application file for complete search history.

(56) **References Cited**

U.S. PATENT DOCUMENTS

D460,402 S *	7/2002	Ishida et al.	D12/523
D582,339 S *	12/2008	Kang	D12/519
D583,750 S *	12/2008	Behr et al.	D12/523
D584,214 S *	1/2009	Mukai	D12/532
D586,725 S *	2/2009	Fontaine et al.	D12/519
D595,636 S *	7/2009	Miyazaki	D12/519
D607,809 S *	1/2010	Fontaine et al.	D12/523
D622,655 S *	8/2010	Ohashi	D12/519

D622,656 S *	8/2010	Ohashi	D12/519
D623,586 S *	9/2010	Fontaine et al.	D12/519
D633,433 S *	3/2011	Sieber et al.	D12/519
D637,546 S *	5/2011	Yonetsu	D12/519

FOREIGN PATENT DOCUMENTS

JP 1236667 3/2005

* cited by examiner

Primary Examiner — Stacia Cadmus

(74) *Attorney, Agent, or Firm* — Sterne, Kessler, Goldstein & Fox, PLLC

(57) **CLAIM**

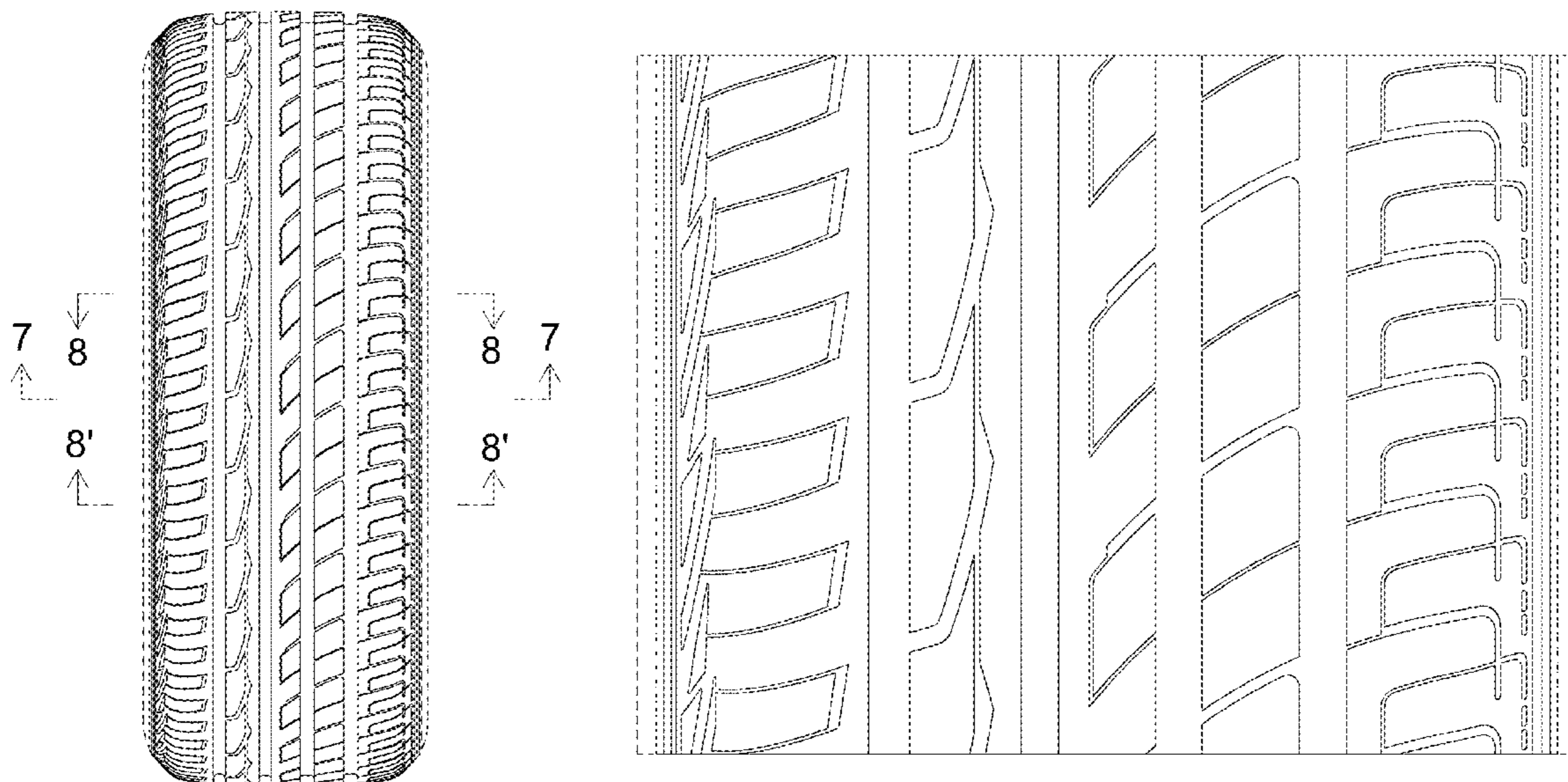
The ornamental design for a tire, as shown and described.

DESCRIPTION

FIG. 1 is a perspective view of a tire showing my new design;
 FIG. 2 is a front view thereof;
 FIG. 3 is a rear view thereof;
 FIG. 4 is a top plan view thereof, for which the bottom plan view is the same;
 FIG. 5 is a right side view thereof;
 FIG. 6 is a left side view thereof;
 FIG. 7 is a cross-sectional view taken along line 7-7 in FIG. 2 and line 7'-7' in FIG. 5; and,
 FIG. 8 is an enlarged view taken along lines 8-8 and 8'-8' in FIG. 2.

In the drawings, the broken lines defining the sidewall, inner bead, and the peripheral boundary between the claimed tire tread and the unclaimed sidewall depict environmental subject matter that forms no part of the claimed design.

1 Claim, 8 Drawing Sheets



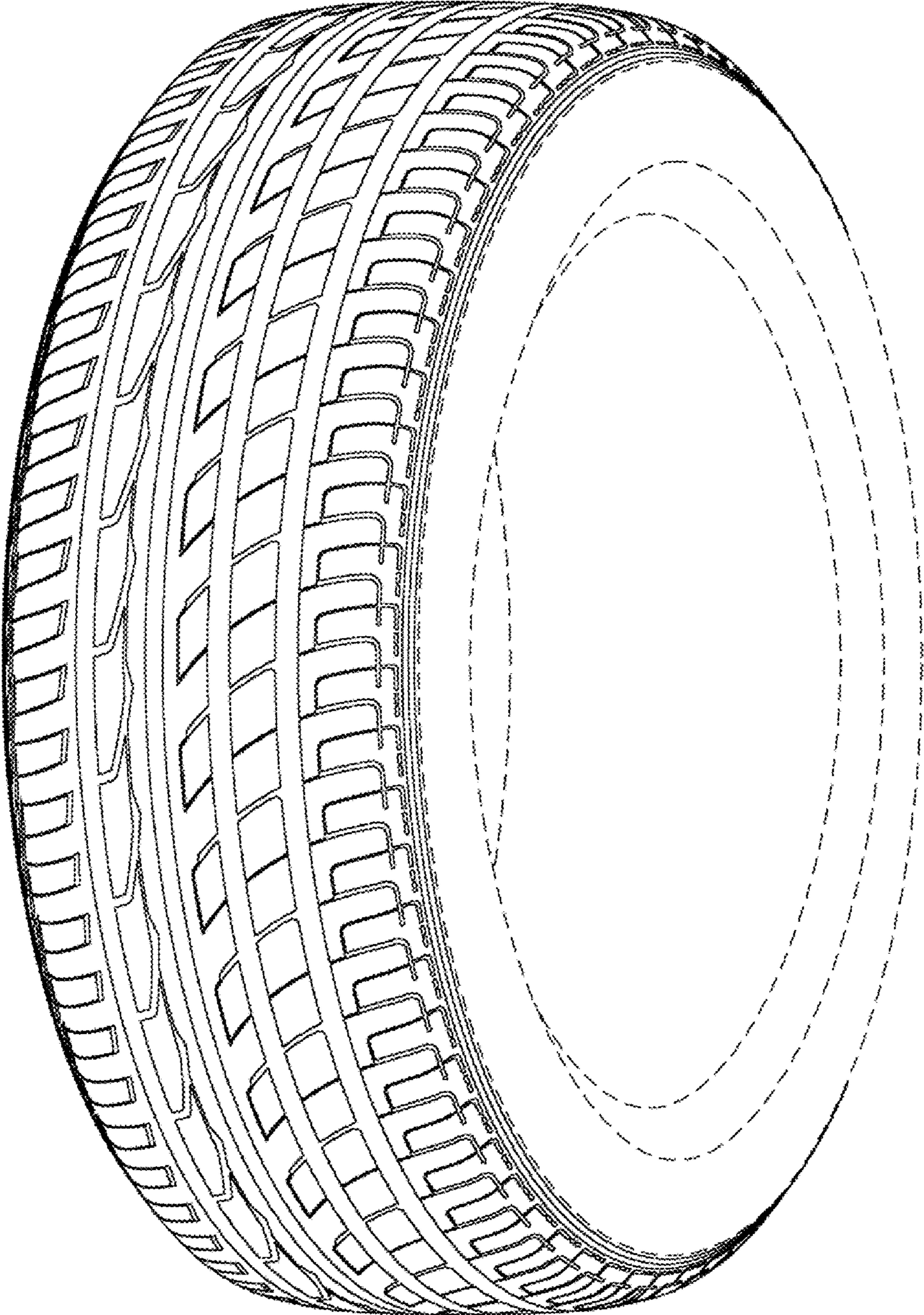


FIG. 1

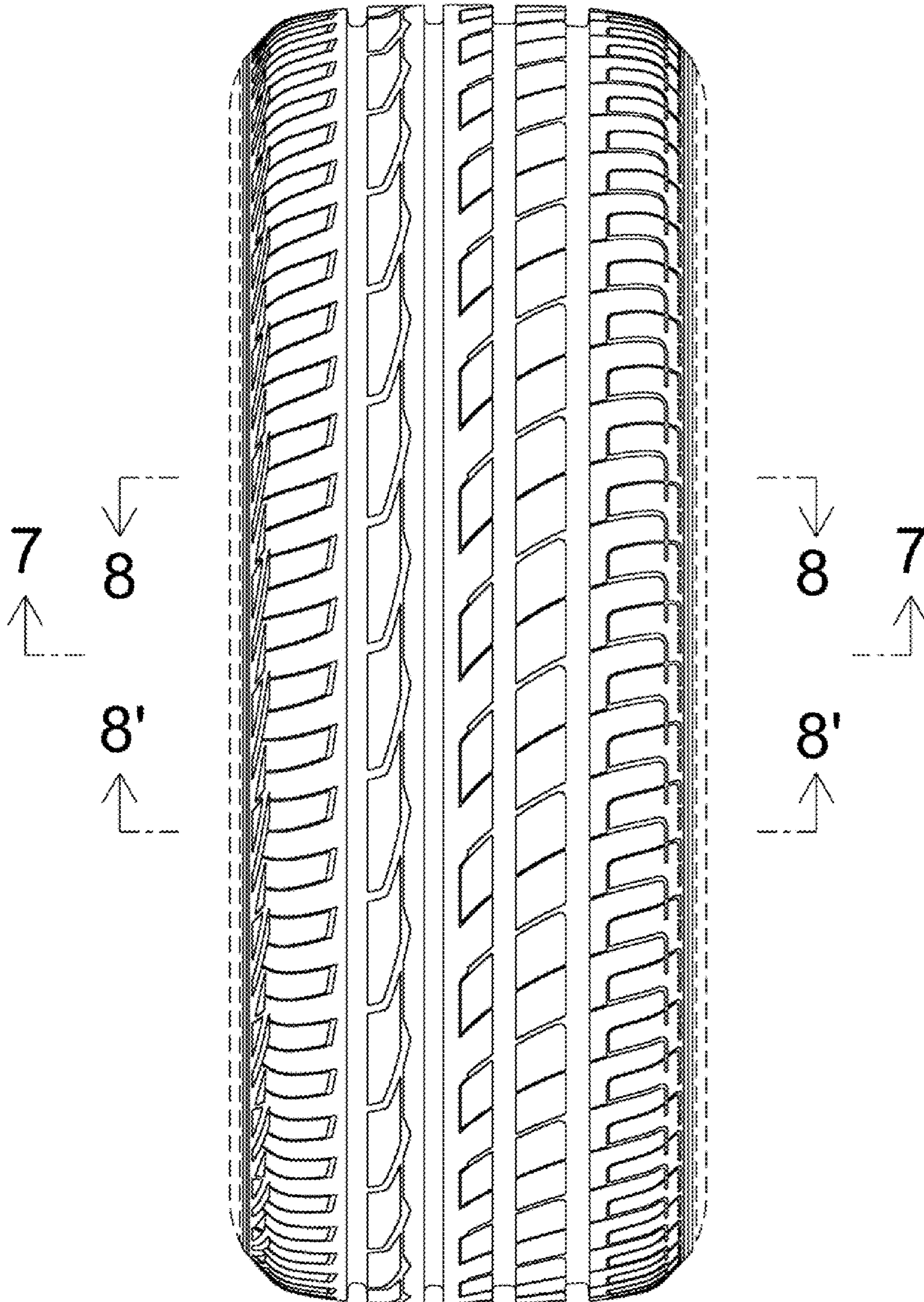


FIG. 2

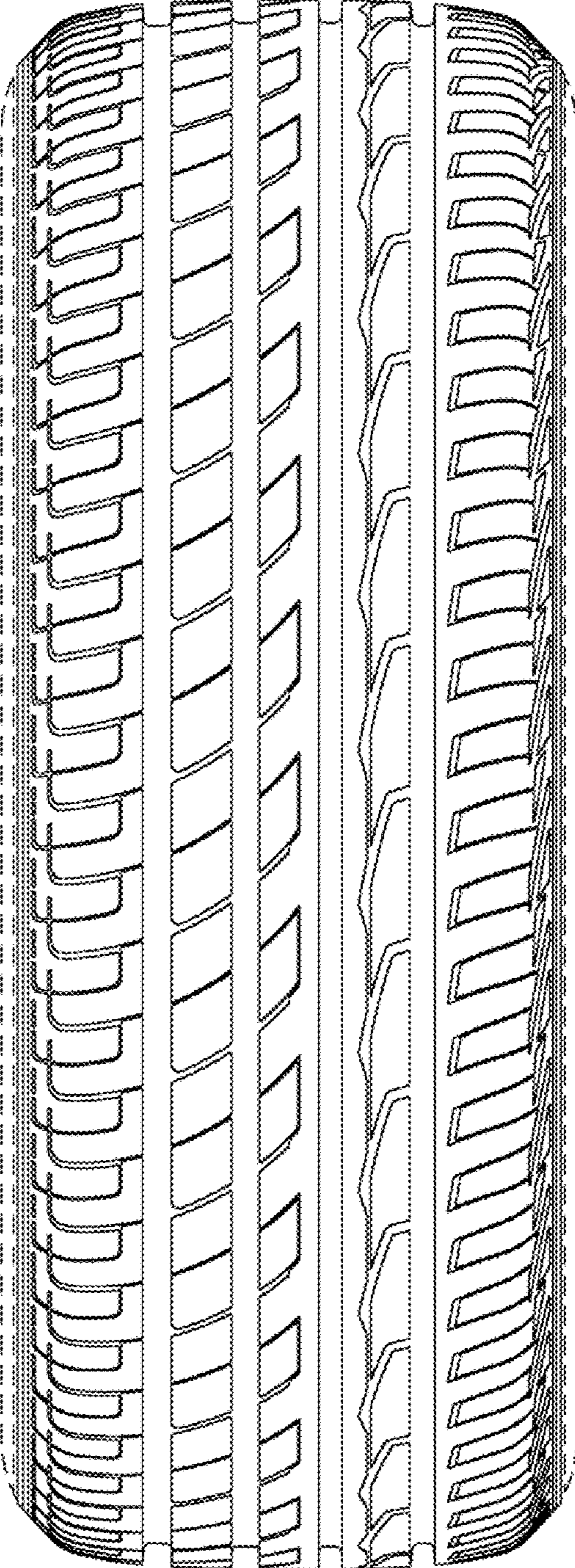


FIG. 3

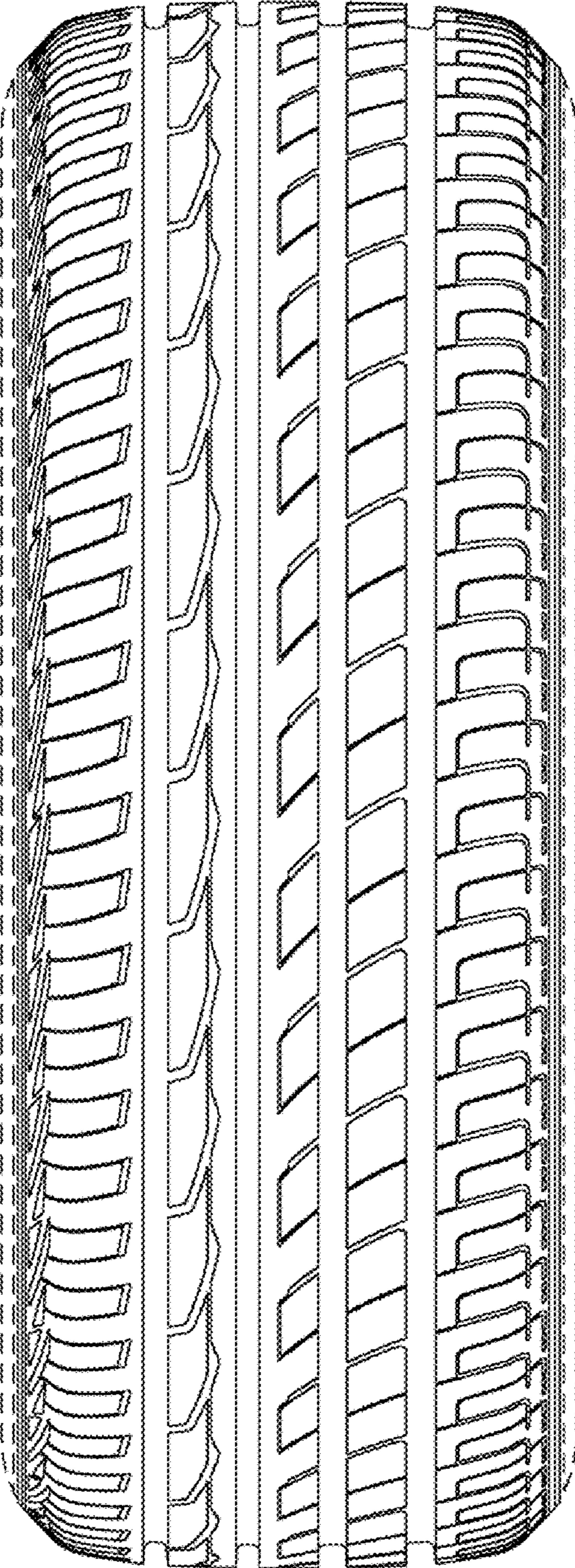


FIG. 4

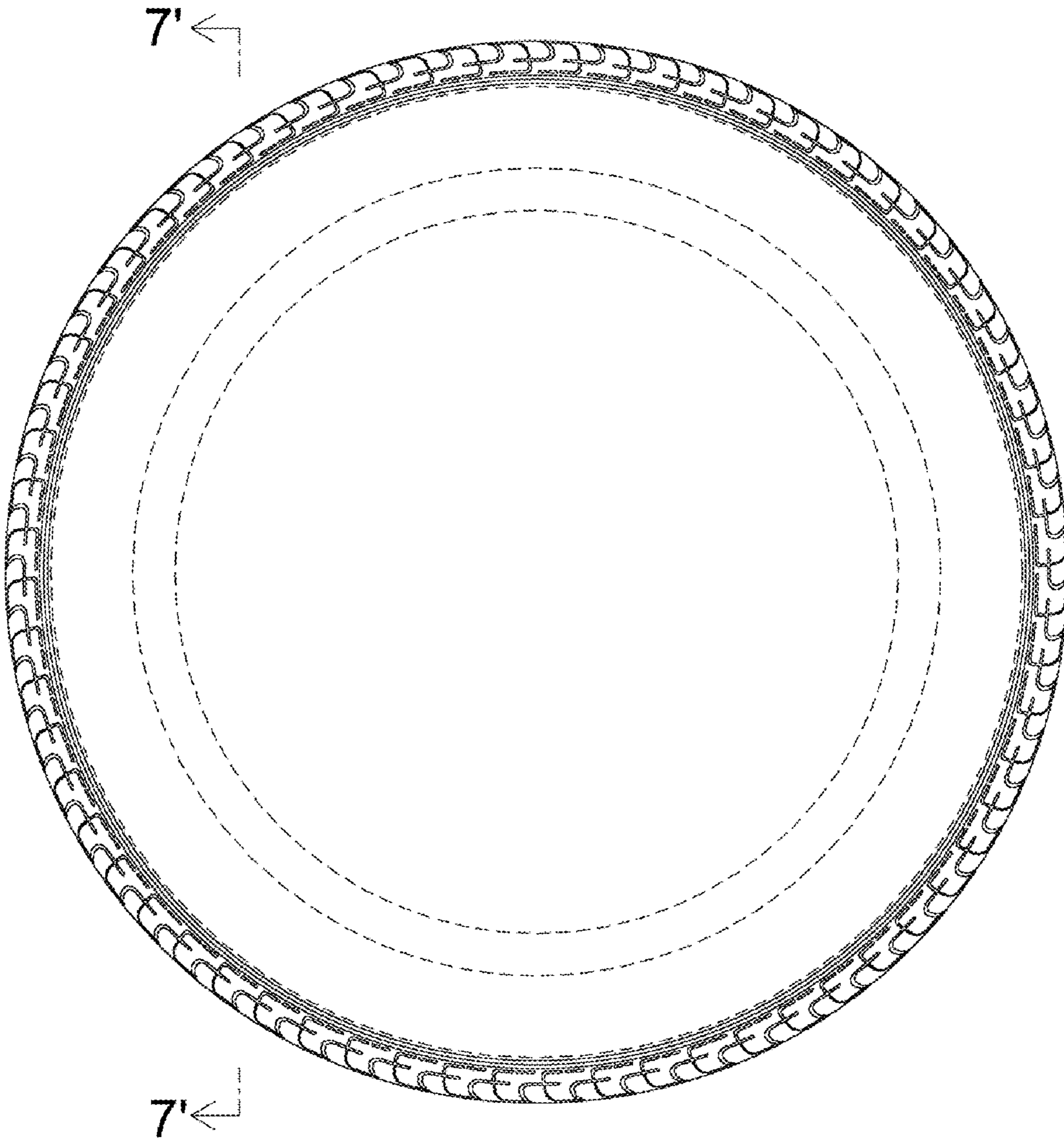


FIG. 5

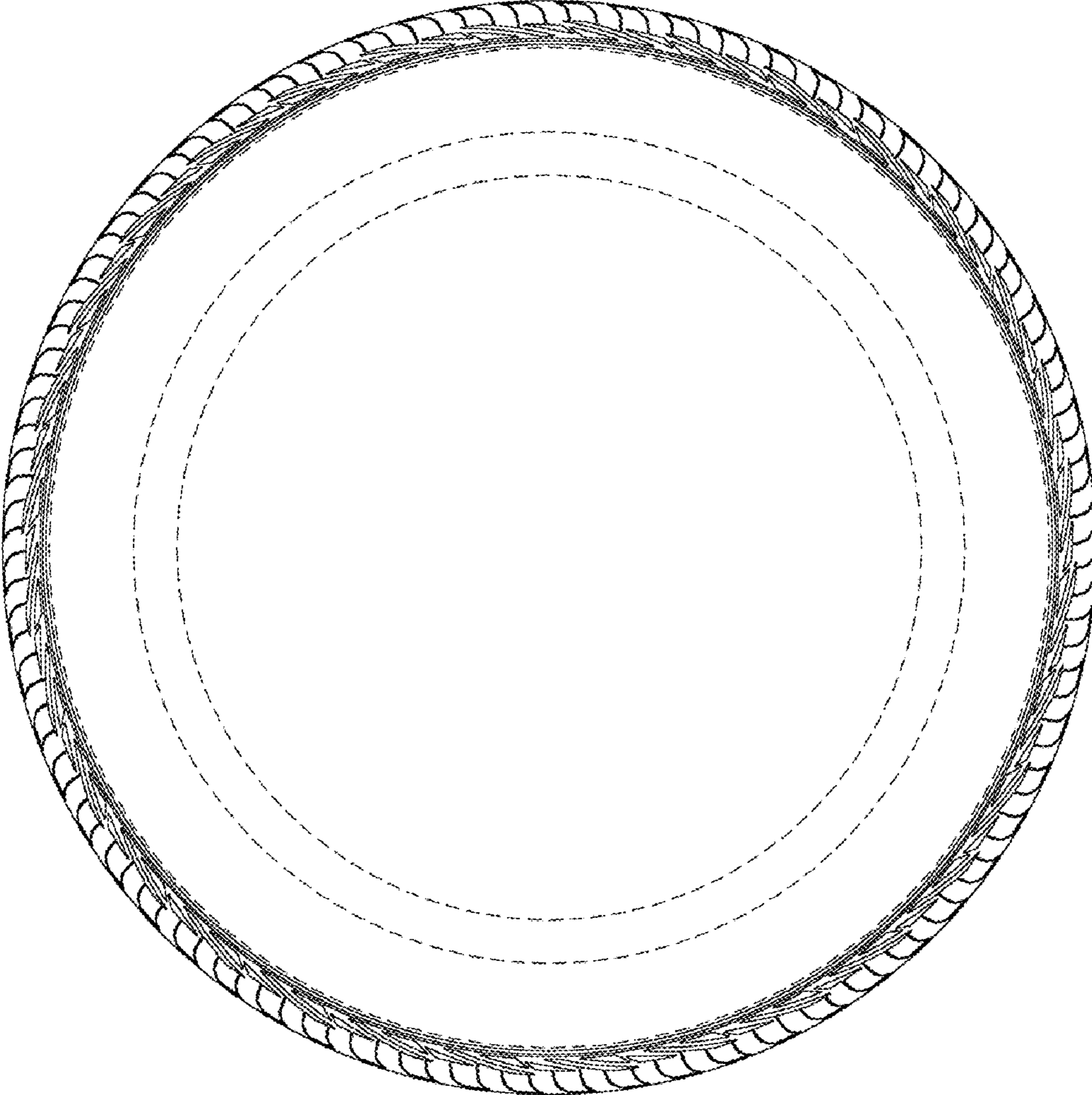


FIG. 6

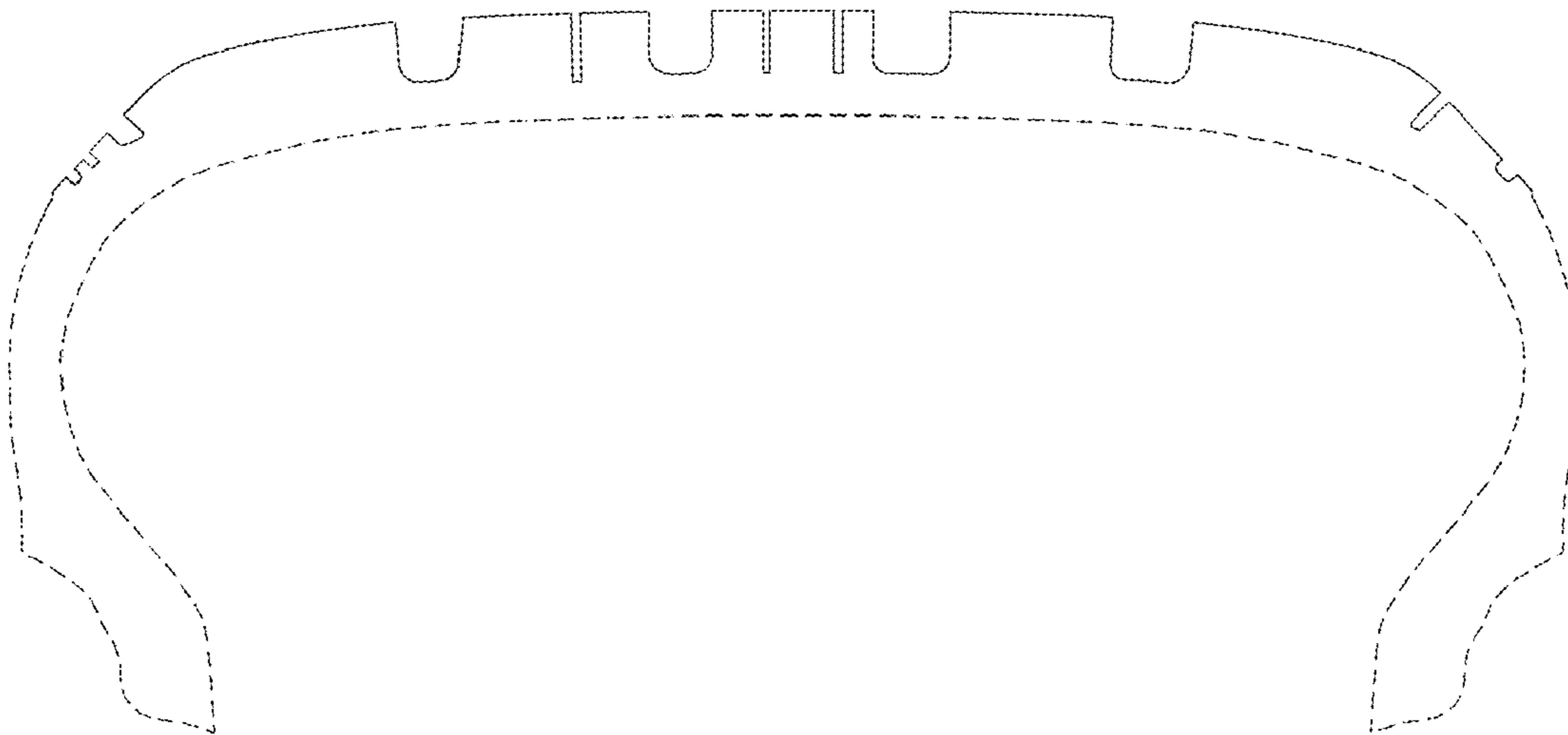


FIG. 7

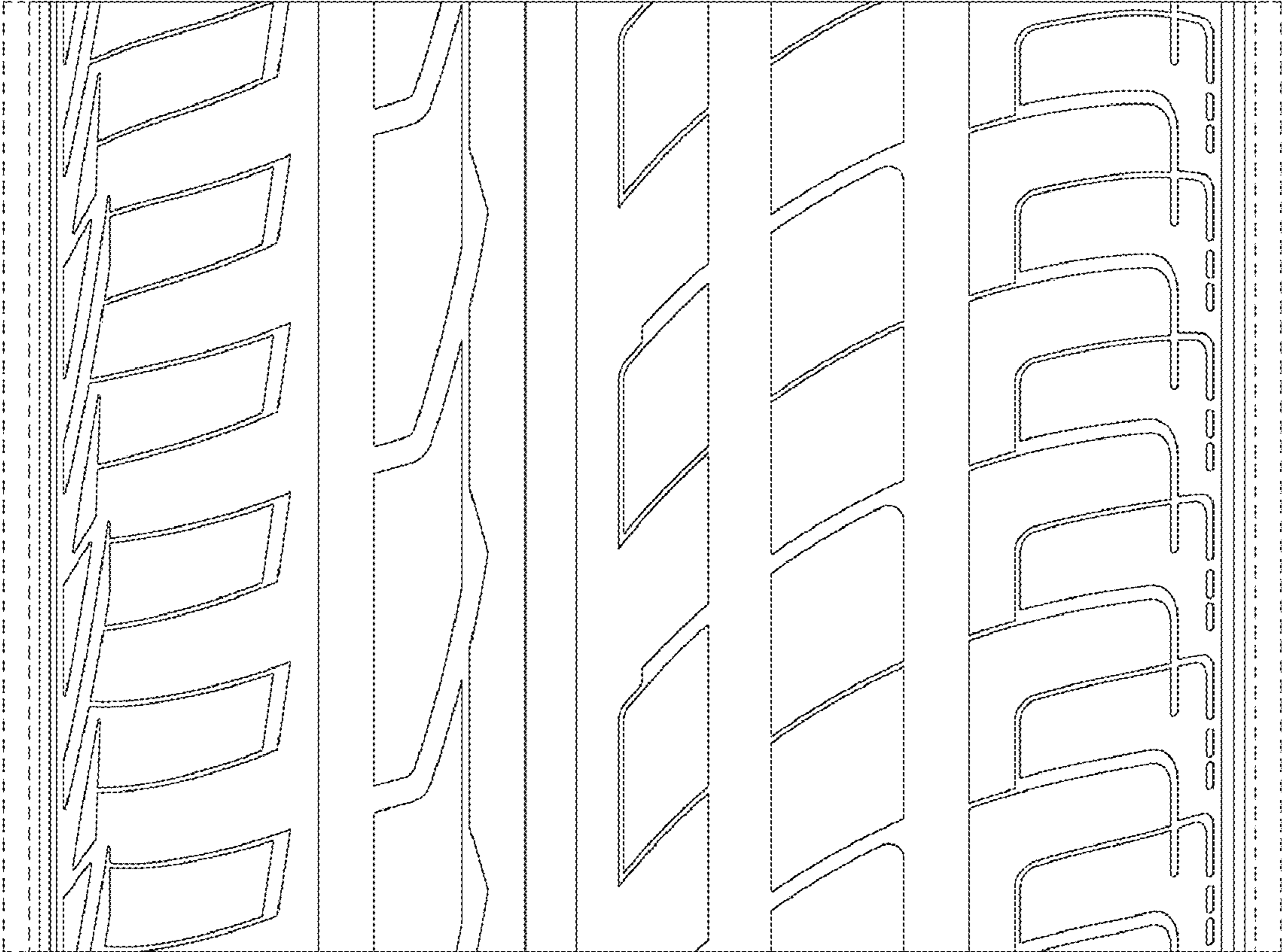


FIG. 8