



US00D644978S

(12) **United States Design Patent**  
**Ruat**

(10) **Patent No.:** **US D644,978 S**

(45) **Date of Patent:** **\*\* \*Sep. 13, 2011**

(54) **ARM-CONNECTOR FOR A WINDSHIELD WIPER SYSTEM**

(75) Inventor: **Oliver Ruat**, Trelaze (FR)

(73) Assignee: **Valeo Systemes d'Essuyage**, La Verriere (FR)

(\*) Notice: This patent is subject to a terminal disclaimer.

(\*\*) Term: **14 Years**

(21) Appl. No.: **29/225,504**

(22) Filed: **Mar. 16, 2005**

(30) **Foreign Application Priority Data**

Sep. 17, 2004 (FR) ..... 04 4417

(51) **LOC (9) Cl.** ..... **12-06**

(52) **U.S. Cl.** ..... **D12/220**

(58) **Field of Classification Search** ..... D12/219-220;  
15/250.31-250.33, 250.351, 250.38, 250.4,  
15/250.41-250.44, 250.201, 250.451-250.458,  
15/250.48, 250.04, 250.07  
See application file for complete search history.

(56) **References Cited**

**U.S. PATENT DOCUMENTS**

D152,340 S \* 1/1949 Krohm ..... D12/220  
D178,840 S \* 9/1956 Krohm ..... D12/220  
D297,224 S \* 8/1988 Kock ..... D12/220  
D345,537 S \* 3/1994 Bianco et al. .... D12/220  
D345,538 S \* 3/1994 Bianco et al. .... D12/220

D430,097 S \* 8/2000 Breesch et al. .... D12/219  
D431,223 S \* 9/2000 Breesch et al. .... D12/219  
D431,520 S \* 10/2000 Breesch et al. .... D12/219  
D432,072 S \* 10/2000 Breesch et al. .... D12/219  
D445,754 S \* 7/2001 Benoit ..... D12/219  
D462,044 S \* 8/2002 Gfatter et al. .... D12/219  
D512,362 S \* 12/2005 Breesch et al. .... D12/219

\* cited by examiner

*Primary Examiner* — Stacia Cadmus

(74) *Attorney, Agent, or Firm* — Sofer & Haroun LLP

(57) **CLAIM**

I claim the ornamental design for an arm-connector for a windshield wiper system, as shown.

**DESCRIPTION**

FIG. 1 is a plan view of the arm connector for a windshield wiper system showing the new design;

FIG. 2 is a bottom view of the arm connector as shown in FIG. 1, in accordance with the present invention;

FIG. 3 is a back view of the arm connector as shown in FIG. 1, in accordance with the present invention;

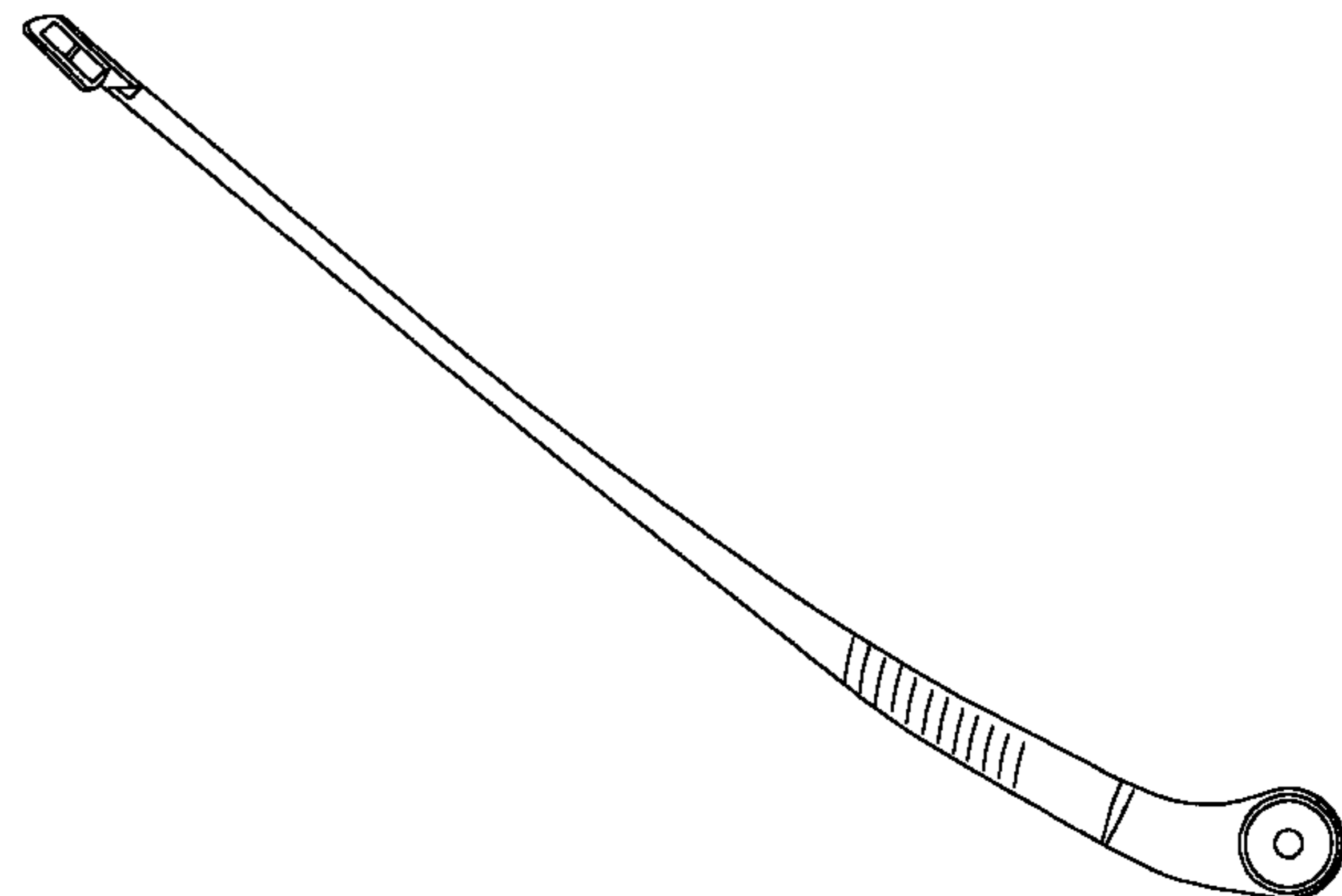
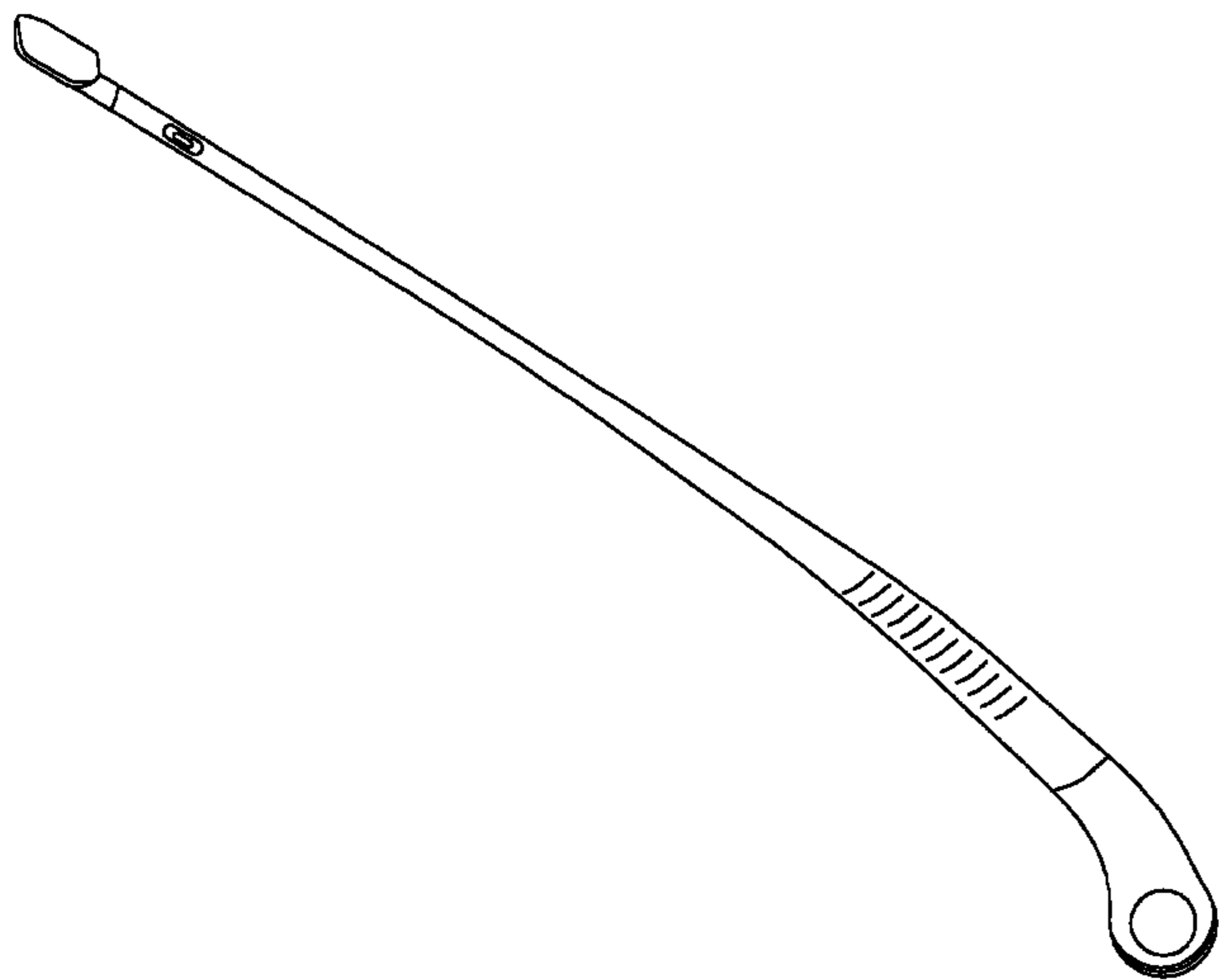
FIG. 4 is a front view of the arm connector as shown in FIG. 1, in accordance with the present invention;

FIG. 5 is an enlarged a left side perspective view of the arm connector as shown in FIG. 1, in accordance with the present invention;

FIG. 6 is an enlarged a right side perspective view of the arm connector as shown in FIG. 1, in accordance with the present invention; and,

FIG. 7 is a top perspective view of the arm connector as shown in FIG. 1, in accordance with the present invention.

**1 Claim, 7 Drawing Sheets**



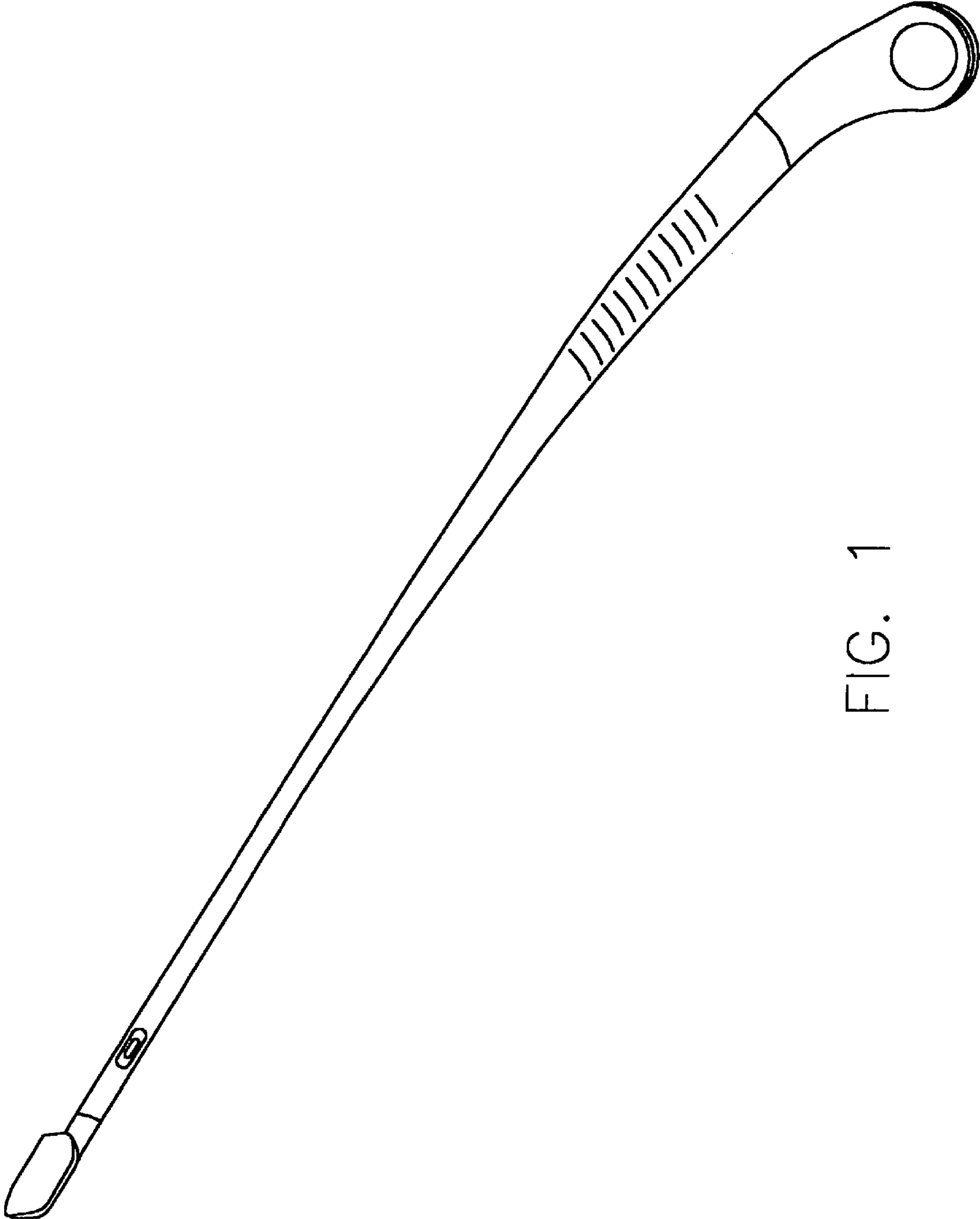


FIG. 1

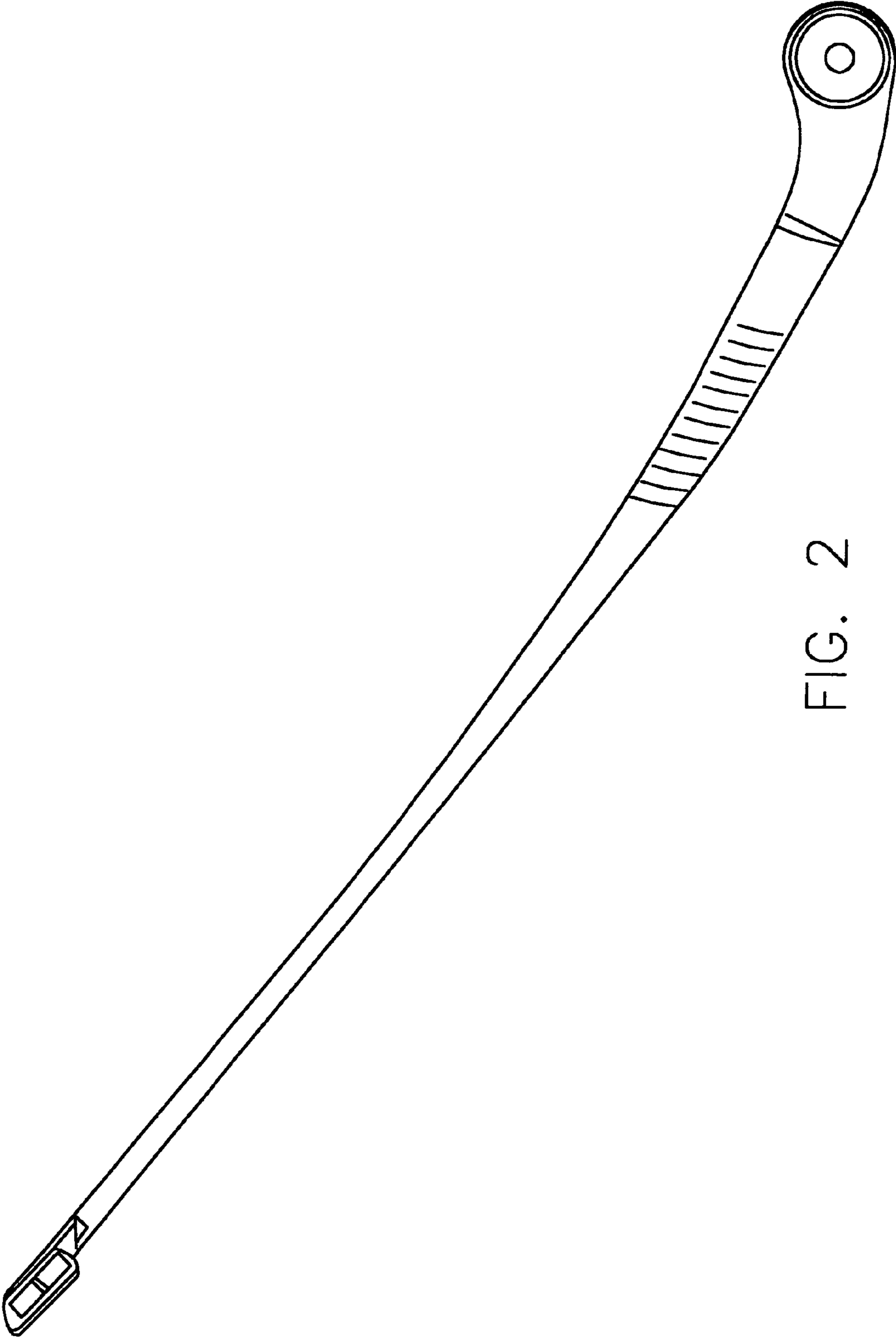


FIG. 2

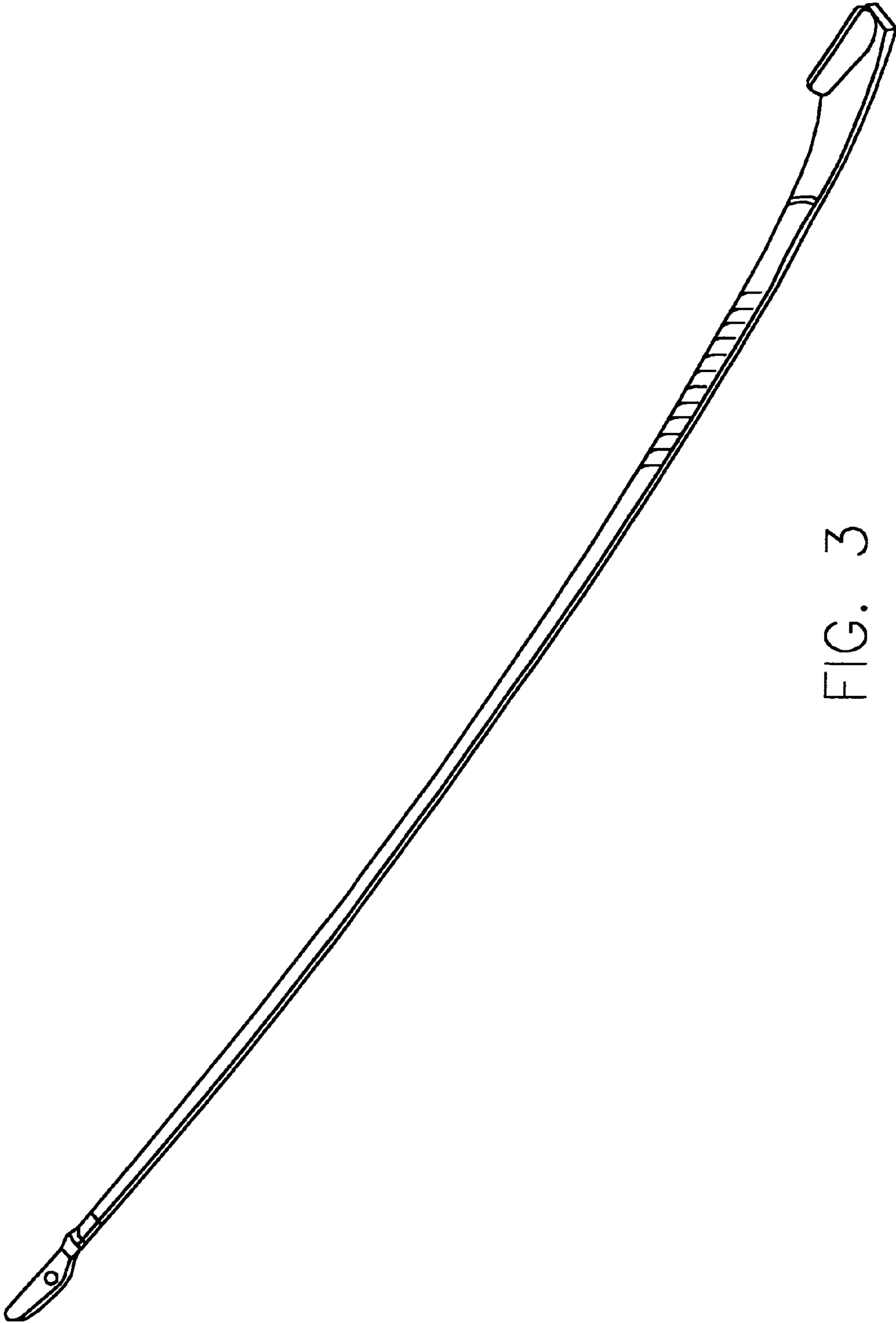


FIG. 3

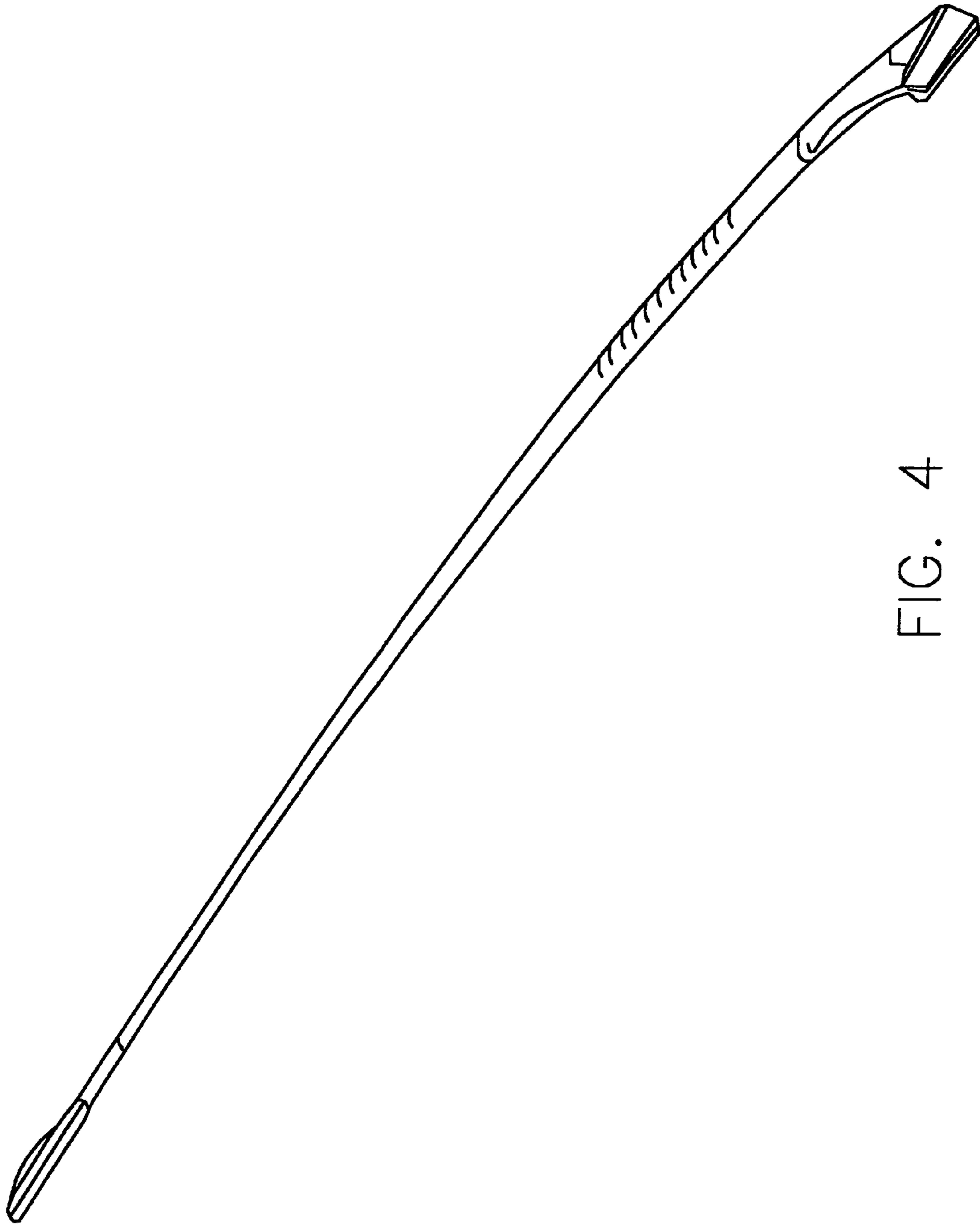


FIG. 4

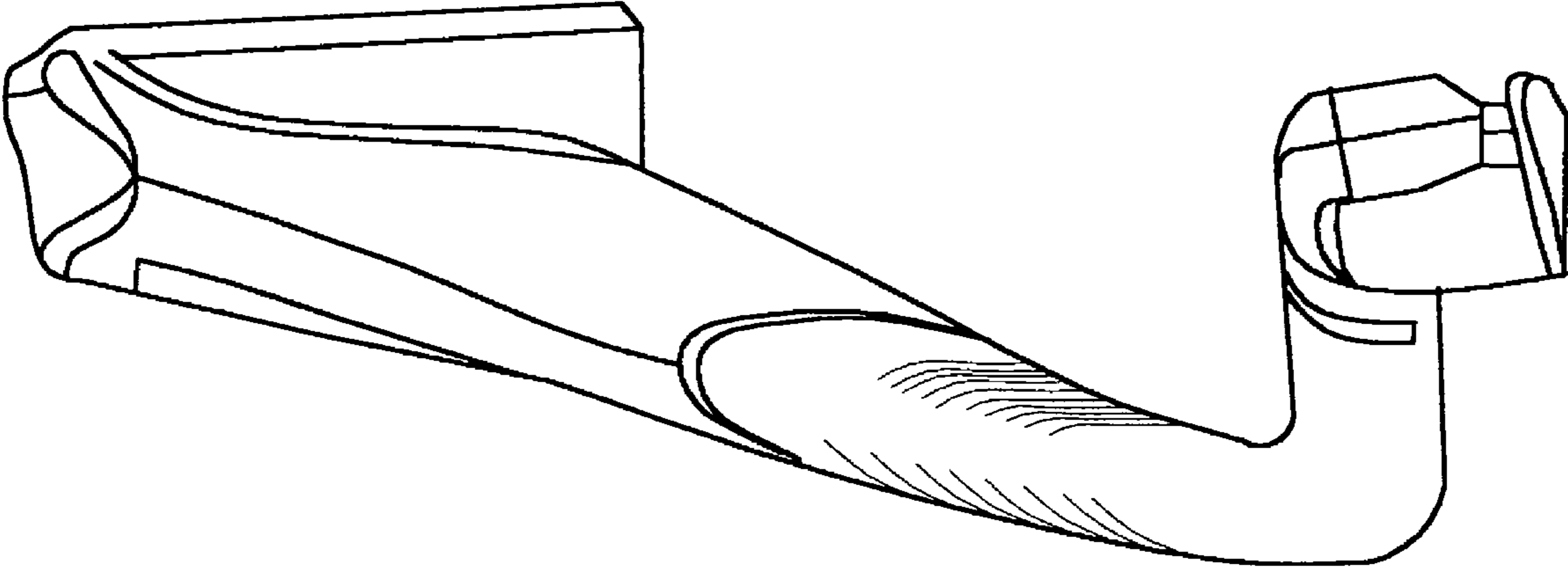


FIG. 5

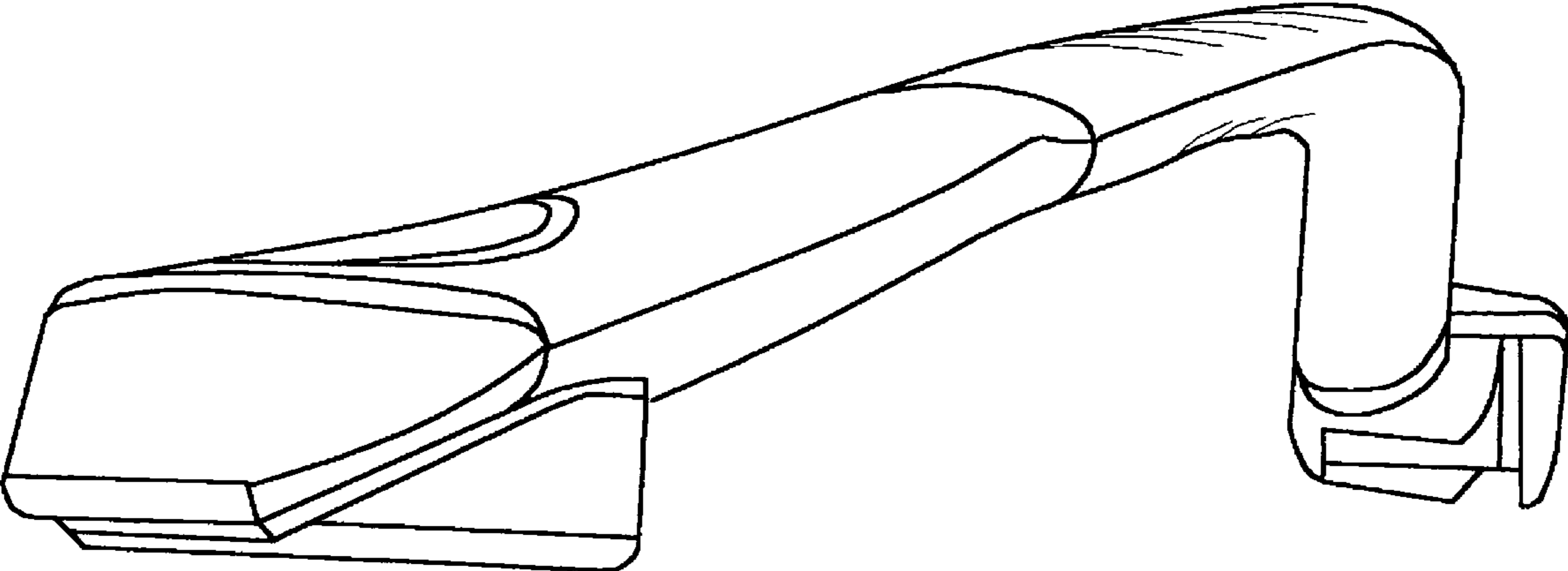


FIG. 6

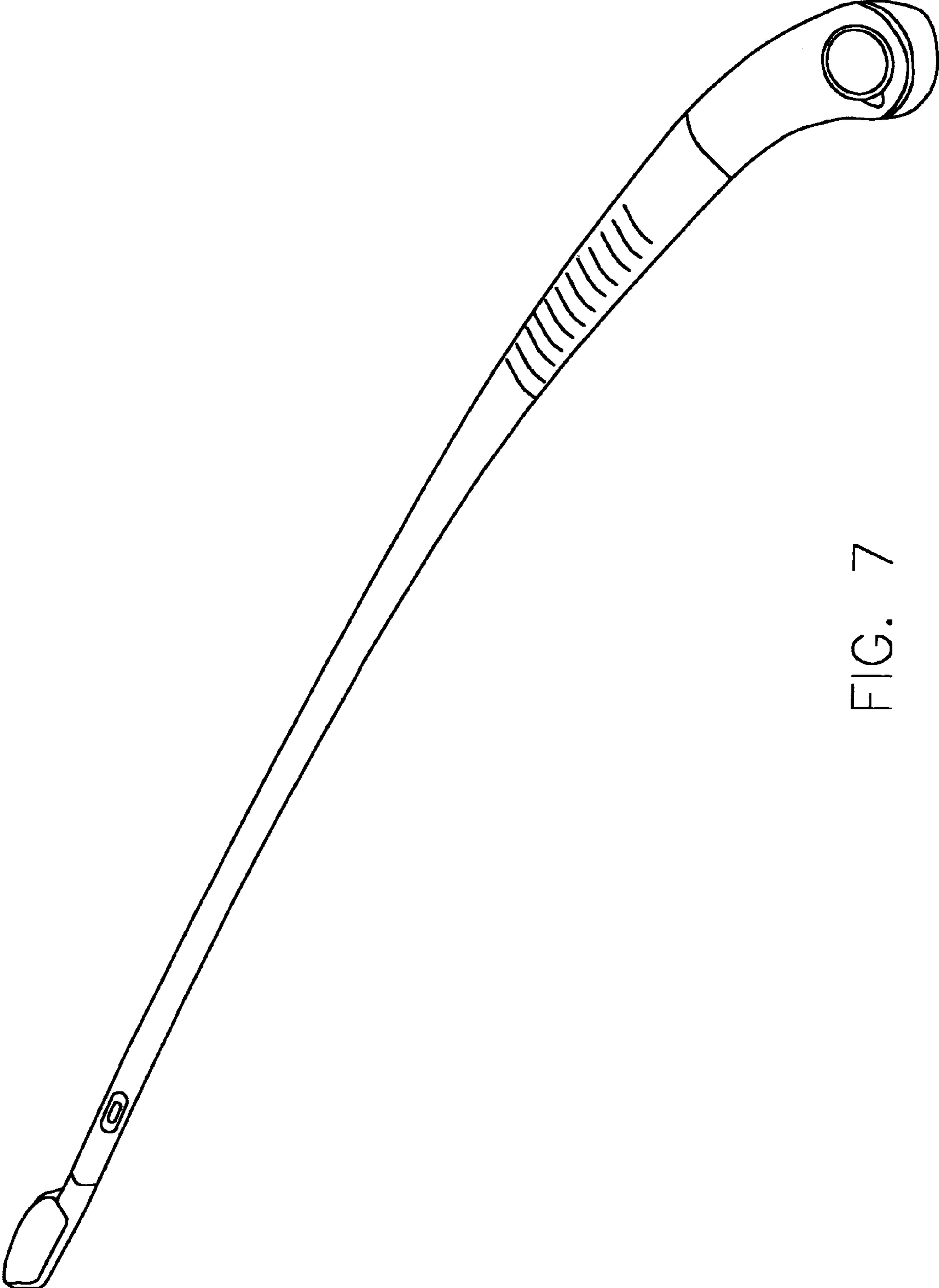


FIG. 7