



US00D644977S

(12) **United States Design Patent**
Juergens et al.

(10) **Patent No.:** **US D644,977 S**

(45) **Date of Patent:** **** Sep. 13, 2011**

(54) **WHEEL OR WHEEL COVER**

(75) Inventors: **Dirk Juergens**, Munich (DE); **Rainer Mueller**, Munich (DE)

(73) Assignee: **Bayerische Motoren Werke Aktiengesellschaft**, Munich (DE)

(**) Term: **14 Years**

(21) Appl. No.: **29/347,965**

(22) Filed: **Aug. 20, 2010**

(30) **Foreign Application Priority Data**

Feb. 22, 2010 (DE) 402010001117

(51) **LOC (9) Cl.** **12-16**

(52) **U.S. Cl.** **D12/211**

(58) **Field of Classification Search** D12/204-213;
301/37.101, 64.101, 65, 64.201
See application file for complete search history.

(56) **References Cited**

U.S. PATENT DOCUMENTS

D432,974 S	10/2000	Jablonski	
D457,478 S *	5/2002	Minamisawa	D12/211
D488,420 S *	4/2004	Murkett et al.	D12/209
D516,002 S *	2/2006	Fahr-Becker	D12/211
D521,438 S *	5/2006	Nordmann	D12/211
D522,434 S *	6/2006	Langer	D12/209
D537,026 S	2/2007	Nordmann	
D542,728 S *	5/2007	Ichinose	D12/211
D558,118 S	12/2007	Hueller	

D584,211 S *	1/2009	Farny	D12/211
D590,319 S *	4/2009	Juergens et al.	D12/211
D590,757 S *	4/2009	Froehlich	D12/209
D594,397 S *	6/2009	Laengerer	D12/211
D594,801 S *	6/2009	Imai	D12/211
D598,834 S	8/2009	Juergens et al.	
D620,871 S *	8/2010	Juergens et al.	D12/211
D621,765 S *	8/2010	Baum	D12/209
D625,675 S *	10/2010	Juergens et al.	D12/209

FOREIGN PATENT DOCUMENTS

DE	M9707122.6	1/1998
EM	000440813-0005	1/2006
EM	000660618-0003	3/2007
EM	000735758-0004	7/2007
EM	001684507-0001	10/2010

* cited by examiner

Primary Examiner — Stacia Cadmus

(74) *Attorney, Agent, or Firm* — Crowell & Moring LLP

(57) **CLAIM**

The ornamental design for a wheel or wheel cover, as shown and described.

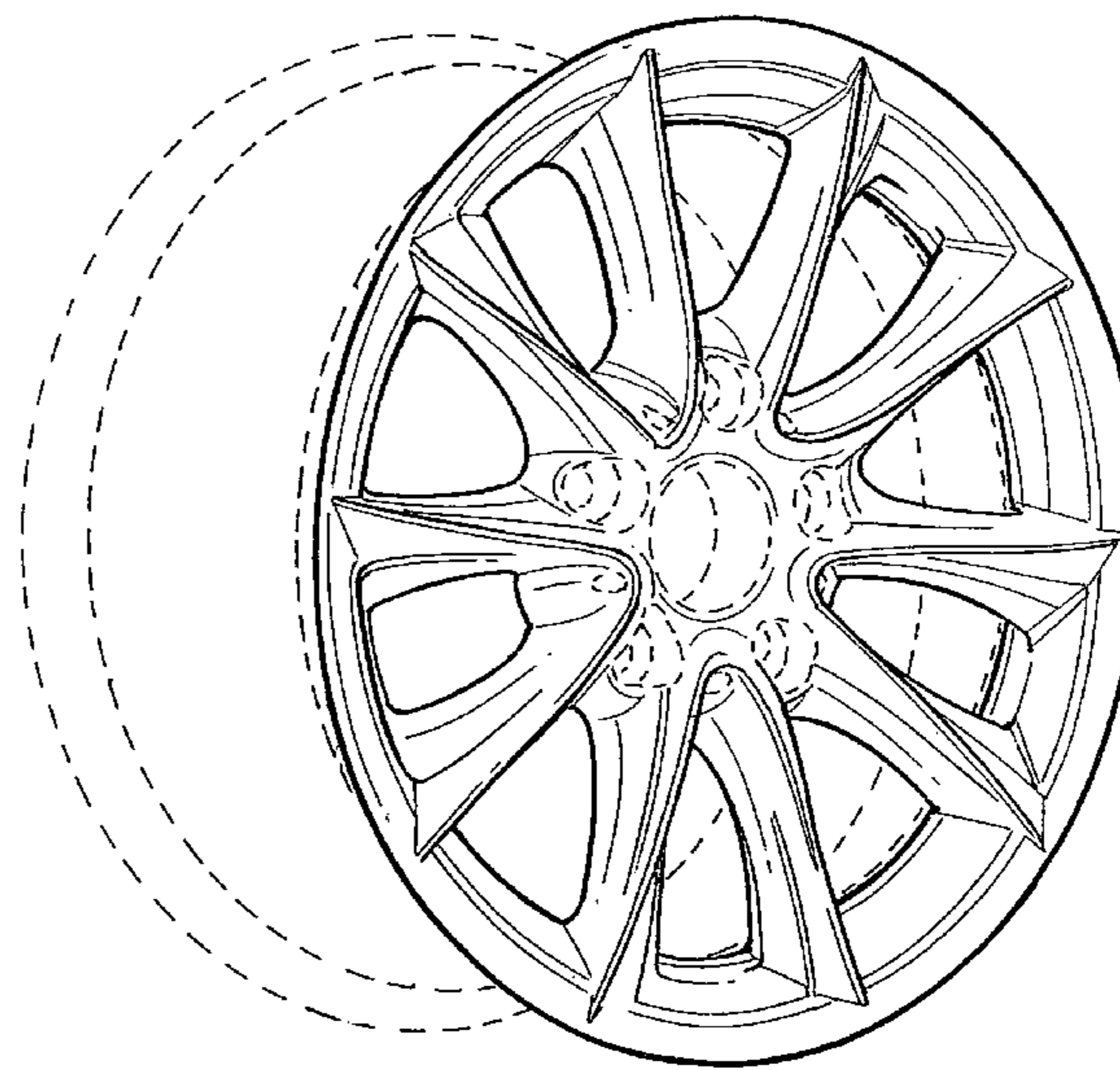
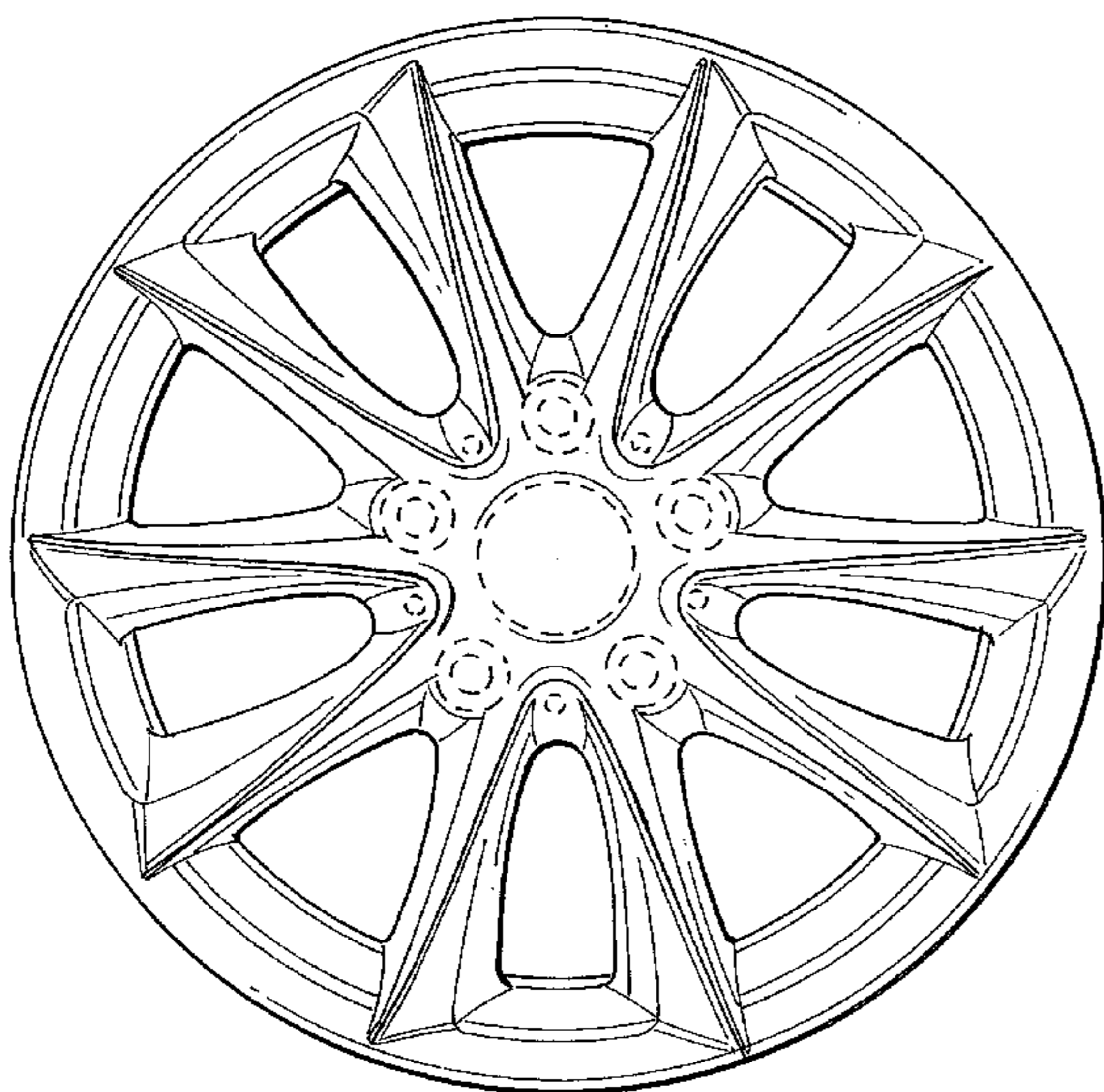
DESCRIPTION

FIG. 1 is a front view of a wheel or wheel cover according to our design; and,

FIG. 2 is a perspective view thereof.

The broken line showing of the rear of the wheel and the bolt holes and the center hole in the central hub area is included for the purpose of illustrating environment and forms no part of the claimed design.

1 Claim, 1 Drawing Sheet



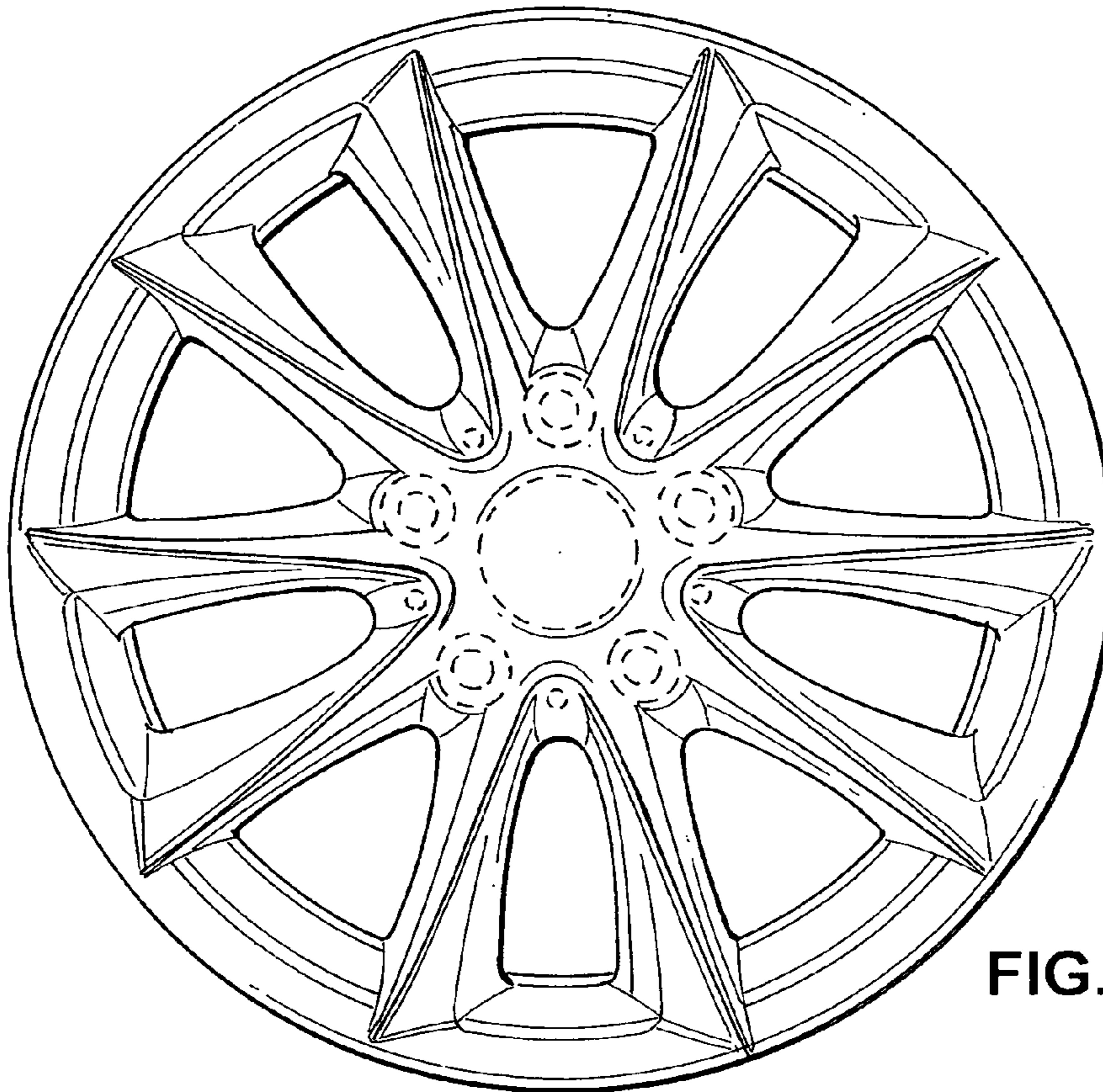


FIG. 1

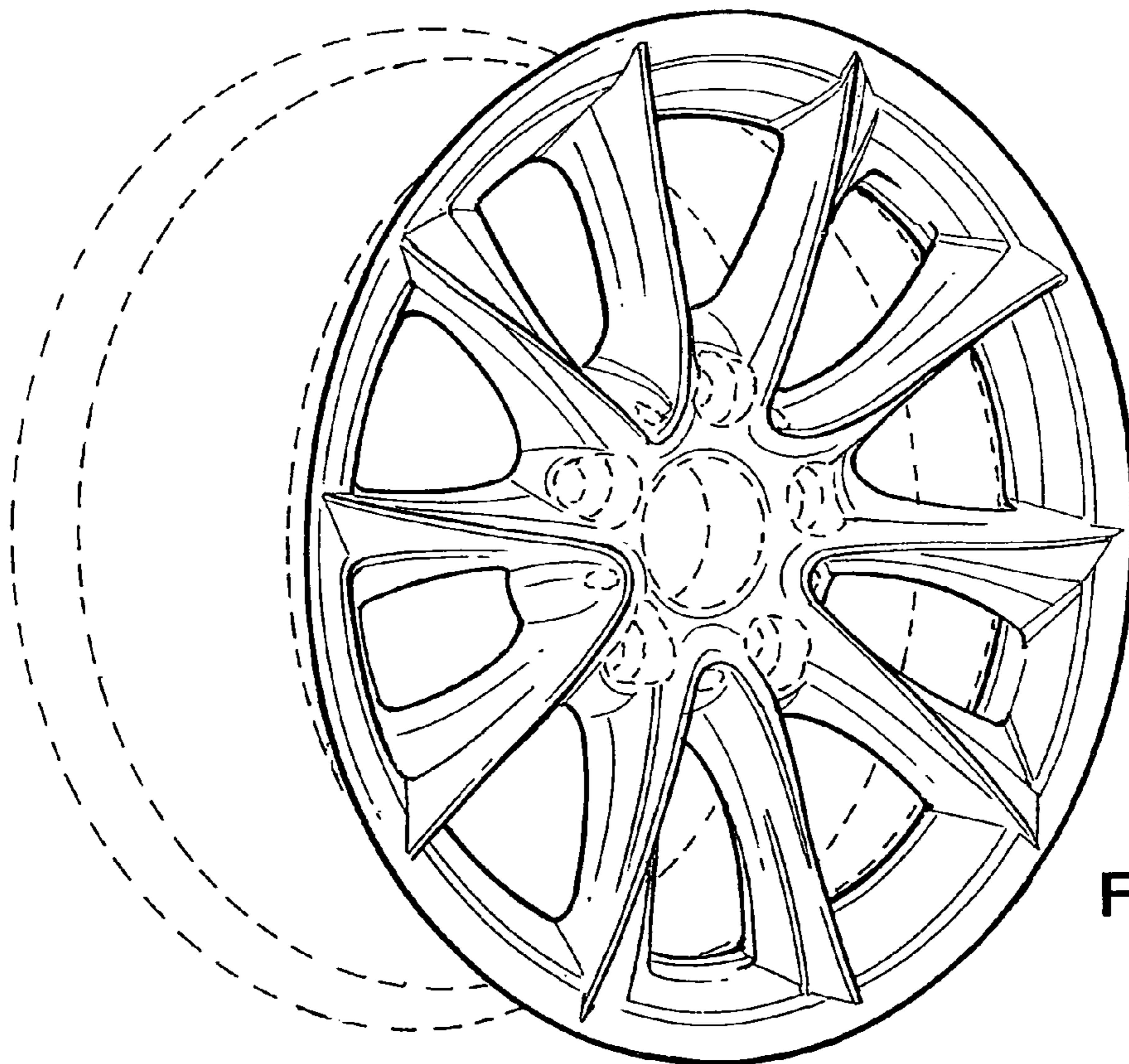


FIG. 2