



US00D644976S

(12) **United States Design Patent**
Nissl

(10) **Patent No.:** **US D644,976 S**

(45) **Date of Patent:** **** Sep. 13, 2011**

(54) **WHEEL OR WHEEL COVER**

(75) **Inventor:** **Florian Dieter Nissl, Munich (DE)**

(73) **Assignee:** **Bayerische Motoren Werke Aktiengesellschaft, Munich (DE)**

(**) **Term:** **14 Years**

(21) **Appl. No.:** **29/347,271**

(22) **Filed:** **Nov. 19, 2009**

(30) **Foreign Application Priority Data**

May 20, 2009 (DE) 402009002602

(51) **LOC (9) Cl.** **12-16**

(52) **U.S. Cl.** **D12/209**

(58) **Field of Classification Search** D12/204-213;
301/37.101, 64.101, 65, 64.201
See application file for complete search history.

(56) **References Cited**

U.S. PATENT DOCUMENTS

D460,942 S	*	7/2002	Lee	D12/211
D483,714 S		12/2003	Warming		
D486,111 S	*	2/2004	Weidhase	D12/211
D499,685 S		12/2004	Schaefers		
D502,677 S		3/2005	Baum		
D517,970 S		3/2006	Pollmann		
D523,799 S		6/2006	Ianniello		
D528,061 S	*	9/2006	Saridakis et al.	D12/211
D534,473 S	*	1/2007	Bernoni	D12/211
D553,069 S	*	10/2007	Ettensberger	D12/211
D580,840 S		11/2008	Elmitt		
D590,313 S		4/2009	Baum		

D590,314 S		4/2009	Hettler		
D597,014 S	*	7/2009	Nissl	D12/211
D597,464 S	*	8/2009	Truebsbach	D12/211
D608,710 S		1/2010	Nissl		
D625,676 S	*	10/2010	Baum	D12/209

FOREIGN PATENT DOCUMENTS

DE	40202745.0	7/2002
EM	000141791-0004	6/2004
EM	000106513-0004	12/2004
EM	000330774-0005	6/2005
EM	000398052-0003	8/2006
EM	000743372-0004	3/2008
EM	000863055-0001	3/2008
EM	000871843-0001	3/2008
EM	001023915-0001	10/2008
EM	000936281-0002	11/2009
EM	001110902-0001	12/2009

* cited by examiner

Primary Examiner — Stacia Cadmus

(74) *Attorney, Agent, or Firm* — Crowell & Moring LLP

(57) **CLAIM**

The ornamental design for a wheel or wheel cover, as shown and described.

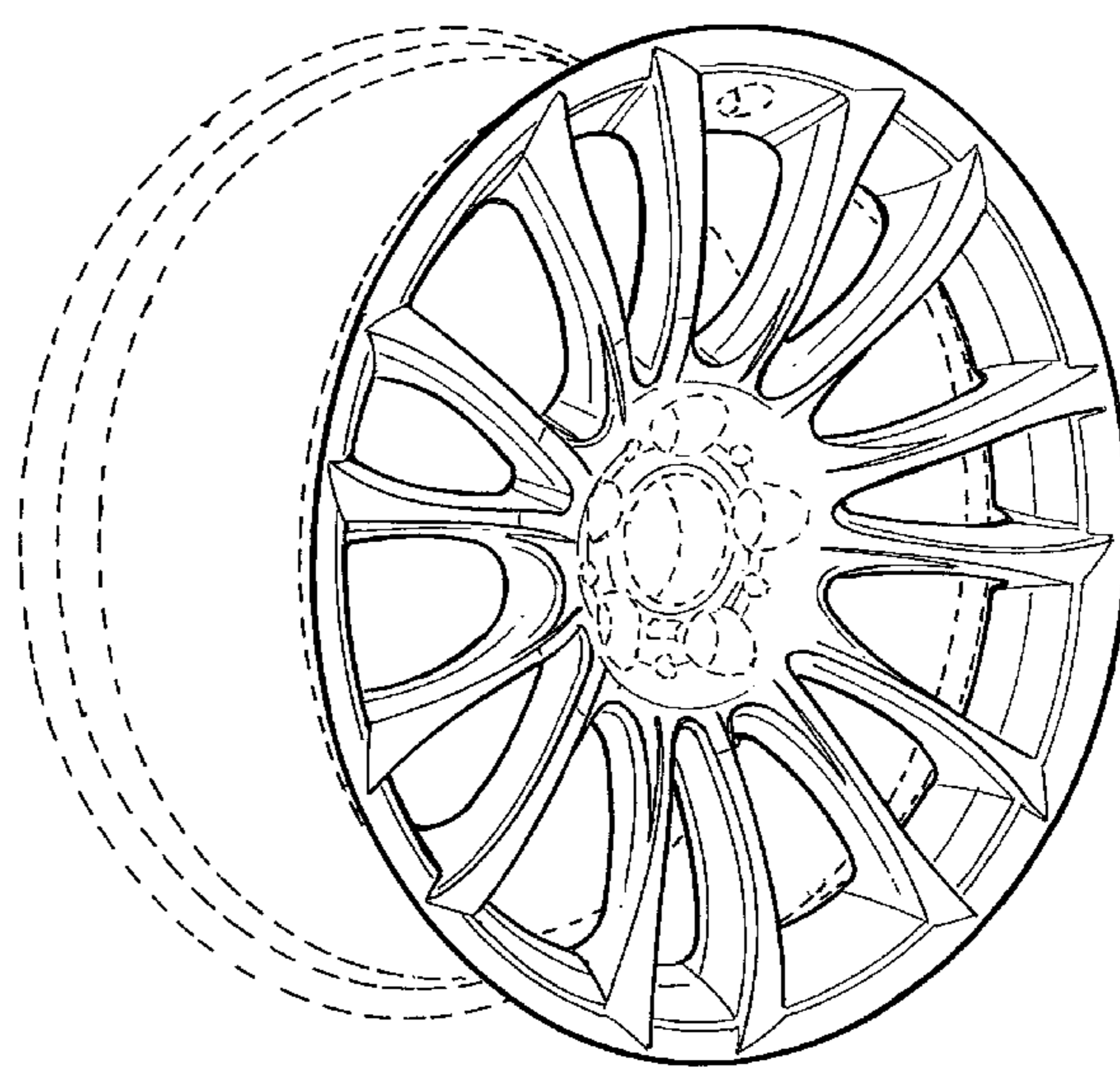
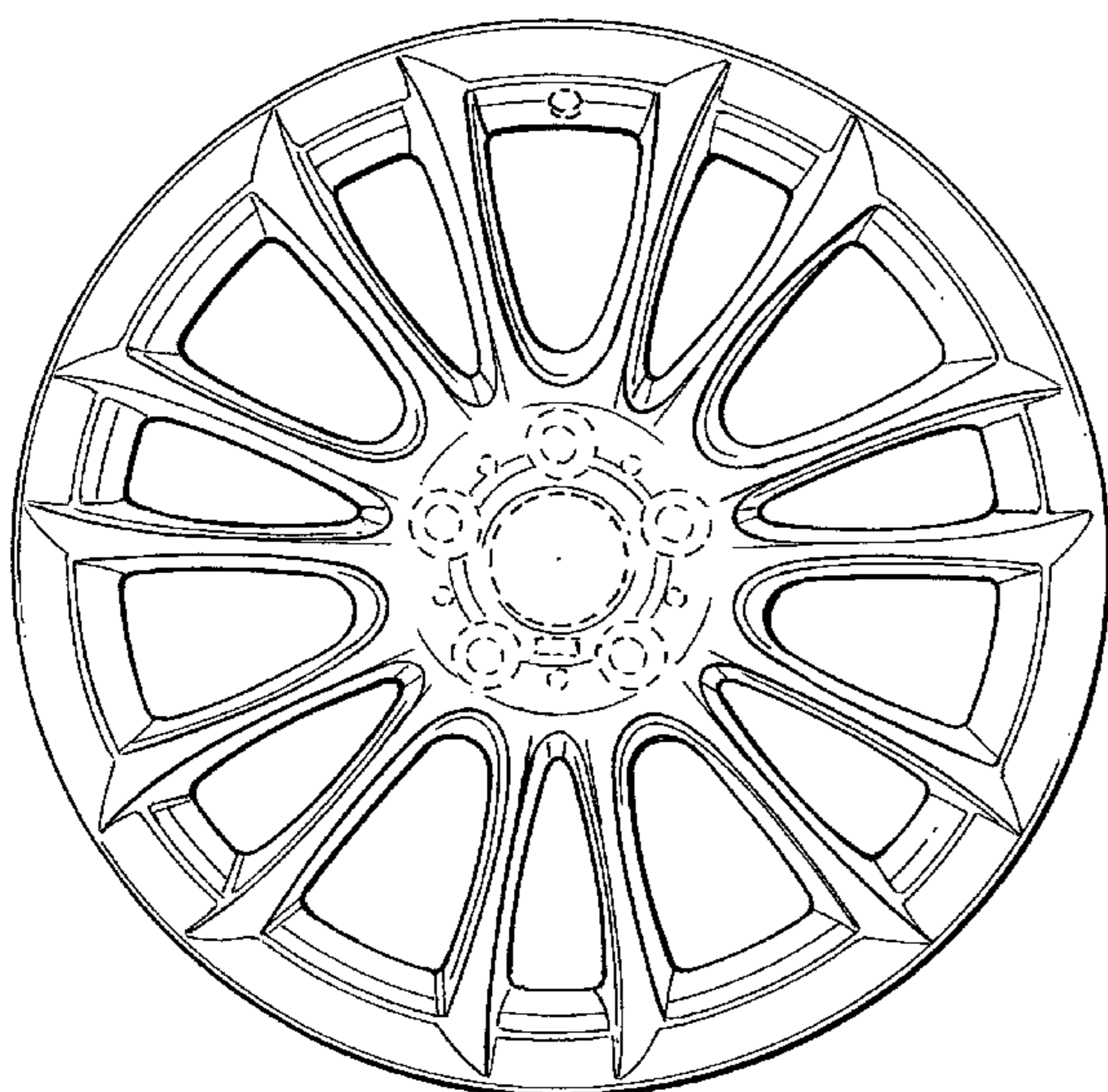
DESCRIPTION

FIG. 1 is a front view of a wheel or wheel cover according to my design; and,

FIG. 2 is a perspective view thereof.

The broken line showing of the rear of the wheel, the valve stem hole, the bolt holes and the center hole in the central hub area is included for the purpose of illustrating environment and forms no part of the claimed design.

1 Claim, 1 Drawing Sheet



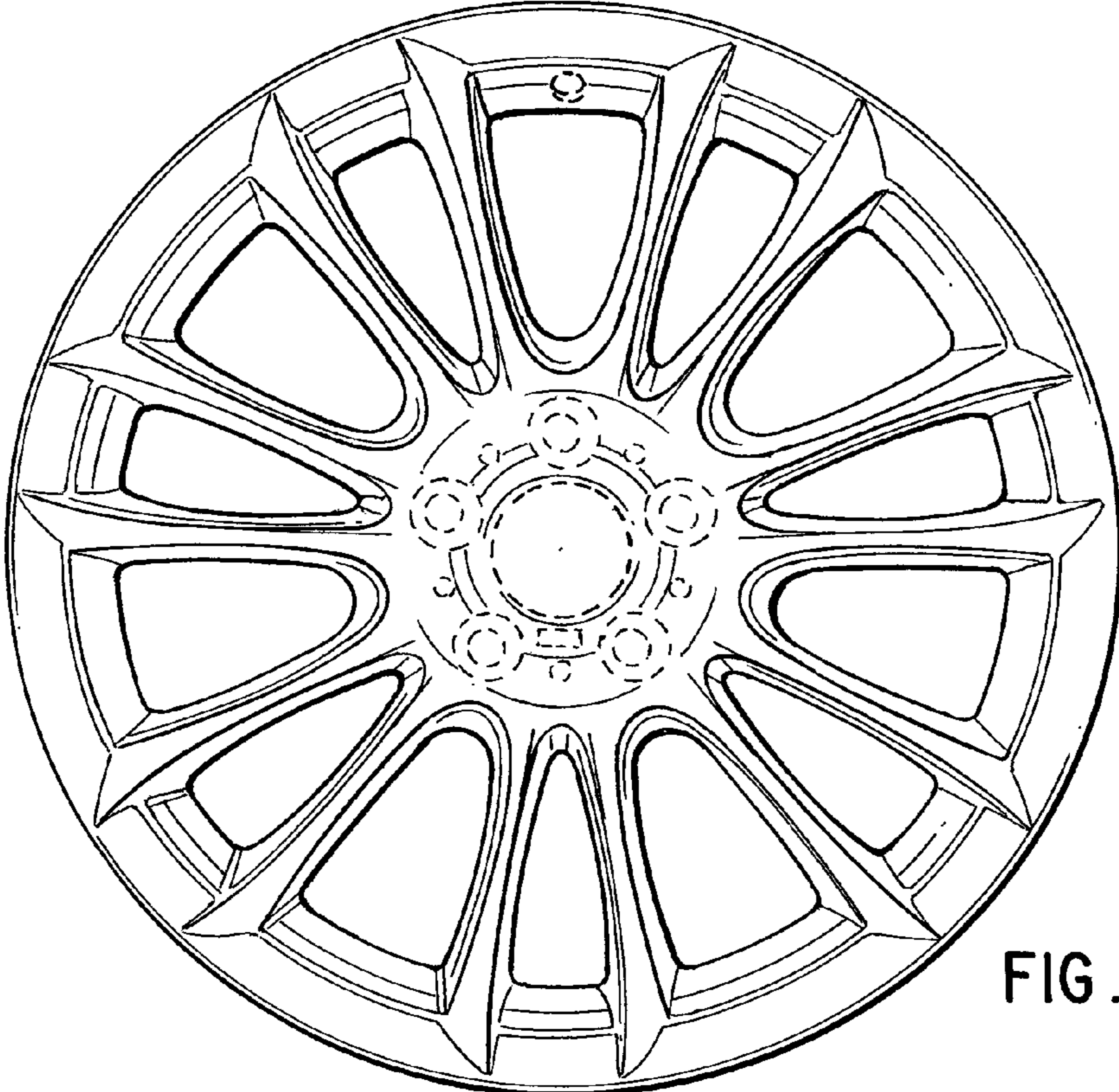


FIG. 1

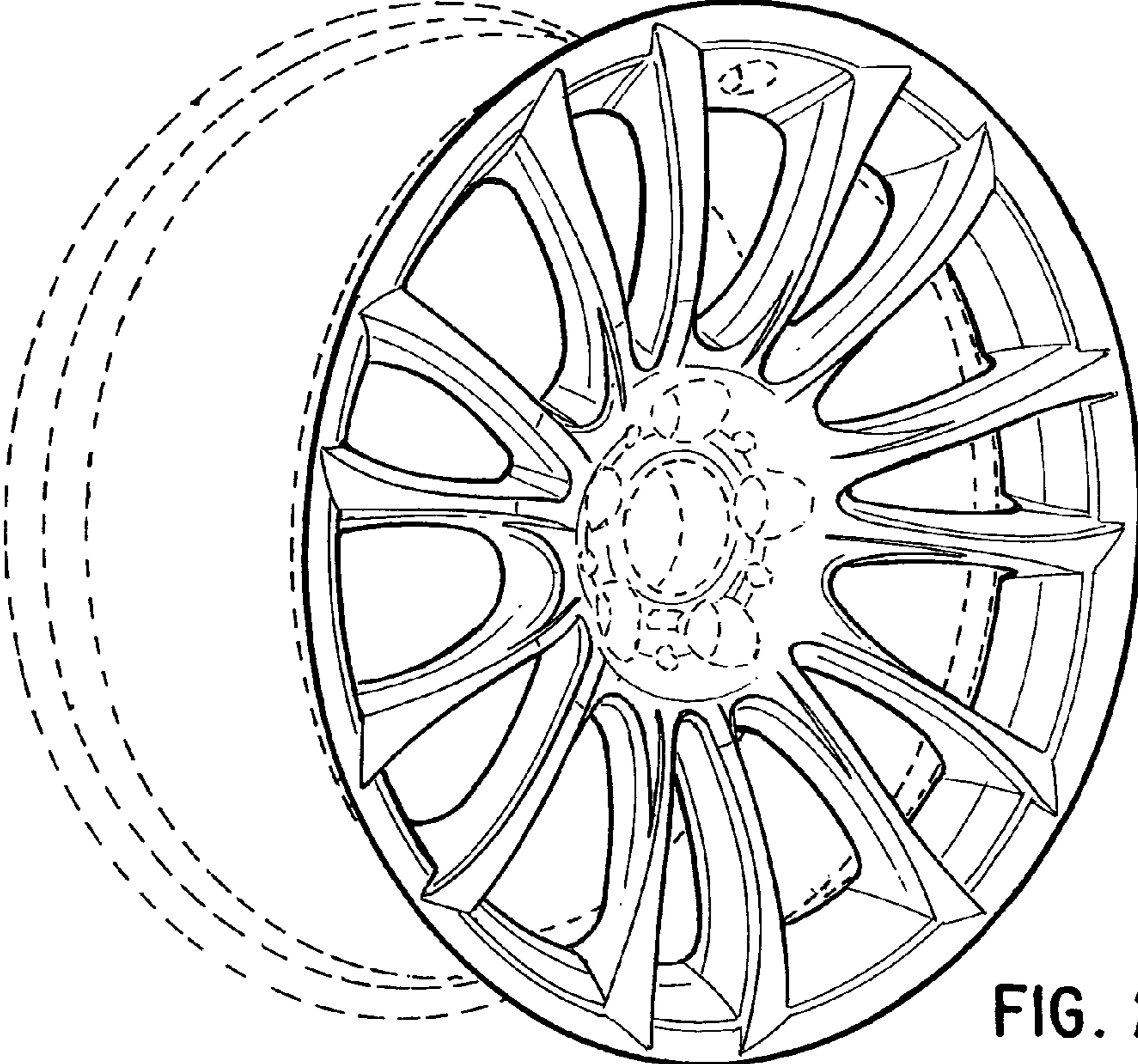


FIG. 2