



US00D644973S

(12) **United States Design Patent**
Miyawaki

(10) **Patent No.:** **US D644,973 S**

(45) **Date of Patent:** **** Sep. 13, 2011**

(54) **NUMBER PLATE FRAME FOR CAMERA INSTALLATION**

D578,049 S * 10/2008 Son D12/193
D596,545 S * 7/2009 Son D12/193
D623,105 S * 9/2010 Aneiros D12/193

(75) Inventor: **Masayuki Miyawaki**, Kanagawa (JP)

* cited by examiner

(73) Assignee: **Clarion Co., Ltd.**, Saitama (JP)

Primary Examiner — Stacia Cadmus

(**) Term: **14 Years**

(74) *Attorney, Agent, or Firm* — Scully, Scott, Murphy & Presser, P.C.

(21) Appl. No.: **29/390,695**

(57) **CLAIM**

(22) Filed: **Apr. 28, 2011**

The ornamental design for a number plate frame for camera installation, as shown and described.

(30) **Foreign Application Priority Data**

DESCRIPTION

Oct. 28, 2010 (JP) 2010-25949

(51) **LOC (9) Cl.** **12-16**

(52) **U.S. Cl.** **D12/193**

(58) **Field of Classification Search** D12/193;
D6/300-302, 310-314; 40/200-204, 207-214;
D20/13; 348/148, 373

See application file for complete search history.

FIG. 1 is a front perspective view of a number plate frame for camera installation showing my new design;
FIG. 2 is a rear perspective view thereof;
FIG. 3 is a front view thereof;
FIG. 4 is a rear view thereof;
FIG. 5 is a left side view thereof;
FIG. 6 is a right side view thereof;
FIG. 7 is a top view thereof;
FIG. 8 is a bottom view thereof; and,
FIG. 9 is a front perspective view showing the number plate frame for camera installation in use with a camera and license plate.

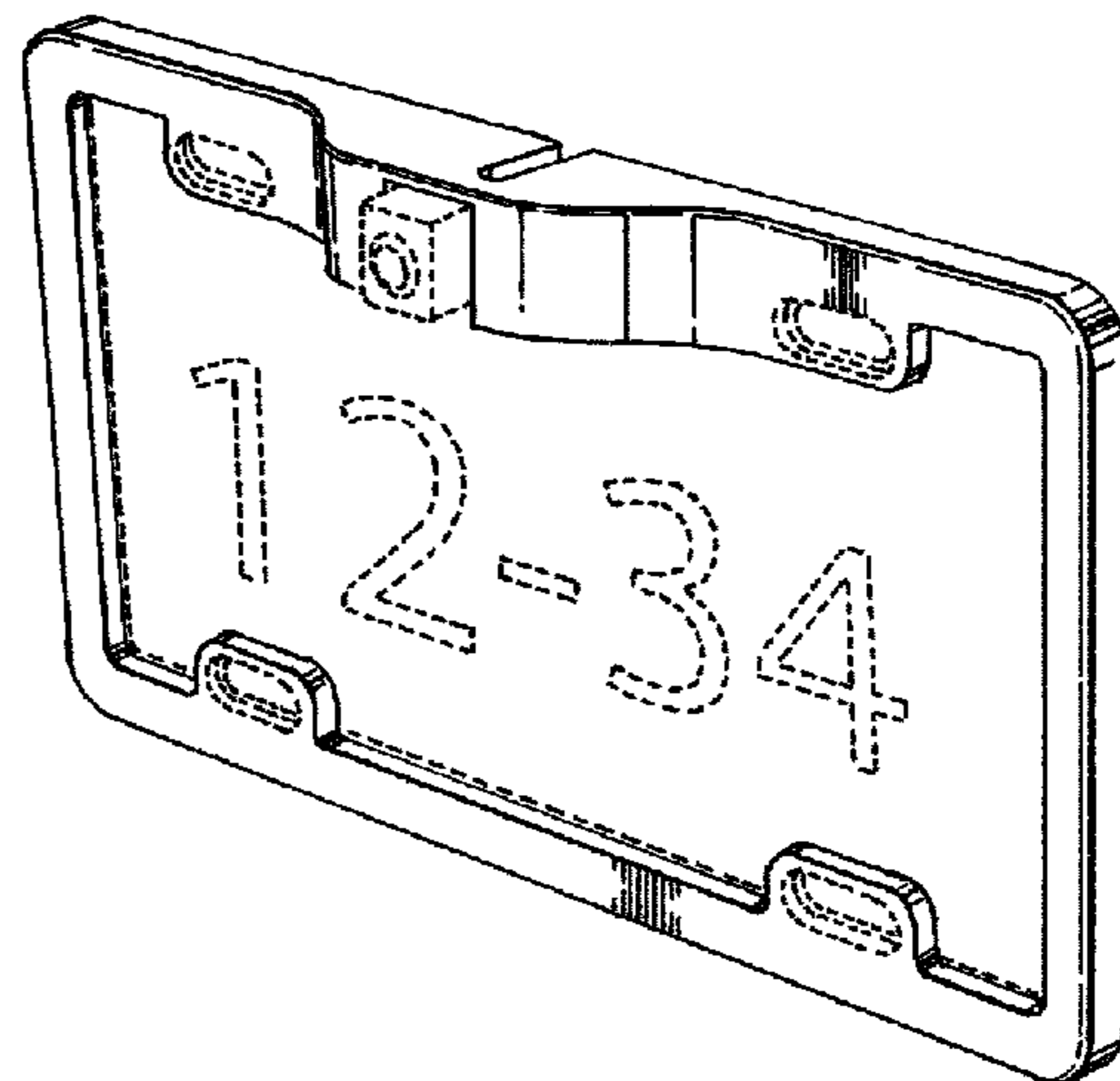
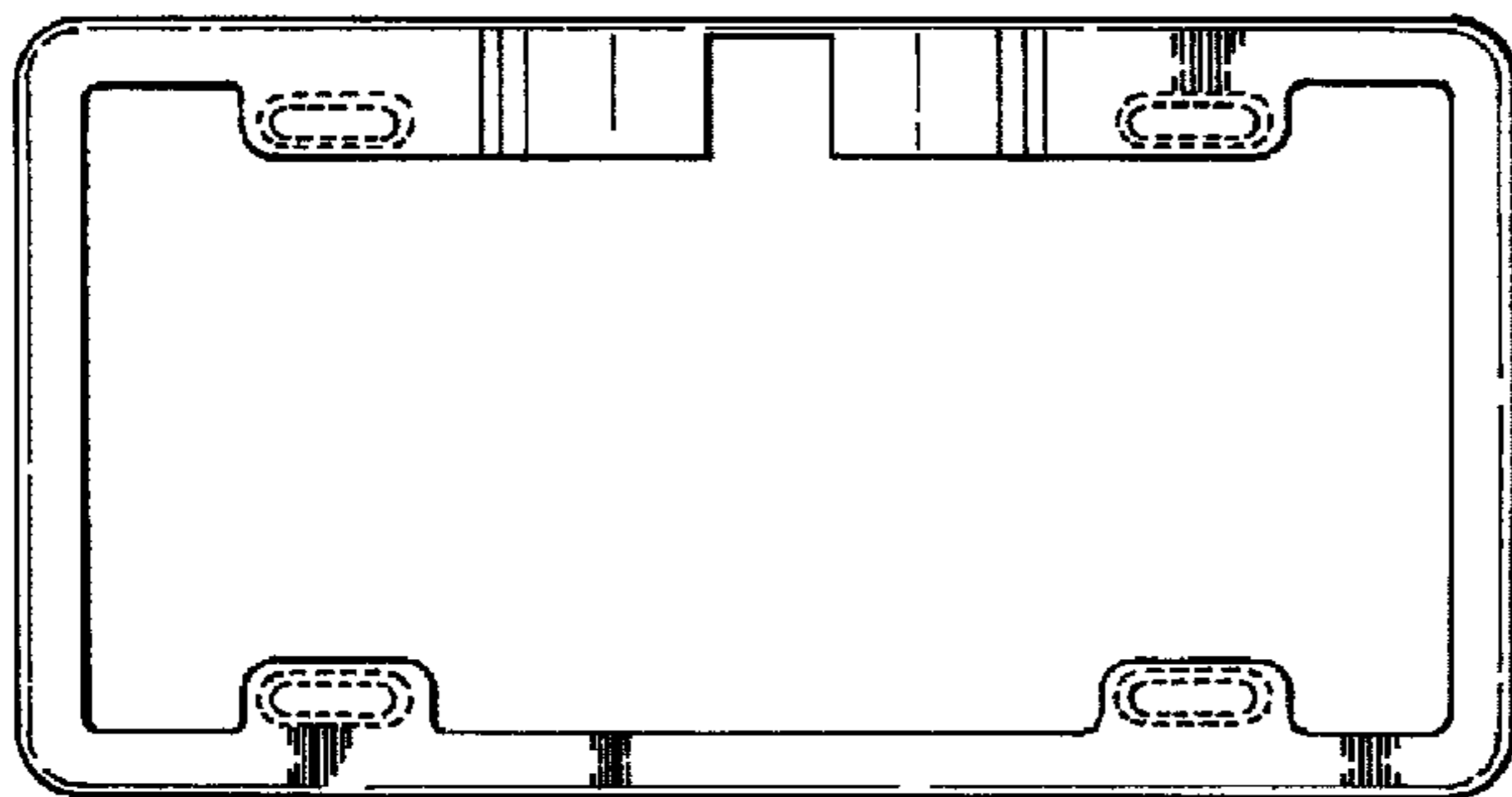
(56) **References Cited**

U.S. PATENT DOCUMENTS

D274,807 S * 7/1984 Stansbury et al. D12/193
5,012,602 A * 5/1991 Storey 40/201
D411,499 S * 6/1999 Porter D12/193
D496,312 S * 9/2004 Sybilrud et al. D12/193
D516,483 S * 3/2006 Eidsmore D12/193
D537,765 S * 3/2007 Porter D12/193

The portions indicated in broken lines are for illustrative purposes only and form no part of the claimed design.

1 Claim, 4 Drawing Sheets



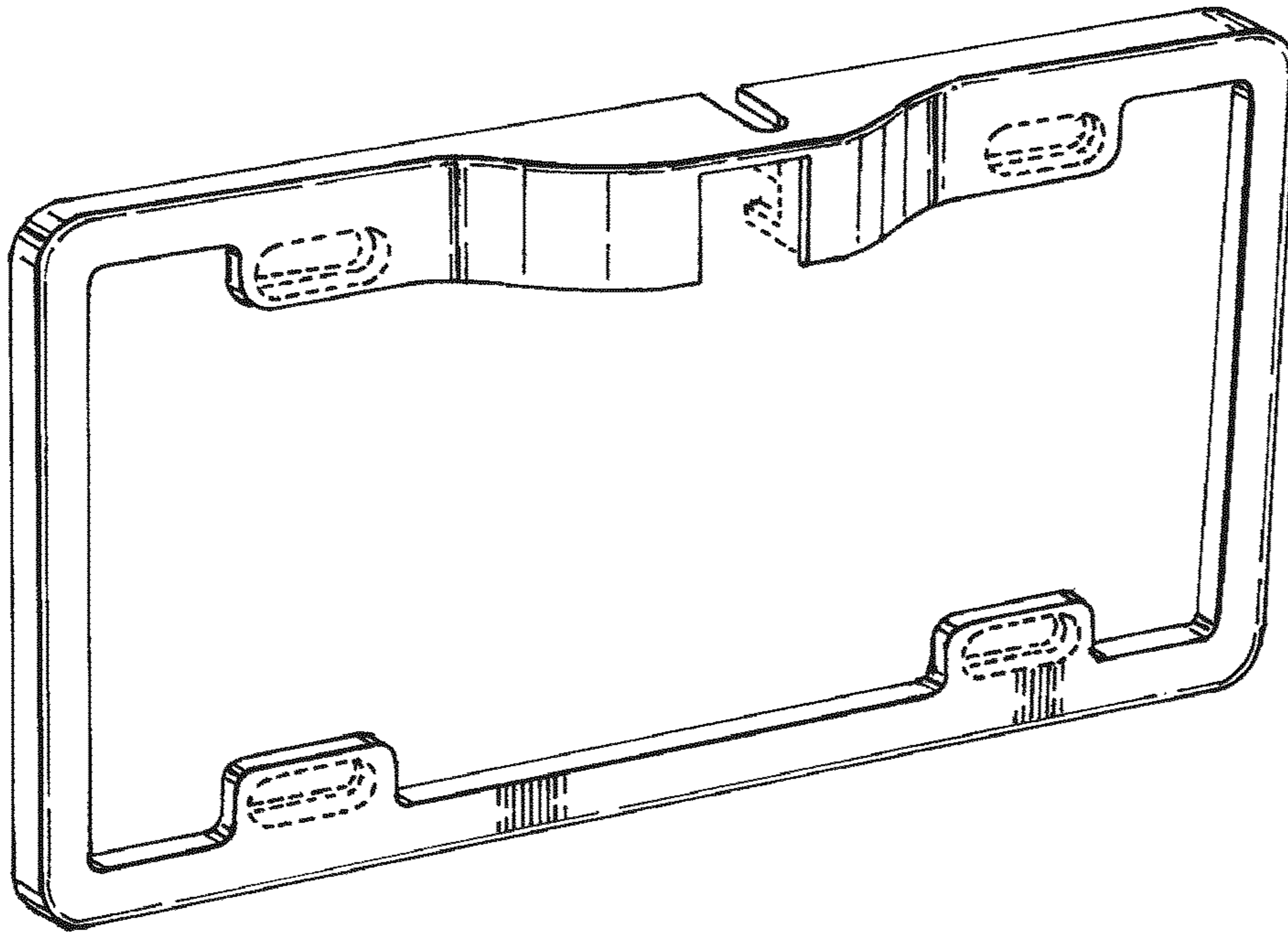


Fig. 1

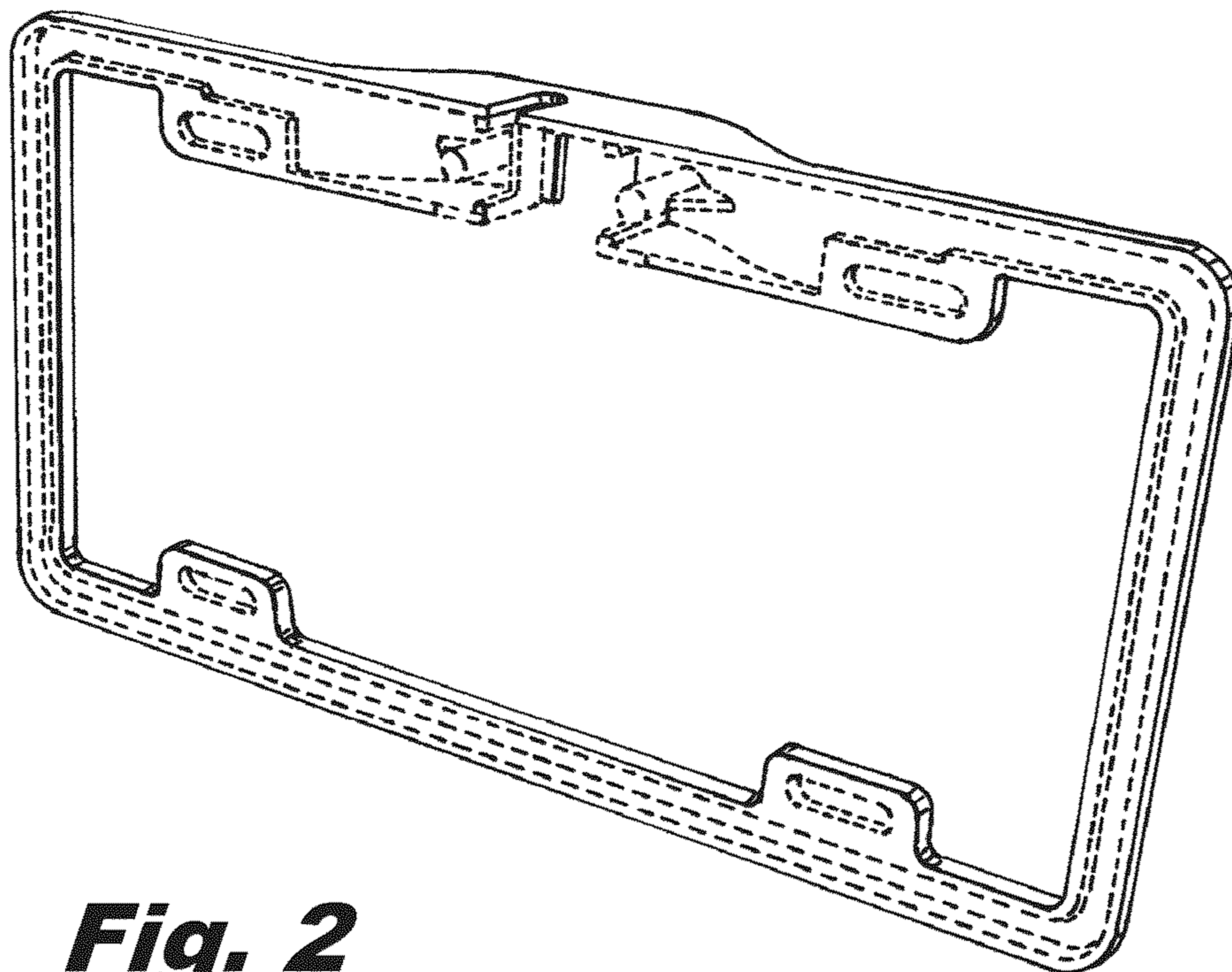


Fig. 2

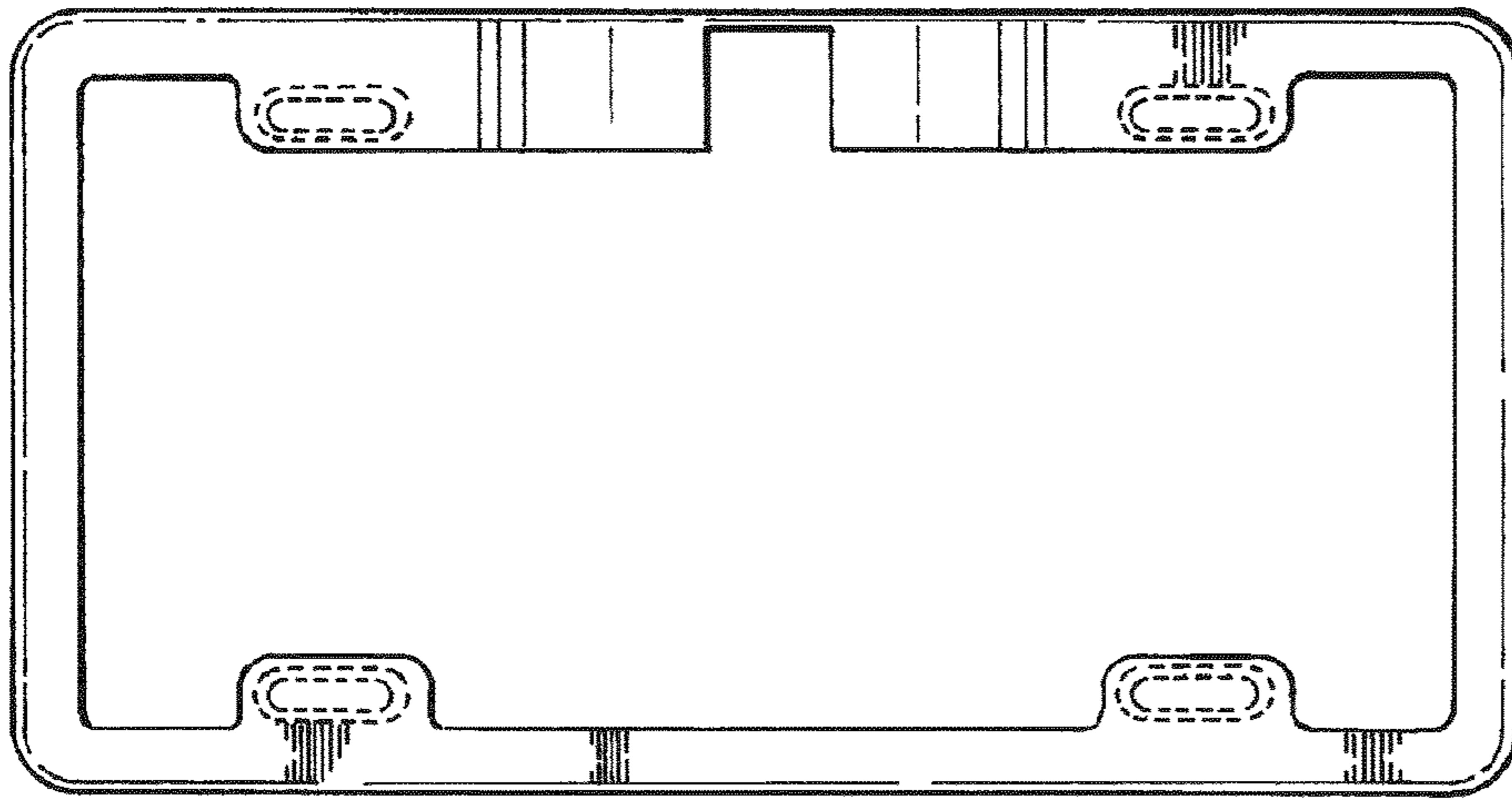


Fig. 3

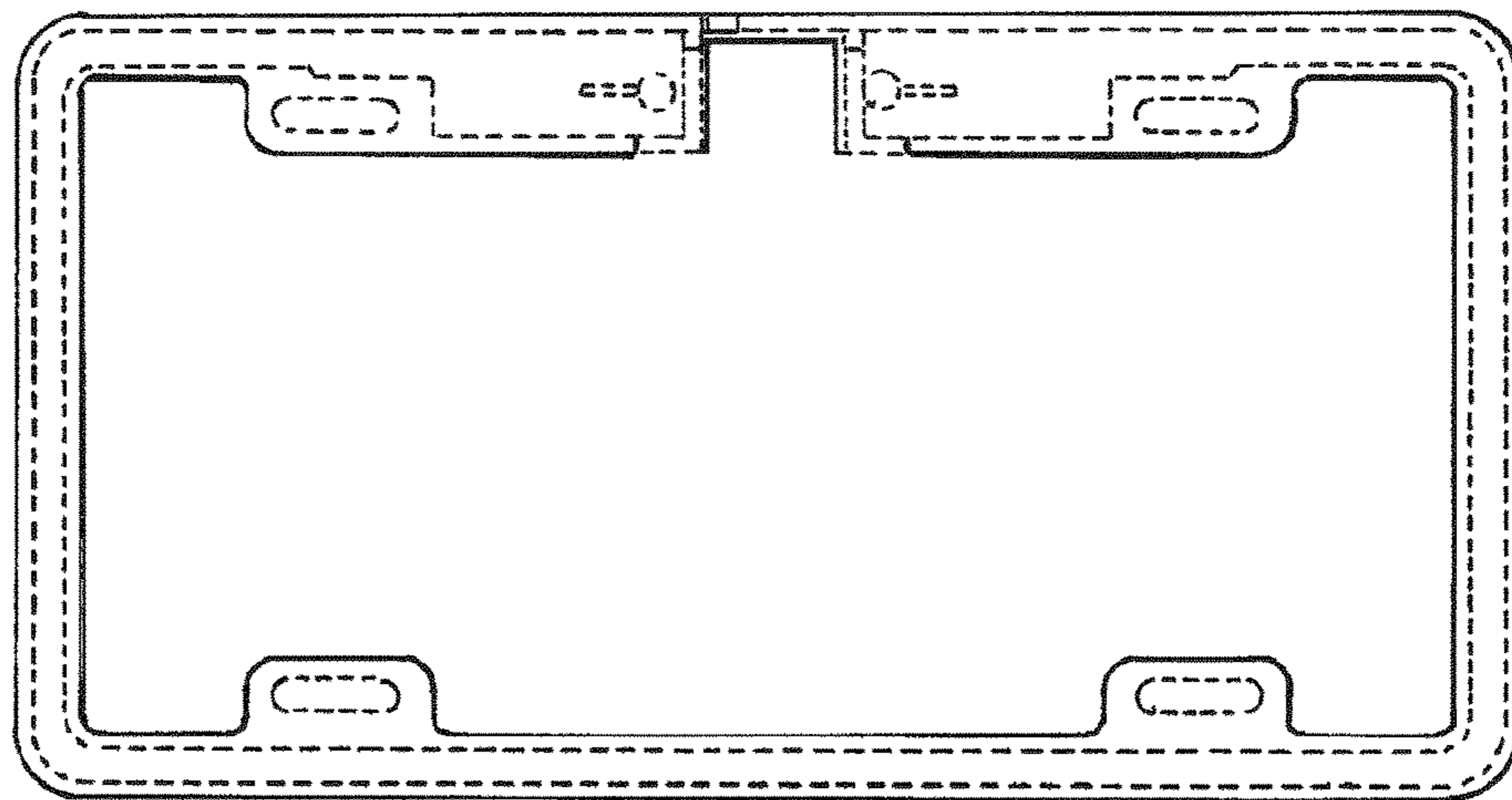


Fig. 4

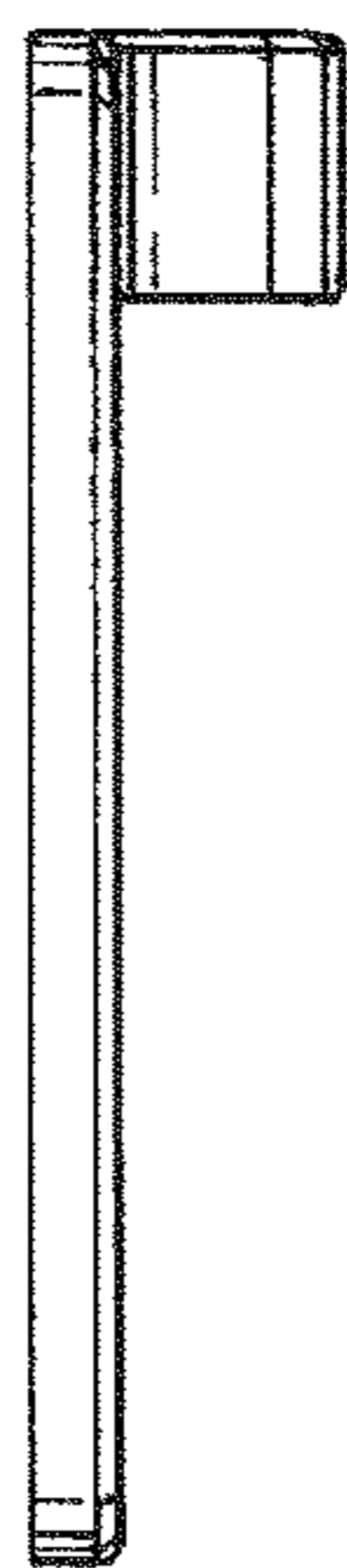


Fig. 5

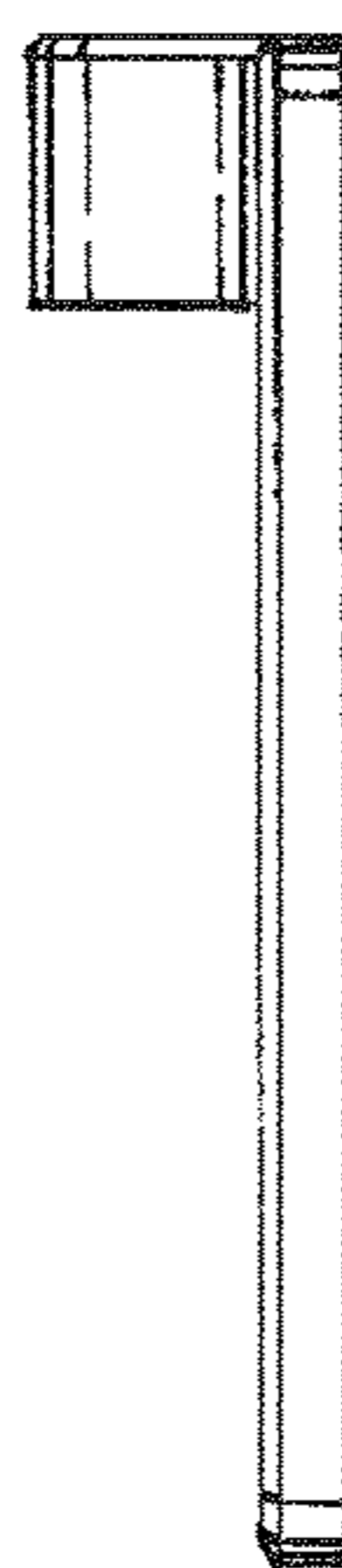


Fig. 6

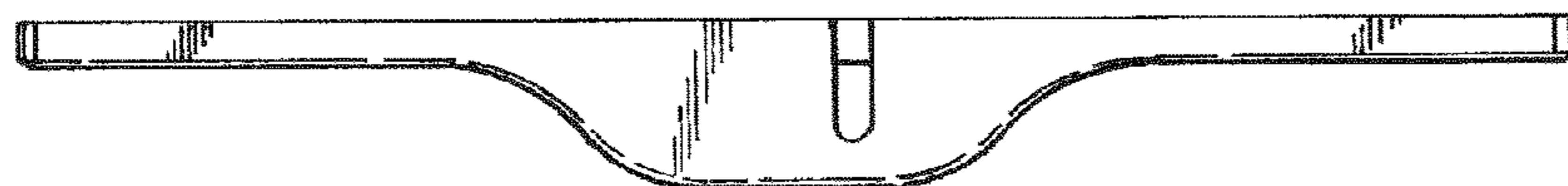


Fig. 7

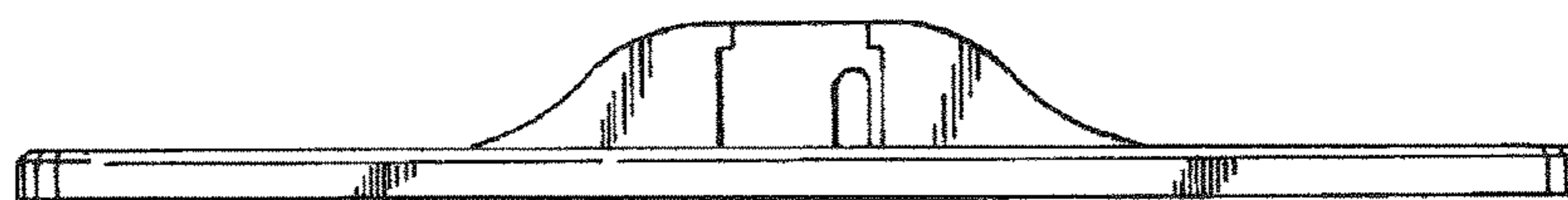


Fig. 8

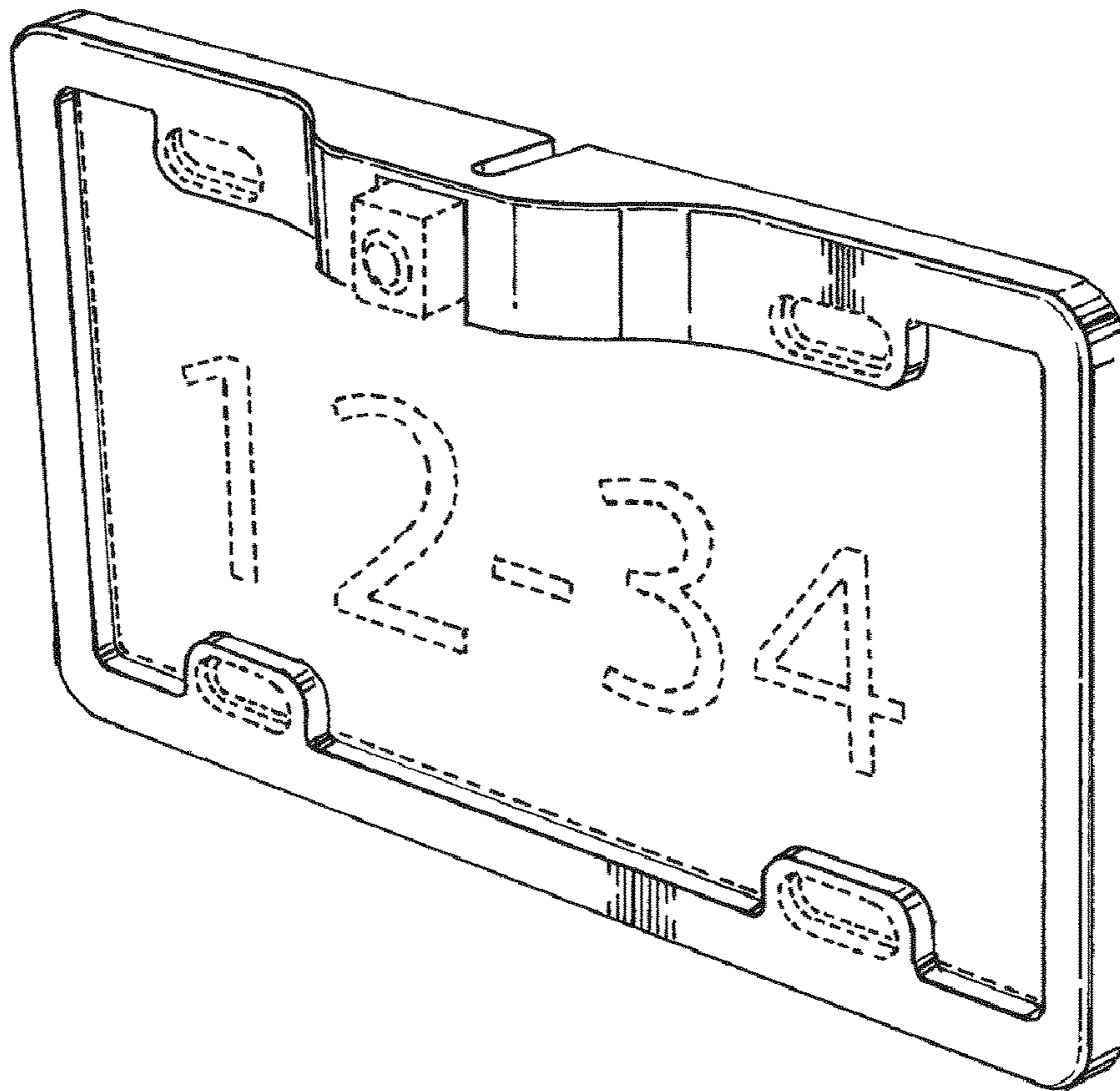


Fig. 9