



US00D644972S

(12) **United States Design Patent**
Beigel et al.

(10) **Patent No.:** **US D644,972 S**

(45) **Date of Patent:** **** Sep. 13, 2011**

(54) **FENDER FLARE OF A TRUCK VEHICLE**

(75) Inventors: **David J. Beigel**, Payne, OH (US); **Scott K. Firman**, Howell, MI (US); **Mark R. Marqueling**, Churubusco, IN (US); **Robert Paul Scott**, Novi, MI (US)

(73) Assignee: **International Truck Intellectual Property Company, LLC**, Warrenville, IL (US)

(**) Term: **14 Years**

(21) Appl. No.: **29/390,591**

(22) Filed: **Apr. 27, 2011**

(51) **LOC (9) Cl.** **12-08**

(52) **U.S. Cl.** **D12/181**

(58) **Field of Classification Search** D12/181,
D12/191, 196, 400, 190, 88; 280/727, 770,
280/848; 296/180.1-180.5, 91; 180/903

See application file for complete search history.

(56) **References Cited**

U.S. PATENT DOCUMENTS

D382,239 S *	8/1997	Logan et al.	D12/184
D422,954 S *	4/2000	Wilson	D12/185
D491,858 S *	6/2004	Velazco	D12/196
7,044,524 B2 *	5/2006	Luetze et al.	296/1.08
D546,253 S	7/2007	Lee	

D582,825 S *	12/2008	Logan	D12/196
D590,756 S *	4/2009	Williams et al.	D12/184
D591,654 S *	5/2009	Williams et al.	D12/184
D591,655 S *	5/2009	Golden et al.	D12/184
D591,656 S *	5/2009	Golden et al.	D12/184
D591,657 S *	5/2009	Golden et al.	D12/184
D591,658 S *	5/2009	Golden et al.	D12/184
D610,511 S *	2/2010	Dubanowski et al.	D12/181
D612,308 S	3/2010	Beigel	
D623,103 S *	9/2010	Braga	D12/181

* cited by examiner

Primary Examiner — Caron D Veynar

Assistant Examiner — Katrina Kile

(74) *Attorney, Agent, or Firm* — Jeffrey P. Calfa; Mark C. Bach; Gerald W. Askew

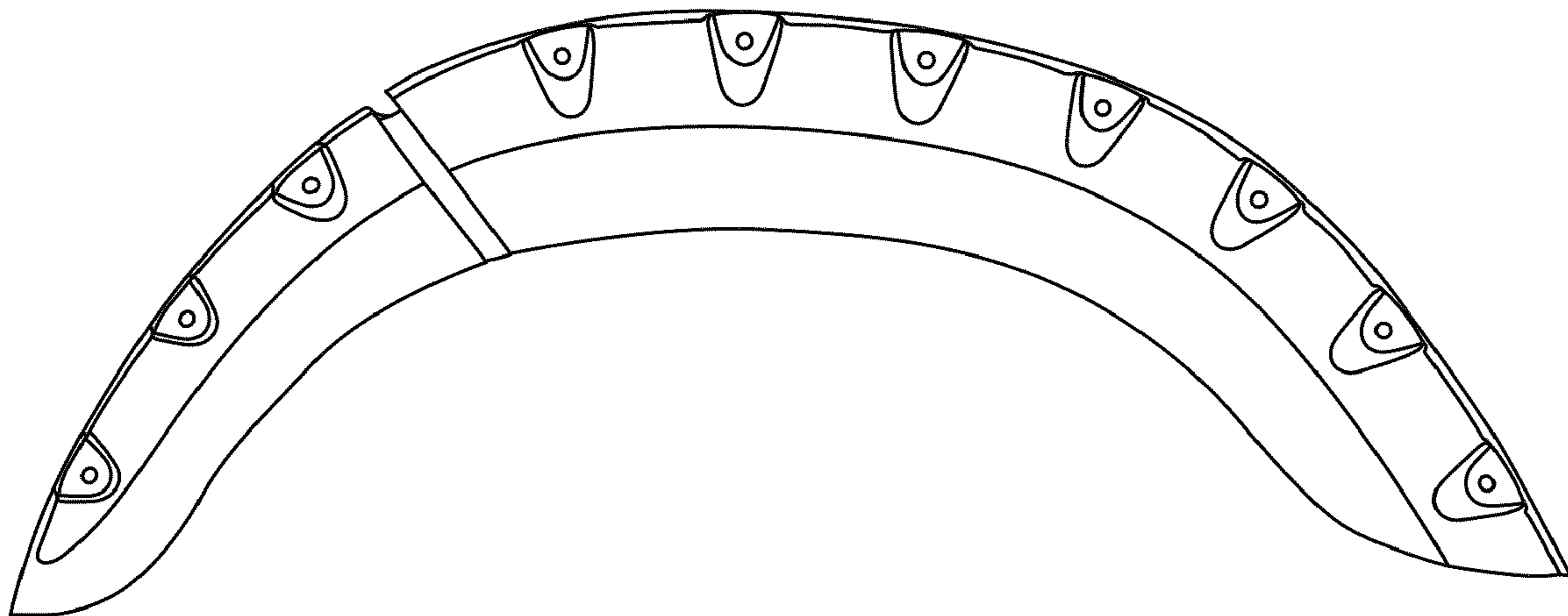
(57) **CLAIM**

The ornamental design for a fender flare of a truck vehicle, as shown and described.

DESCRIPTION

FIG. 1 is a FRONT RIGHT view of a fender flare of a truck vehicle showing our new design; FIG. 2 is a RIGHT view thereof; FIG. 3 is a LEFT view thereof; FIG. 4 is a FRONT view thereof; FIG. 5 is a TOP view thereof; and, FIG. 6 is a REAR view thereof.

1 Claim, 2 Drawing Sheets



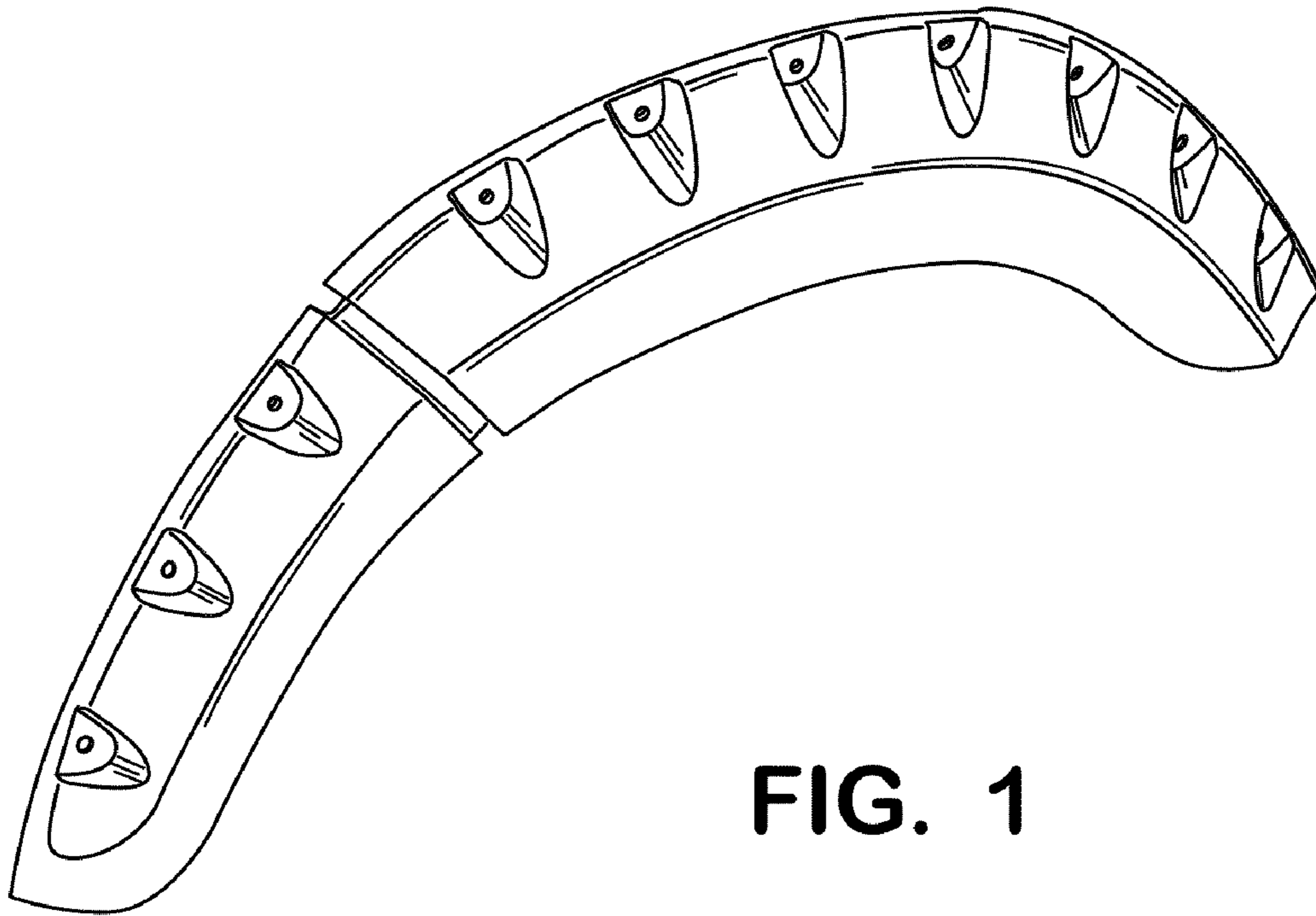


FIG. 1

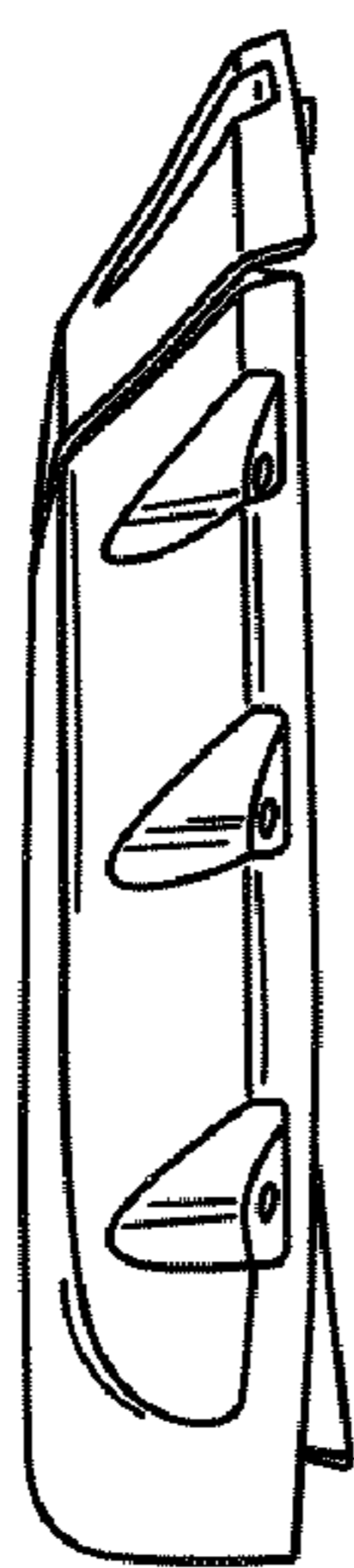


FIG. 2



FIG. 3

