

US00D644963S

(12) **United States Design Patent**
Tonello

(10) **Patent No.:** **US D644,963 S**

(45) **Date of Patent:** **** Sep. 13, 2011**

(54) **VEHICLE FRONT CENTER GRILLE**

(75) Inventor: **Domenico Tonello**, Köln (DE)

(73) Assignee: **Ford Global Technologies, LLC**,
Dearborn, MI (US)

(**) Term: **14 Years**

(21) Appl. No.: **29/382,888**

(22) Filed: **Jan. 10, 2011**

(51) **LOC (9) Cl.** **12-16**

(52) **U.S. Cl.** **D12/163**

(58) **Field of Classification Search** D12/163,
D12/196, 171, 86, 90-92, 216; 180/68.1,
180/68.6; 296/193.11

See application file for complete search history.

(56) **References Cited**

U.S. PATENT DOCUMENTS

D501,163 S *	1/2005	Ballou et al.	D12/169
D501,810 S *	2/2005	Ballou et al.	D12/169
D544,414 S *	6/2007	Okamoto	D12/169
D571,265 S *	6/2008	Suzuki et al.	D12/169
D605,987 S *	12/2009	Furuhata	D12/163
D606,461 S *	12/2009	Richards et al.	D12/163

OTHER PUBLICATIONS

Ford Kuga, Frankfurt Motot Show, Sep. 11, 2007.
Ford Kuga, Geneva Auto Show, Mar. 2, 2010.

* cited by examiner

Primary Examiner — Melody N Brown

(74) *Attorney, Agent, or Firm* — Damian Porcari

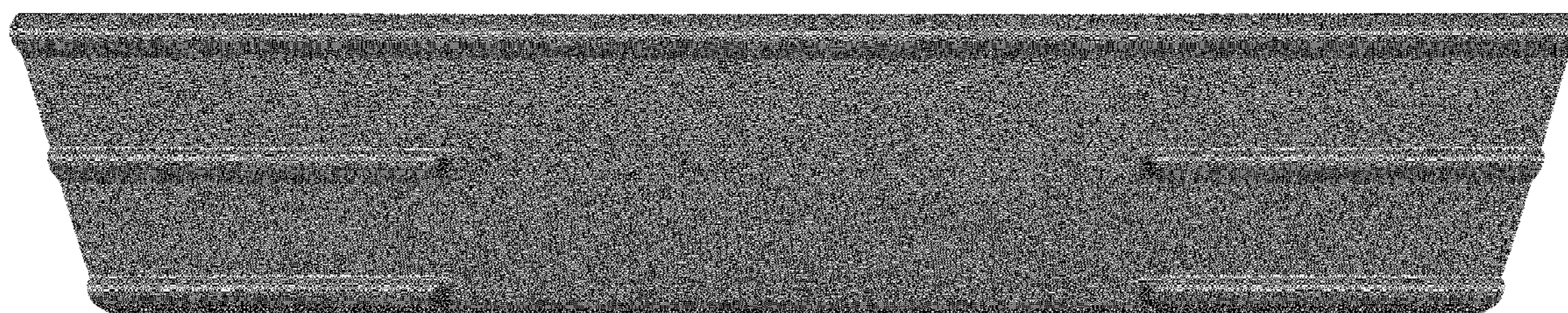
(57) **CLAIM**

The ornamental design for a vehicle front center grille, as shown and described.

DESCRIPTION

FIG. 1 is a top plan view of a vehicle front center grille;
FIG. 2 is a bottom plan view of the vehicle front center grille;
FIG. 3 is a front elevational view of the vehicle front center grille;
FIG. 4 is a left side elevational view of the vehicle front center grille;
FIG. 5 is a right side elevational view of the vehicle front center grille;
FIG. 6 is a perspective view of the vehicle front center grille;
and,
FIG. 7 is another perspective view of the vehicle front center grille.

1 Claim, 7 Drawing Sheets



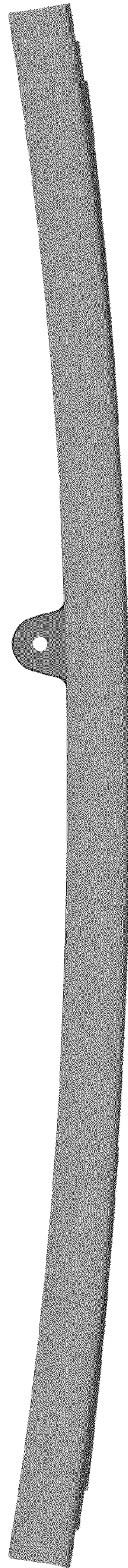


Figure 1

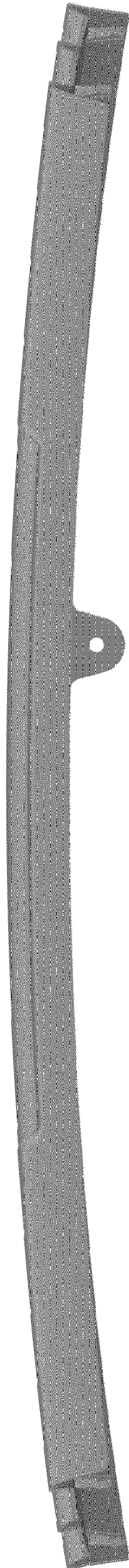


Figure 2

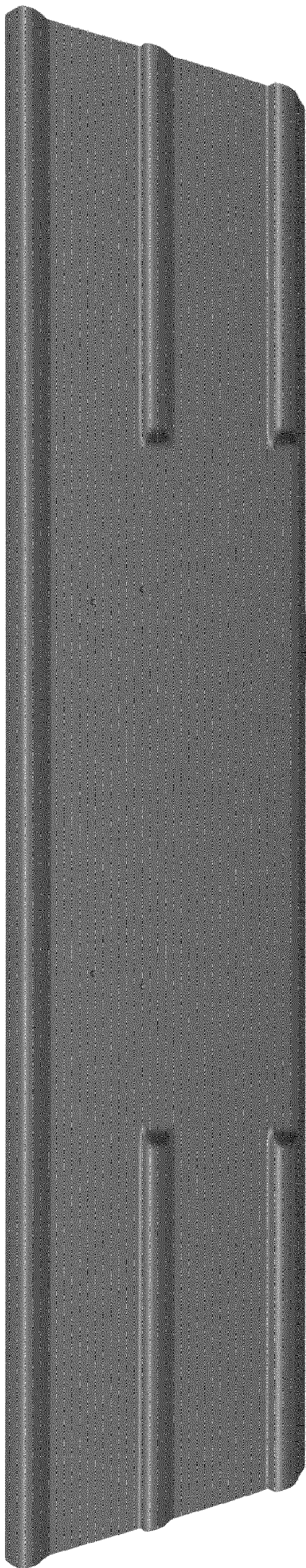


Figure 3

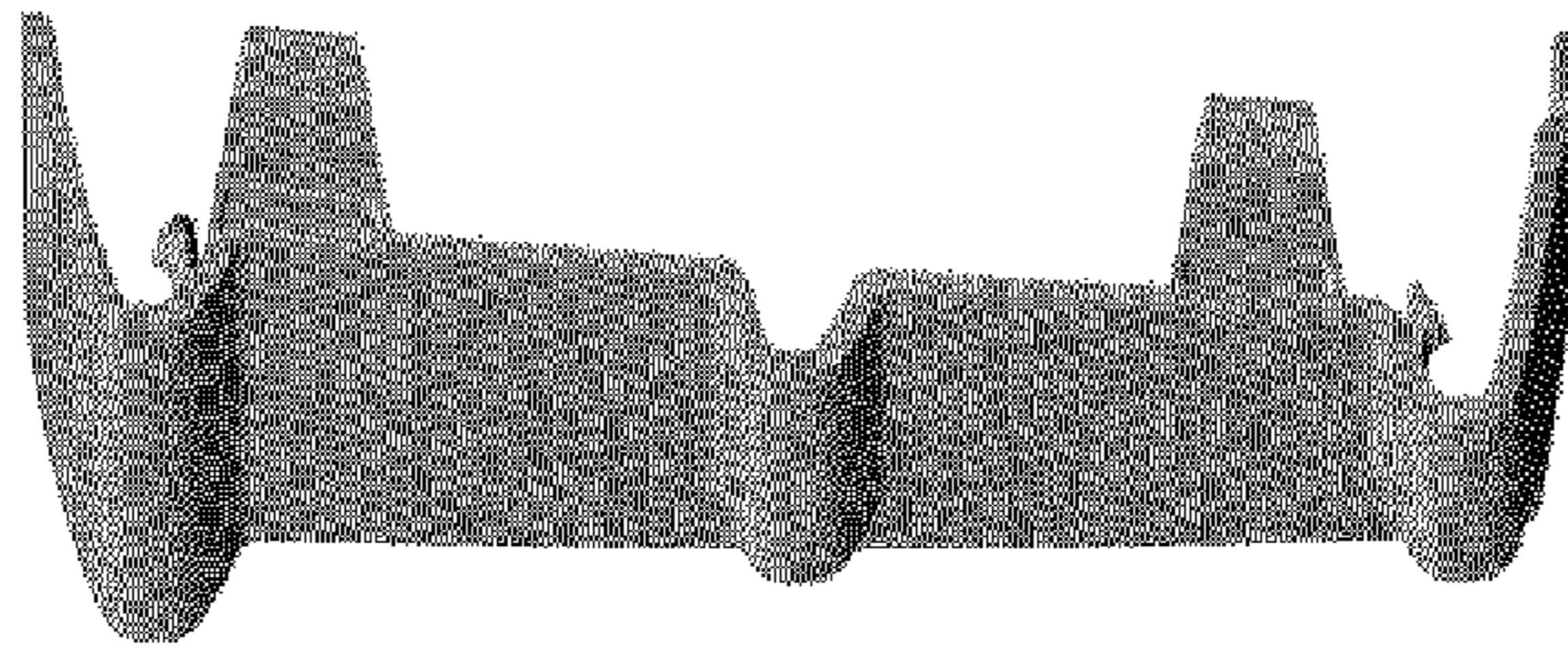


Figure 4

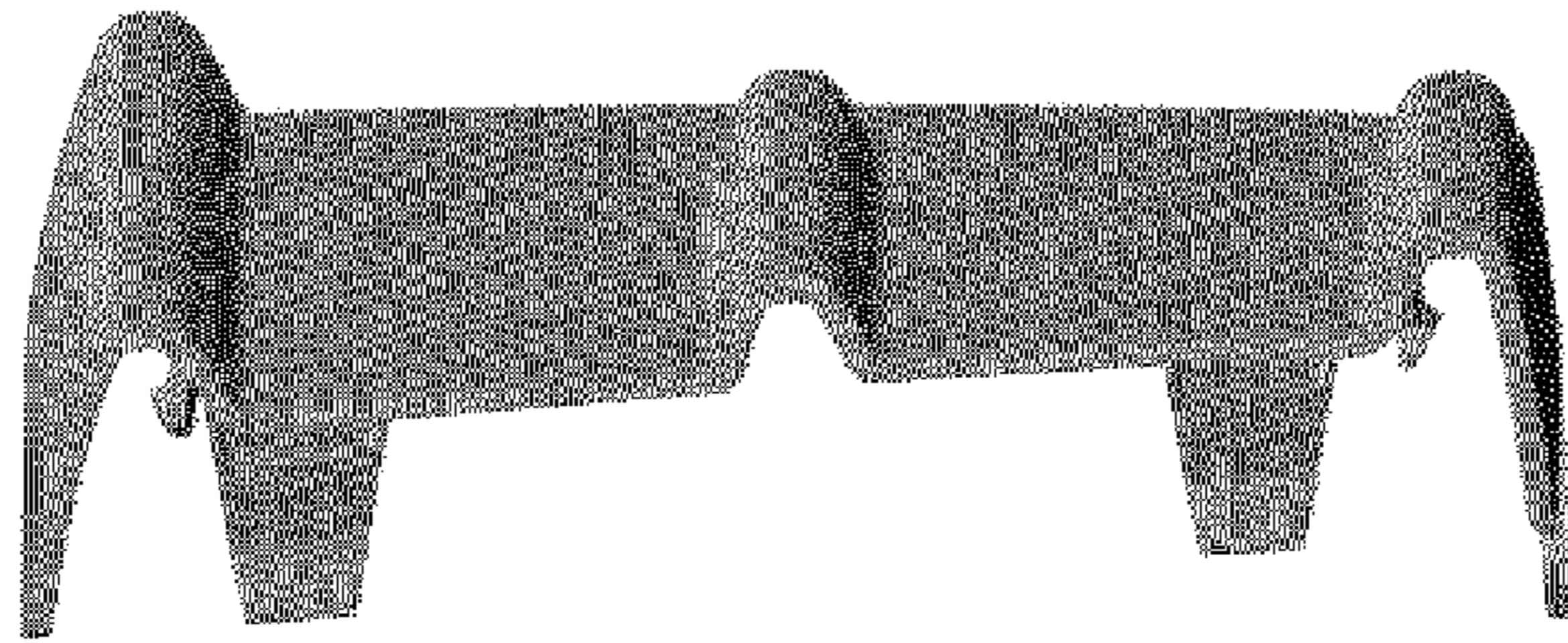


Figure 5

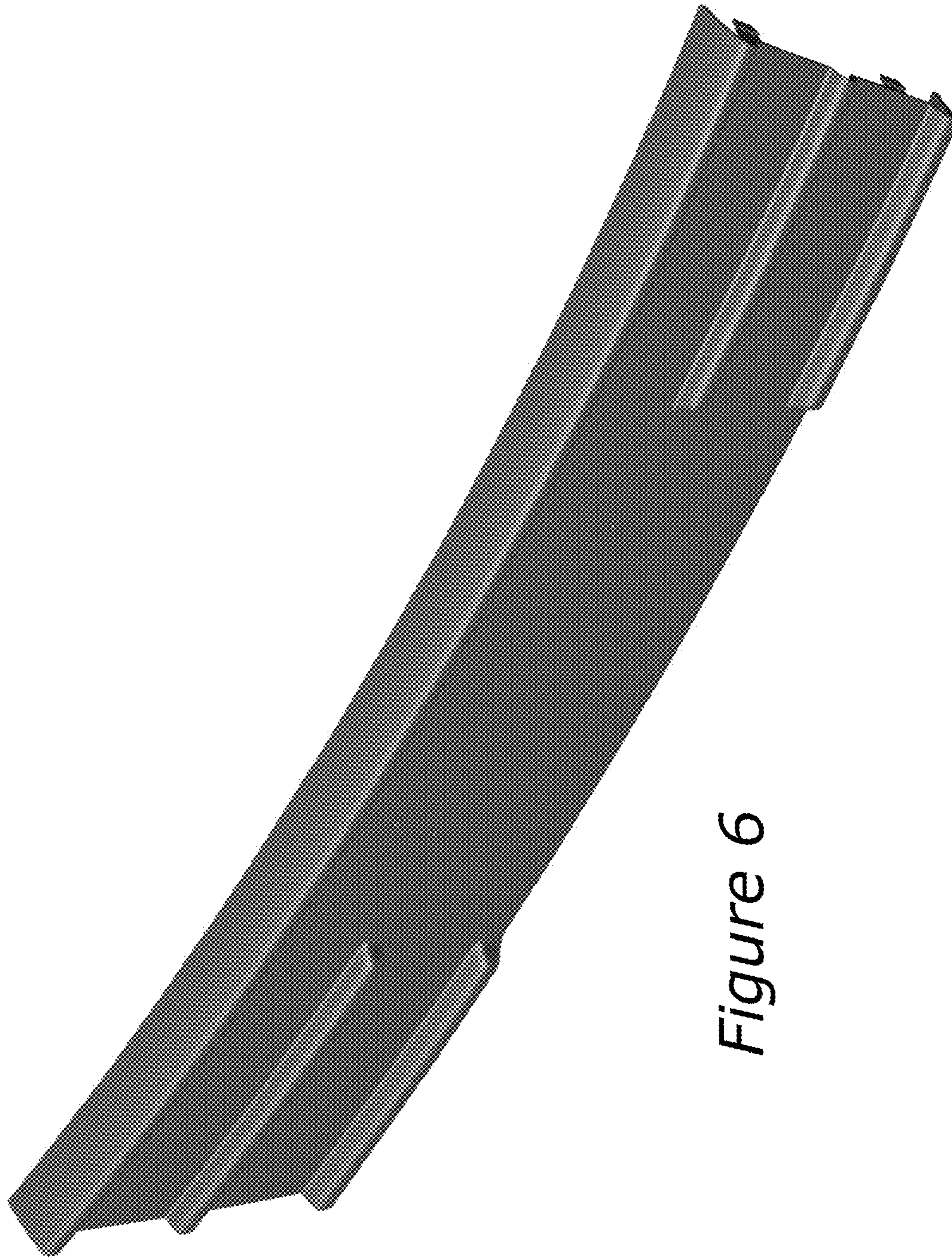


Figure 6

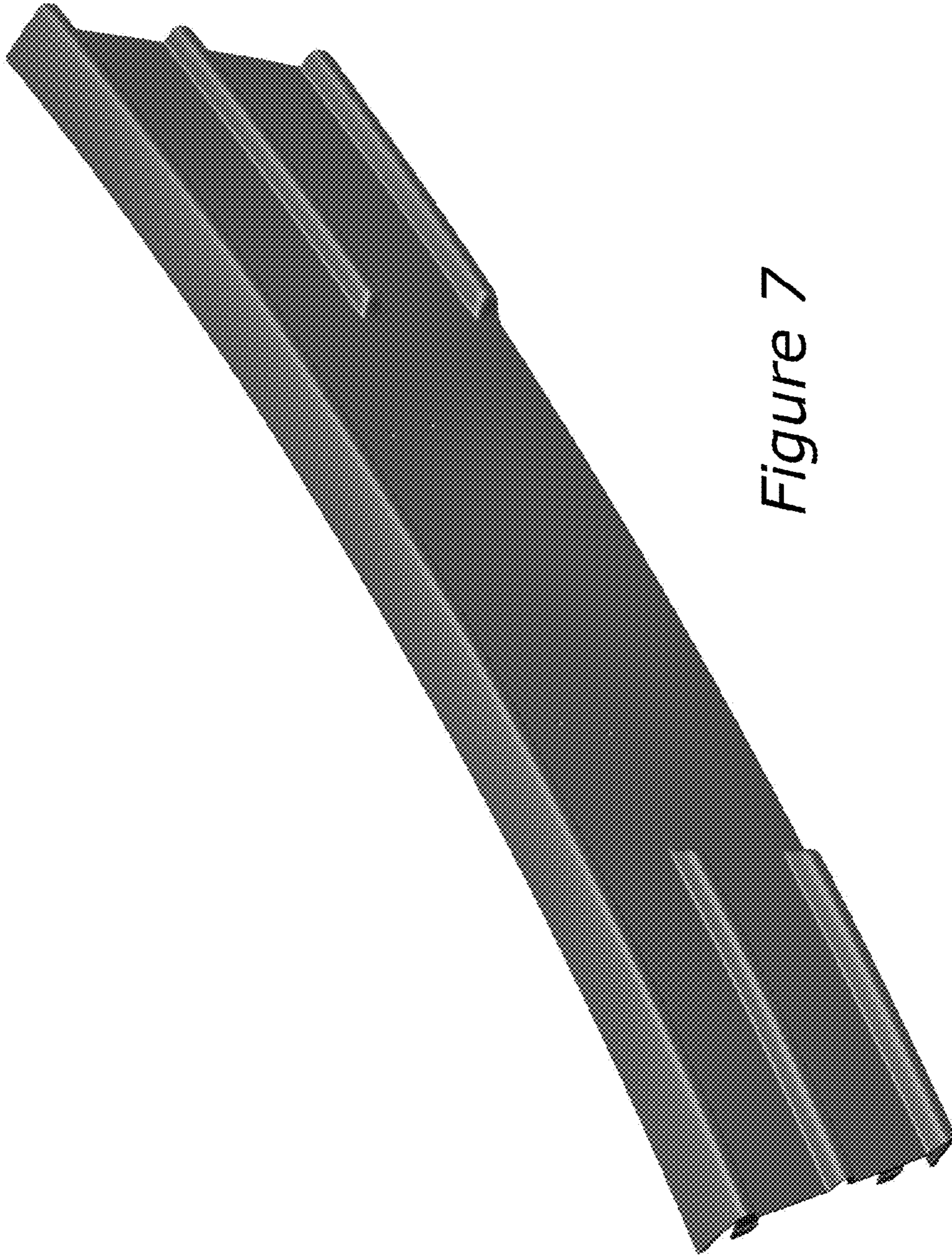


Figure 7