



US00D644962S

(12) **United States Design Patent**
Schoonhoven et al.

(10) **Patent No.:** **US D644,962 S**
(45) **Date of Patent:** **** Sep. 13, 2011**

(54) **BICYCLE**

(75) Inventors: **Willem Jorrit Schoonhoven**,
Amsterdam (NL); **Onno Kramer**,
Heerenveen (NL)

(73) Assignee: **Batavus B.V.** (NL)

(**) Term: **14 Years**

(21) Appl. No.: **29/380,210**

(22) Filed: **Dec. 1, 2010**

Related U.S. Application Data

(62) Division of application No. 29/350,687, filed on Nov. 20, 2009.

Foreign Application Priority Data

May 22, 2009 (EM) 001139265-003

(51) **LOC (9) Cl.** **12-11**

(52) **U.S. Cl.** **D12/111**

(58) **Field of Classification Search** D12/111,
D12/117, 119; 280/274–280, 281.1, 283–288,
280/288.1–288.4

See application file for complete search history.

(56) **References Cited**

U.S. PATENT DOCUMENTS

D45,961 S	6/1914	Remppis	
4,350,361 A	9/1982	Fujii	
4,383,625 A	5/1983	Kiang	
4,427,209 A *	1/1984	Morita	280/281.1
4,666,071 A	5/1987	Irwin et al.	
D292,900 S	11/1987	Blackburn et al.	
D336,879 S	6/1993	Chen	

D340,011 S	10/1993	Chen	
D342,891 S	1/1994	Marui	
5,482,194 A	1/1996	Hallock, III	
D369,138 S	4/1996	Gotschi	
5,667,118 A	9/1997	Faasse	
D418,778 S	1/2000	Allen et al.	
6,676,095 B2	1/2004	Dal Pra'	
6,712,371 B2 *	3/2004	Trubiano	280/274
6,896,438 B1	5/2005	Chen	
D517,452 S	3/2006	Hickman	
D540,716 S	4/2007	Mohr	
7,273,221 B2	9/2007	Ockenden	
D587,633 S	3/2009	Parrett et al.	
D612,300 S	3/2010	Lobnitz	

* cited by examiner

Primary Examiner — Susan M Lee

Assistant Examiner — Linda Brooks

(74) *Attorney, Agent, or Firm* — Leydig, Voit & Mayer, Ltd.

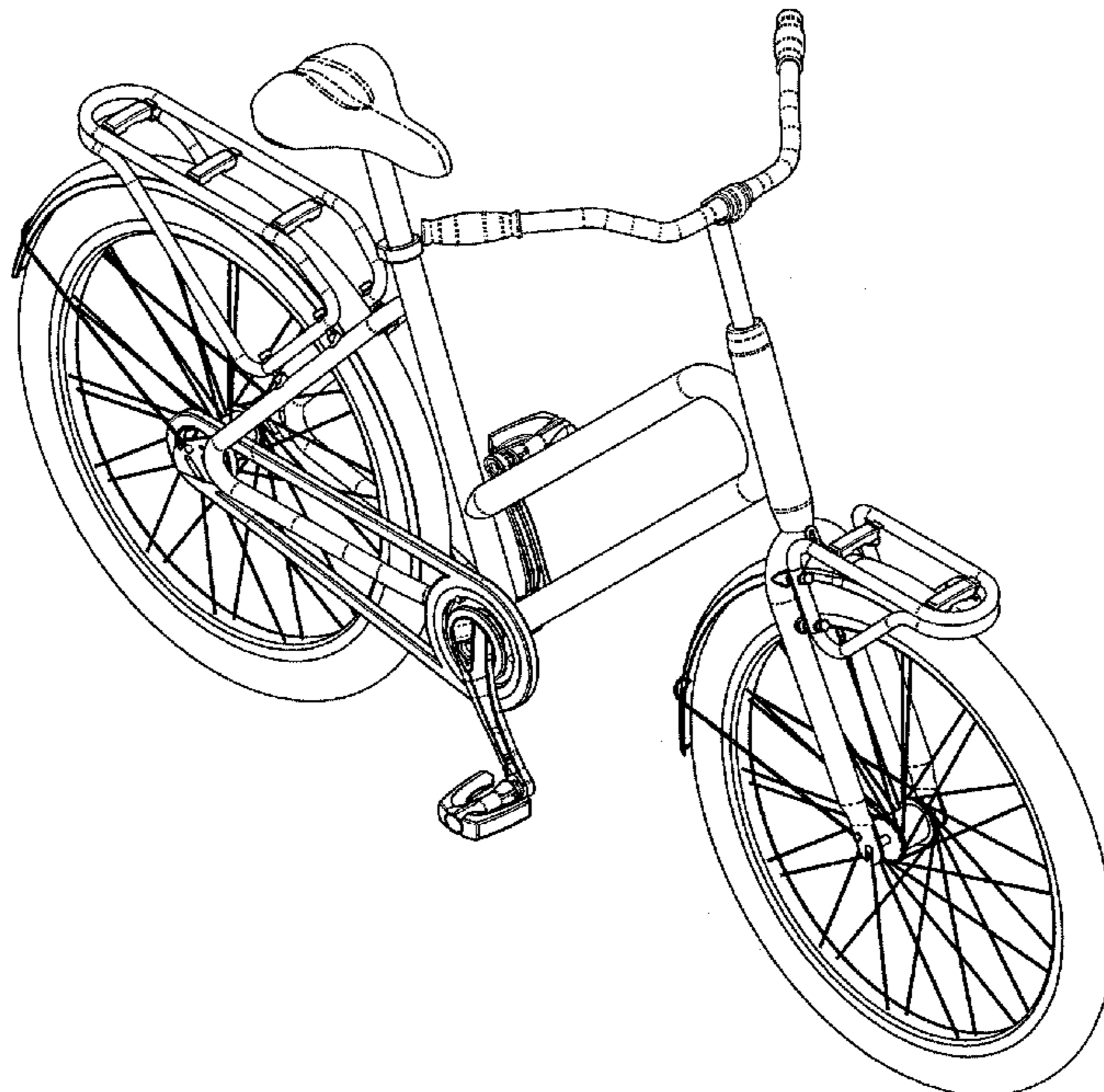
(57) **CLAIM**

The ornamental design for a bicycle, as shown and described.

DESCRIPTION

FIG. 1 is a perspective view taken from the top, front, and left side of a bicycle showing our new design;
FIG. 2 is a top plan view of the bicycle shown in FIG. 1;
FIG. 3 is a bottom view of the bicycle shown in FIG. 1;
FIG. 4 is a front elevational view of the bicycle shown in FIG. 1;
FIG. 5 is a rear elevational view of the bicycle shown in FIG. 1;
FIG. 6 is a left elevational side view of the bicycle shown in FIG. 1; and,
FIG. 7 is a right elevational side view of the bicycle shown in FIG. 1.

1 Claim, 7 Drawing Sheets



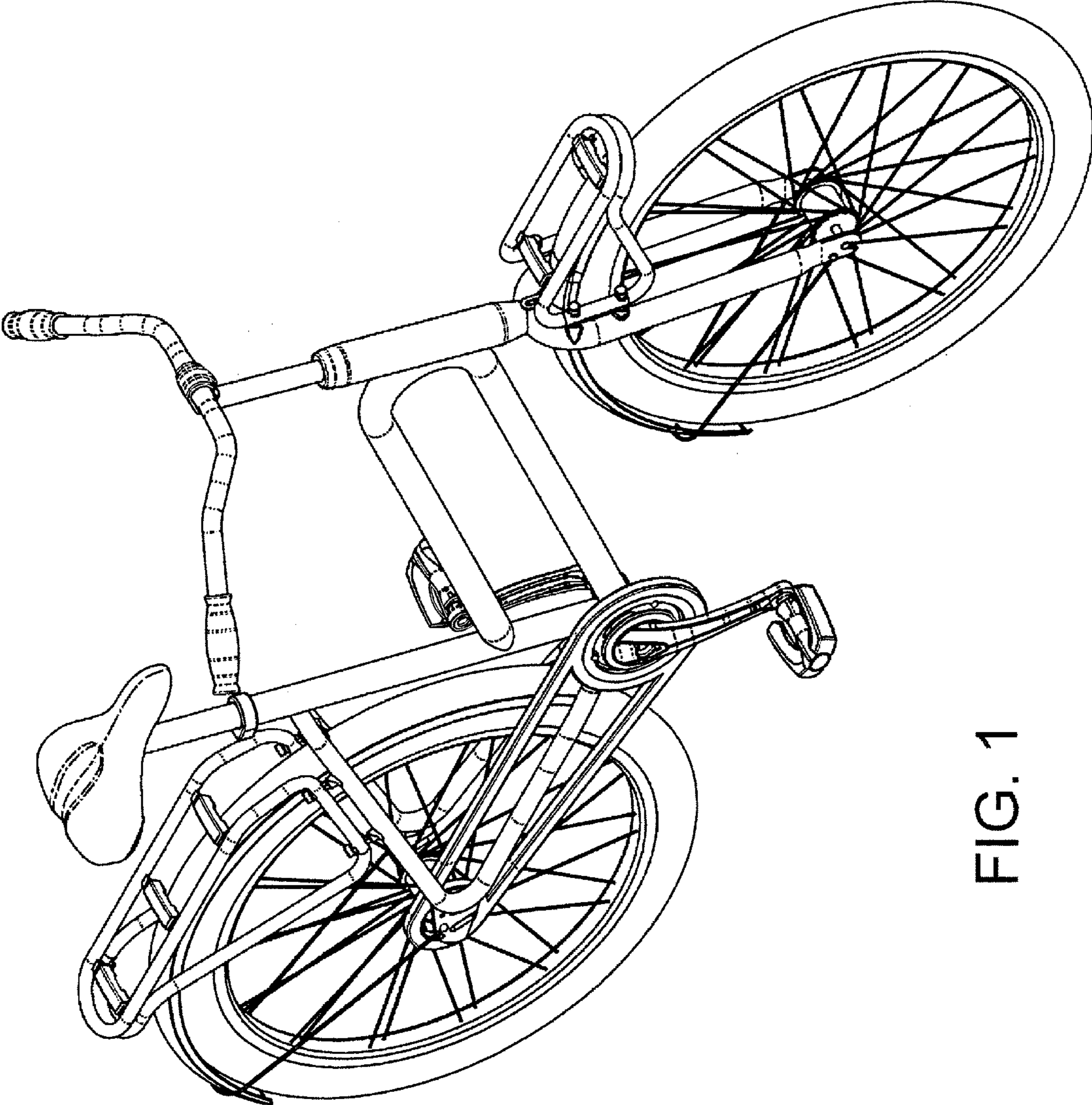


FIG. 1

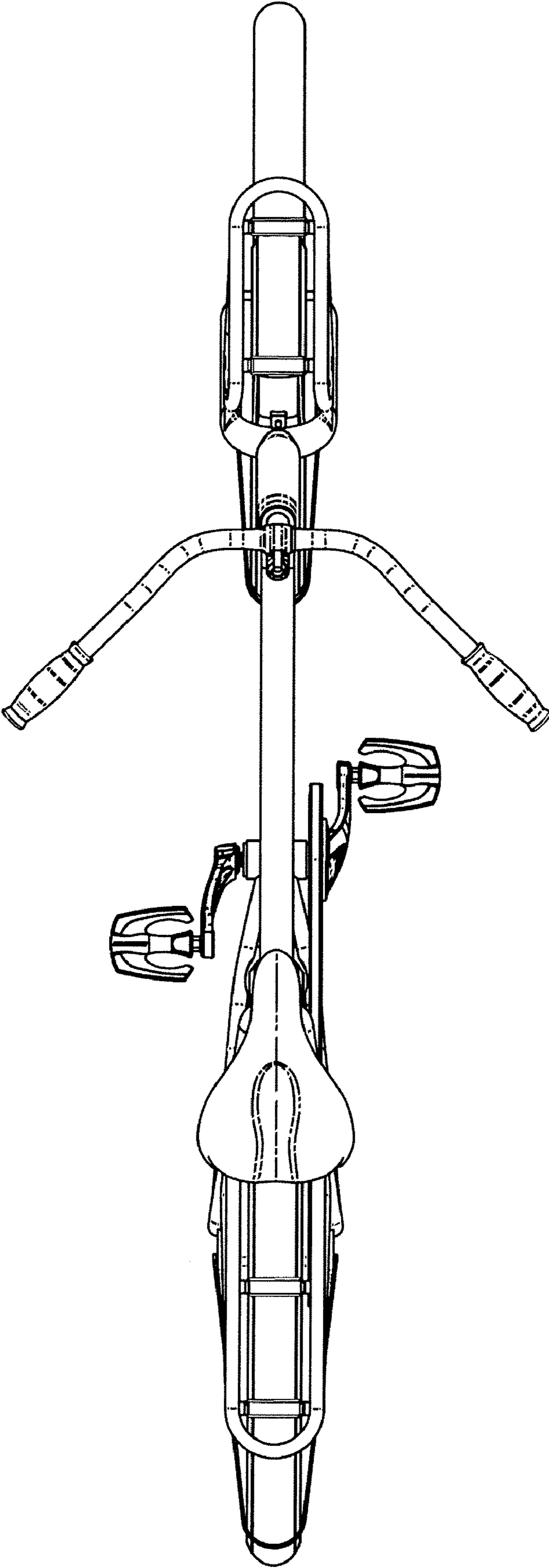


FIG. 2

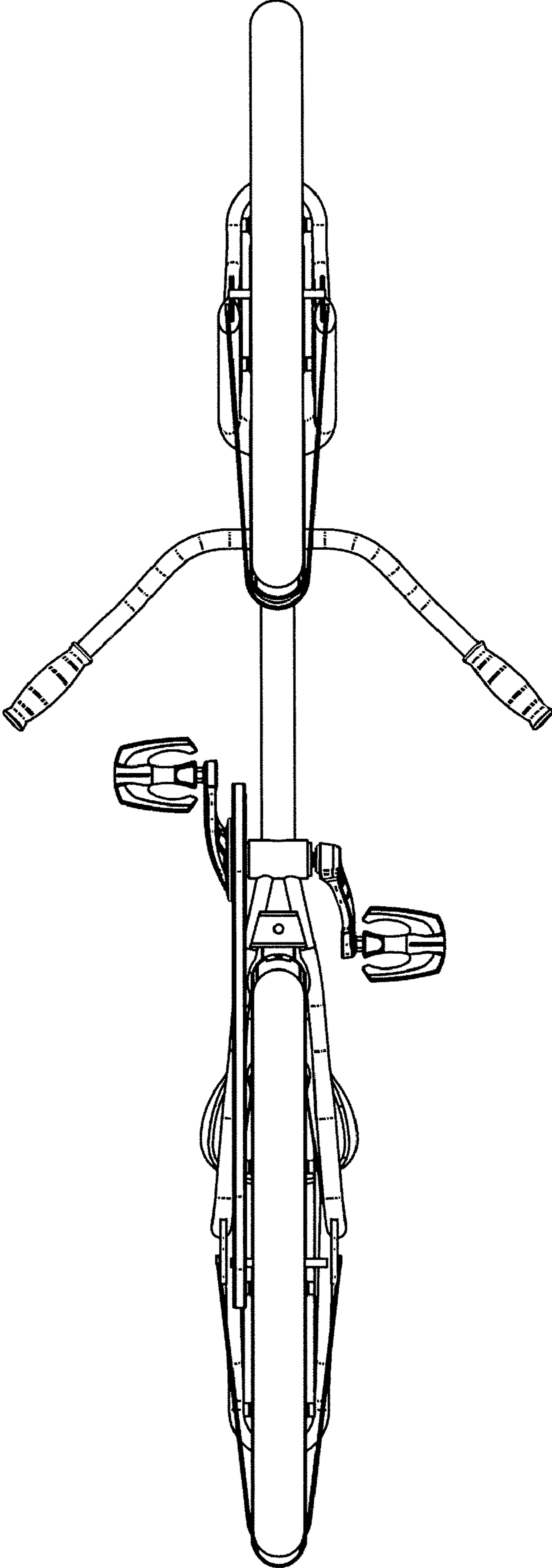


FIG. 3

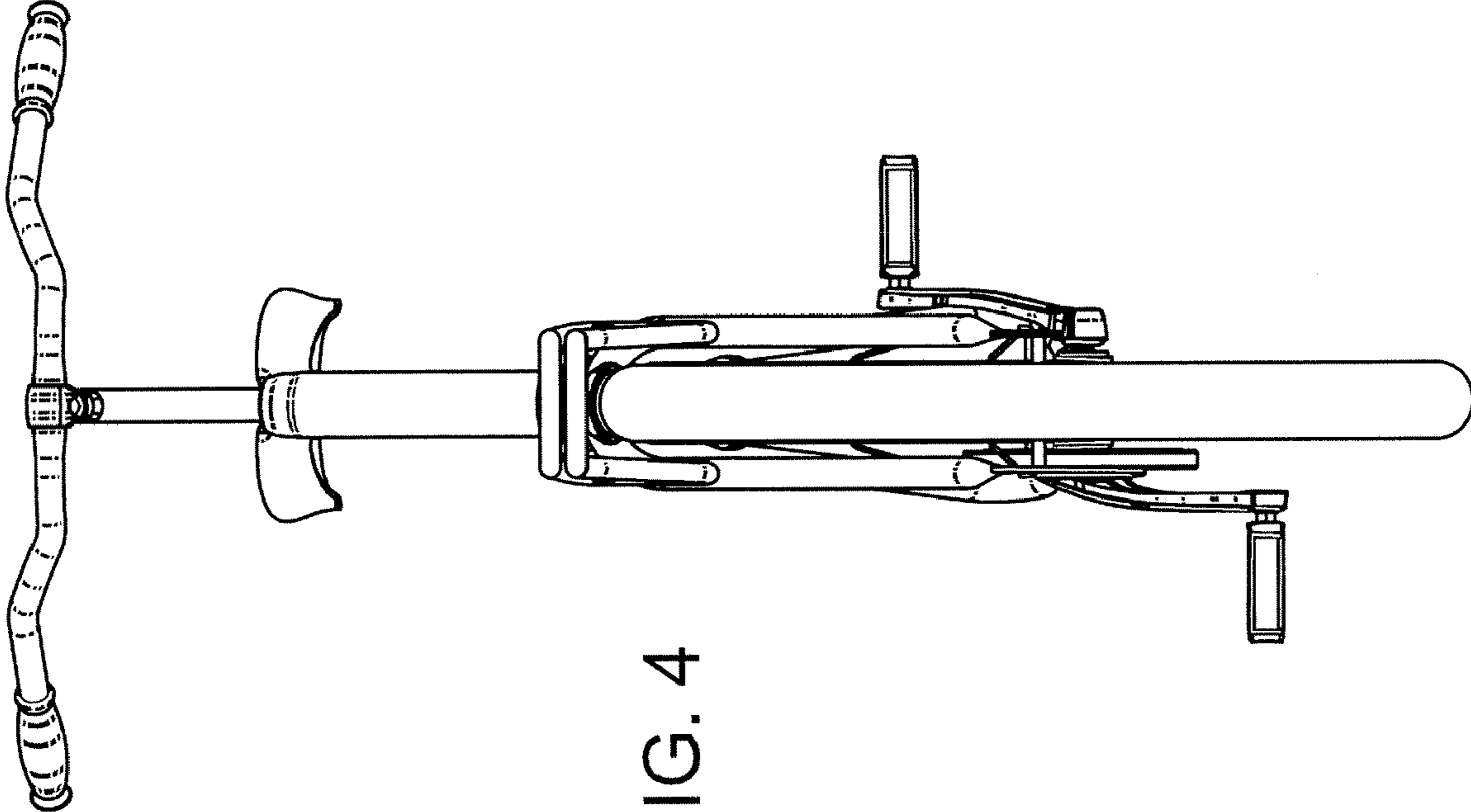


FIG. 4

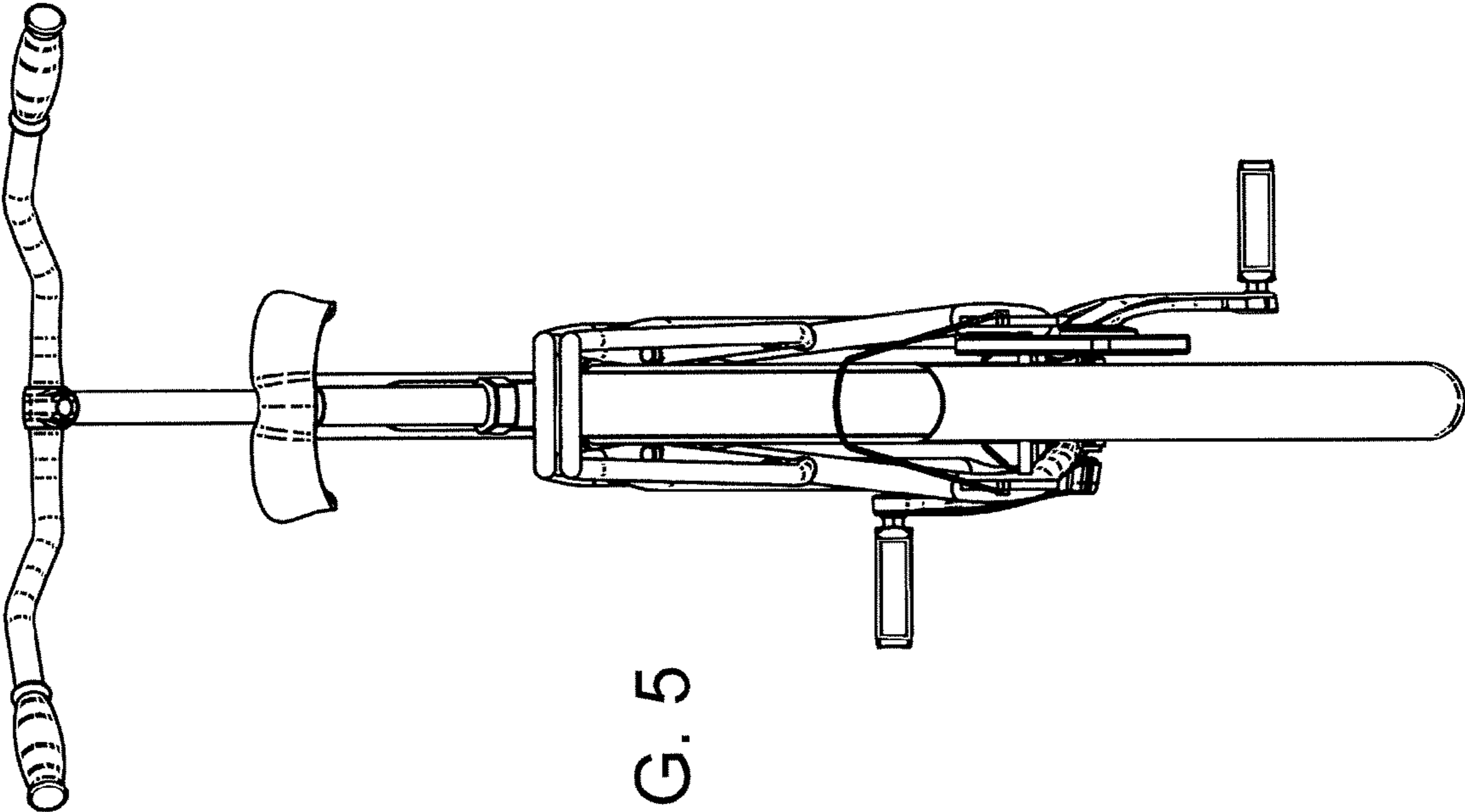


FIG. 5

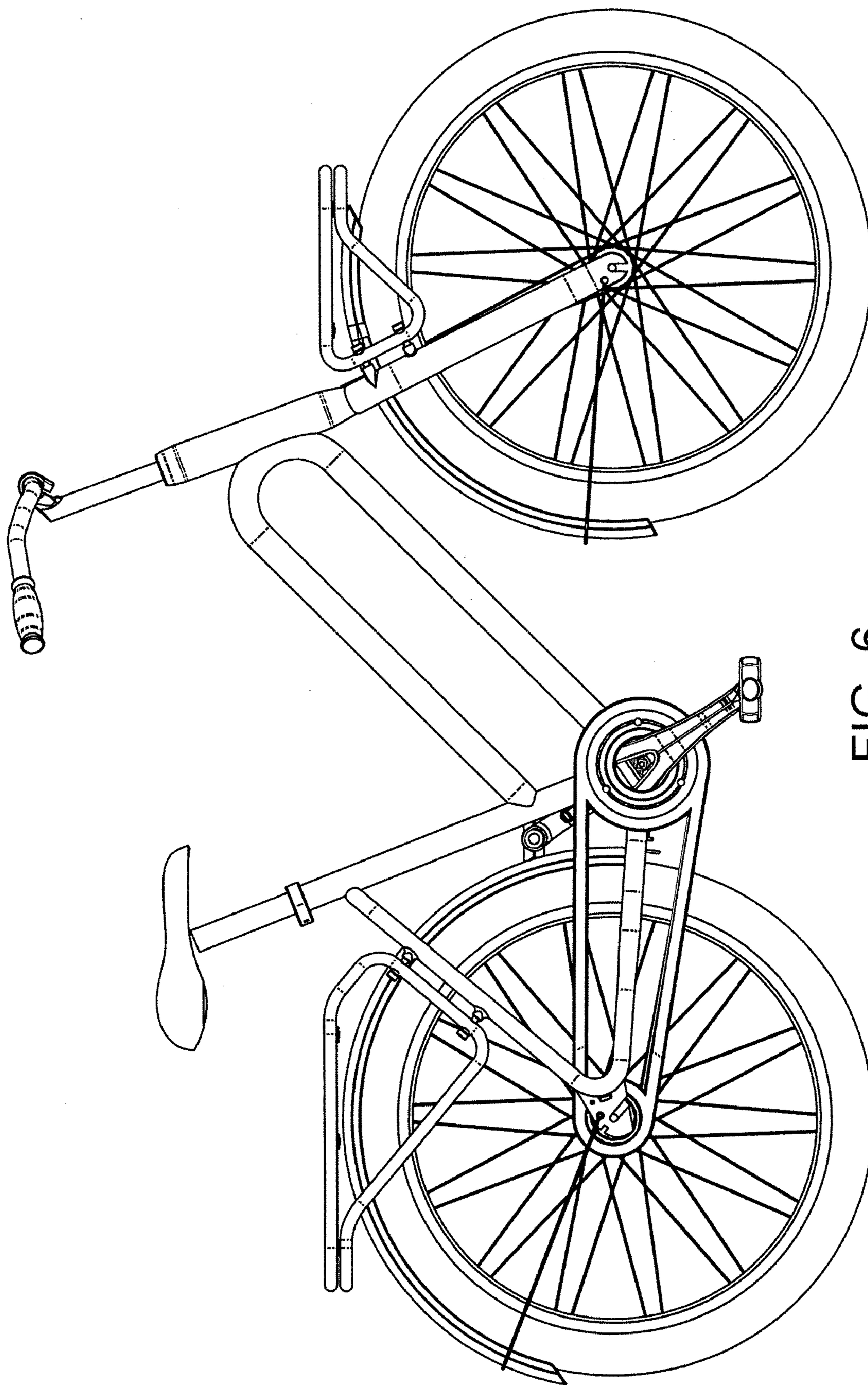


FIG. 6

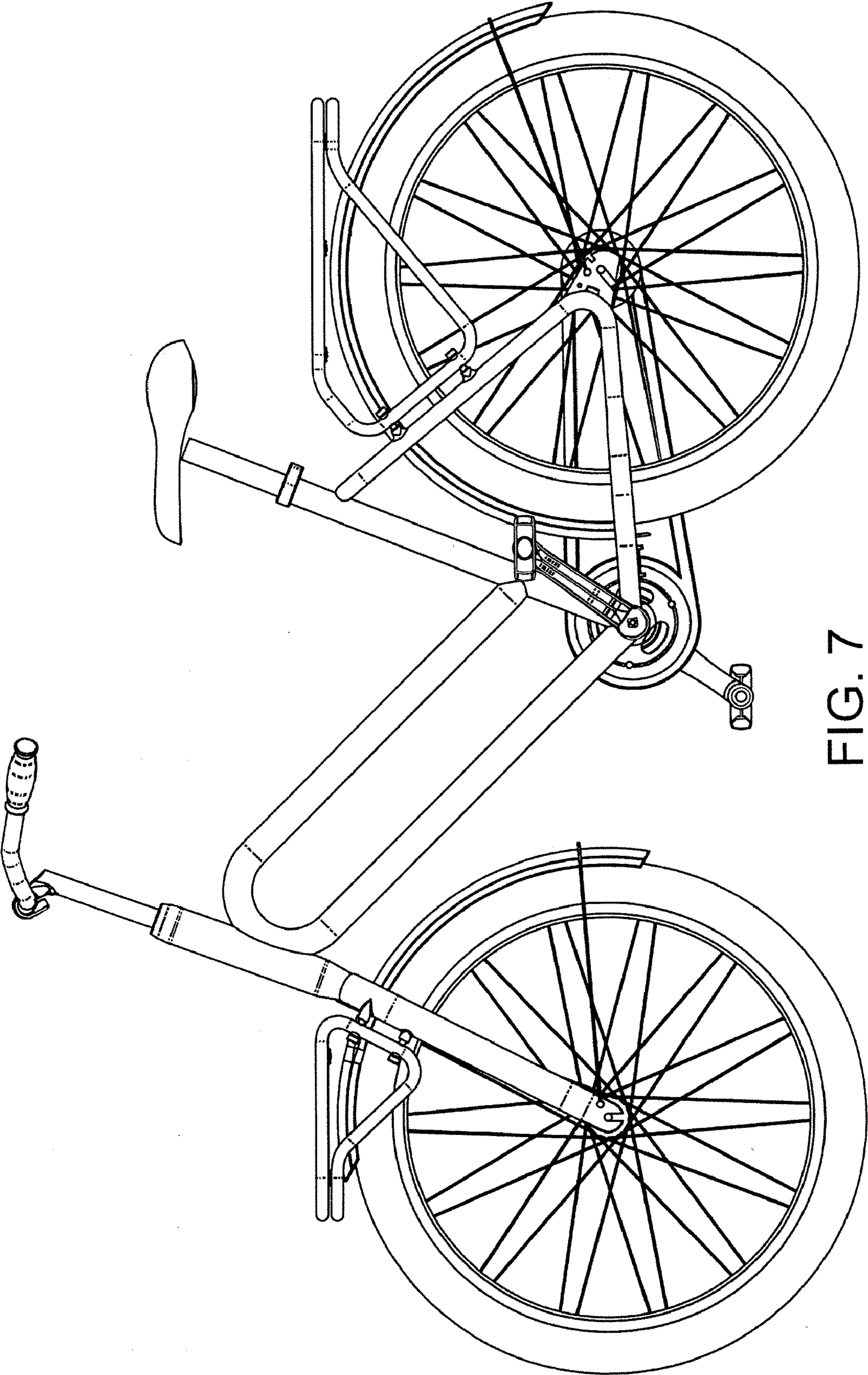


FIG. 7