



US00D644957S

(12) **United States Design Patent**
Blackford et al.

(10) **Patent No.:** **US D644,957 S**

(45) **Date of Patent:** **** Sep. 13, 2011**

(54) **ZIPPER SLIDER BASE**

(75) Inventors: **Michael E. "Woody" Blackford**,
Portland, OR (US); **Jeff Mergy**,
Portland, OR (US)

(73) Assignee: **Columbia Sportswear North America, Inc.**, Portland, OR (US)

(**) Term: **14 Years**

(21) Appl. No.: **29/386,127**

(22) Filed: **Feb. 24, 2011**

(51) **LOC (9) Cl.** **02-07**

(52) **U.S. Cl.** **D11/221**

(58) **Field of Classification Search** D11/200,
D11/201, 221; 24/381-383, 385-387, 414-417,
24/421-422, 427-431, 433, 405; 2/265
See application file for complete search history.

(56) **References Cited**

U.S. PATENT DOCUMENTS

D114,268	S	*	4/1939	Poux	D11/221
D114,270	S	*	4/1939	Poux	D11/221
2,166,905	A	*	7/1939	Poux	24/421
D117,823	S	*	11/1939	Poux	D11/221
2,261,132	A	*	11/1941	Poux	24/419

D169,138	S	*	3/1953	Gorth	D11/221
D245,046	S	*	7/1977	Weikal	D11/221
D449,563	S	*	10/2001	Starck	D11/221
D531,545	S	*	11/2006	Yamazaki	D11/221
D610,947	S	*	3/2010	Takazawa et al.	D11/221

* cited by examiner

Primary Examiner — Ralf Seifert

(74) *Attorney, Agent, or Firm* — Schwabe, Williamson & Wyatt, P.C.

(57) **CLAIM**

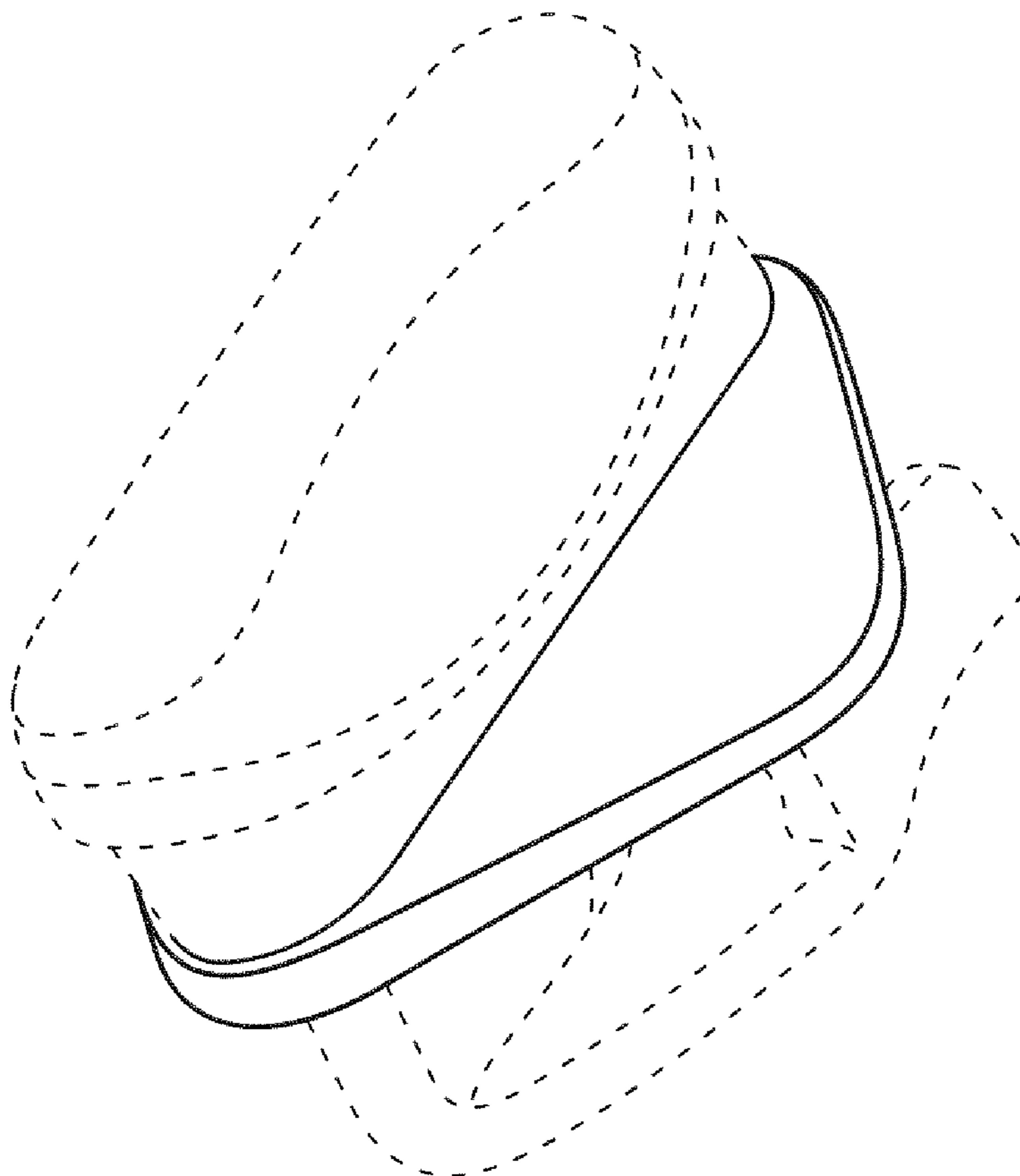
We claim an ornamental design for a zipper slider base, as shown and described.

DESCRIPTION

FIG. 1 is a perspective view of the zipper slider base, showing our new design;
FIG. 2 is a right side view thereof;
FIG. 3 is a left side view thereof;
FIG. 4 is a top view thereof;
FIG. 5 is a bottom view thereof;
FIG. 6 is a back view thereof; and,
FIG. 7 is a front view thereof.

The dashed lines are included for illustrating environmental structure and form no part of the claimed design.

1 Claim, 2 Drawing Sheets



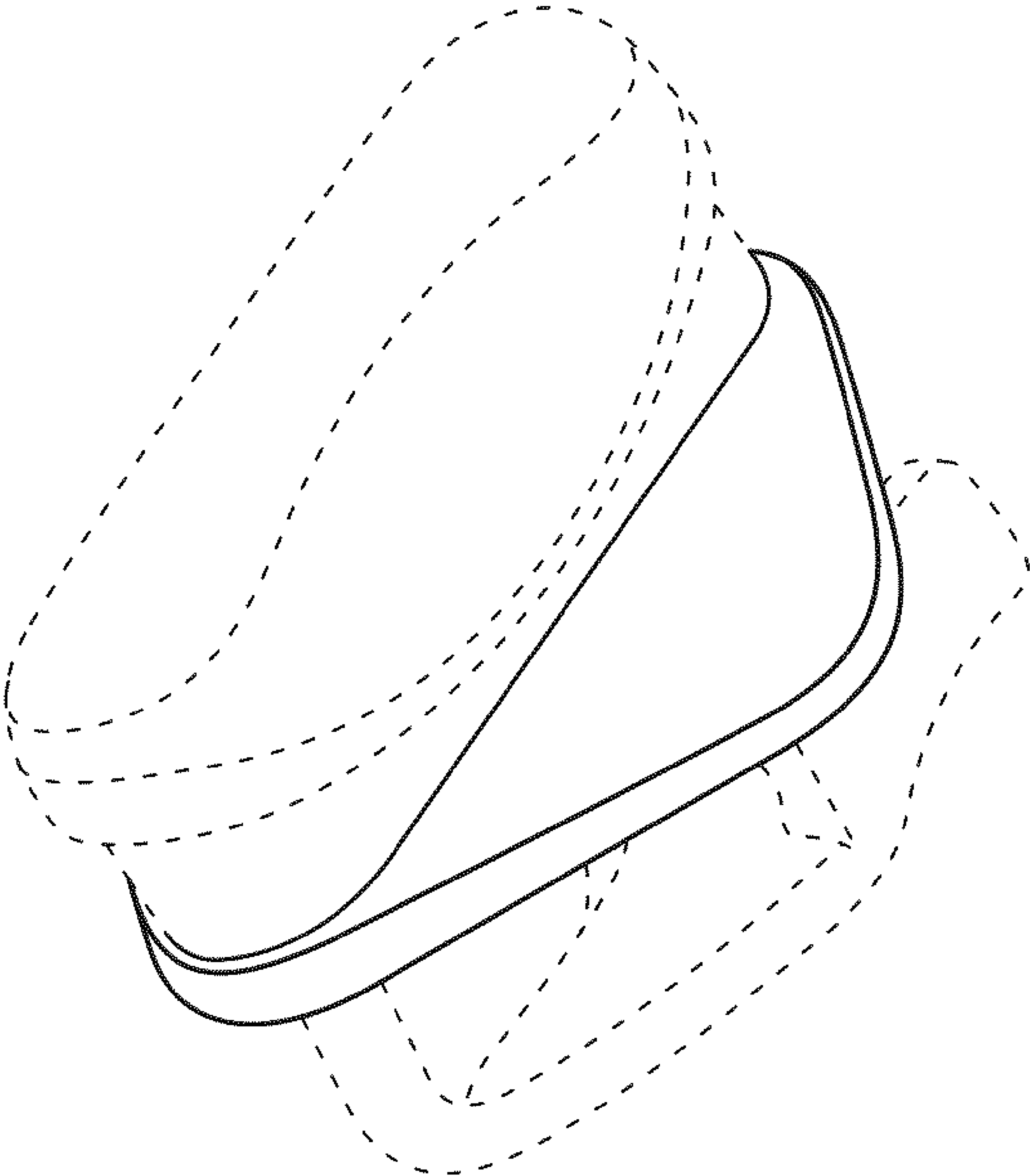


FIG. 1

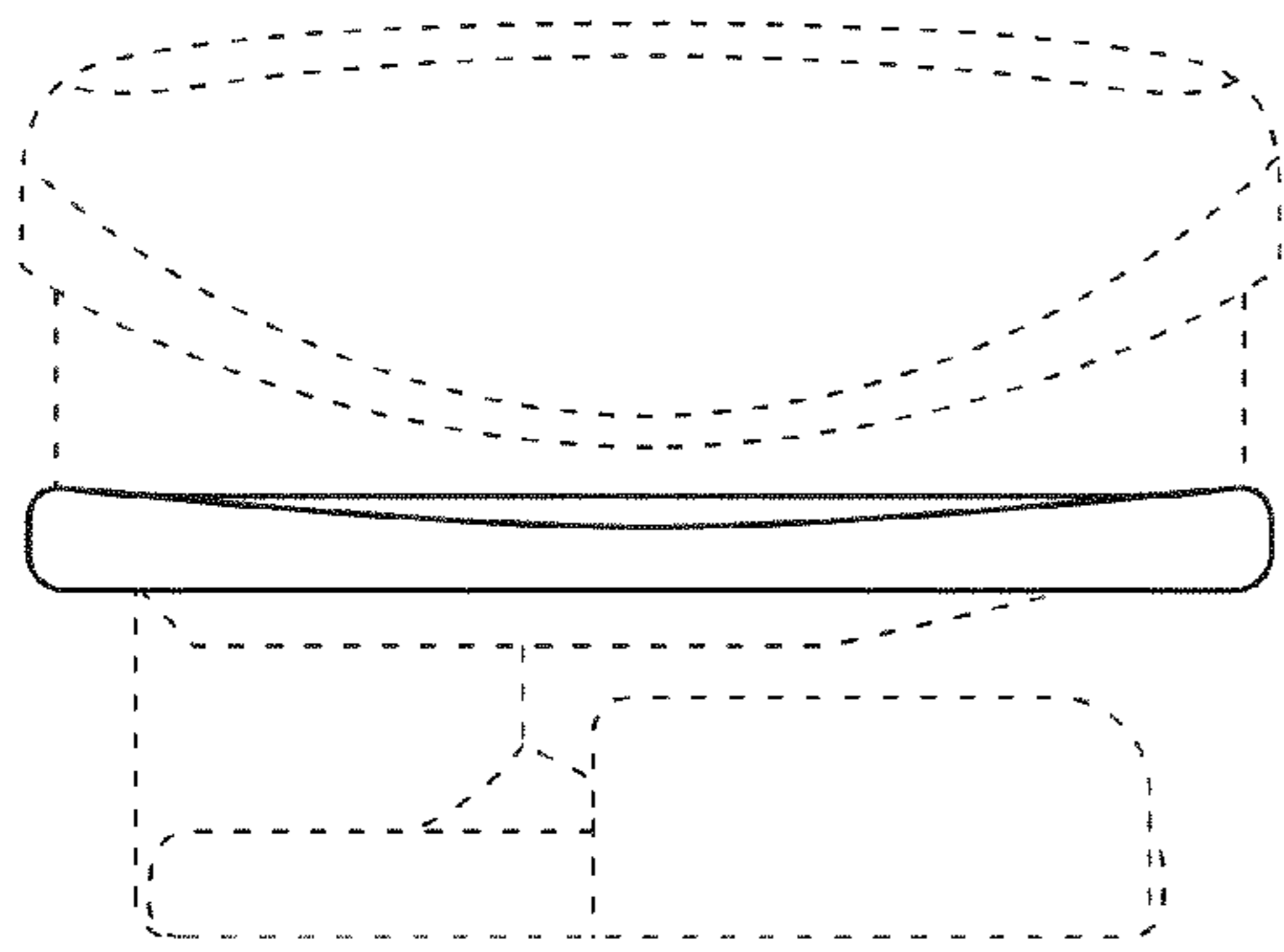


FIG. 2

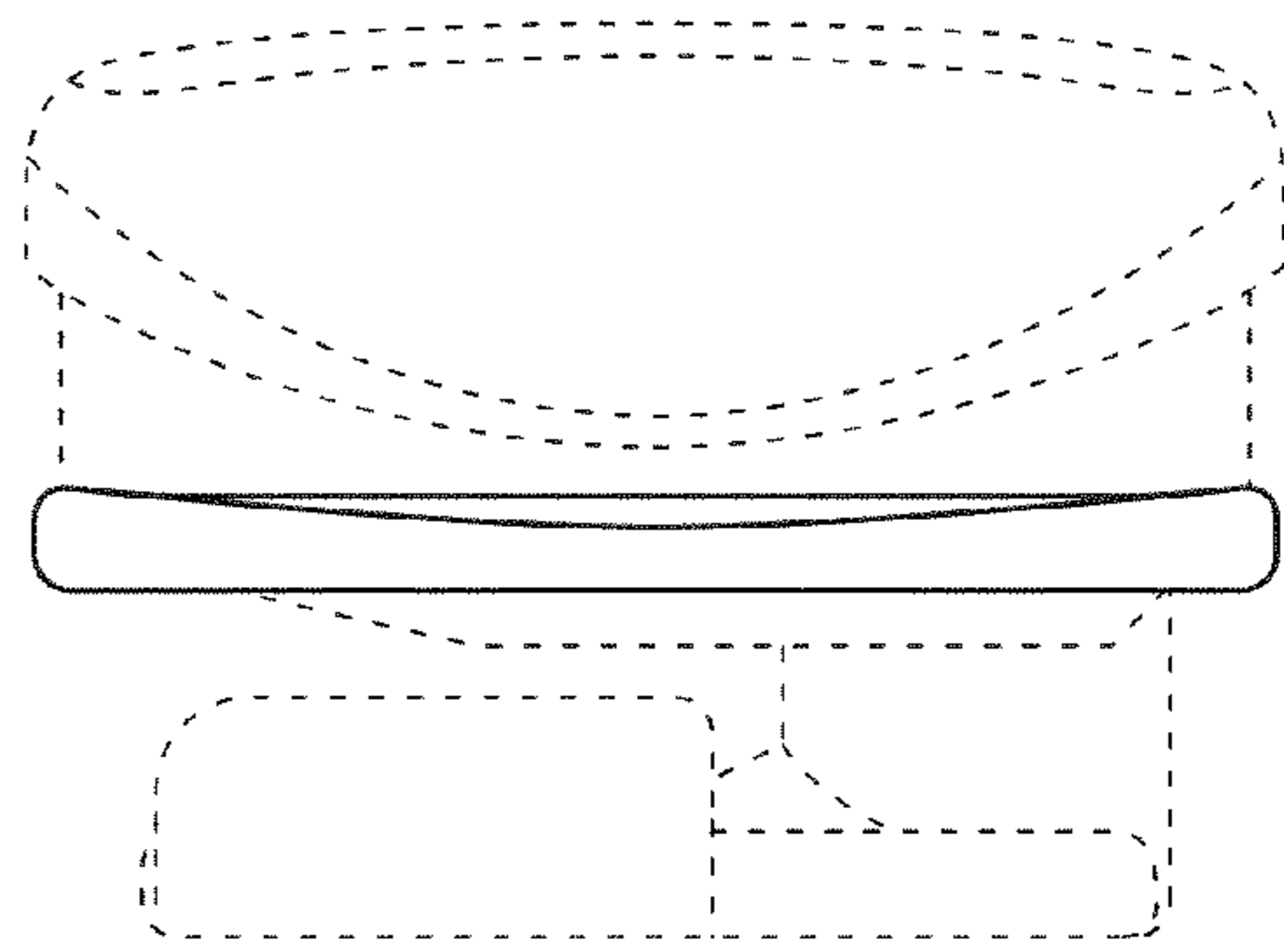


FIG. 3

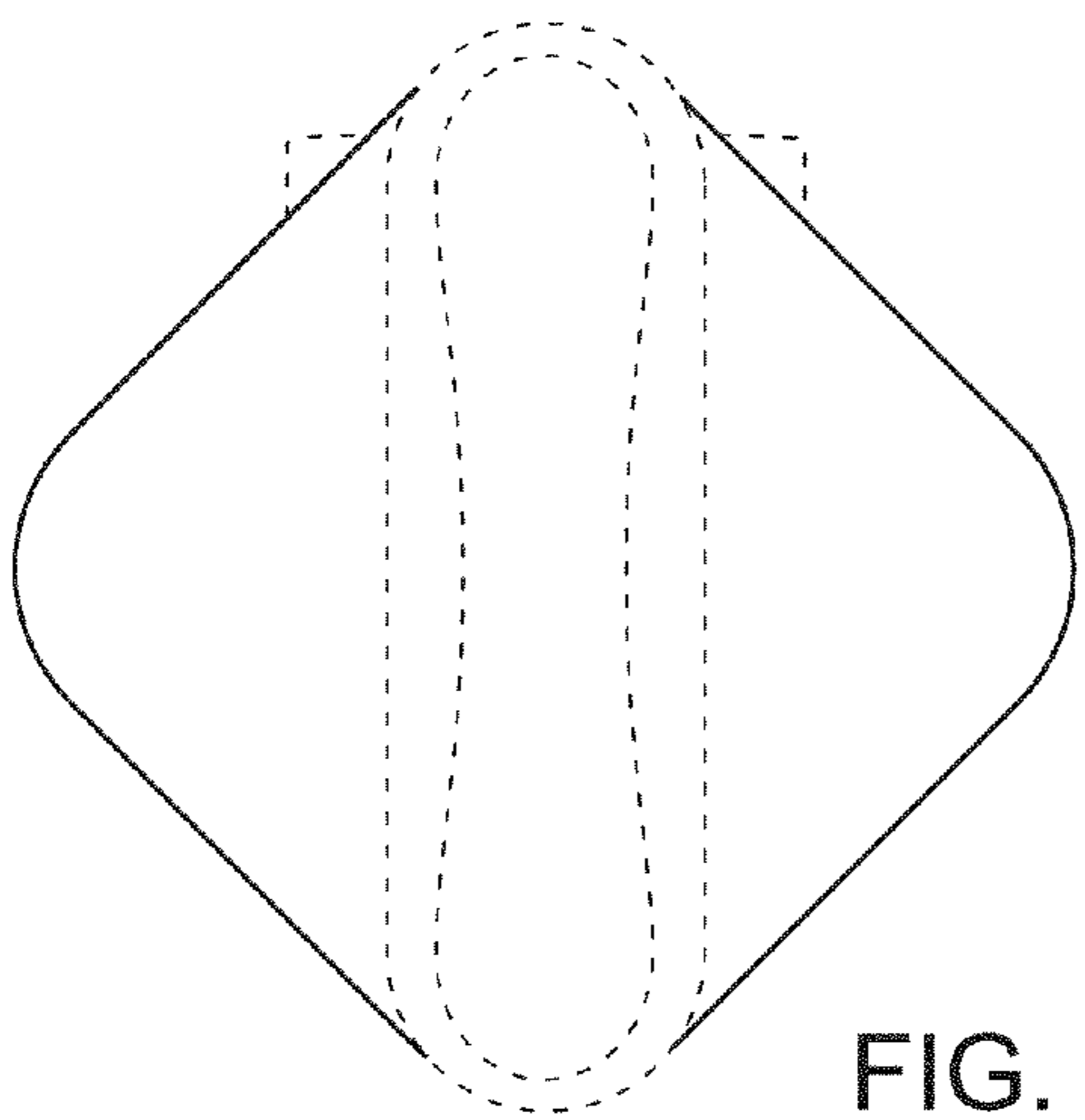


FIG. 4

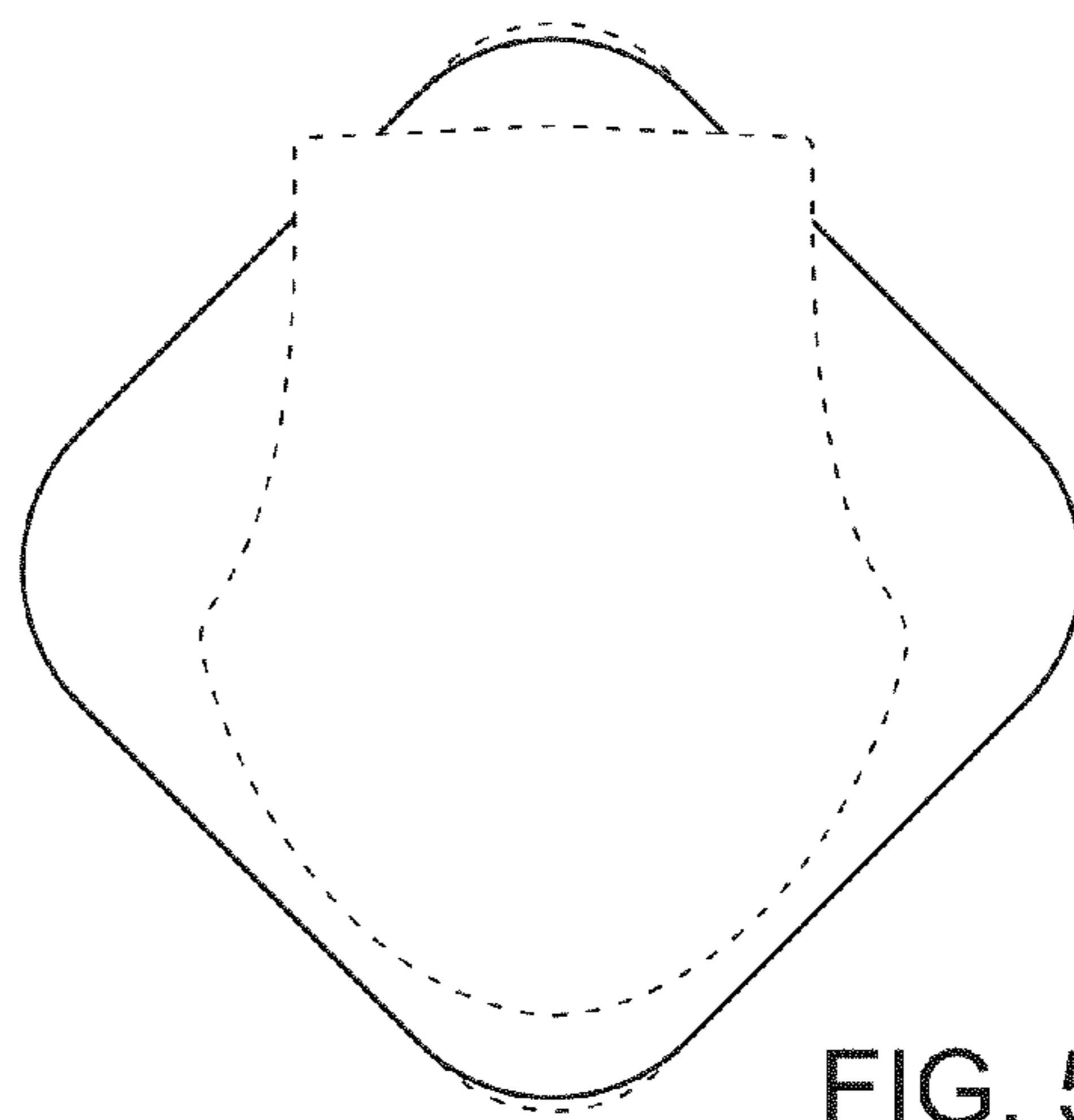


FIG. 5

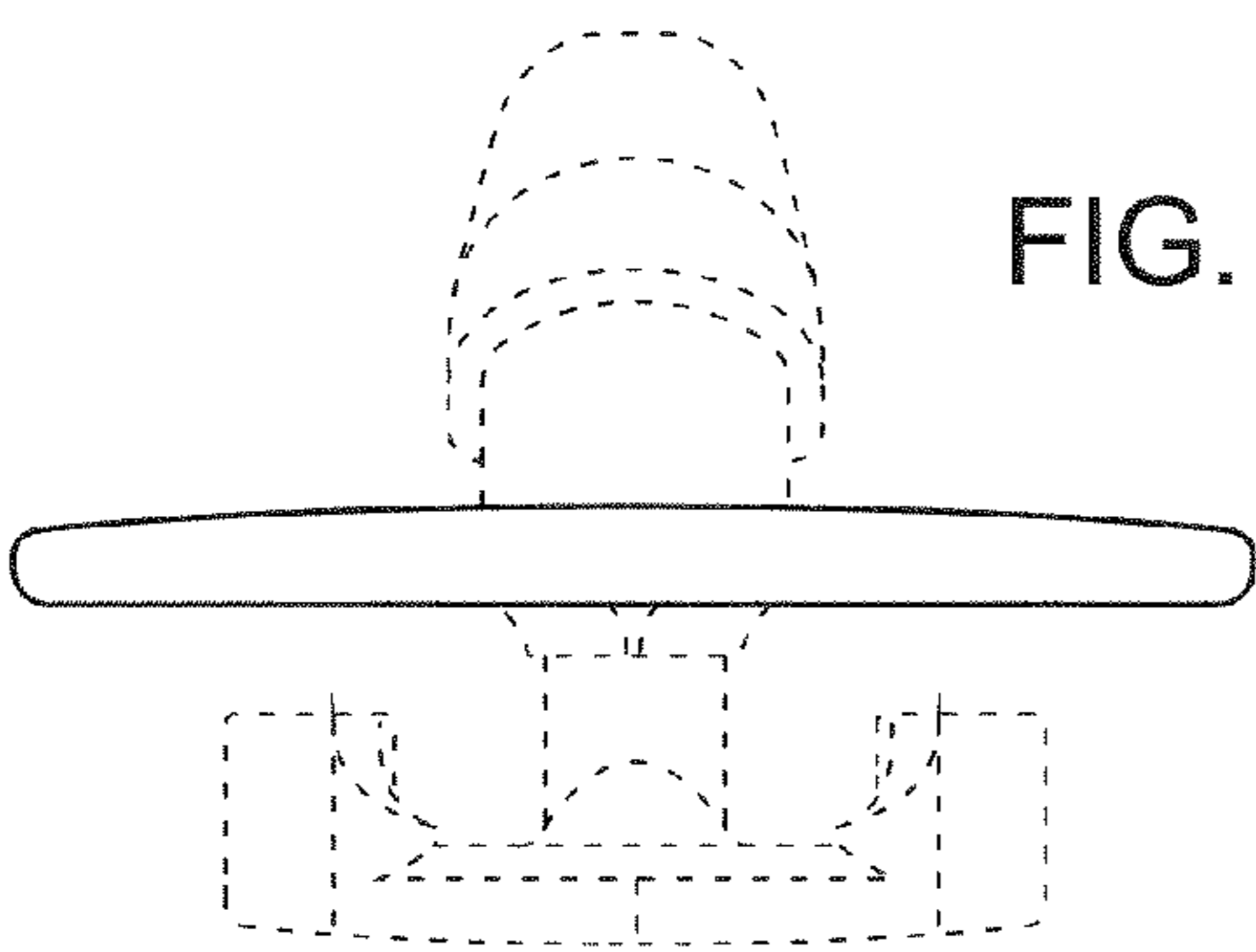


FIG. 6

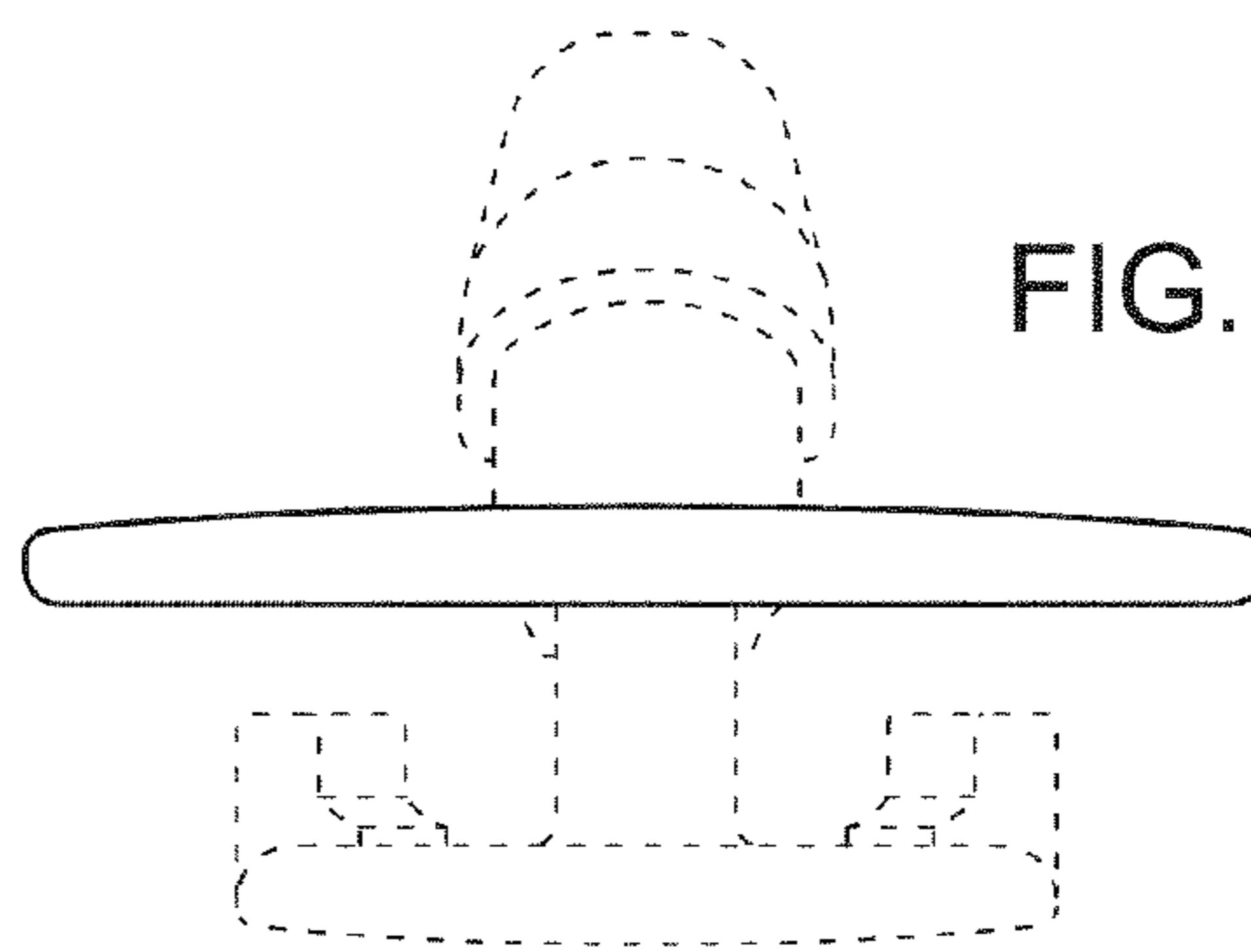


FIG. 7