



US00D644946S

(12) **United States Design Patent**
Silberberg

(10) **Patent No.:** **US D644,946 S**

(45) **Date of Patent:** **** Sep. 13, 2011**

(54) **BUBBLE LEVEL**

(75) **Inventor:** **Mark L Silberberg**, Rancho Palos Verdes, CA (US)

(73) **Assignee:** **Precision Designed Products, Inc.**, Torrance, CA (US)

(**) **Term:** **14 Years**

(21) **Appl. No.:** **29/388,059**

(22) **Filed:** **Mar. 23, 2011**

(51) **LOC (9) Cl.** **10-04**

(52) **U.S. Cl.** **D10/69**

(58) **Field of Classification Search** D10/69;
33/365, 366.11-366.27, 367-391
See application file for complete search history.

(56) **References Cited**

U.S. PATENT DOCUMENTS

D371,309 S	7/1996	Webb
D395,013 S	6/1998	Webb
D409,100 S	5/1999	Brimer
D411,470 S	6/1999	Webb
D463,298 S	9/2002	Webb
D503,349 S	3/2005	Webb
D509,158 S	9/2005	Silberberg

D538,186 S	3/2007	Silberberg
D539,679 S	4/2007	Silberberg
D576,063 S	9/2008	Silberberg
D595,165 S	6/2009	Silberberg
D613,194 S	4/2010	Silberberg
D626,020 S	* 10/2010	Sabaschkow D10/69

* cited by examiner

Primary Examiner — Antoine D Davis

(74) *Attorney, Agent, or Firm* — Altman & Martin; Steven K Martin

(57) **CLAIM**

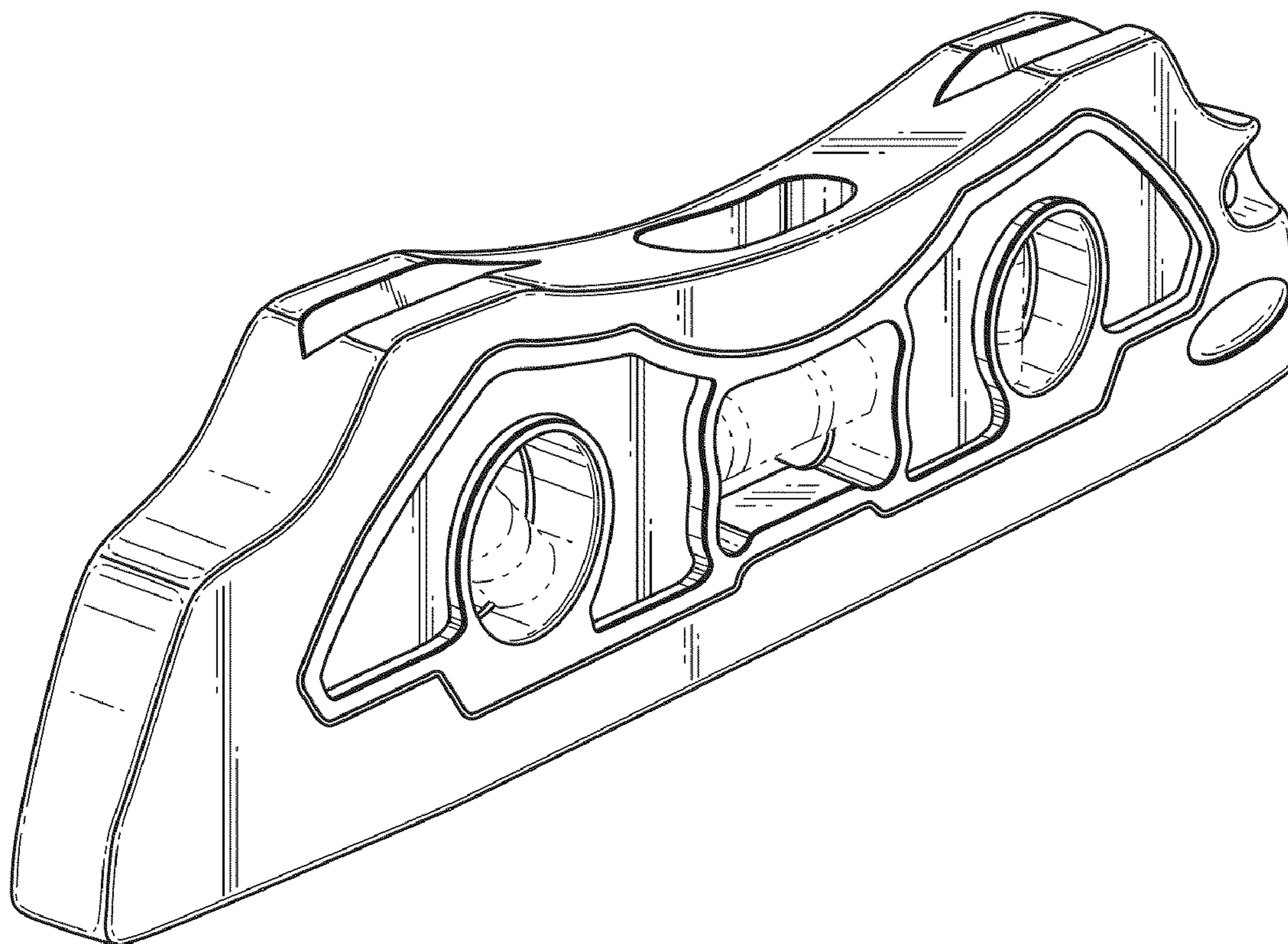
The ornamental design for the bubble level, as shown and described.

DESCRIPTION

FIG. 1 is an isometric view of the bubble level; FIG. 2 is a front elevational view of the bubble level; FIG. 3 is a back elevational view of the bubble level; FIG. 4 is a left side elevational view of the bubble level; FIG. 5 is a right side elevational view of the bubble level; FIG. 6 is a top plan view of the bubble level; and, FIG. 7 is a bottom plan view of the bubble level.

It is understood that the dashed lines presented in the drawings are for illustration only, and do not form a part of the claimed design.

1 Claim, 3 Drawing Sheets



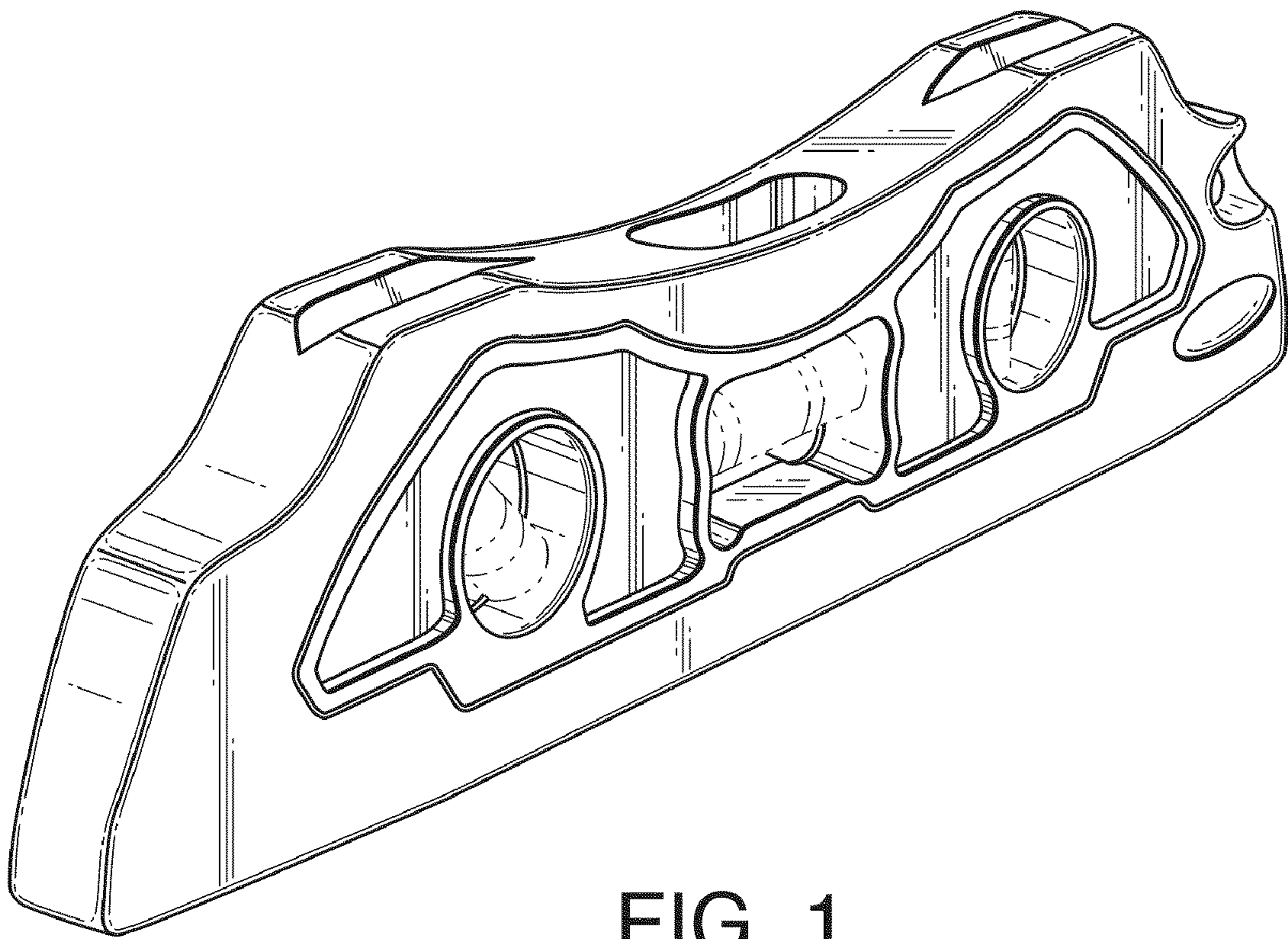


FIG. 1

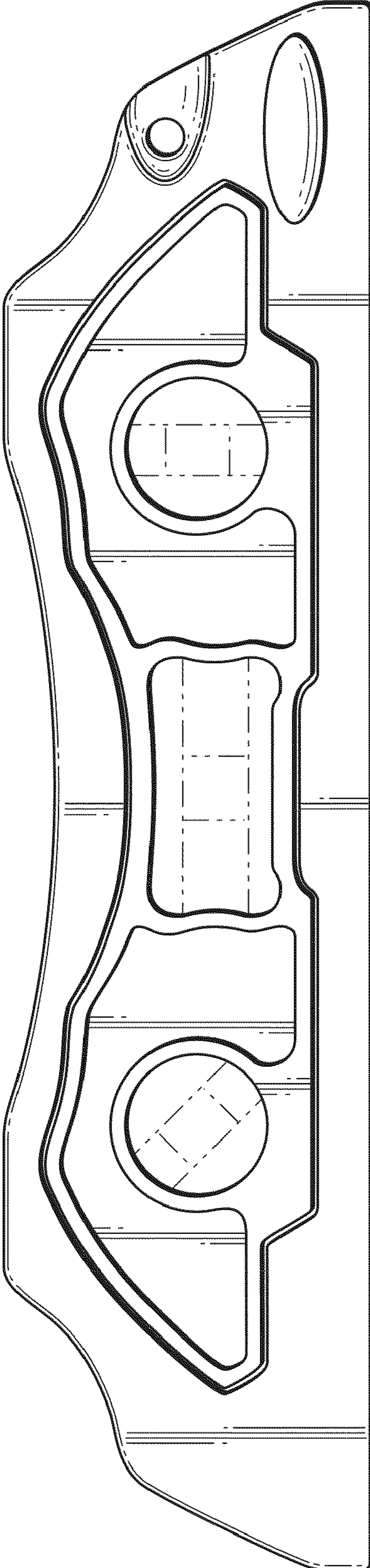


FIG. 2

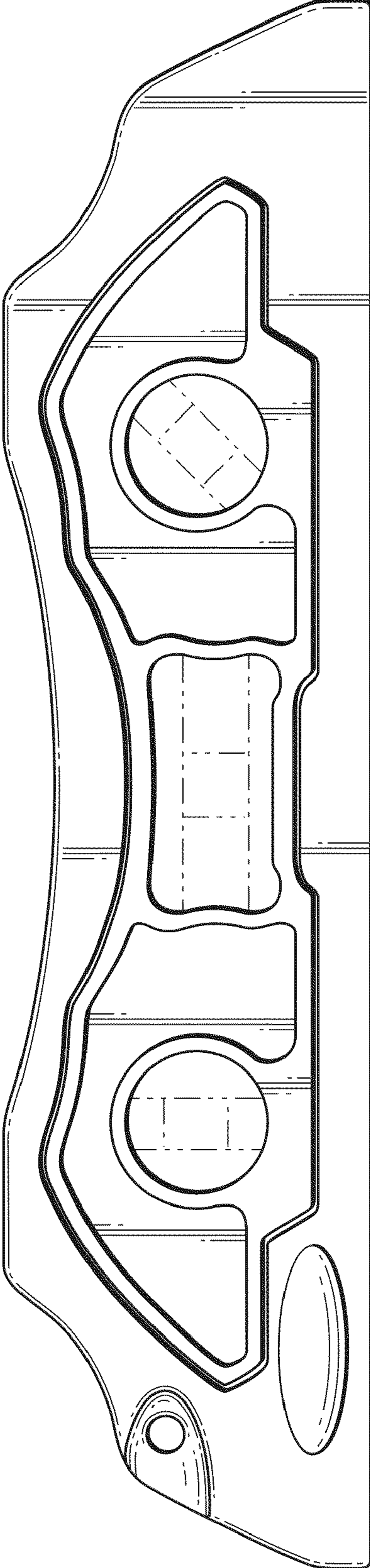


FIG. 3

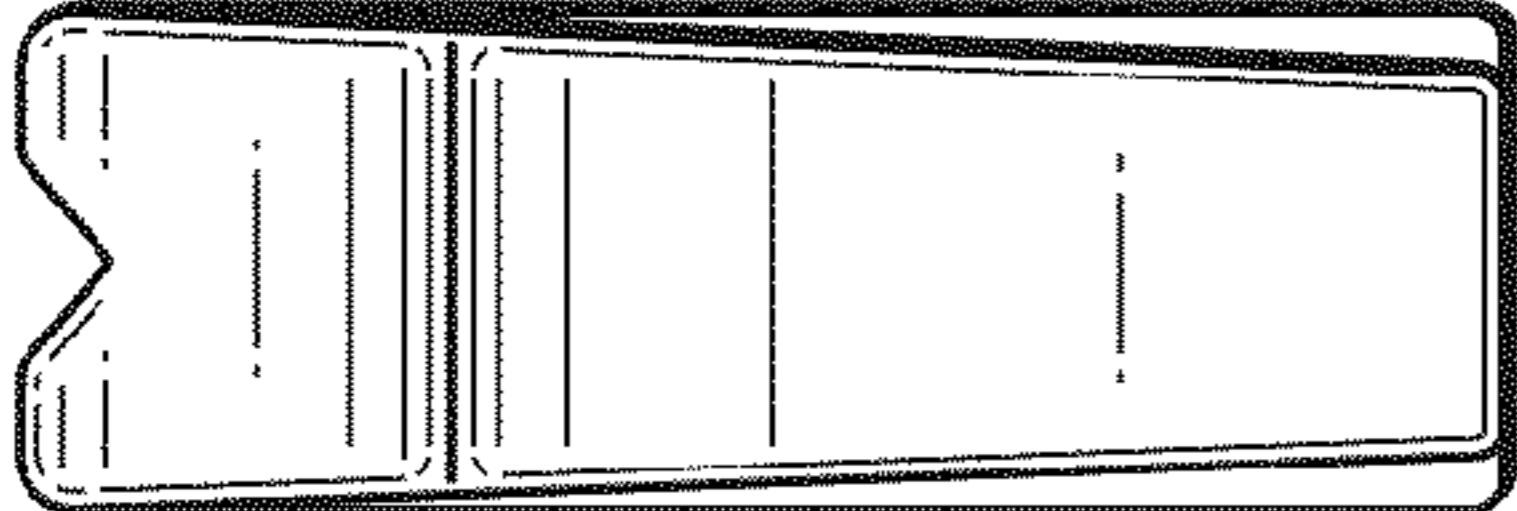


FIG. 4

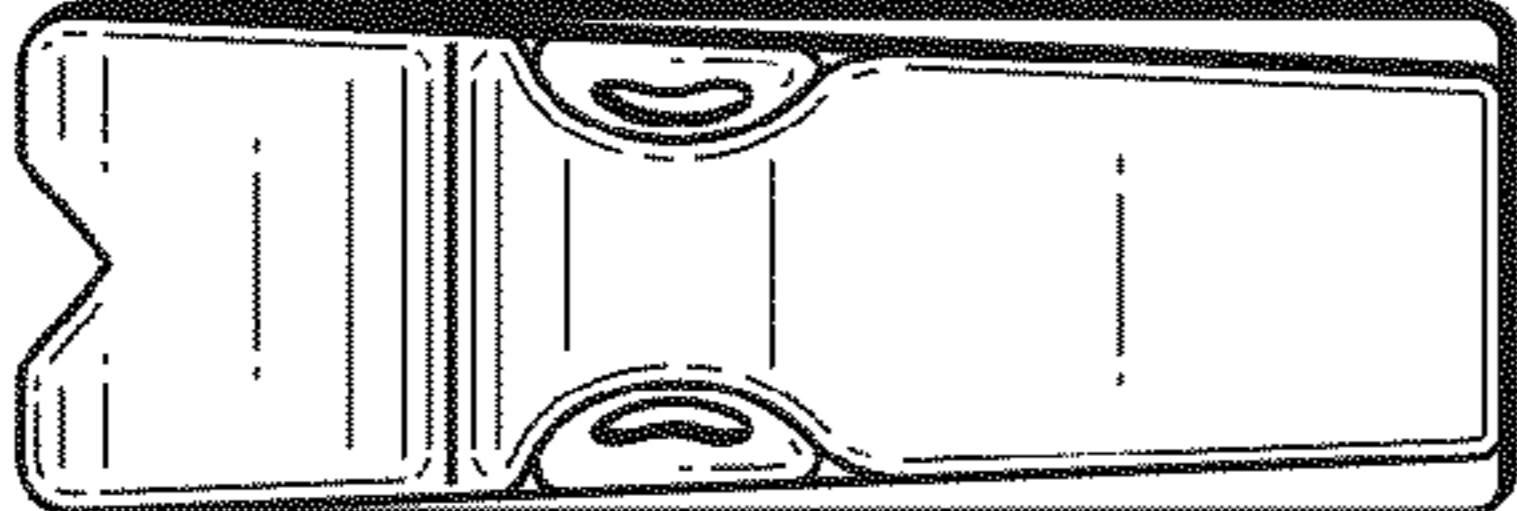


FIG. 5

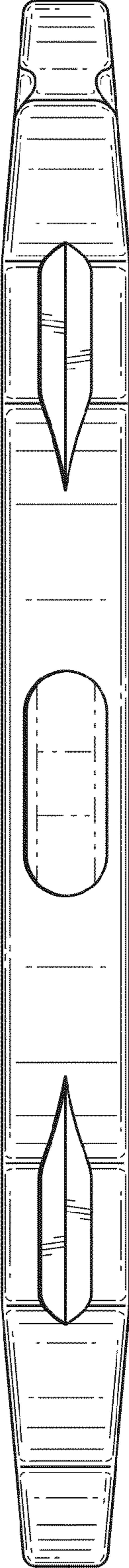


FIG. 6

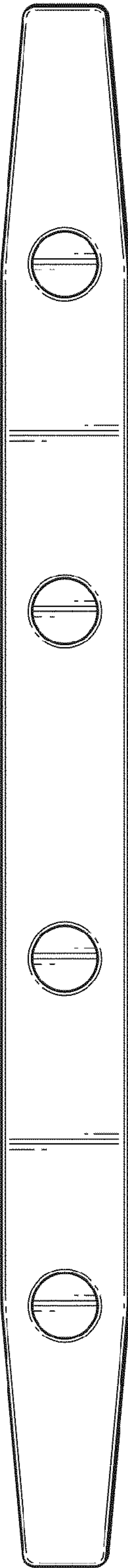


FIG. 7