



US00D644945S

(12) **United States Design Patent**  
**Silberberg**

(10) **Patent No.:** **US D644,945 S**

(45) **Date of Patent:** **\*\* Sep. 13, 2011**

(54) **BUBBLE LEVEL**

(75) Inventor: **Mark L Silberberg**, Rancho Palos Verdes, CA (US)

(73) Assignee: **Precision Designed Products, Inc.**, Torrance, CA (US)

(\*\*) Term: **14 Years**

(21) Appl. No.: **29/388,055**

(22) Filed: **Mar. 23, 2011**

(51) **LOC (9) Cl.** ..... **10-04**

(52) **U.S. Cl.** ..... **D10/69**

(58) **Field of Classification Search** ..... D10/69;  
33/365, 366.11-366.27, 367-391

See application file for complete search history.

(56) **References Cited**

**U.S. PATENT DOCUMENTS**

D371,309 S	7/1996	Webb	
D395,013 S	6/1998	Webb	
D409,100 S	5/1999	Brimer	
D411,470 S	6/1999	Webb	
D438,477 S	* 3/2001	Douglas	..... D10/69
D463,298 S	9/2002	Webb	
D498,686 S	* 11/2004	Levinson et al.	..... D10/69
D503,349 S	3/2005	Webb	

D509,158 S	9/2005	Silberberg	
D513,198 S	* 12/2005	Levinson	..... D10/69
D538,186 S	3/2007	Silberberg	
D539,679 S	4/2007	Silberberg	
D576,063 S	9/2008	Silberberg	
D595,165 S	6/2009	Silberberg	
D613,194 S	4/2010	Silberberg	

\* cited by examiner

*Primary Examiner* — Antoine D Davis

(74) *Attorney, Agent, or Firm* — Altman & Martin; Steven K Martin

(57) **CLAIM**

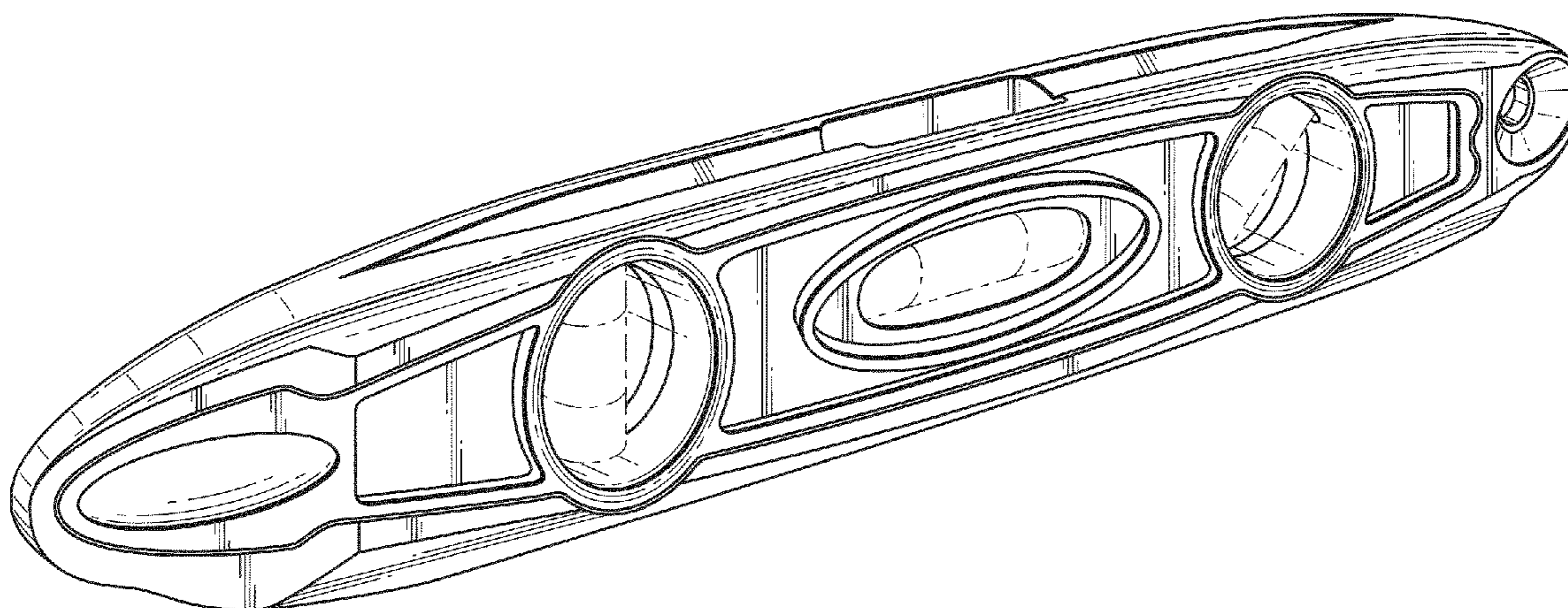
The ornamental design for the bubble level, as shown and described.

**DESCRIPTION**

FIG. 1 is an isometric view of the bubble level;  
FIG. 2 is a front elevational view of the bubble level;  
FIG. 3 is a back elevational view of the bubble level;  
FIG. 4 is a left side elevational view of the bubble level;  
FIG. 5 is a right side elevational view of the bubble level;  
FIG. 6 is a top plan view of the bubble level; and,  
FIG. 7 is a bottom plan view of the bubble level.

It is understood that the dashed lines presented in the drawings are for illustration only, and do not form a part of the claimed design.

**1 Claim, 3 Drawing Sheets**



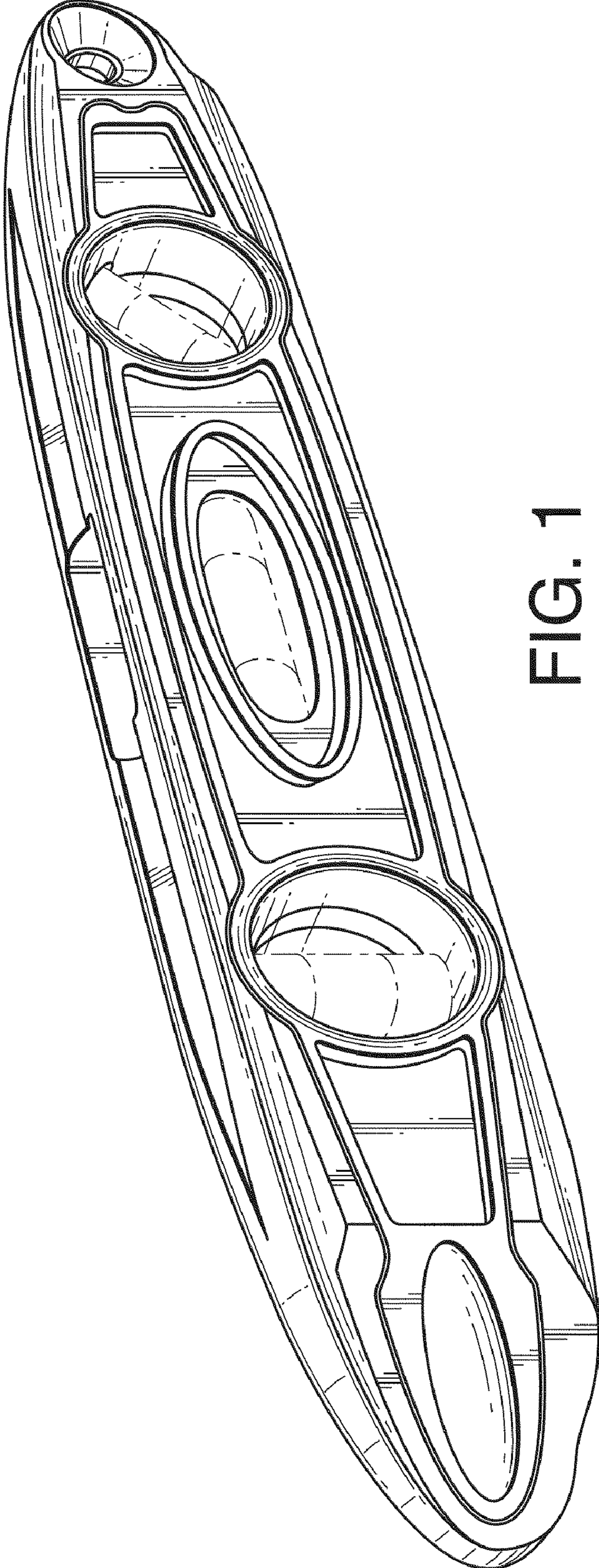


FIG. 1

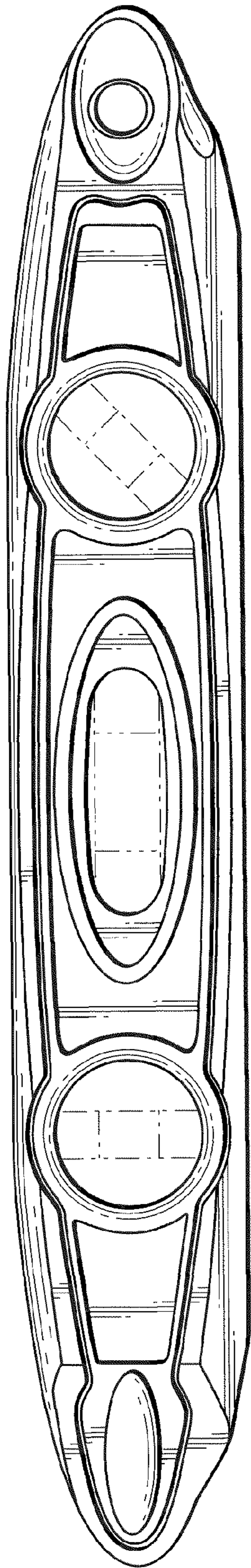


FIG. 2

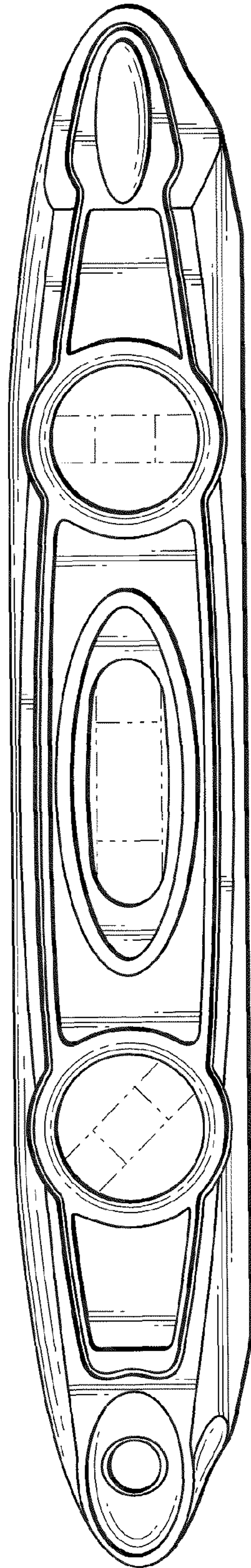


FIG. 3

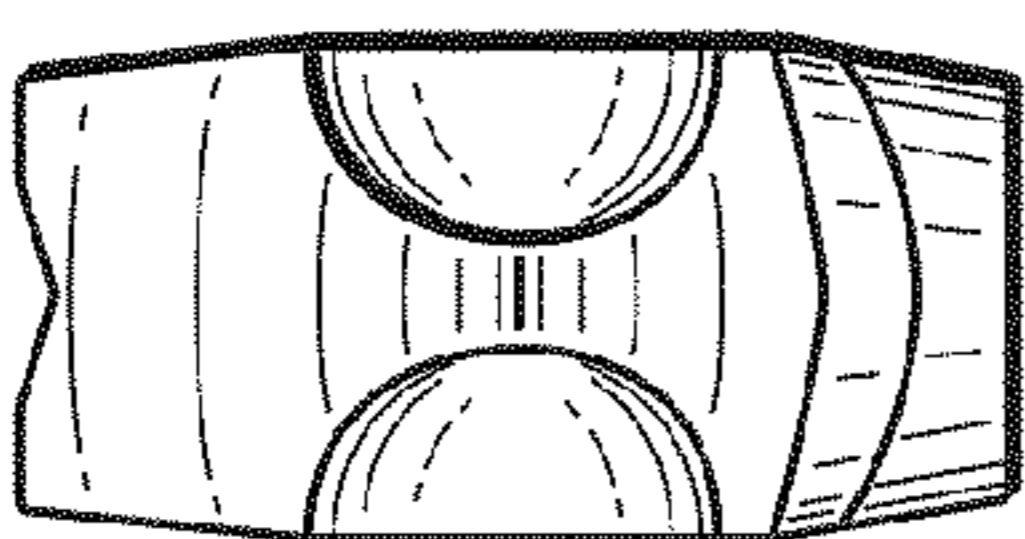


FIG. 4

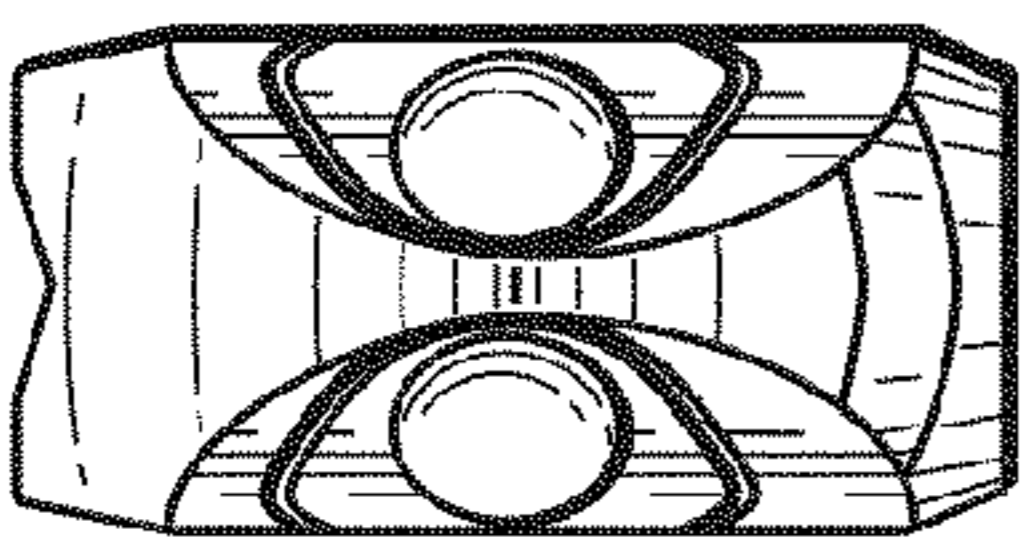


FIG. 5

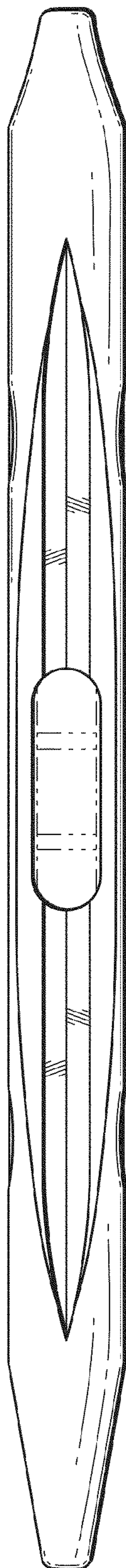


FIG. 6

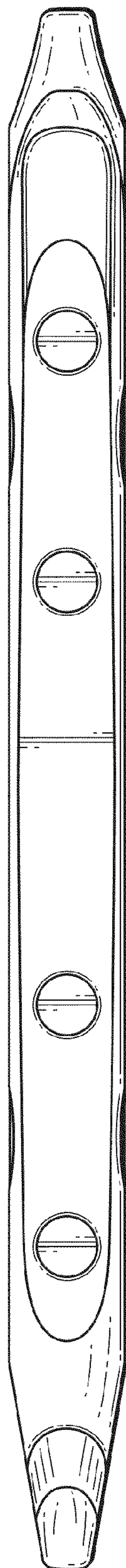


FIG. 7