



US00D644944S

(12) **United States Design Patent**
Kallabis et al.

(10) **Patent No.:** **US D644,944 S**

(45) **Date of Patent:** **** Sep. 13, 2011**

(54) **LEVEL WITH ASYMMETRIC PROFILE**

(75) Inventors: **Gabriel Kallabis**, Spirkelbach (DE);
Thorsten Setzer, Annweiler (DE)

(73) Assignee: **Stabila Messgerate Gustav Ullrich GmbH**, Annweiler (DE)

(**) Term: **14 Years**

(21) Appl. No.: **29/385,488**

(22) Filed: **Feb. 15, 2011**

(51) **LOC (9) Cl.** **10-04**

(52) **U.S. Cl.** **D10/69**

(58) **Field of Classification Search** D10/69;
33/365, 366.11-366.27, 367-391

See application file for complete search history.

(56) **References Cited**

U.S. PATENT DOCUMENTS

D625,631 S * 10/2010 Ben-Josef et al. D10/69

D627,668 S * 11/2010 Piencikowski D10/69

* cited by examiner

Primary Examiner — Antoine D Davis

(74) *Attorney, Agent, or Firm* — Dennison, Schultz & MacDonald

(57) **CLAIM**

The ornamental design for a level with asymmetric profile, as shown and described.

DESCRIPTION

FIG. 1 is a front right perspective view showing our new design;

FIG. 2 is a front elevational view thereof;

FIG. 3 is a bottom plan view thereof;

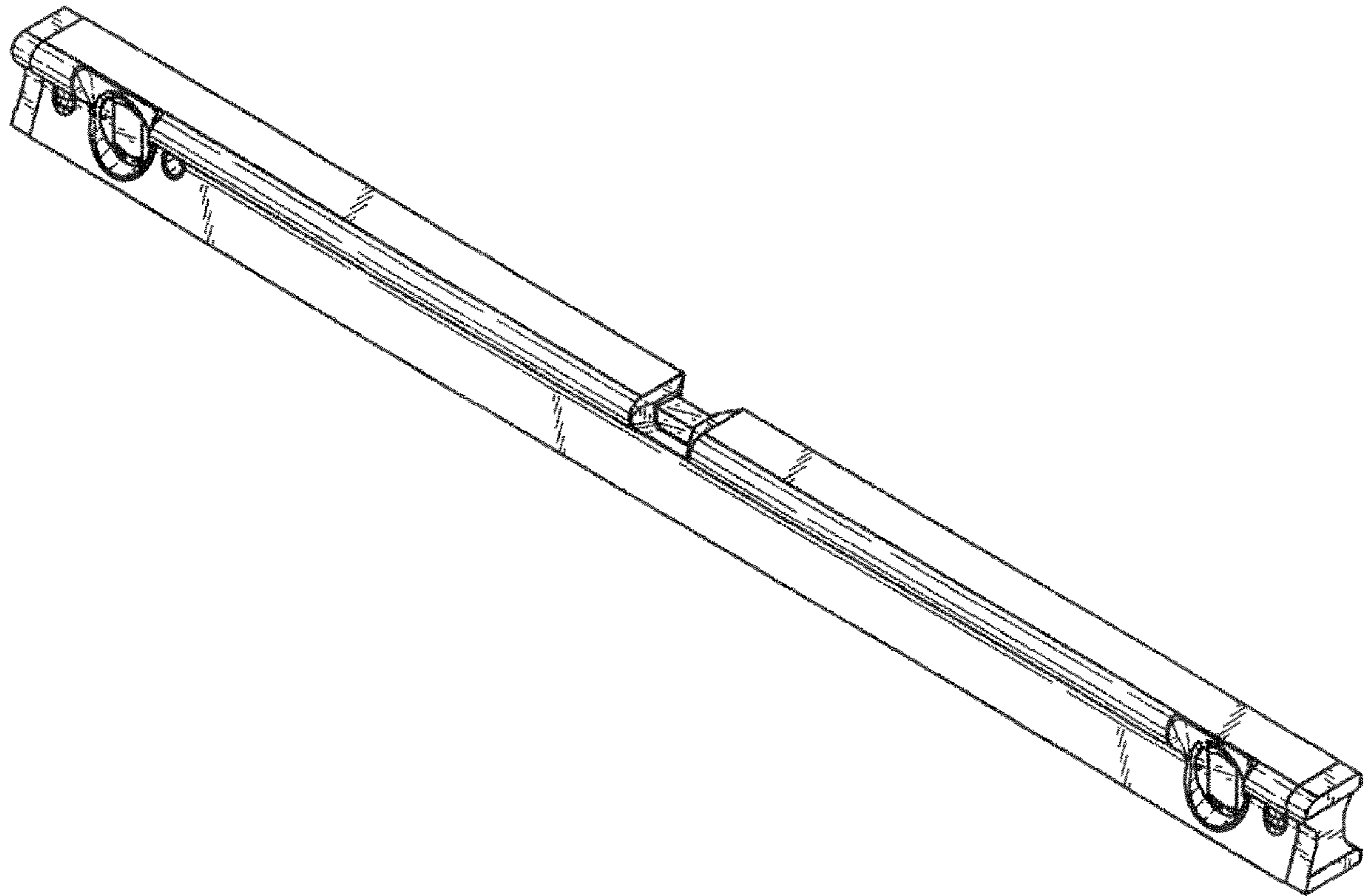
FIG. 4 is a rear inverted elevational view thereof;

FIG. 5 is a top plan view thereof;

FIG. 6 is a left elevational view thereof; and,

FIG. 7 is a right elevational view thereof.

1 Claim, 2 Drawing Sheets



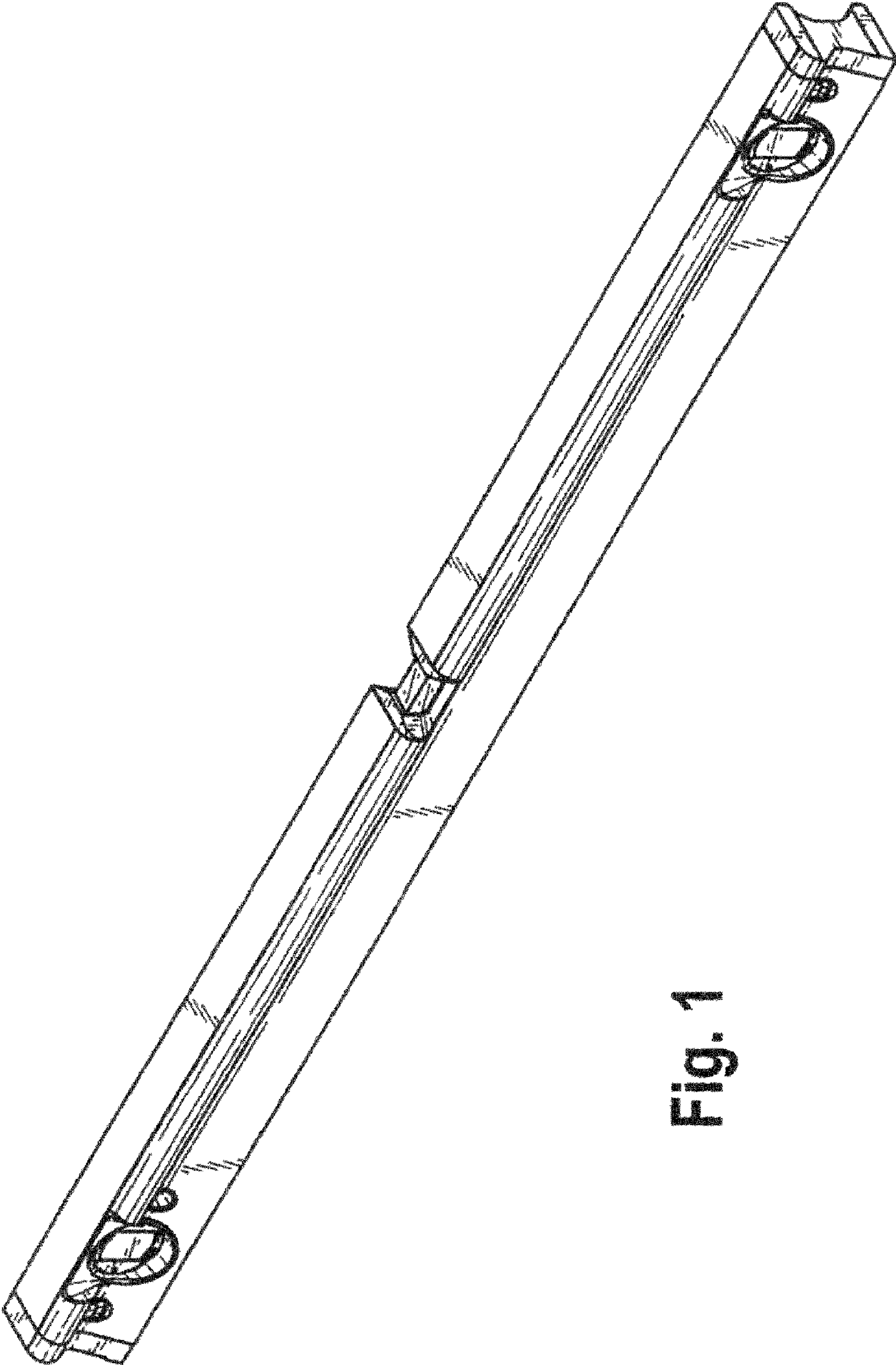


Fig. 1

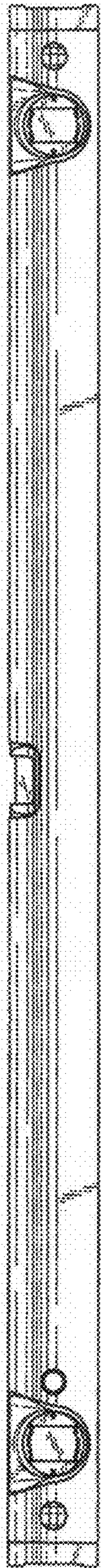


Fig. 2

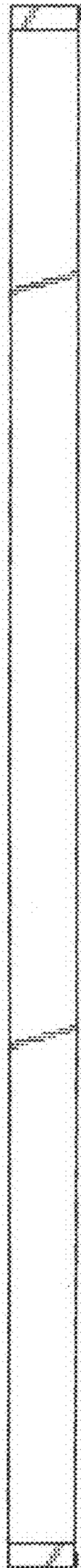


Fig. 3



Fig. 4

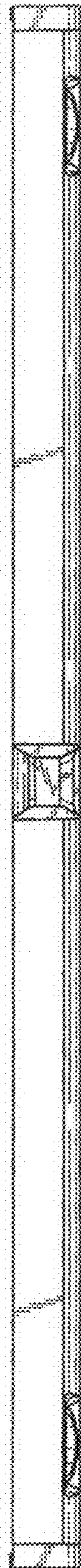


Fig. 5

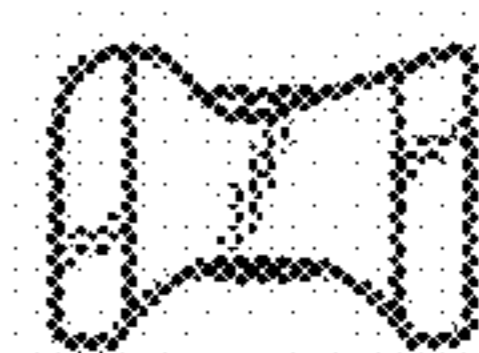


Fig. 6

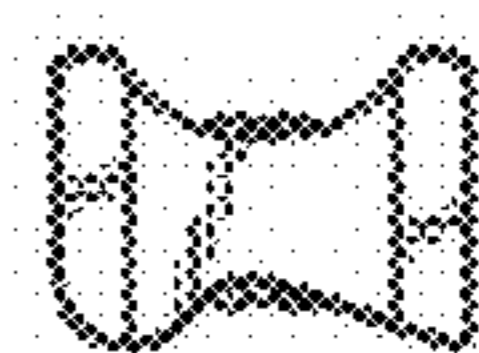


Fig. 7