



US00D644940S

(12) **United States Design Patent**
Hermans

(10) **Patent No.:** **US D644,940 S**

(45) **Date of Patent:** **** Sep. 13, 2011**

(54) **CONTAINER**

(75) Inventor: **Lucas Hermans**, Stockholm (SE)

(73) Assignee: **Fiedler & Lundgren AB**, Malmö (SE)

(**) Term: **14 Years**

(21) Appl. No.: **29/361,173**

(22) Filed: **May 6, 2010**

(51) **LOC (9) Cl.** **09-03**

(52) **U.S. Cl.** **D9/772**

(58) **Field of Classification Search** D9/500,
D9/501, 503, 504, 730, 763, 772, 779, 780;
220/4.27, 521, 784; 215/321

See application file for complete search history.

(56) **References Cited**

U.S. PATENT DOCUMENTS

| | | | | | | |
|-----------|---|---|---------|--------------|-------|----------|
| 4,165,815 | A | * | 8/1979 | Vetter | | 220/4.27 |
| D352,896 | S | * | 11/1994 | Jones | | D9/503 |
| D512,636 | S | * | 12/2005 | Pace | | D9/504 |
| D513,386 | S | * | 1/2006 | Pace et al. | | D9/504 |
| D514,936 | S | * | 2/2006 | Pace et al. | | D9/504 |
| D515,426 | S | * | 2/2006 | Pace et al. | | D9/504 |
| D515,928 | S | * | 2/2006 | Pace | | D9/504 |
| D531,036 | S | * | 10/2006 | Bried et al. | | D9/504 |

D617,210 S * 6/2010 Abolfazlian et al. D9/772
* cited by examiner

Primary Examiner — Shanda C Hill

(74) *Attorney, Agent, or Firm* — Chadbourne & Parke LLP;
Walter G. Hanchuk

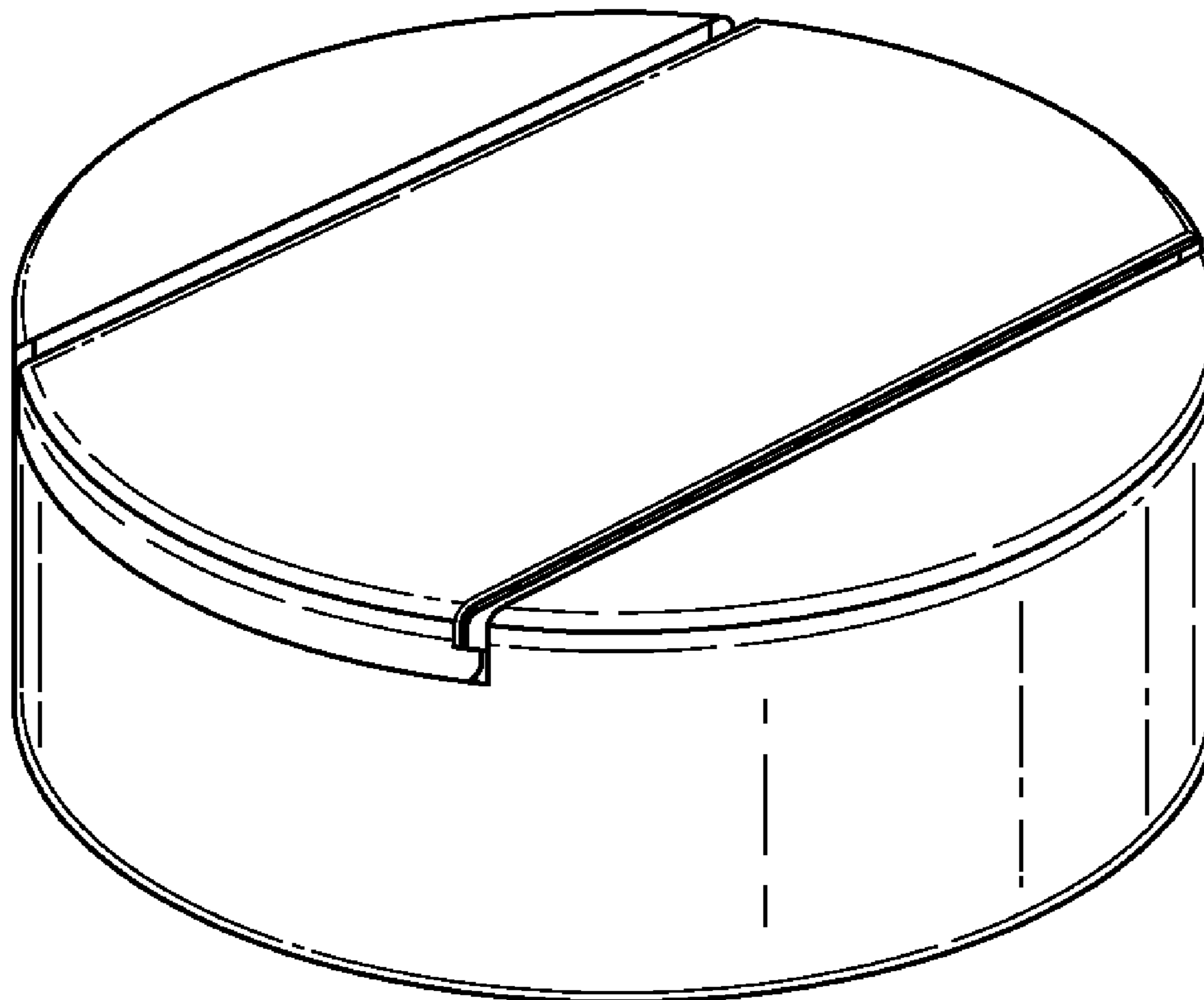
(57) **CLAIM**

The ornamental design for container, as shown and described.

DESCRIPTION

FIG. 1 is a front, top, perspective view of a first embodiment of a container showing my new design;
 FIG. 2 is a top view thereof;
 FIG. 3 is a bottom view thereof;
 FIG. 4 is a front side view thereof;
 FIG. 5 is a left side view thereof;
 FIG. 6 is a rear side view thereof;
 FIG. 7 is a right side view thereof.
 FIG. 8 is a front, top, perspective view of a second embodiment of the container;
 FIG. 9 is a top view thereof;
 FIG. 10 is a bottom view thereof;
 FIG. 11 is a front side view thereof;
 FIG. 12 is a left side view thereof;
 FIG. 13 is a rear side view thereof; and,
 FIG. 14 is a right side view thereof.

1 Claim, 4 Drawing Sheets



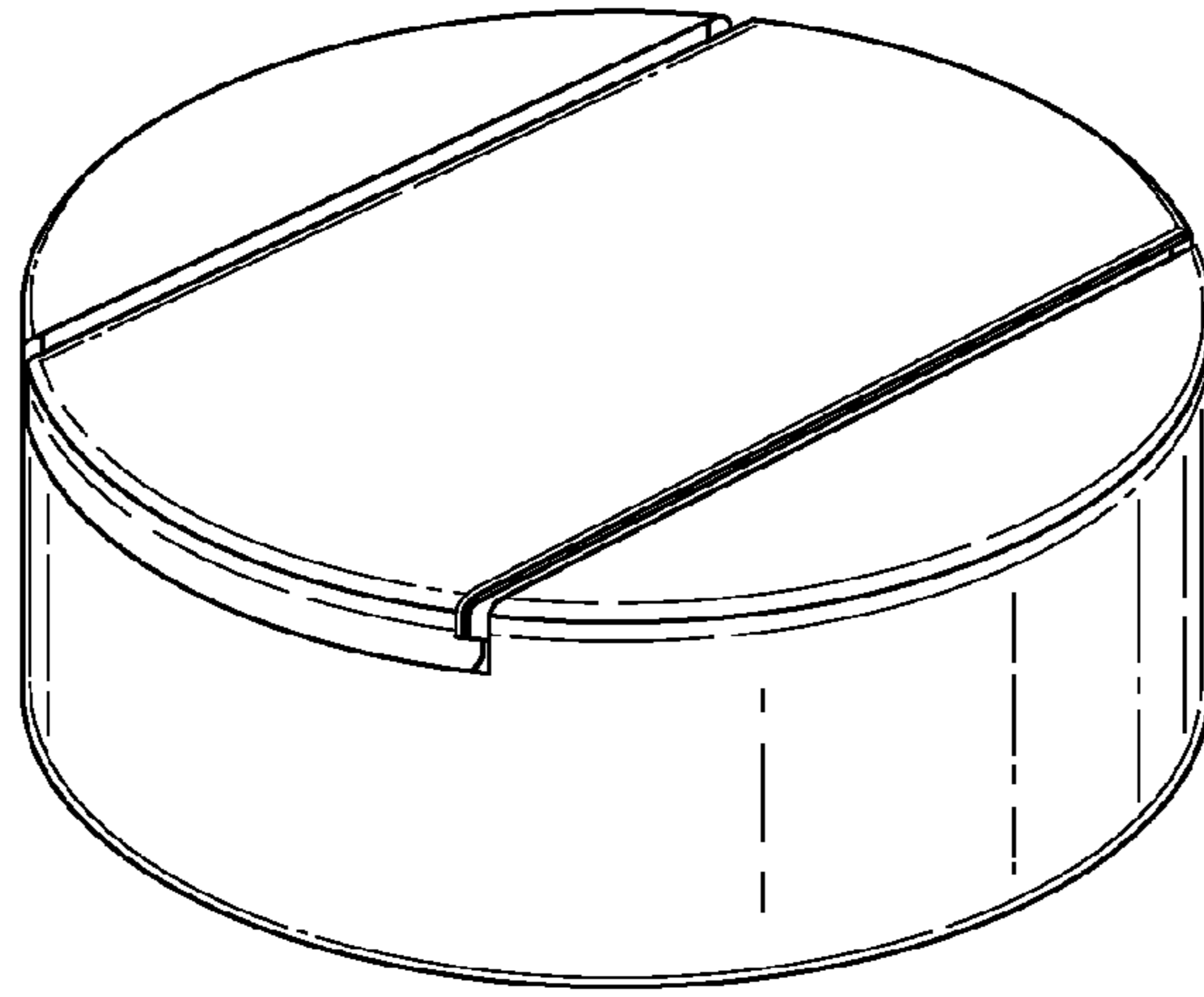


FIGURE 1

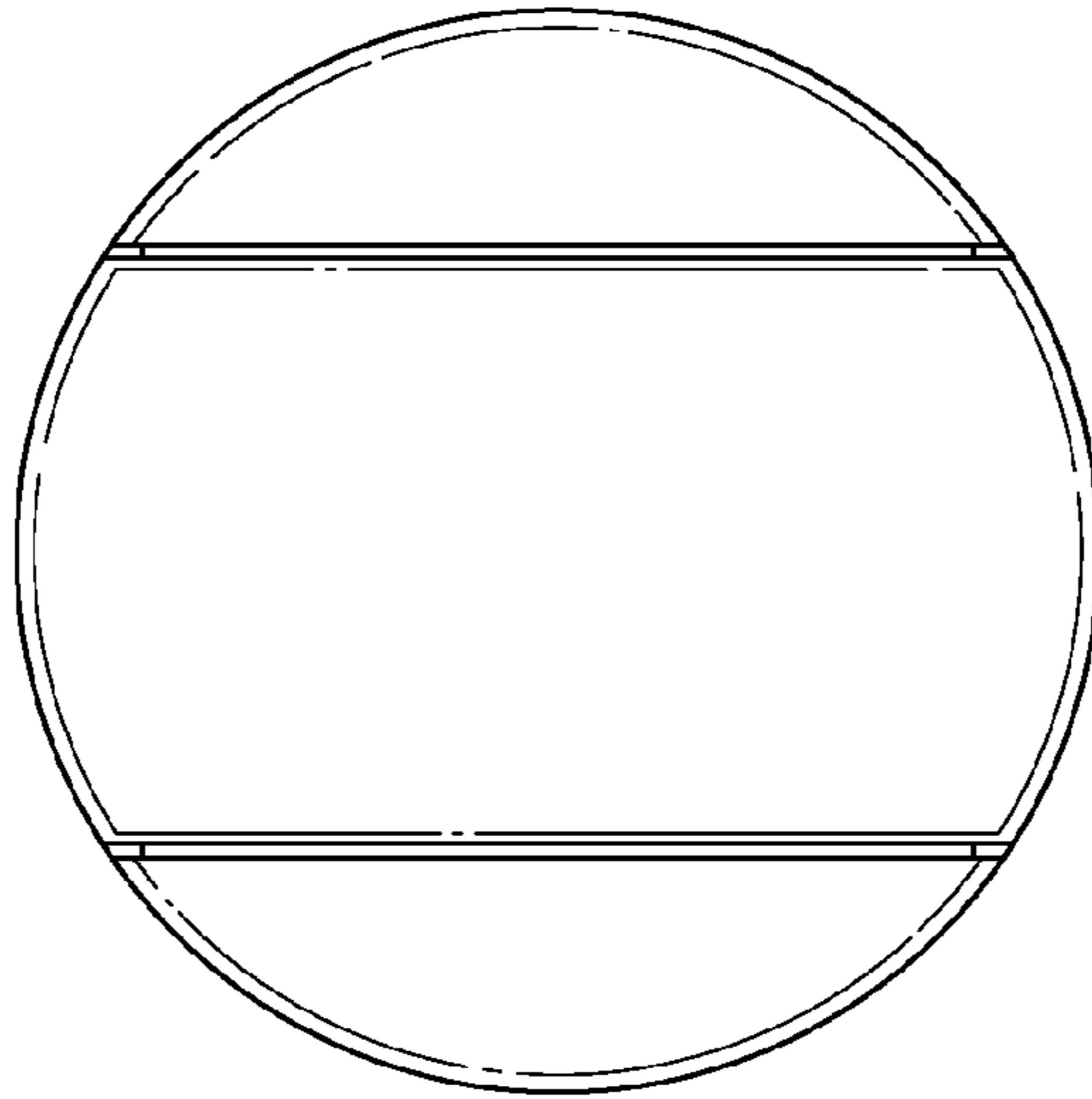


FIGURE 2

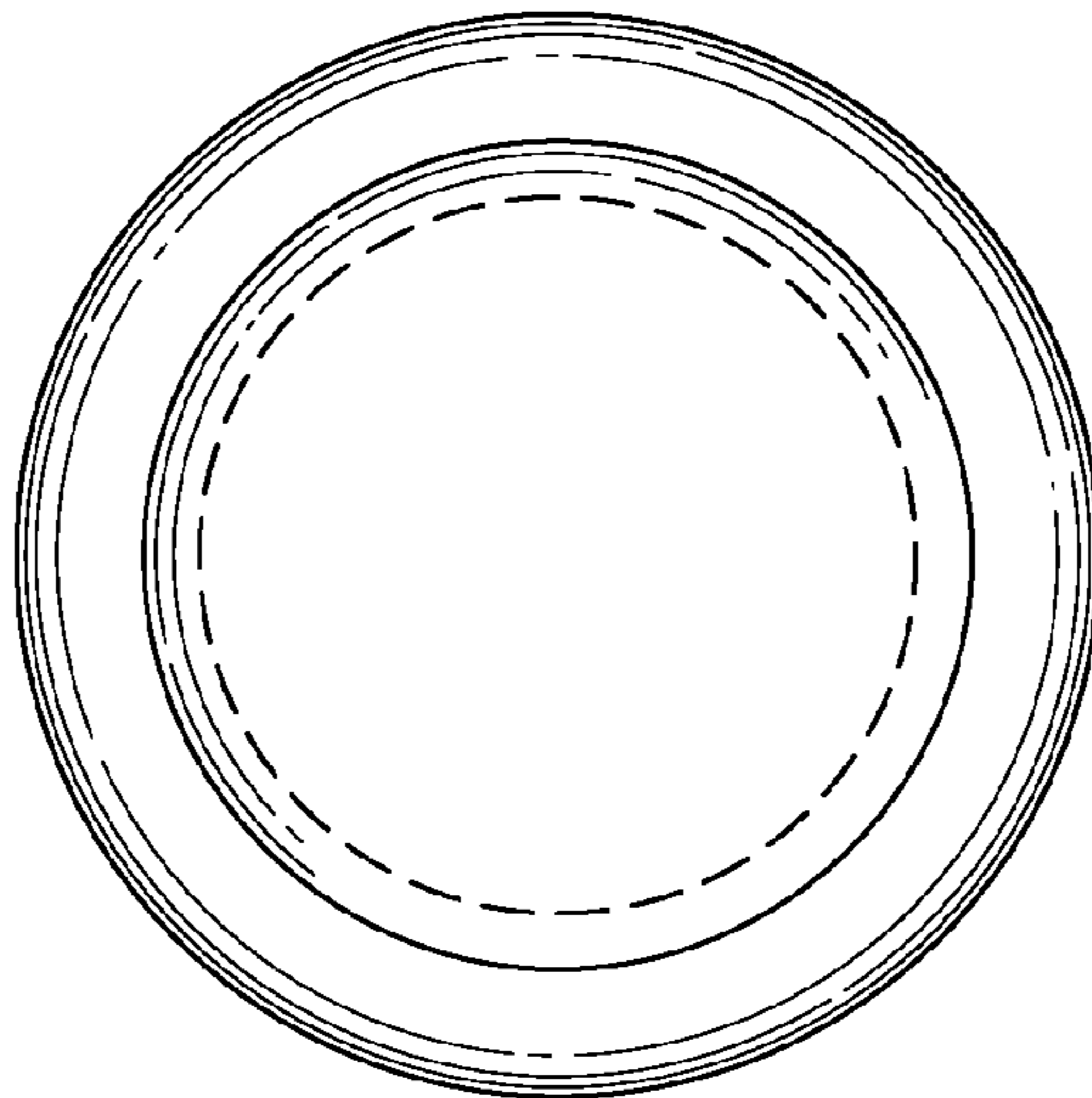


FIGURE 3

FIGURE 4

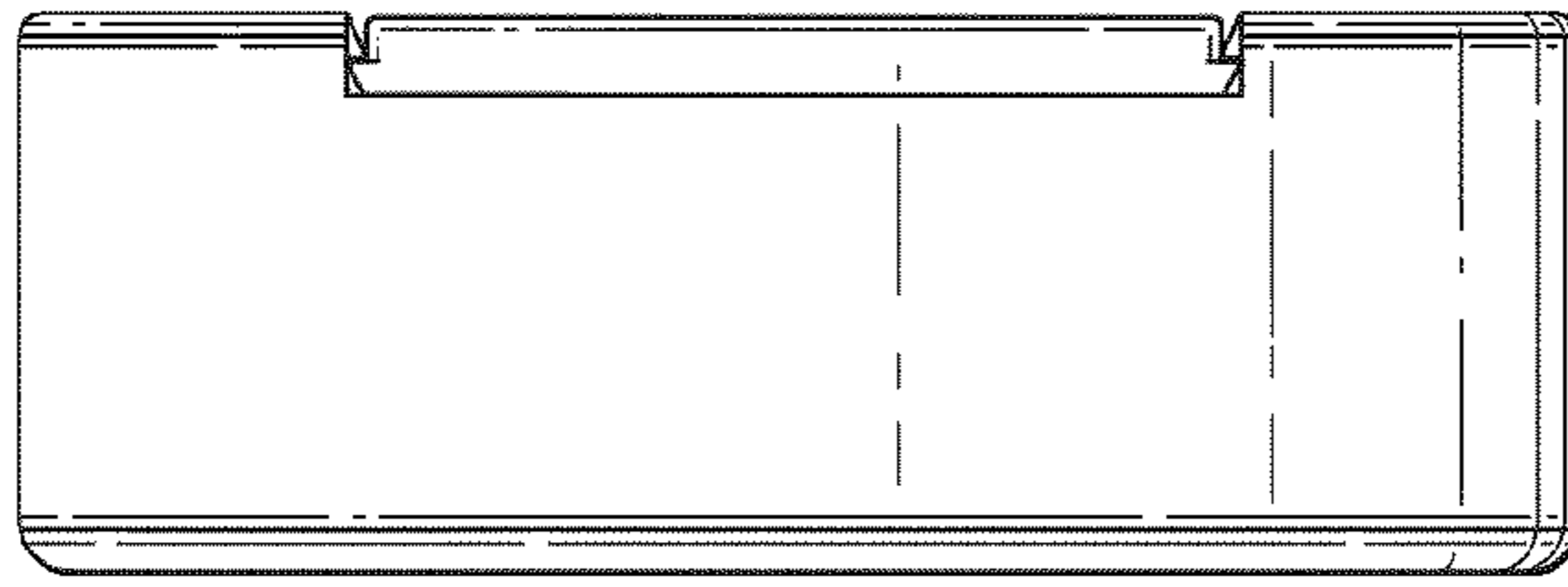


FIGURE 5

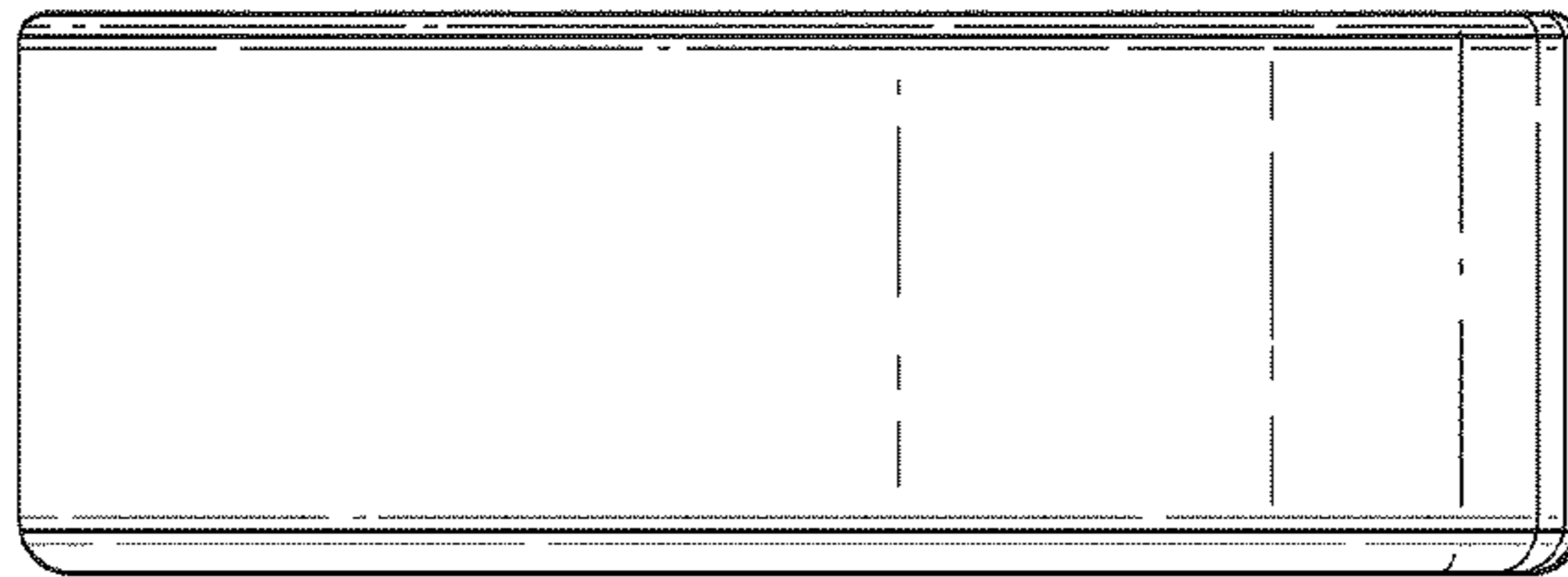


FIGURE 6

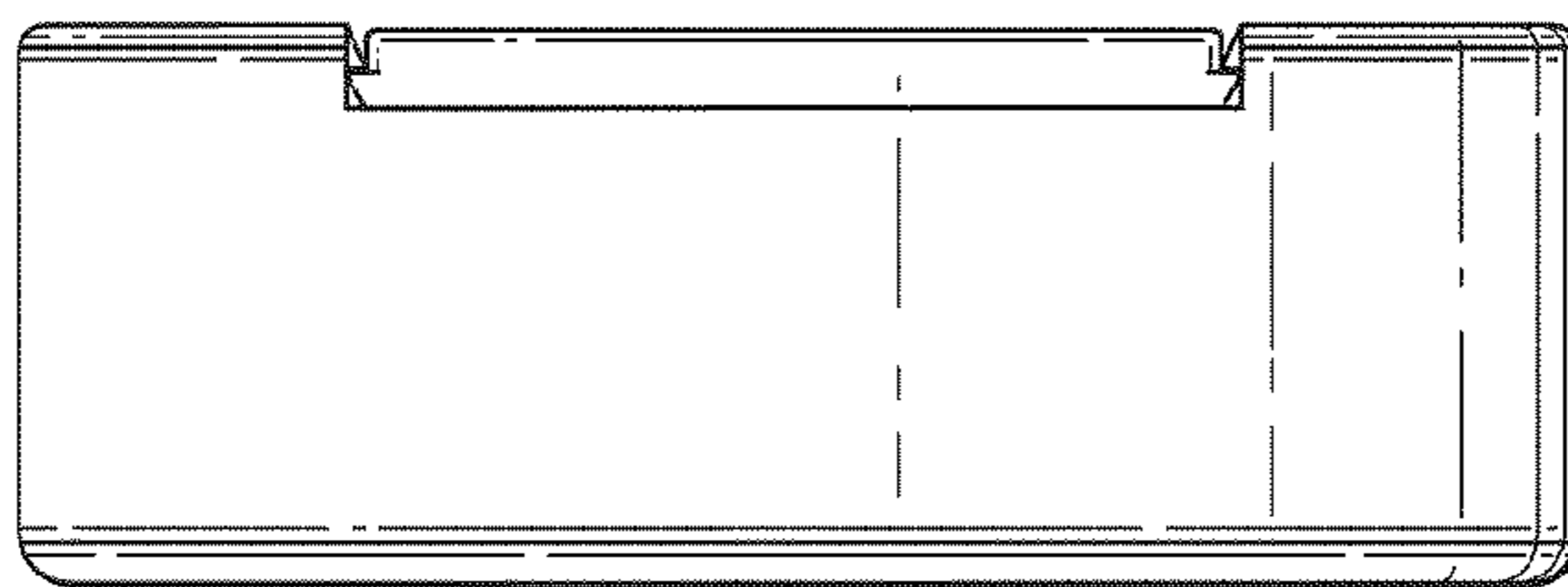
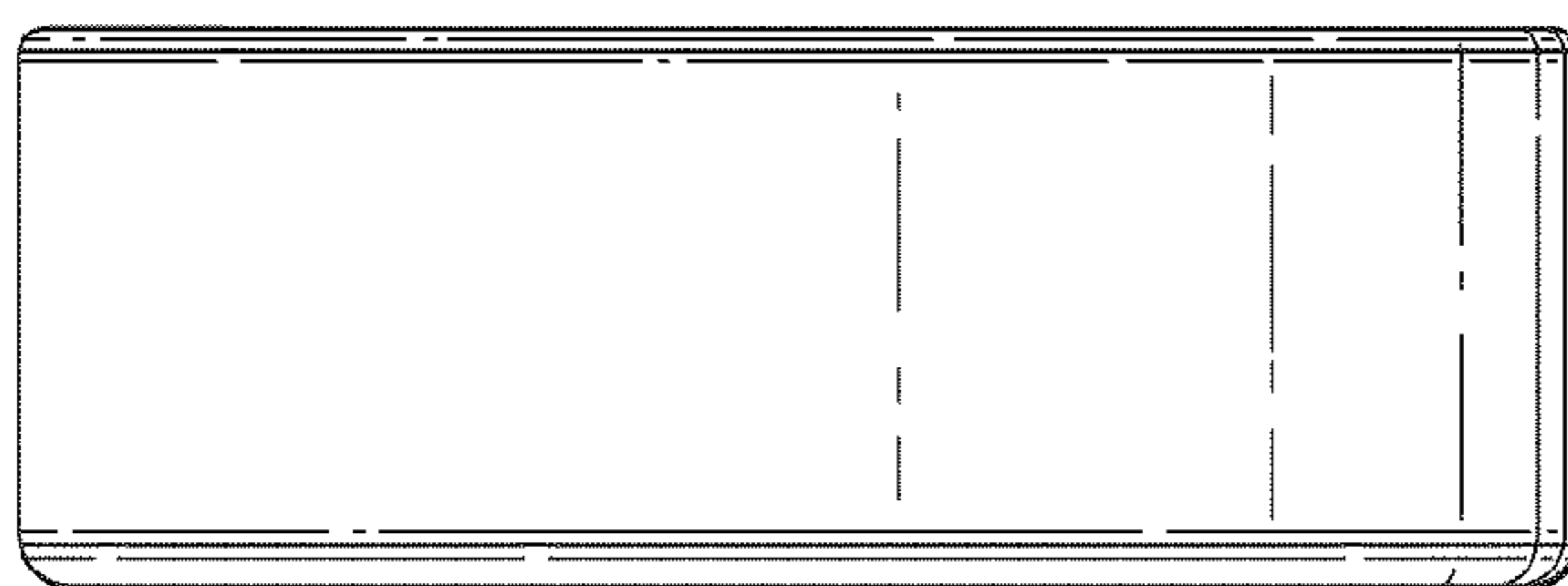


FIGURE 7



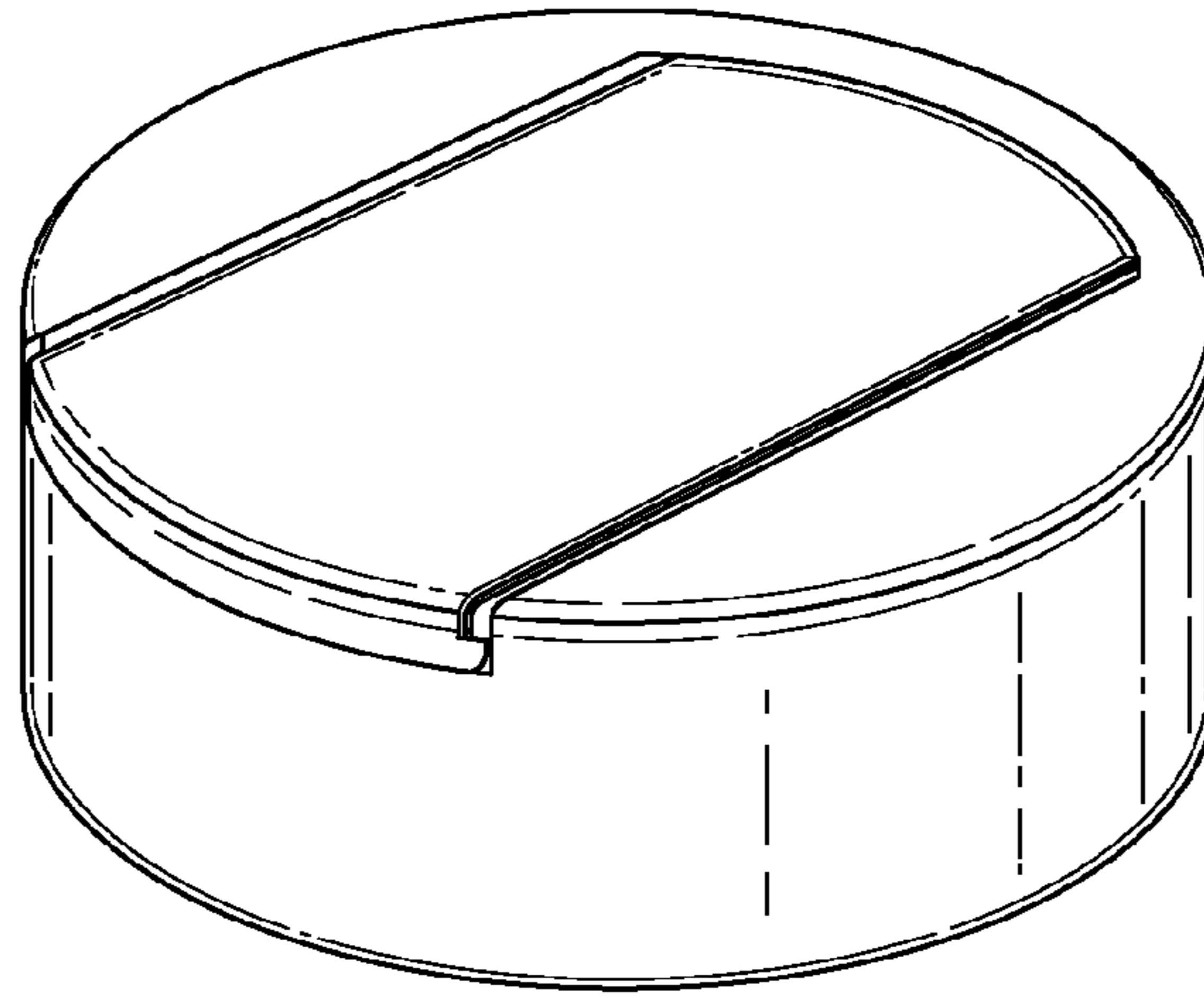


FIGURE 8

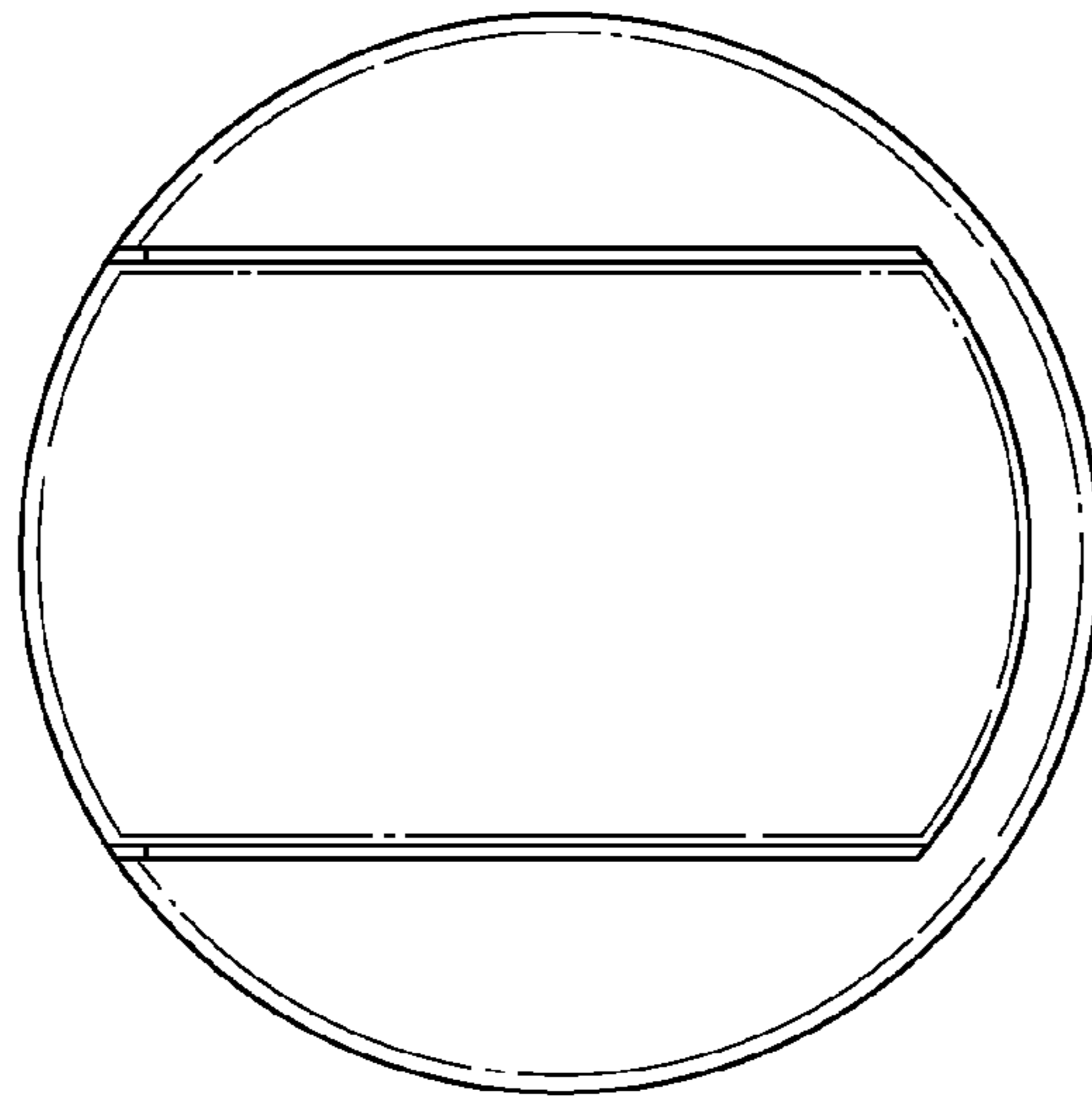


FIGURE 9

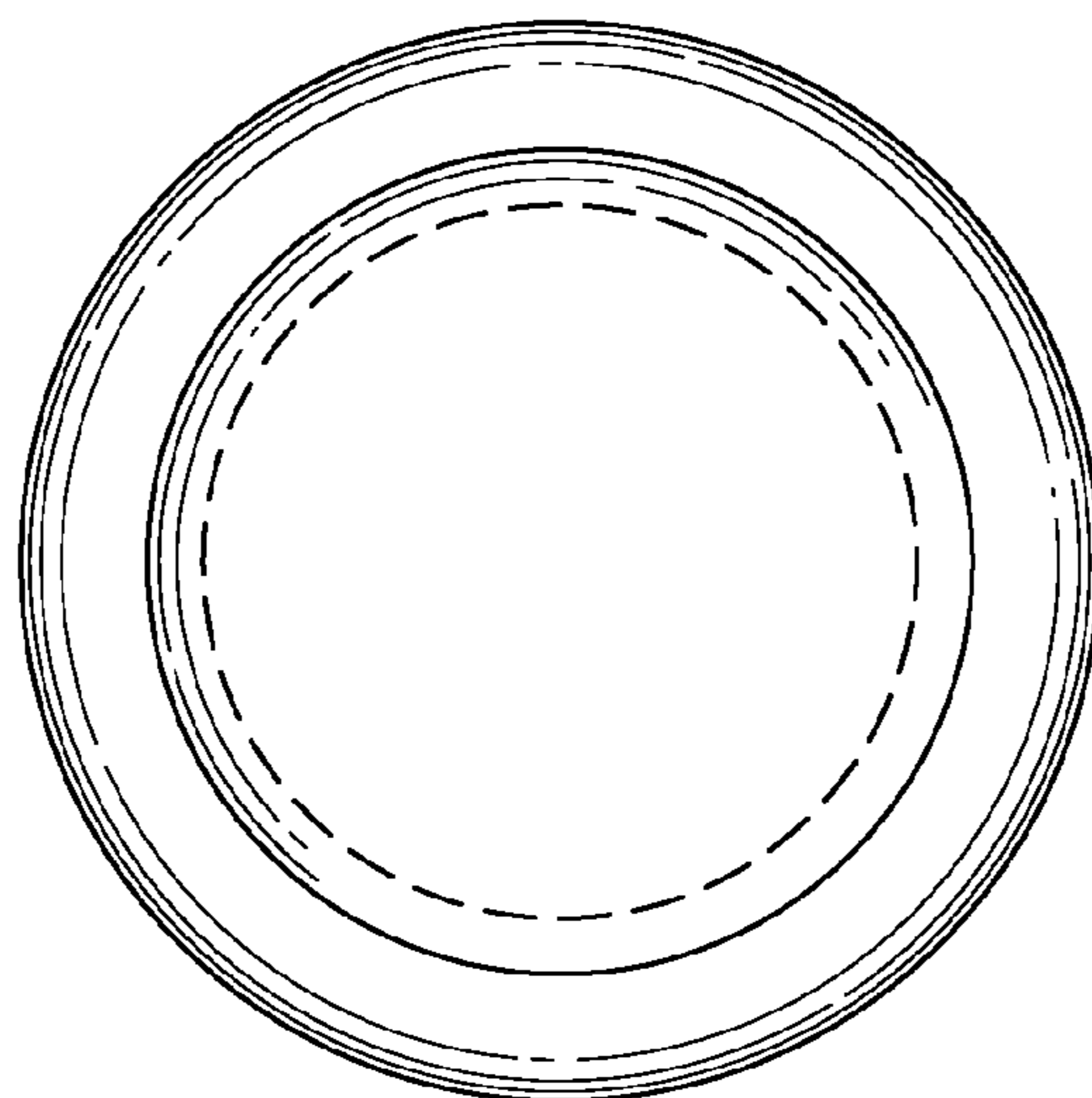


FIGURE 10

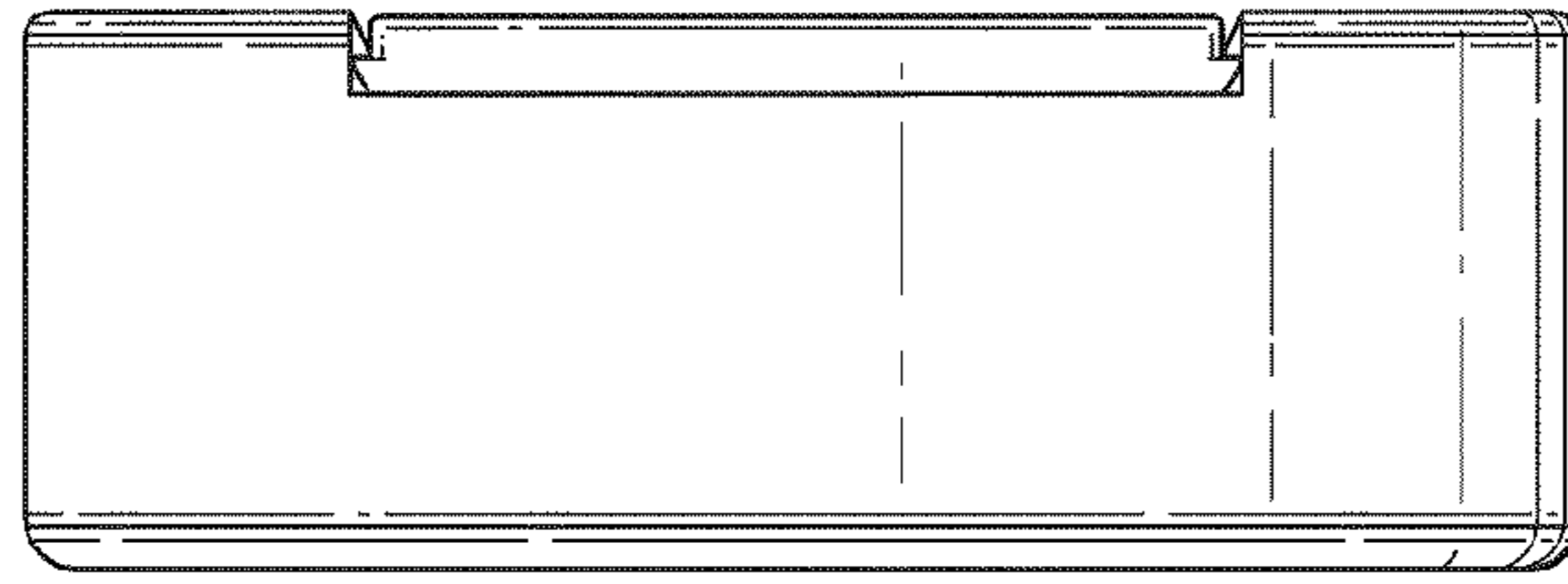


FIGURE 11

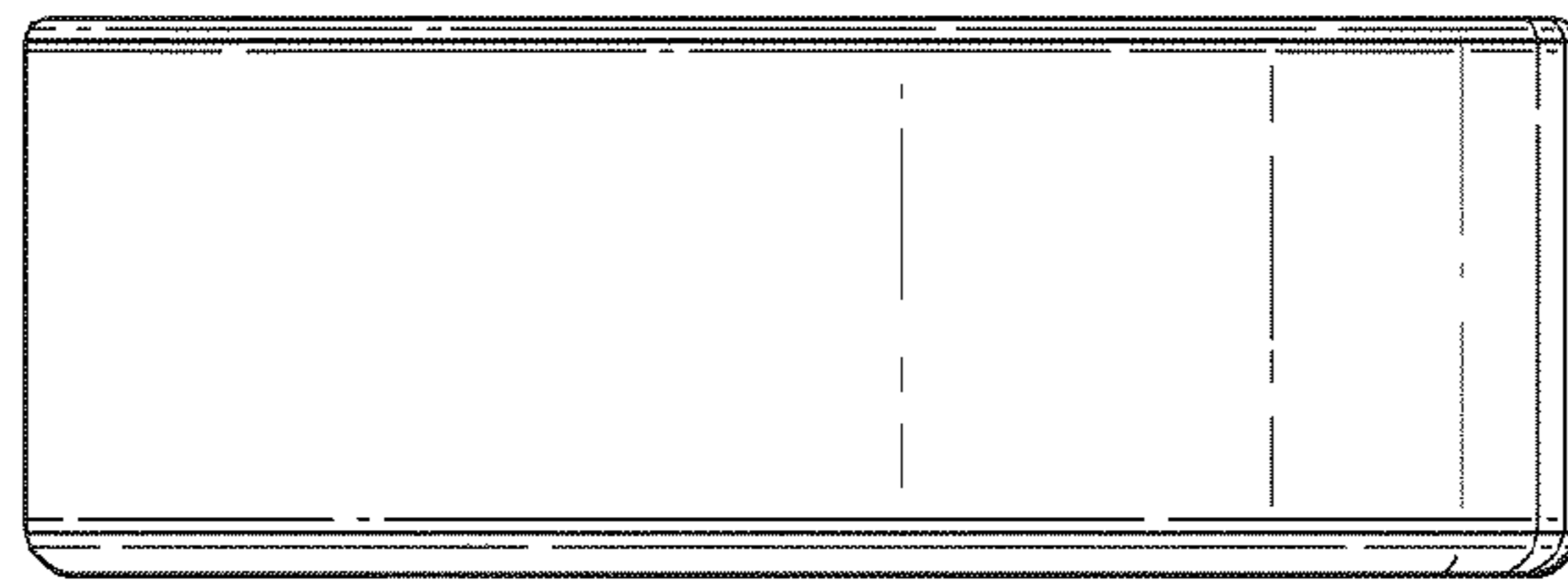


FIGURE 12

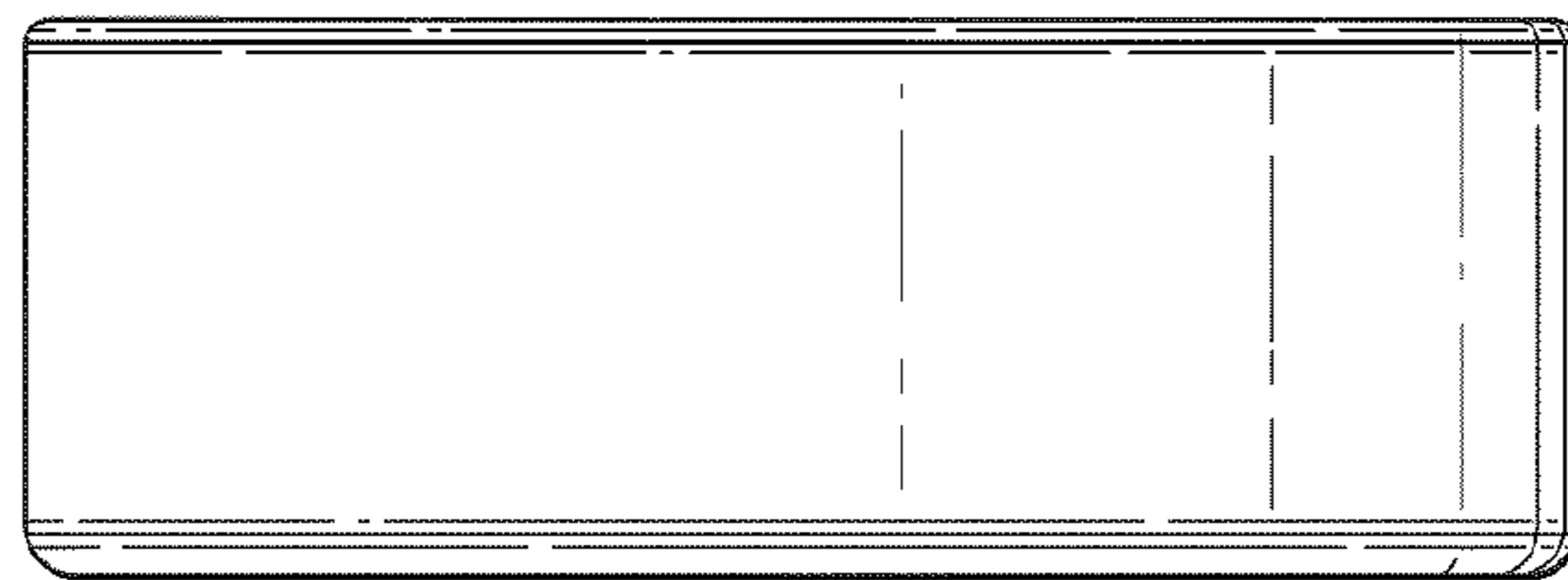


FIGURE 13

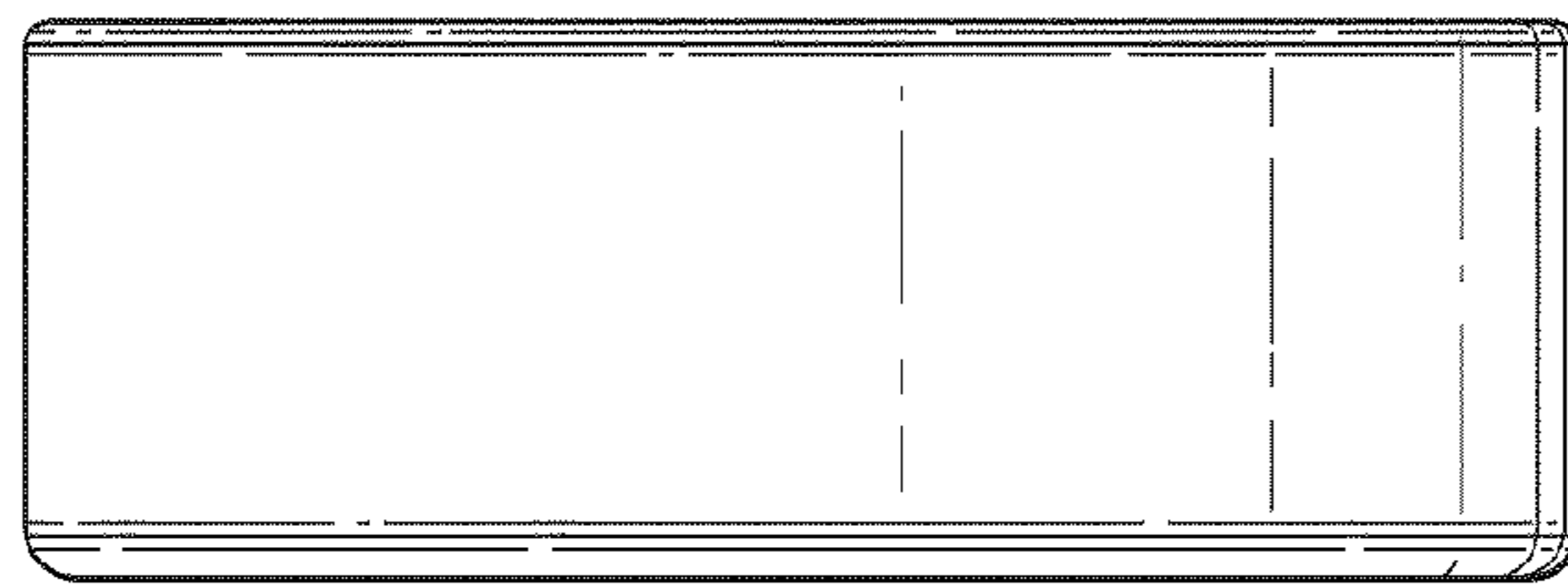


FIGURE 14

UNITED STATES PATENT AND TRADEMARK OFFICE
CERTIFICATE OF CORRECTION

PATENT NO. : D644,940 S
APPLICATION NO. : 29/361173
DATED : September 13, 2011
INVENTOR(S) : Lucas Hermans

Page 1 of 1

It is certified that error appears in the above-identified patent and that said Letters Patent is hereby corrected as shown below:

On the title page:

Add item -- (30) Foreign Application Priority Data
November 9, 2009 (EU) 001633777 --

Signed and Sealed this
Thirty-first Day of July, 2012



David J. Kappos
Director of the United States Patent and Trademark Office