



US00D644933S

(12) **United States Design Patent**
Whitlock

(10) **Patent No.:** **US D644,933 S**

(45) **Date of Patent:** **** Sep. 13, 2011**

(54) **BONE SHAPED BOTTLE**

(75) Inventor: **Jerry David Whitlock**, Boca Raton, FL (US)

(73) Assignee: **Whitlock International, L.L.C.**, Boca Raton, FL (US)

(**) Term: **14 Years**

(21) Appl. No.: **29/364,386**

(22) Filed: **Jun. 23, 2010**

(51) **LOC (9) Cl.** **09-01**

(52) **U.S. Cl.** **D9/601; D9/622**

(58) **Field of Classification Search** D9/600-601,
D9/607, 516, 522; 206/457-458, 527; 215/400;
220/890; D3/270, 271.1, 271.2; D7/515;
D30/160

See application file for complete search history.

(56) **References Cited**

U.S. PATENT DOCUMENTS

D428,136 S * 7/2000 Cady et al. D24/101
D481,867 S * 11/2003 Hotz D3/271.2
D527,273 S * 8/2006 Edwards D9/600

D540,181 S * 4/2007 Edwards D9/600
* cited by examiner

Primary Examiner — Sandra Morris

(74) *Attorney, Agent, or Firm* — Head, Johnson & Kachigian, P.C.

(57) **CLAIM**

The ornamental design for a bone shaped bottle, as shown and described.

DESCRIPTION

FIG. 1 is a perspective view of a bone shaped bottle showing our new design;

FIG. 2 is a front view thereof;

FIG. 3 is a left side view thereof, the right side view being a mirror image thereto;

FIG. 4 is a rear view thereof;

FIG. 5 is a top view thereof;

FIG. 6 is a bottom view thereof;

FIG. 7 is a front view of an alternate design of our bone shaped bottle;

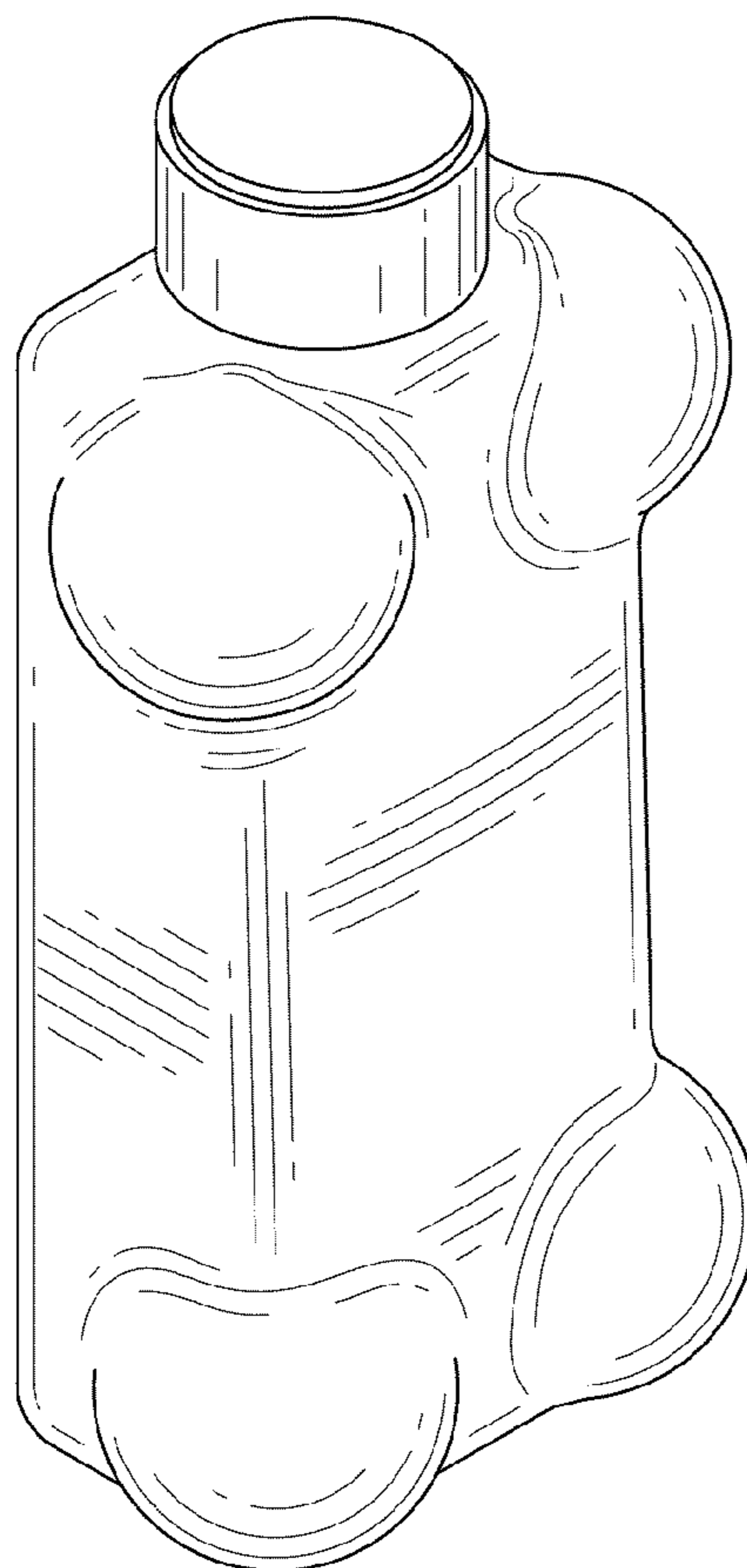
FIG. 8 is a left side view thereof, the right side view being a mirror image thereto;

FIG. 9 is a rear view thereof;

FIG. 10 is a top view thereof; and,

FIG. 11 is a bottom view thereof.

1 Claim, 4 Drawing Sheets



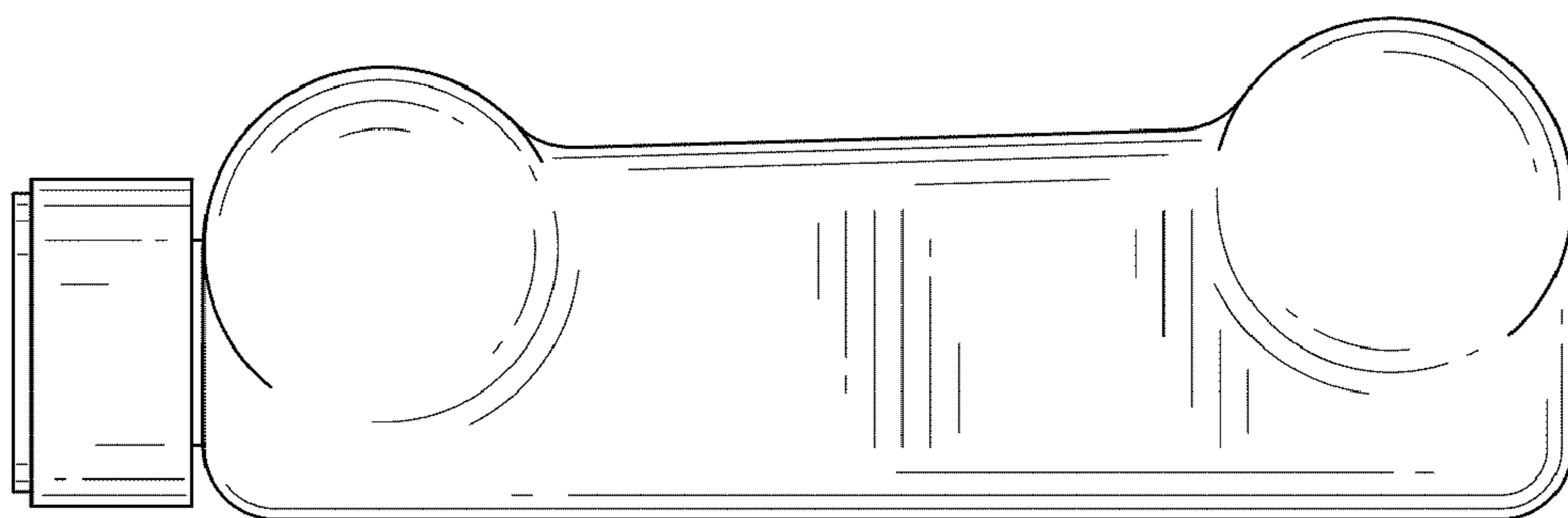


FIG. 3

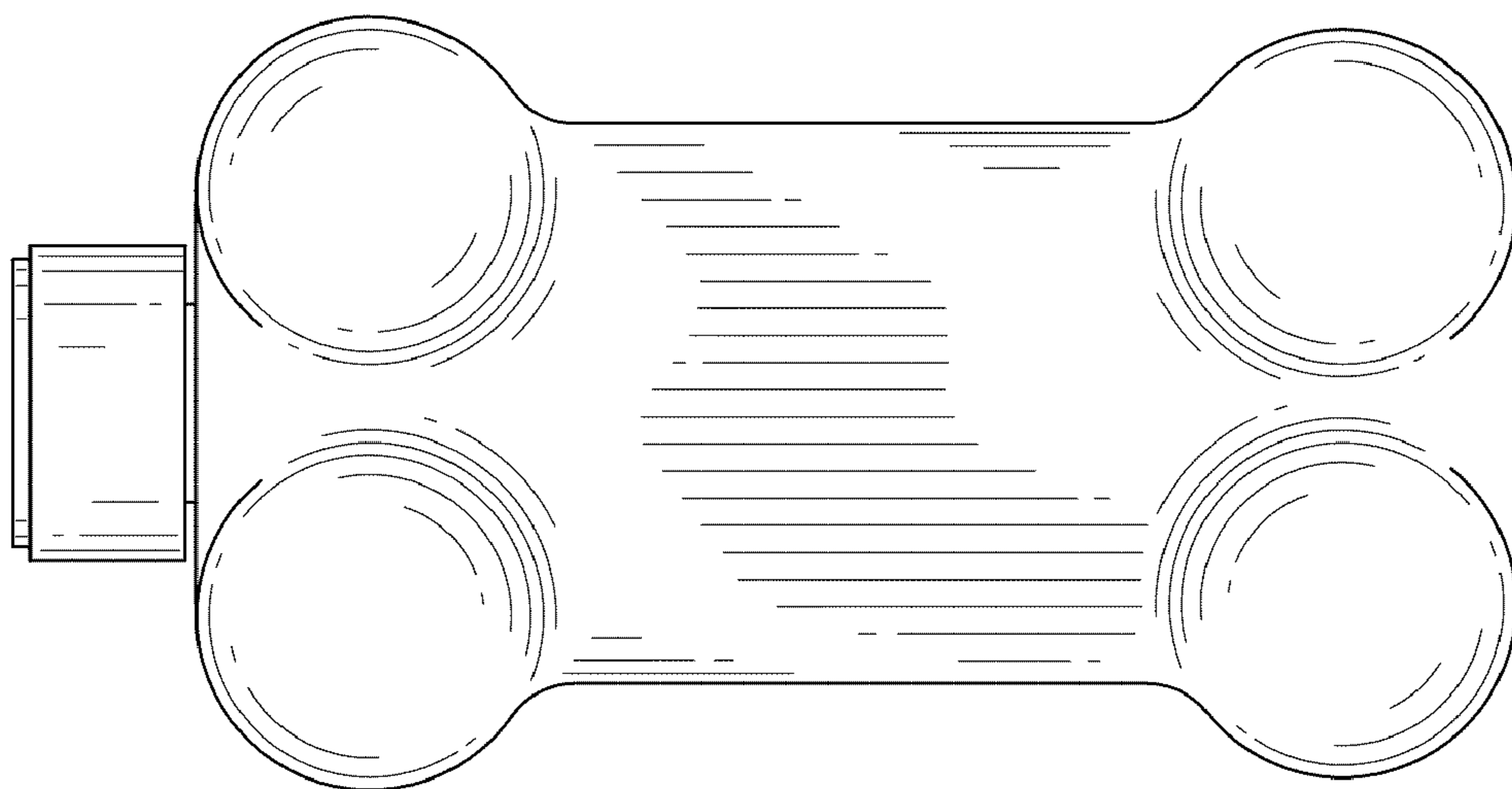


FIG. 2

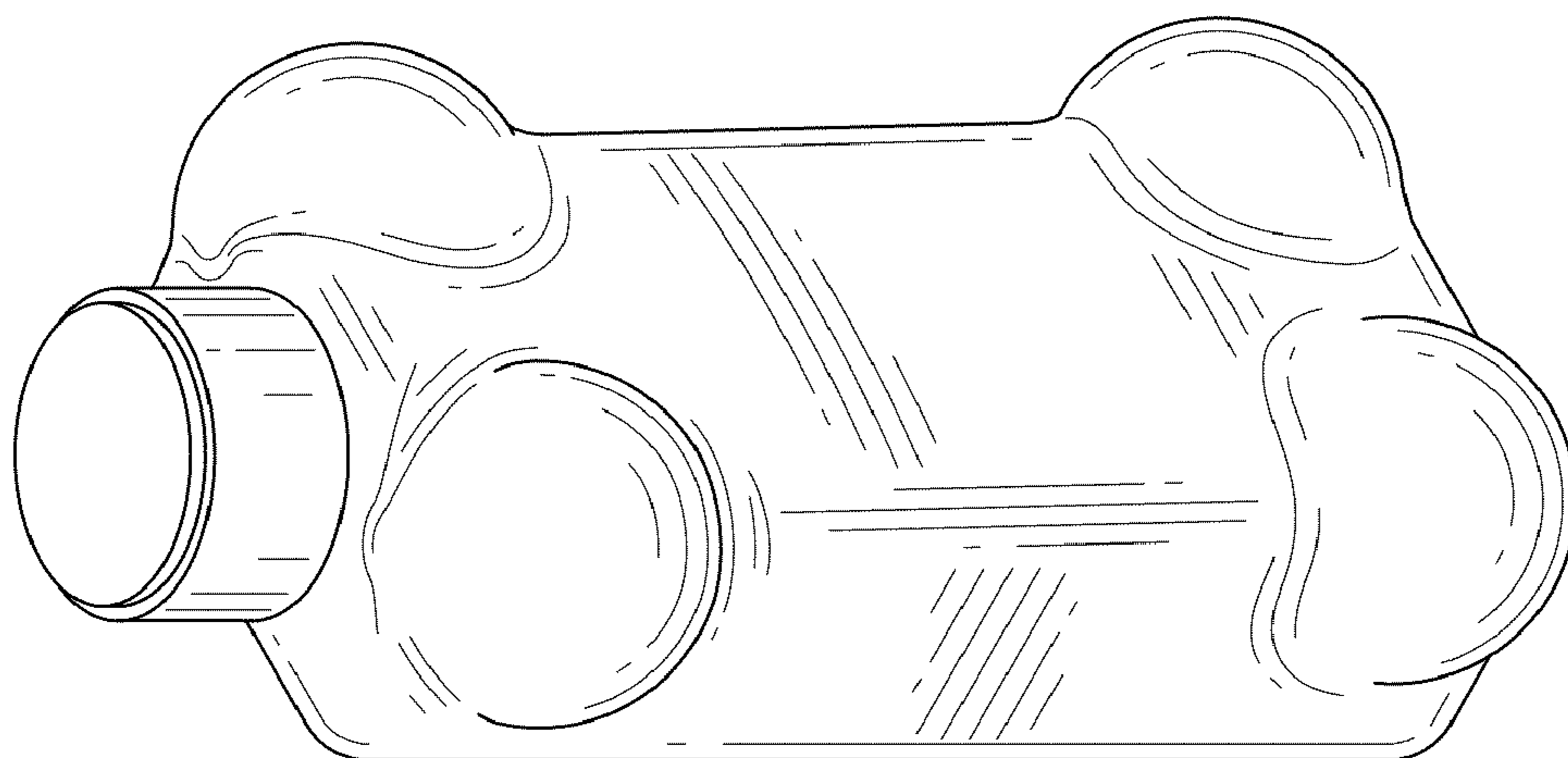


FIG. 1

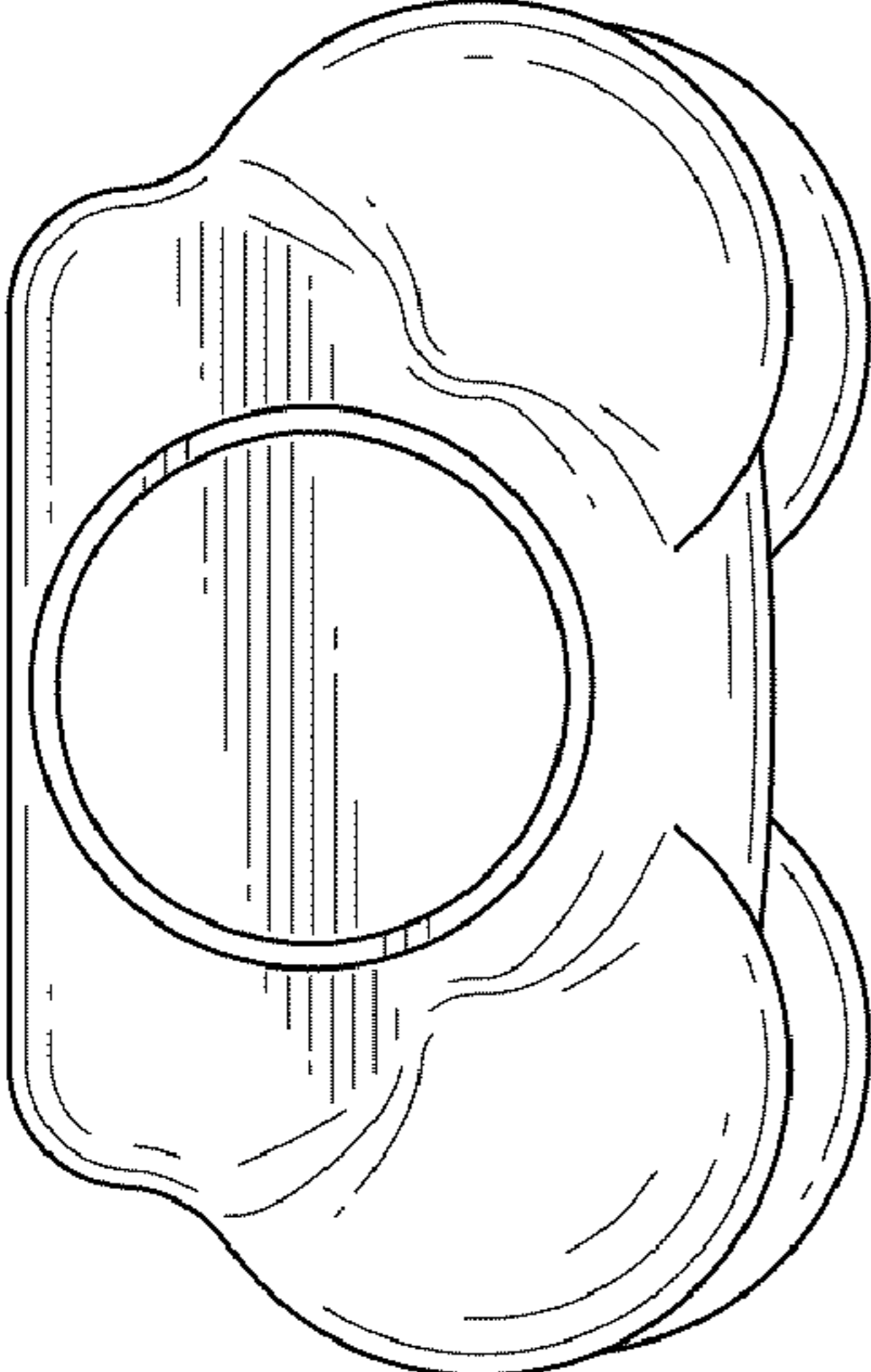


FIG. 5

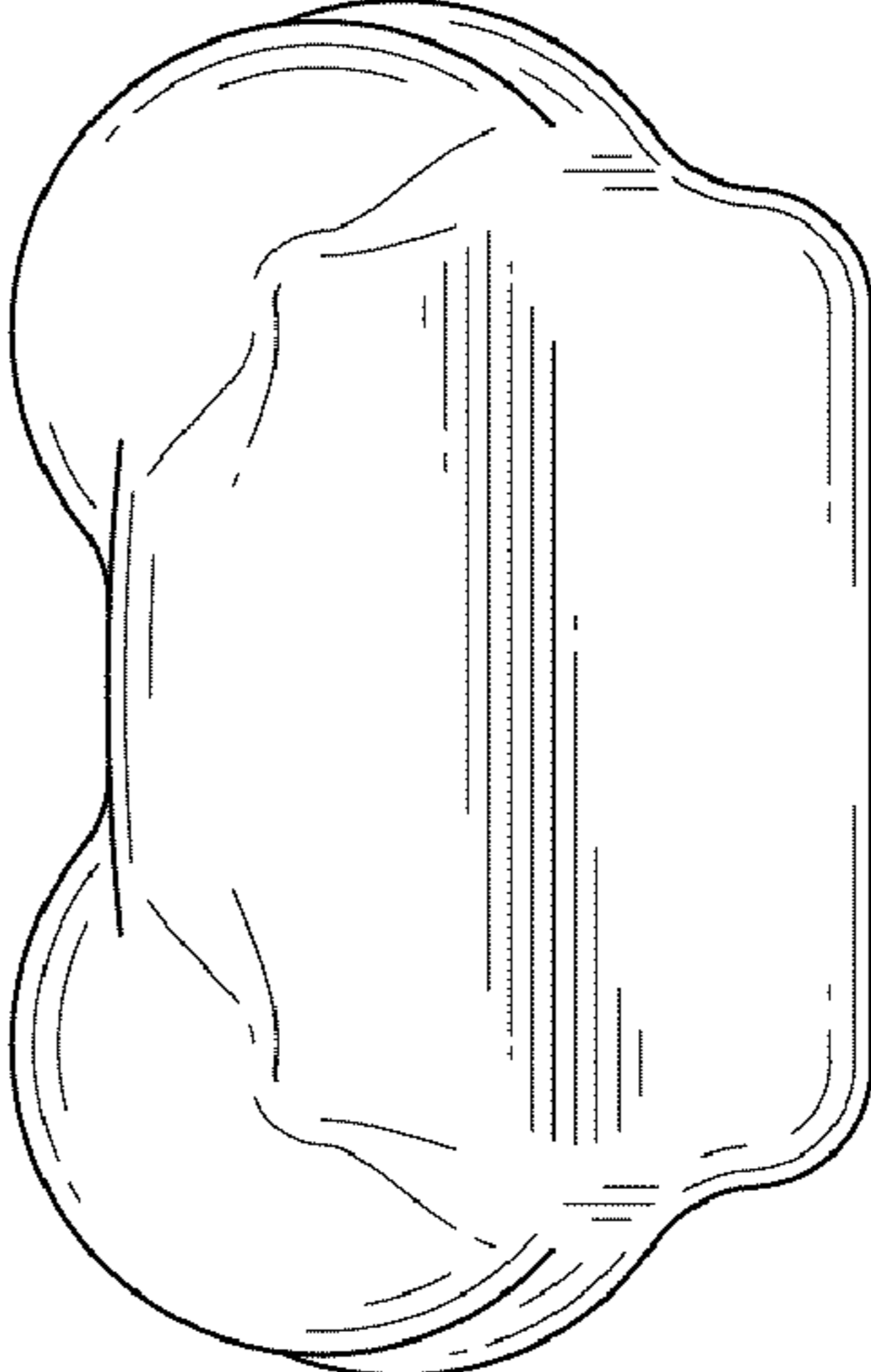


FIG. 6

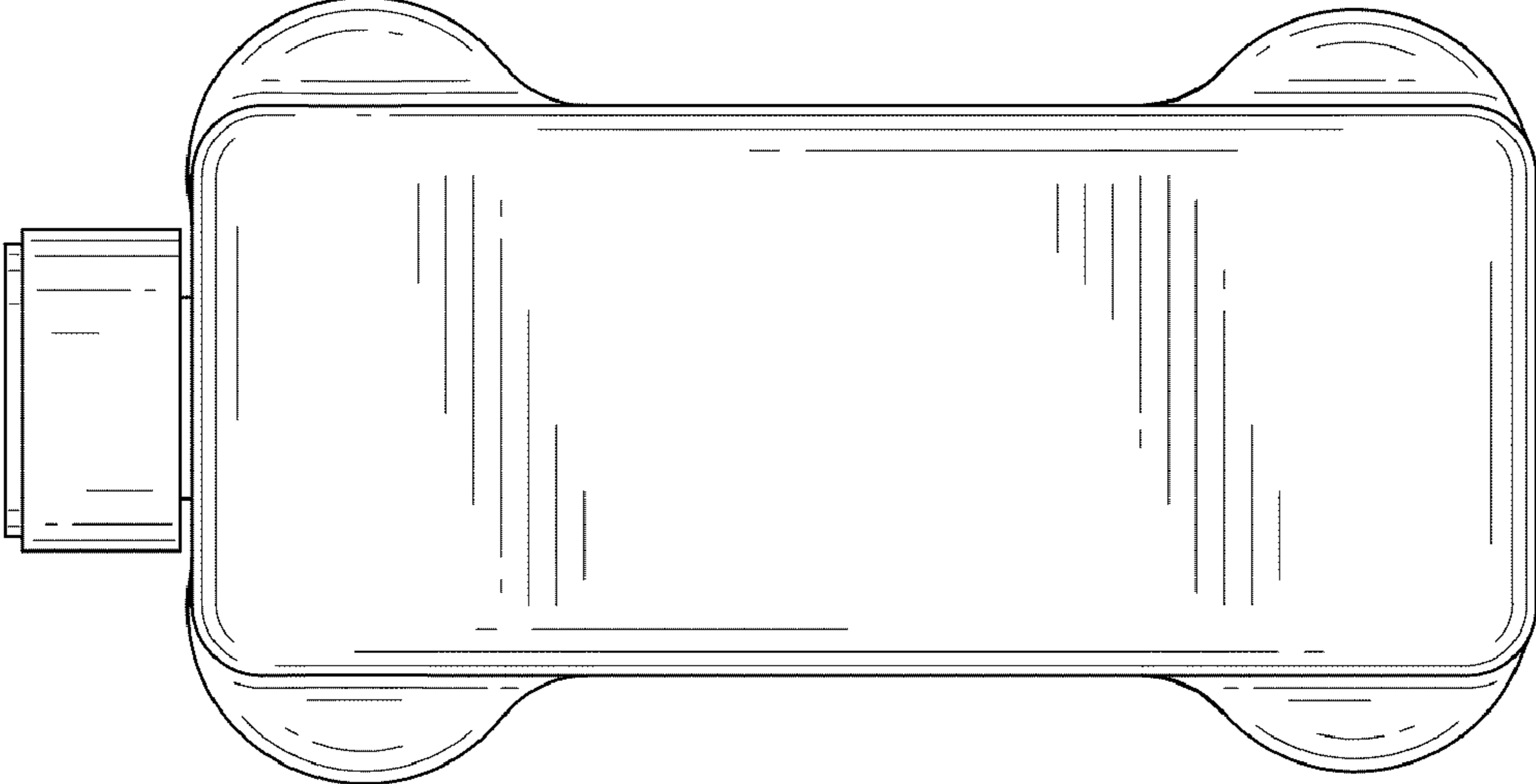


FIG. 4

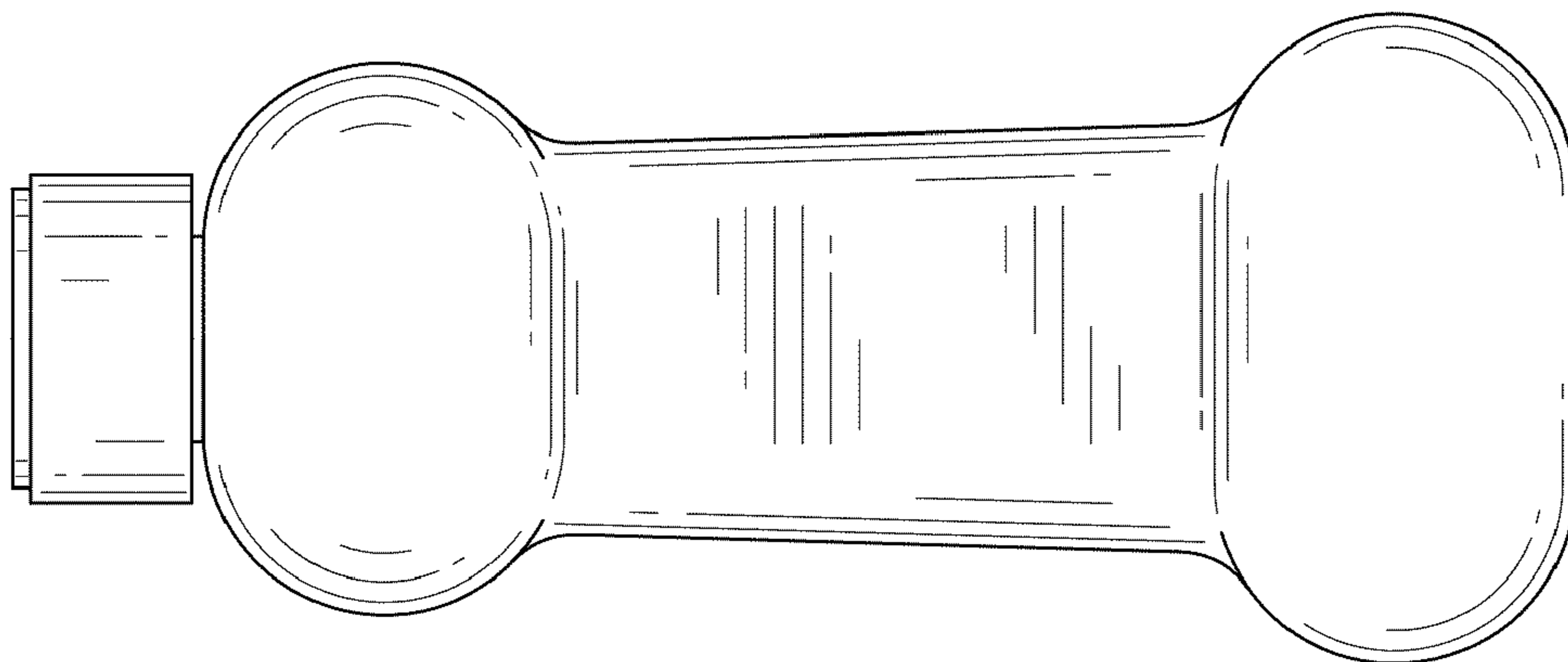


FIG. 8

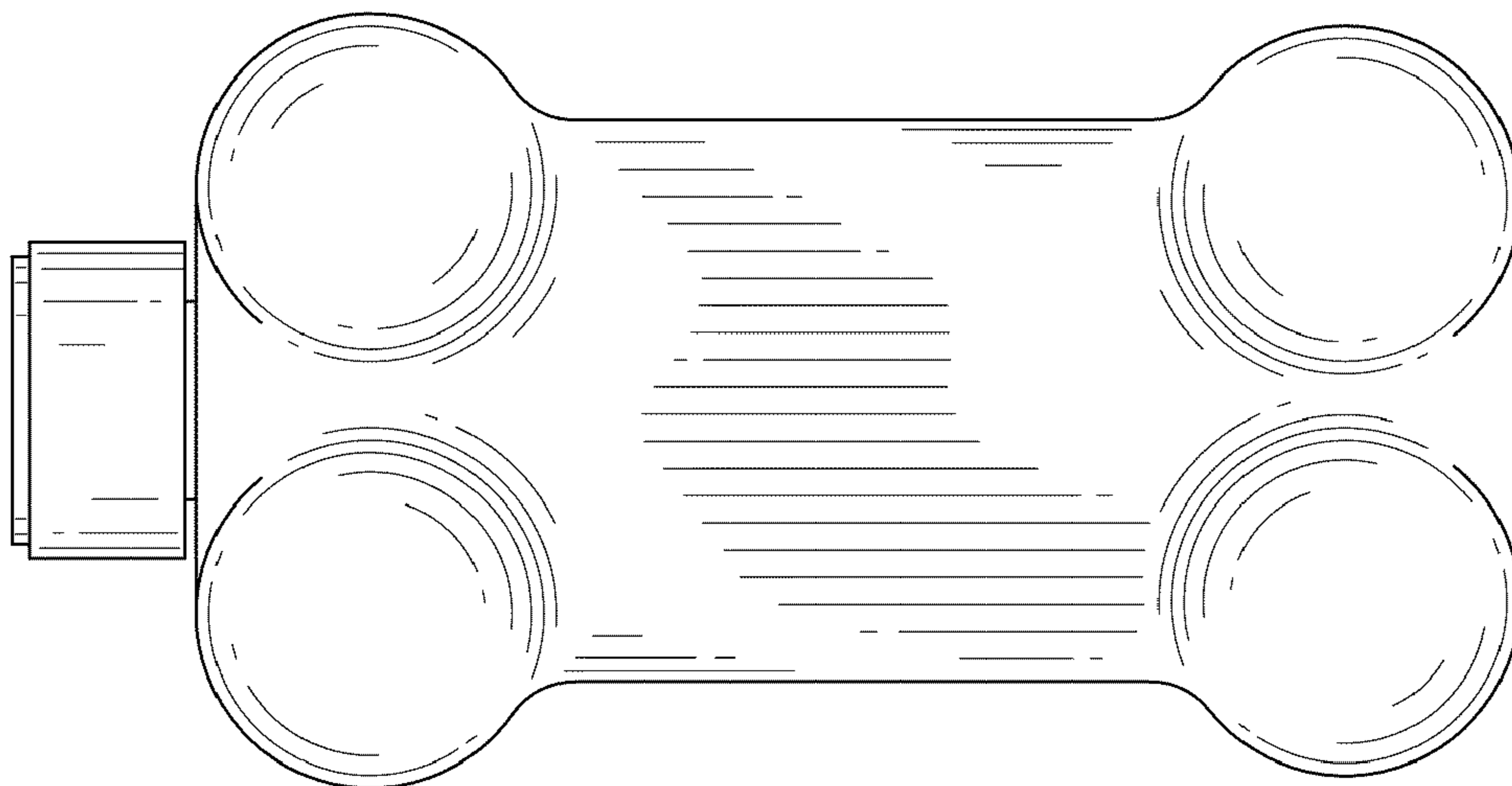


FIG. 7

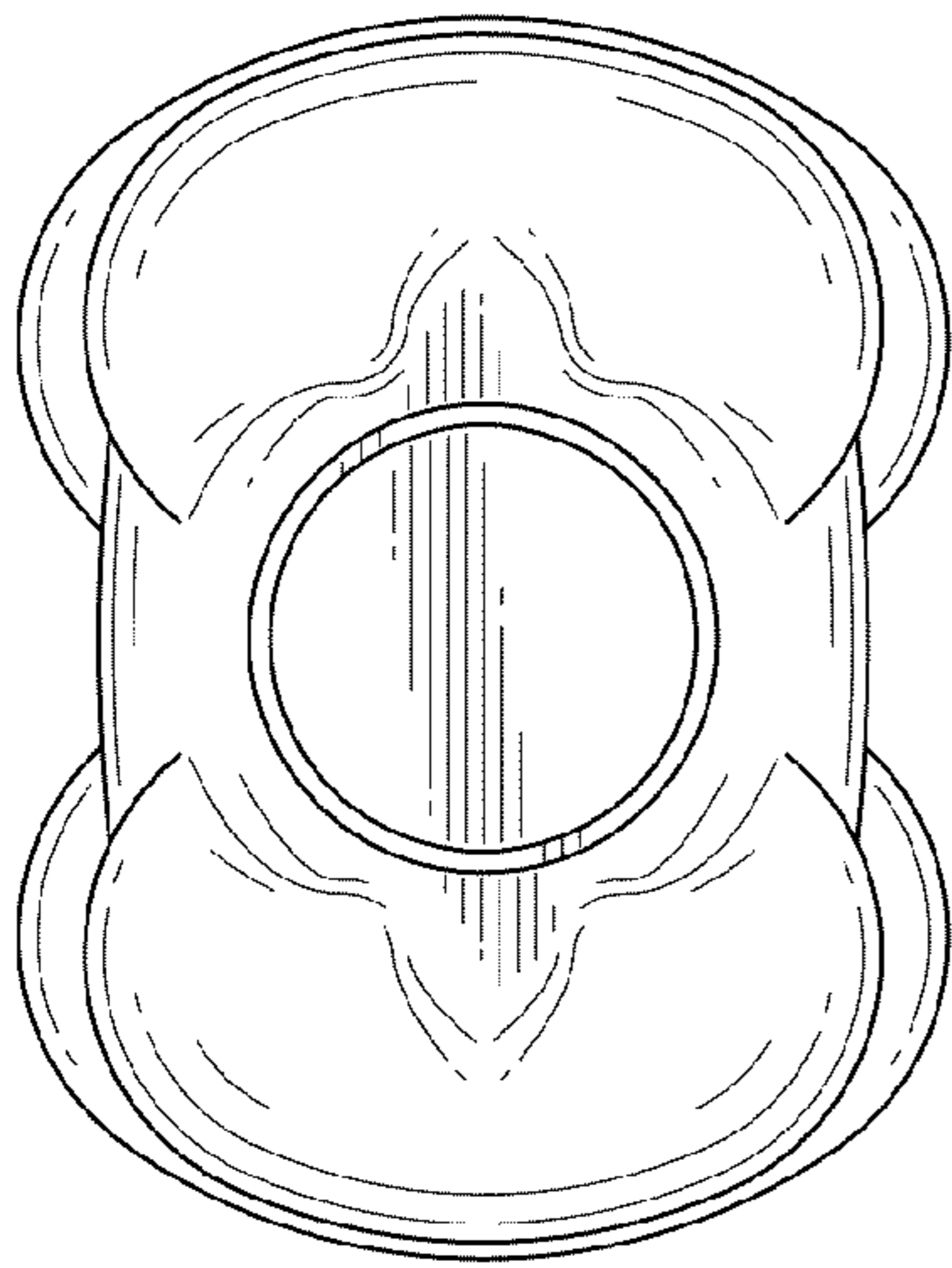


FIG. 10

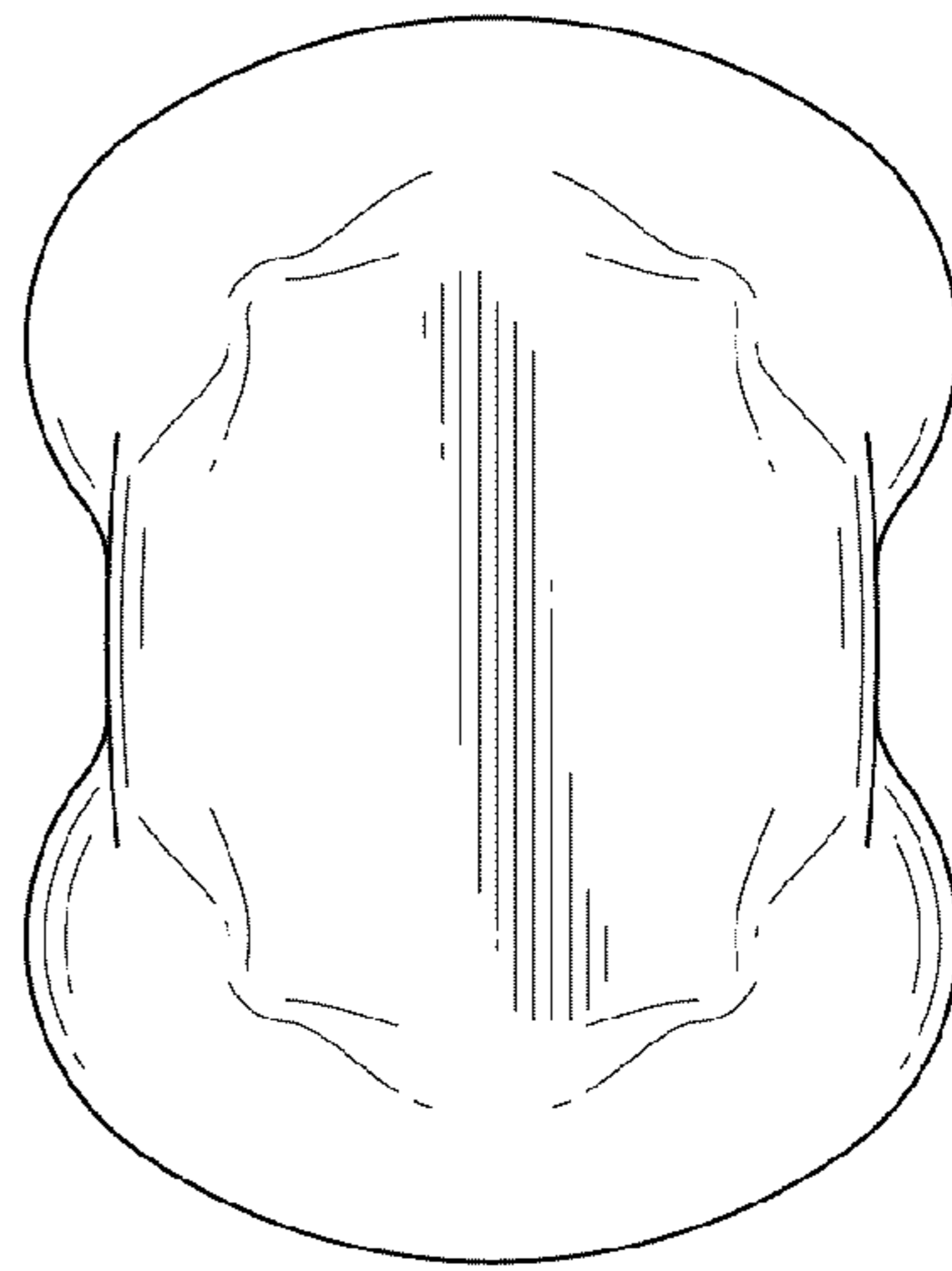


FIG. 11

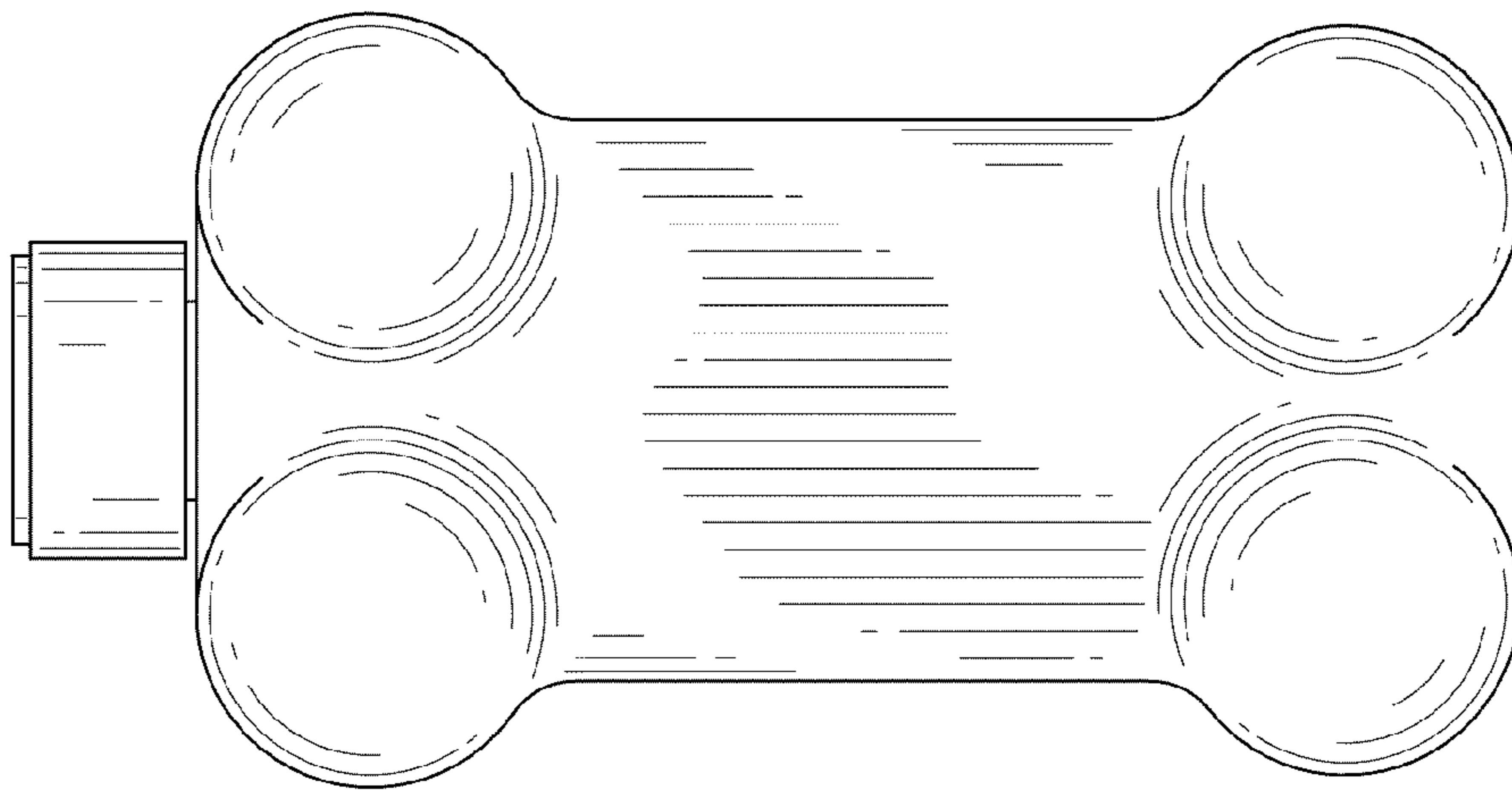


FIG. 9