



US00D644924S

(12) **United States Design Patent**  
**Lin**

(10) **Patent No.:** **US D644,924 S**

(45) **Date of Patent:** **\*\* Sep. 13, 2011**

(54) **CUP**

(75) **Inventor:** **Leelee Lin**, Whittier, CA (US)

(73) **Assignee:** **DinDon Foods Corp.**, Santa Fe Springs, CA (US)

(\*\*) **Term:** **14 Years**

(21) **Appl. No.:** **29/378,717**

(22) **Filed:** **Nov. 8, 2010**

(51) **LOC (9) Cl.** ..... **09-03**

(52) **U.S. Cl.** ..... **D9/429**

(58) **Field of Classification Search** ..... D9/414,  
D9/418, 424, 425, 428, 429; D7/619, 629;  
229/400-406, 932, 906.1; 220/656-659,  
220/669-675, 912, 4.21-4.27; 206/553,  
206/557, 541, 775, 776

See application file for complete search history.

(56) **References Cited**

**U.S. PATENT DOCUMENTS**

D264,686 S	6/1982	Davis	
D265,462 S	7/1982	Andrulionis	
D284,160 S	6/1986	Durand	
D291,285 S	8/1987	Jarrin	
D309,105 S	7/1990	Fisher	
D317,568 S	6/1991	Lane	
D428,574 S *	7/2000	Harkness	..... D9/430
D438,794 S	3/2001	Miles	
D440,829 S	4/2001	Brown	
D445,310 S	7/2001	Brown	

D482,276 S *	11/2003	Wang	..... D9/424
D498,390 S	11/2004	Vovan	
D499,645 S	12/2004	Edwards	
D509,109 S	9/2005	Vovan	
D510,843 S	10/2005	Vovan	
D519,831 S	5/2006	de Cleir	
D529,396 S	10/2006	Whipple	
D556,569 S	12/2007	Stein	
D570,650 S	6/2008	Vovan	
D572,133 S *	7/2008	Wilson et al.	..... D9/500
D581,781 S	12/2008	Enriquez	
D587,995 S *	3/2009	Studee	..... D9/424
D627,636 S *	11/2010	Fang	..... D9/429
D628,883 S *	12/2010	Stephens	..... D9/429
D629,683 S *	12/2010	Fang	..... D9/429

\* cited by examiner

*Primary Examiner* — Thomas Johannes

(74) *Attorney, Agent, or Firm* — Jeffer Mangels Butler & Mitchell LLP

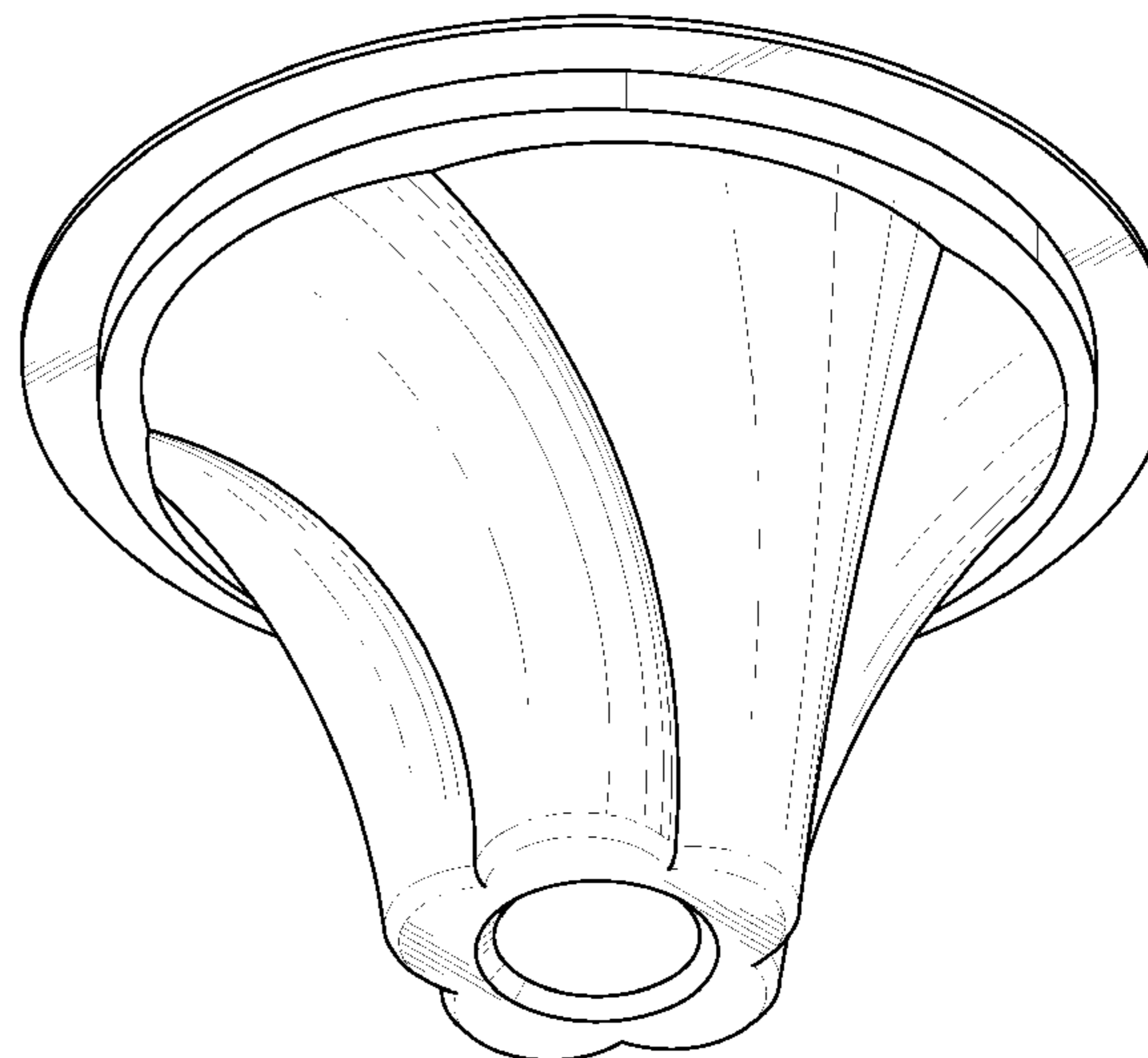
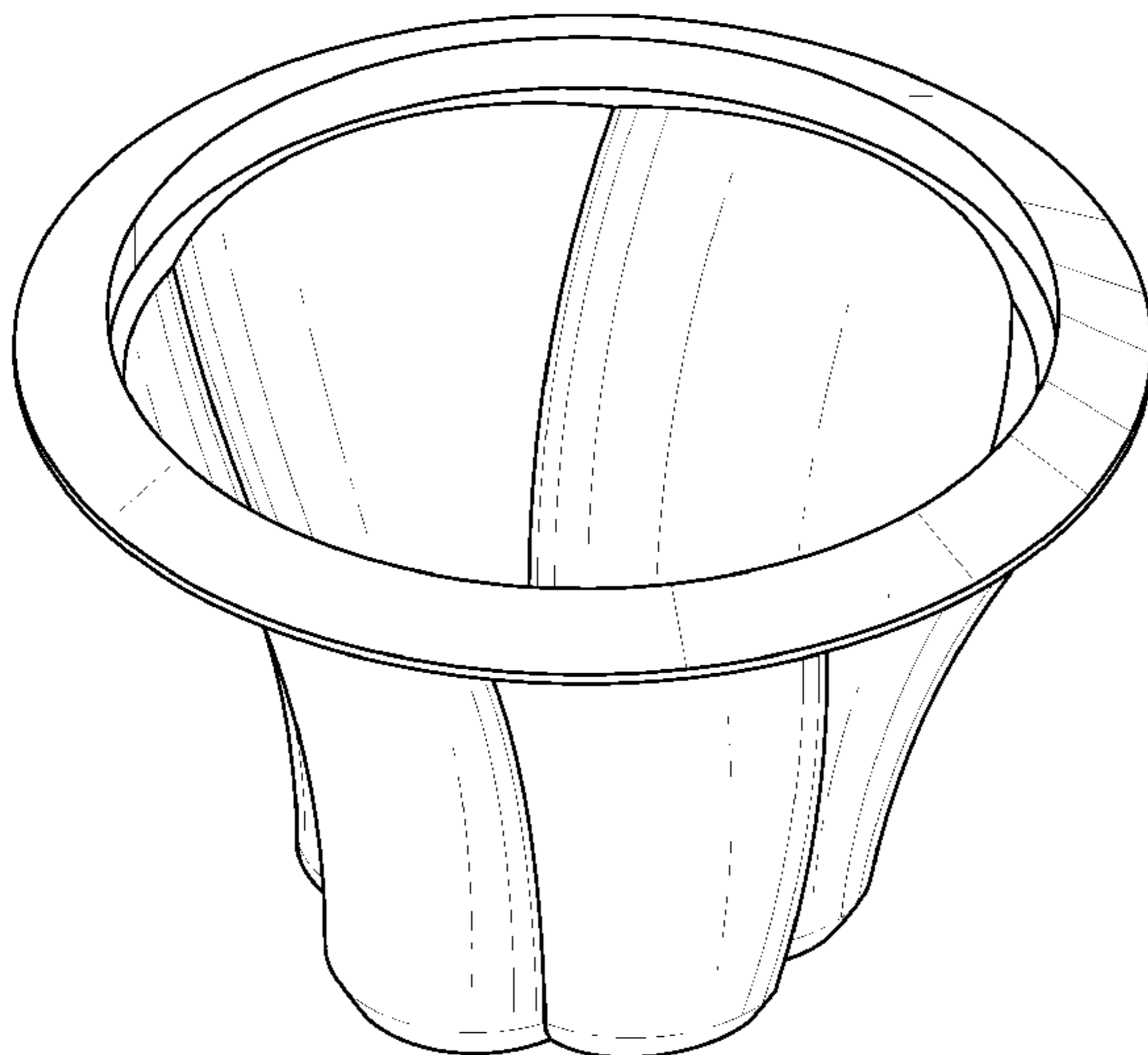
(57) **CLAIM**

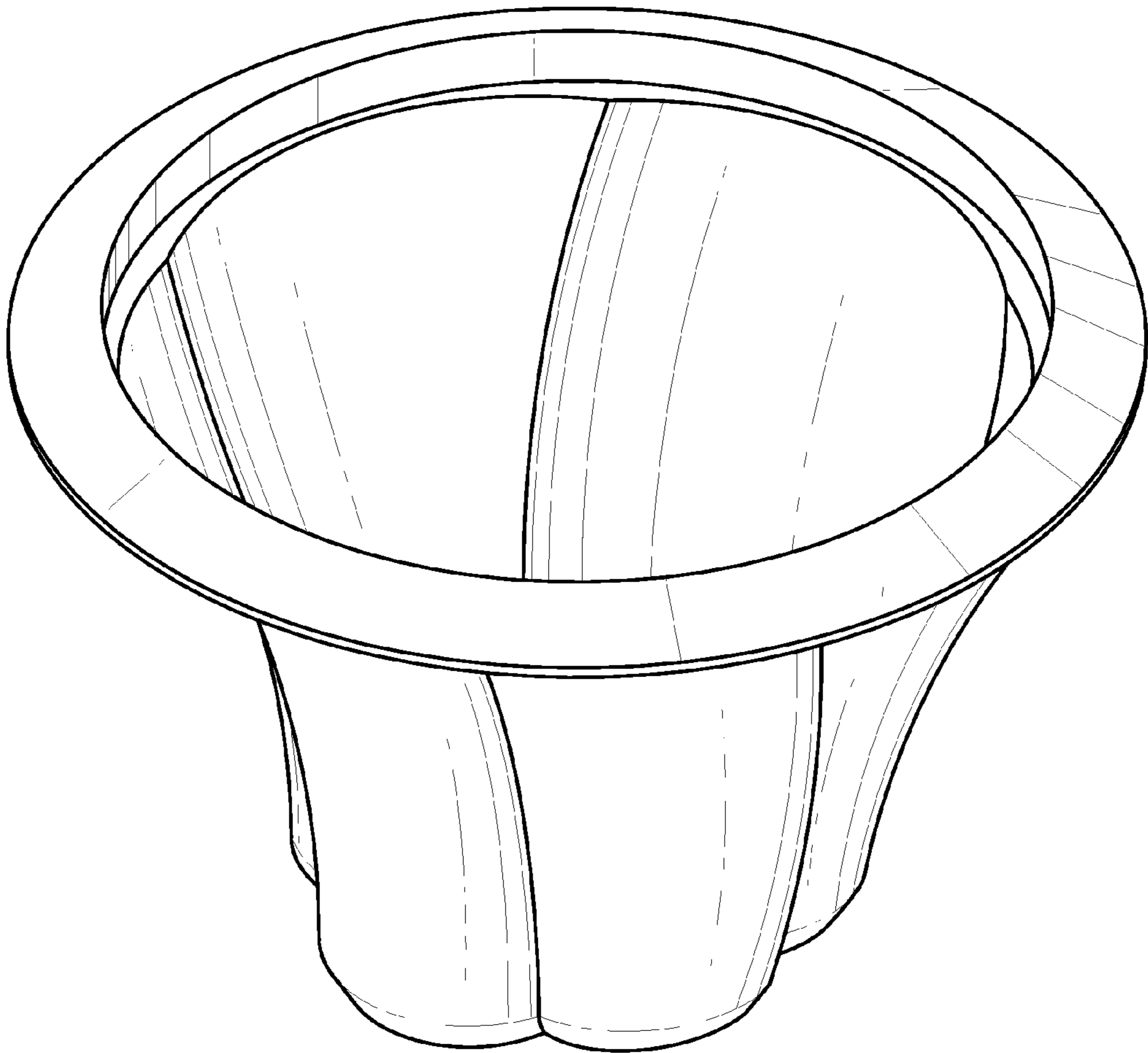
The ornamental design for a cup, as shown and described.

**DESCRIPTION**

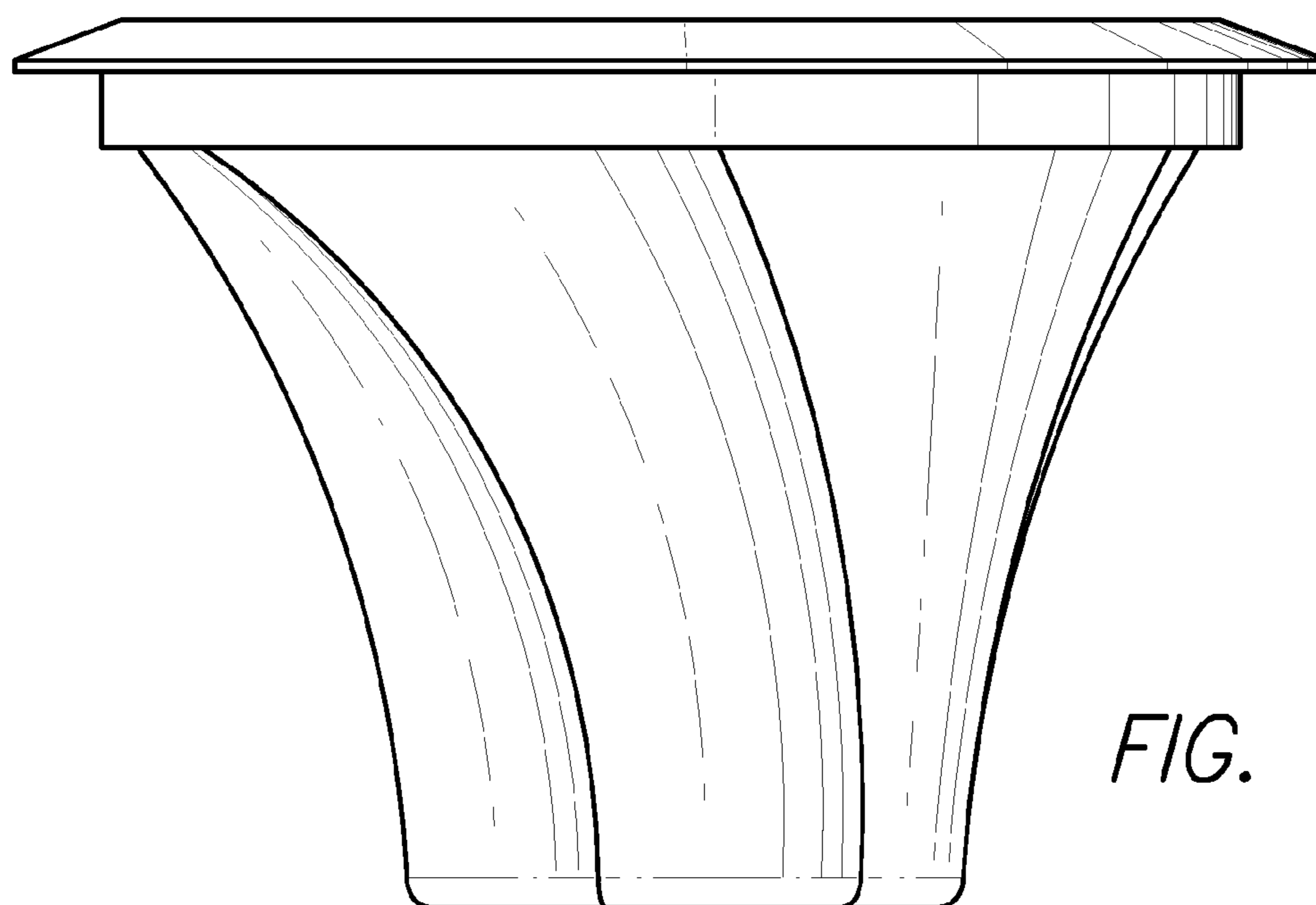
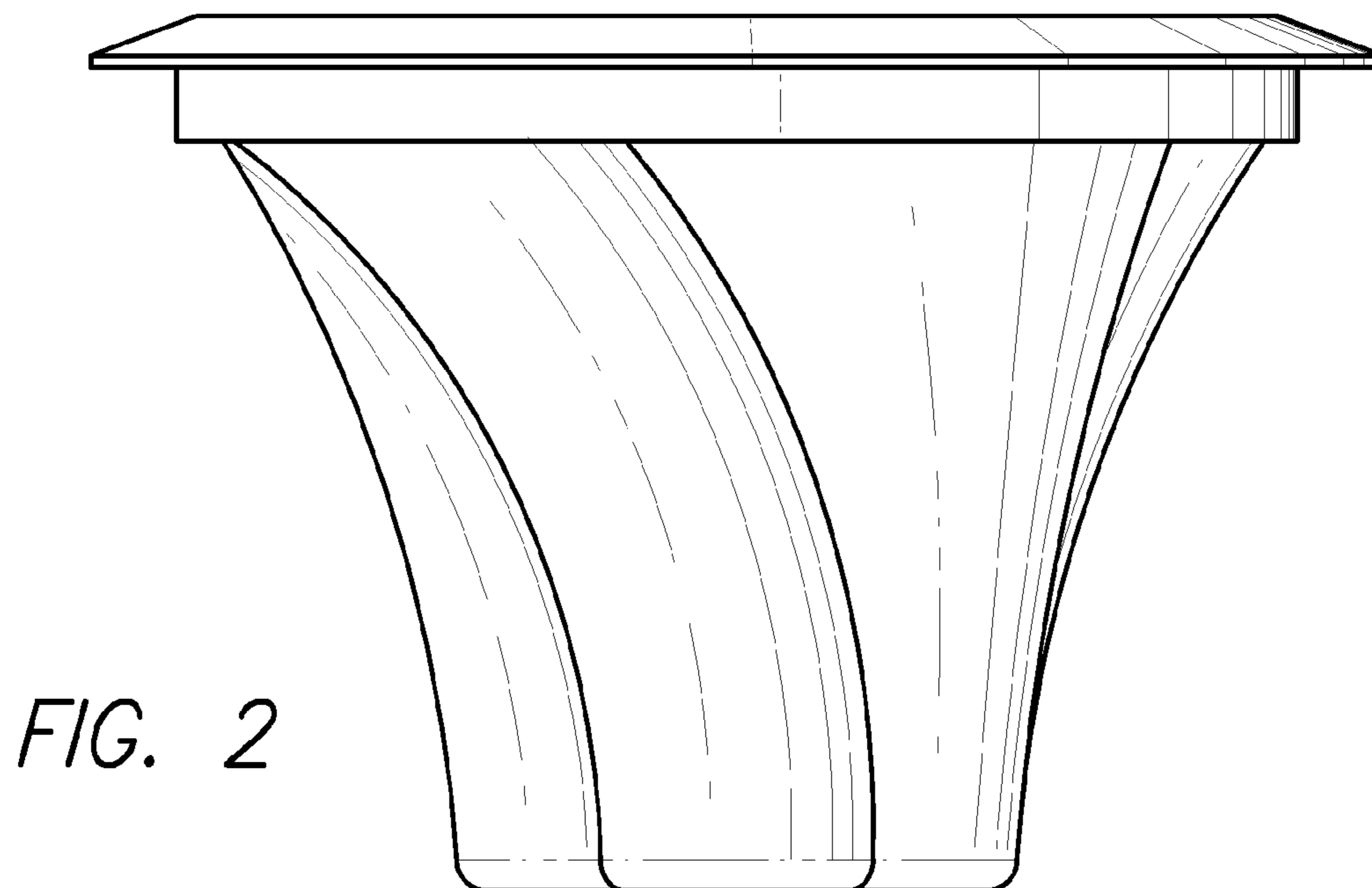
FIG. 1 is a top perspective view of the present invention; FIG. 2 is a front elevational view thereof; FIG. 3 is a left side elevational view thereof; FIG. 4 is a right side elevational view thereof; FIG. 5 is a rear elevational view thereof; FIG. 6 is a top plan view thereof; FIG. 7 is a bottom plan view thereof; and, FIG. 8 is a bottom perspective view thereof.

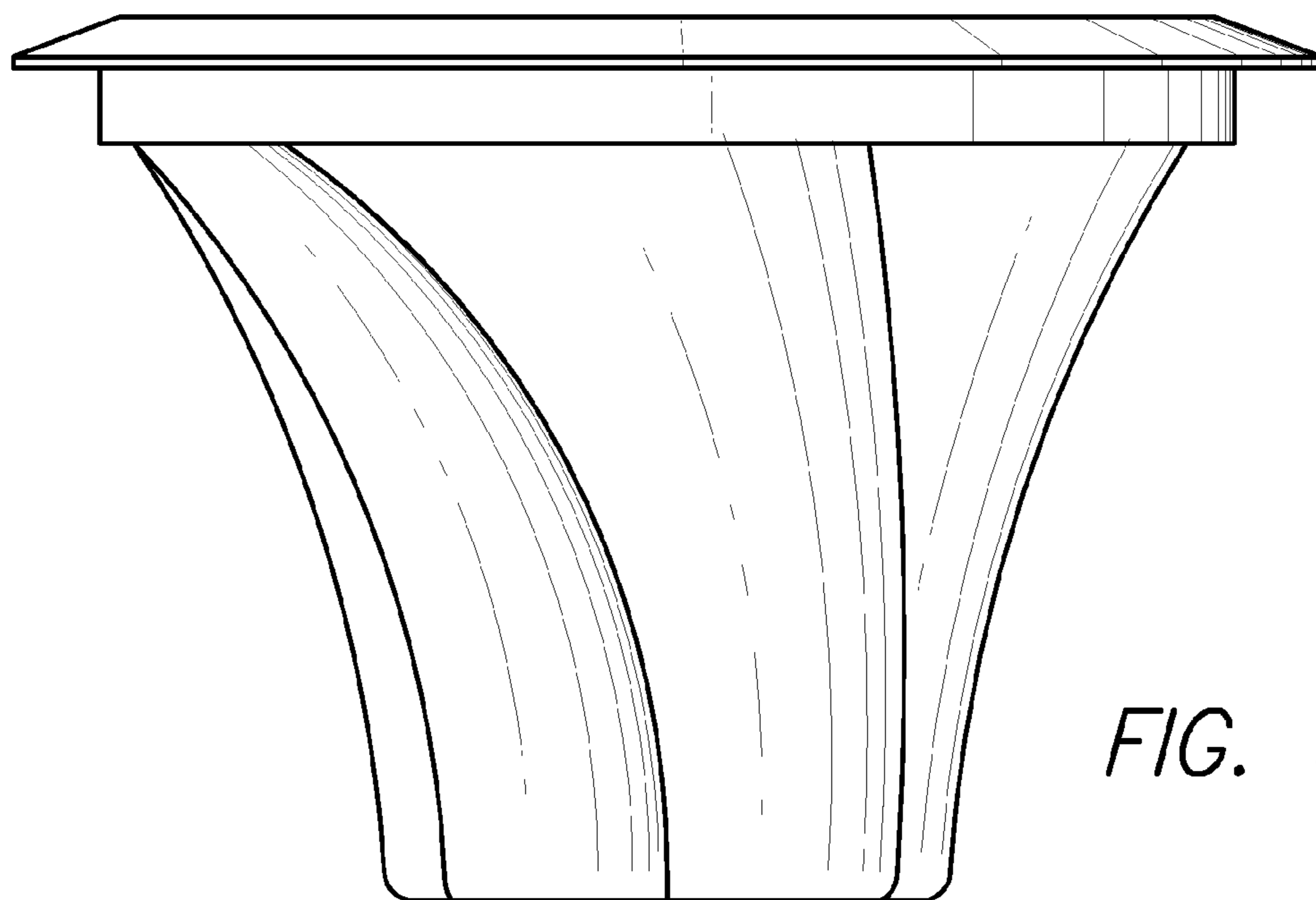
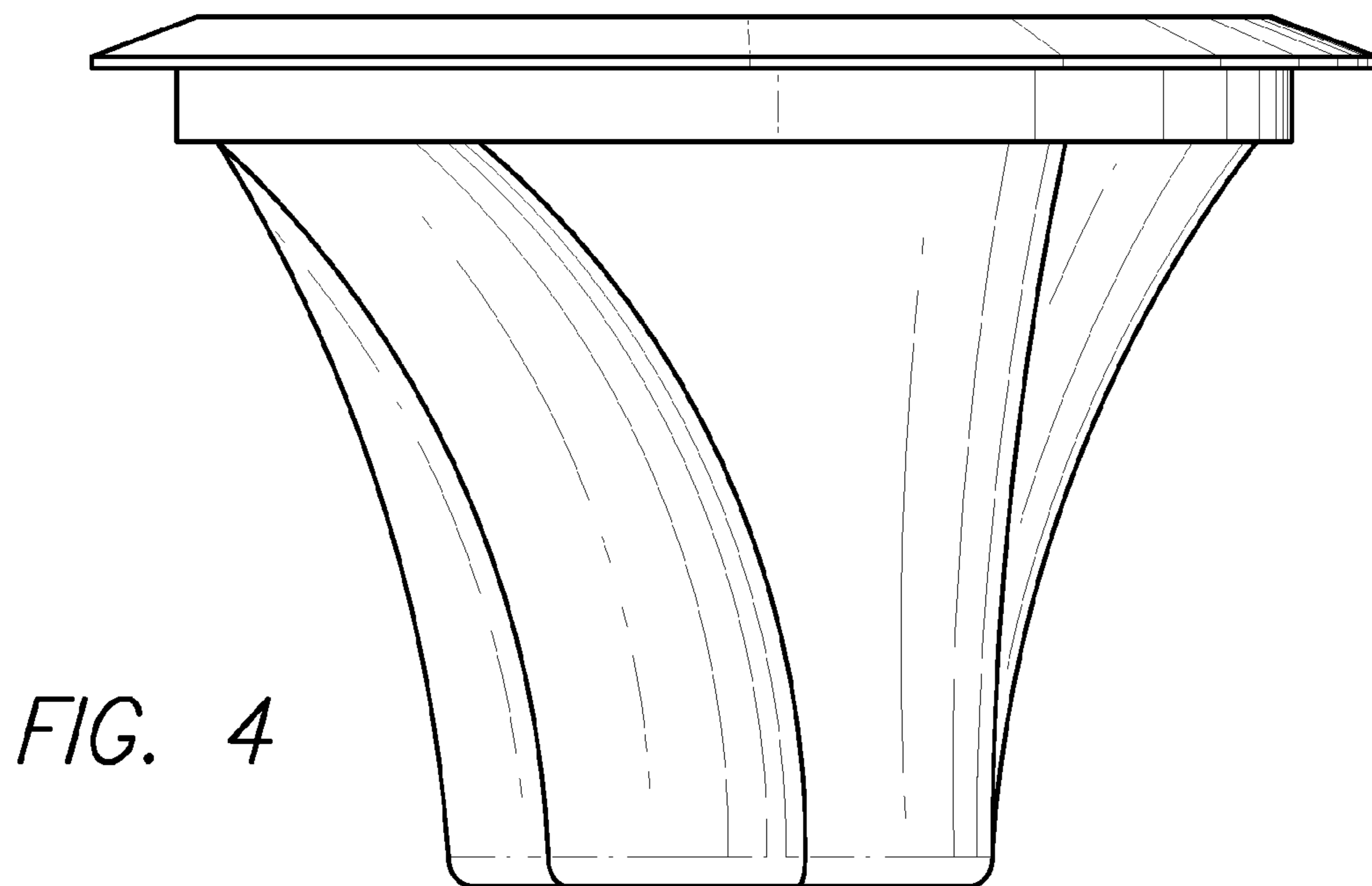
**1 Claim, 6 Drawing Sheets**

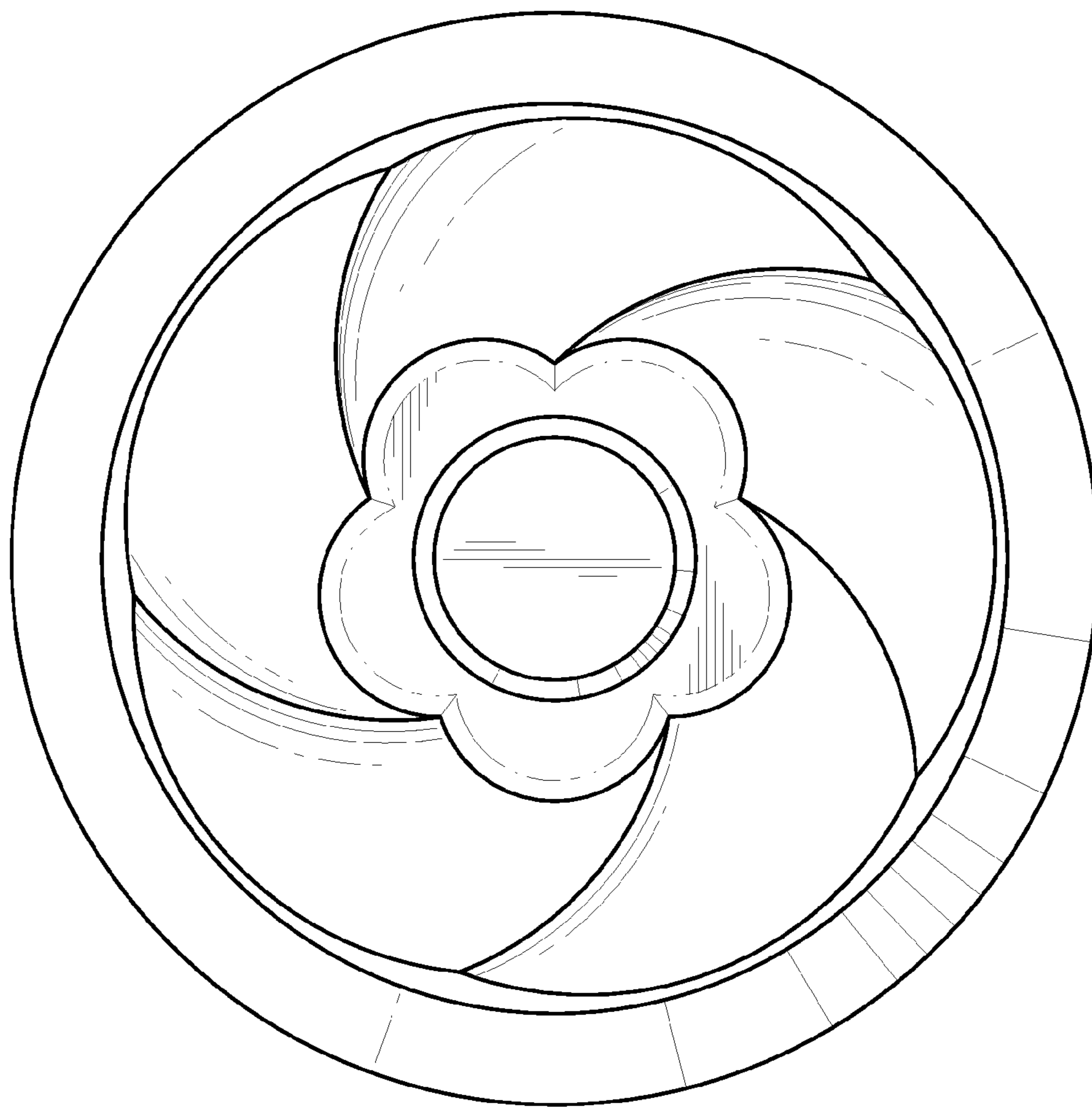




*FIG. 1*







*FIG. 6*

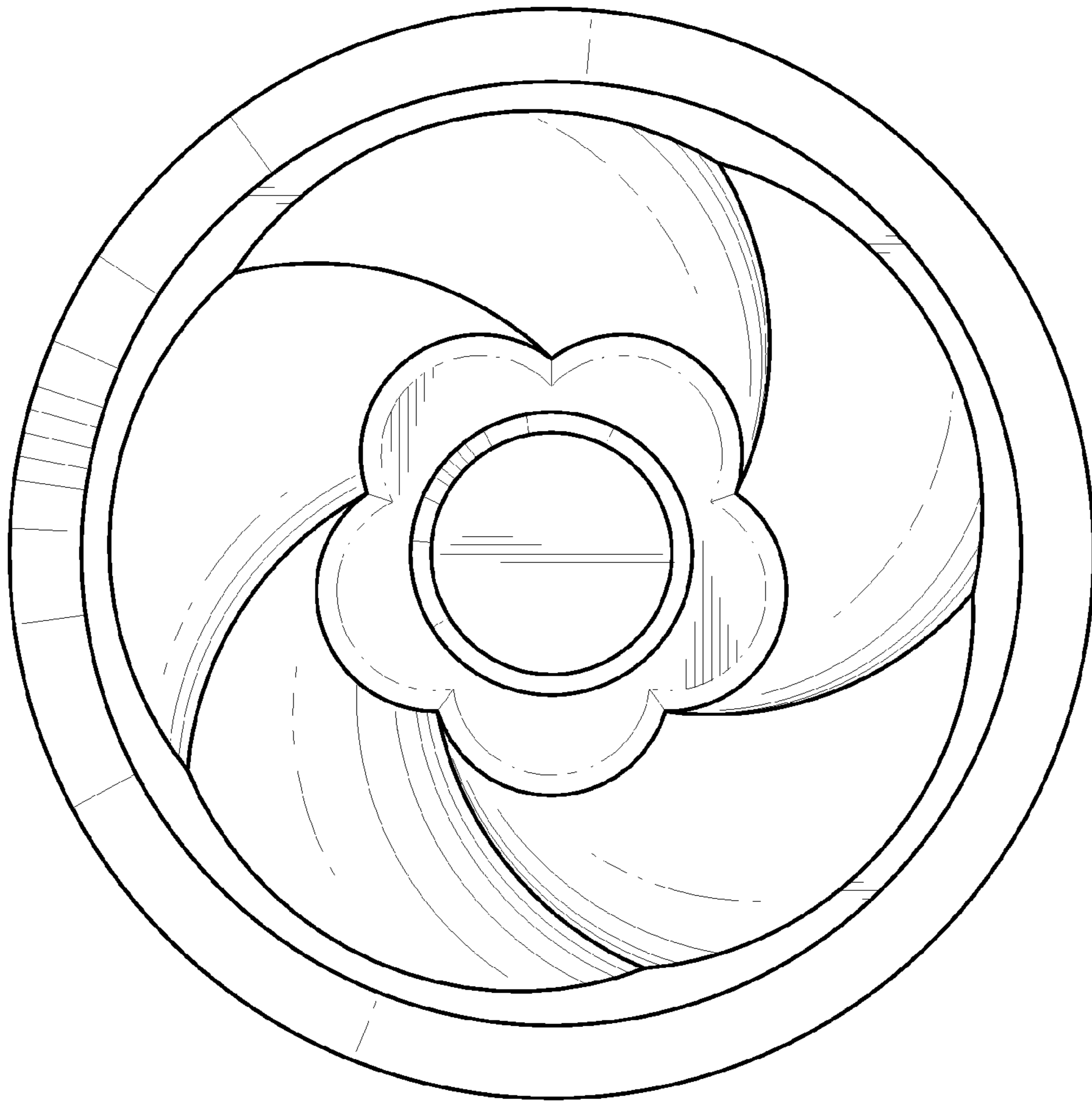
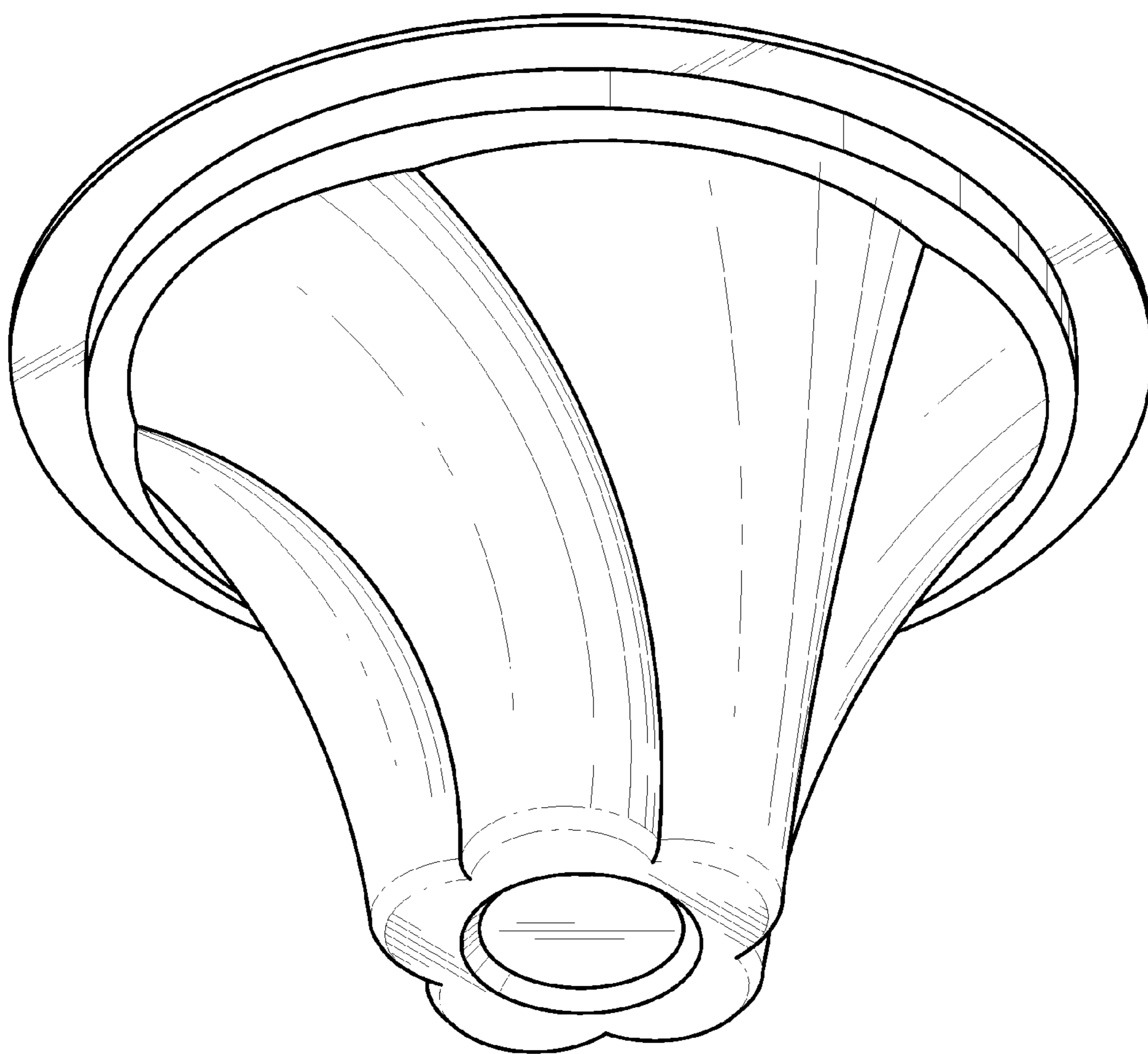


FIG. 7



*FIG. 8*