



US00D644923S

(12) **United States Design Patent**
Belias et al.

(10) **Patent No.:** **US D644,923 S**

(45) **Date of Patent:** **** Sep. 13, 2011**

(54) **CONSUMABLE PRODUCT PACKAGE**

(75) Inventors: **William P. Belias**, Pittsford, NY (US);
Adam J. Hunter, Park Ridge, IL (US)

(73) Assignee: **Wm. Wrigley Jr. Company**, Chicago, IL (US)

(**) Term: **14 Years**

(21) Appl. No.: **29/375,174**

(22) Filed: **Sep. 17, 2010**

(51) **LOC (9) Cl.** **09-03**

(52) **U.S. Cl.** **D9/423**

(58) **Field of Classification Search** D9/414,
D9/416, 420, 422, 423, 432, 433, 499, 337;
206/5, 5.1, 37, 232, 308.1-308.3, 307, 316.1,
206/372, 387.13, 425, 449, 450, 472-476,
206/493, 494, 527, 734; 229/87.18, 126,
229/19, 800; 220/890, 100, 123, 124, 125;
D3/218, 273; D6/407, 626, 632

See application file for complete search history.

(56) **References Cited**

U.S. PATENT DOCUMENTS

2,197,388	A *	4/1940	Towers	206/260
2,754,867	A *	7/1956	Langer	206/278
3,295,741	A *	1/1967	Meyers	229/103.3
D454,303	S *	3/2002	Sipinen	D9/702
6,398,020	B1 *	6/2002	Smith	206/232
D489,255	S *	5/2004	Kratzert et al.	D9/433
D493,106	S *	7/2004	Bonzagni et al.	D9/707

D495,254	S *	8/2004	Carlos	D9/433
D512,304	S *	12/2005	Aldridge	D9/422
D555,511	S *	11/2007	Warmka et al.	D9/722
D594,323	S *	6/2009	Friedman et al.	D9/423
D619,454	S	7/2010	Fluegel et al.		
D624,401	S *	9/2010	Friedman et al.	D9/423
D628,065	S *	11/2010	Russell	D9/434
2006/0142720	A1 *	6/2006	Zander et al.	604/385.02
2009/0211938	A1	8/2009	Aldridge		

FOREIGN PATENT DOCUMENTS

WO 2010/088492 8/2010

* cited by examiner

Primary Examiner — Thomas Johannes

(57) **CLAIM**

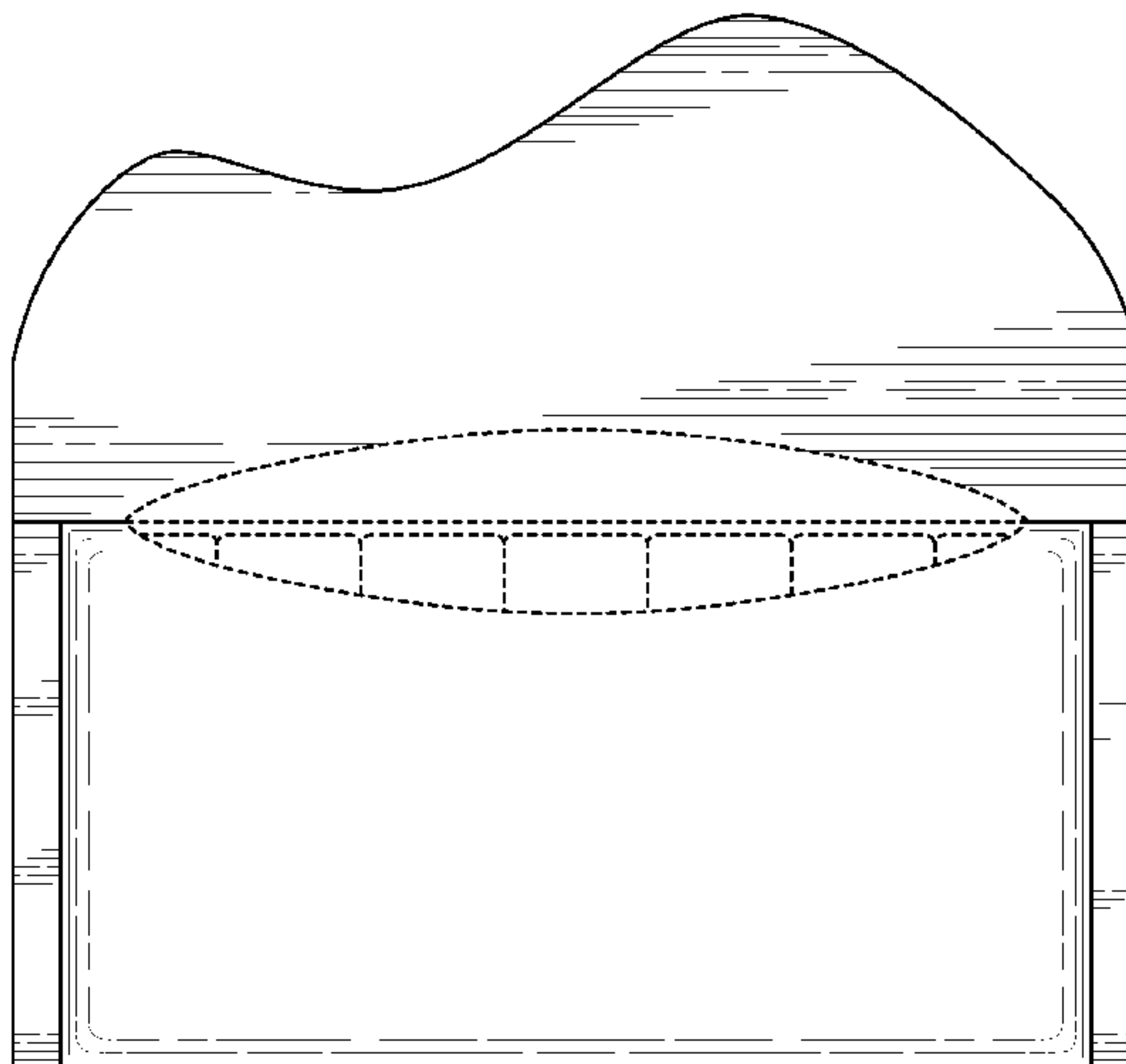
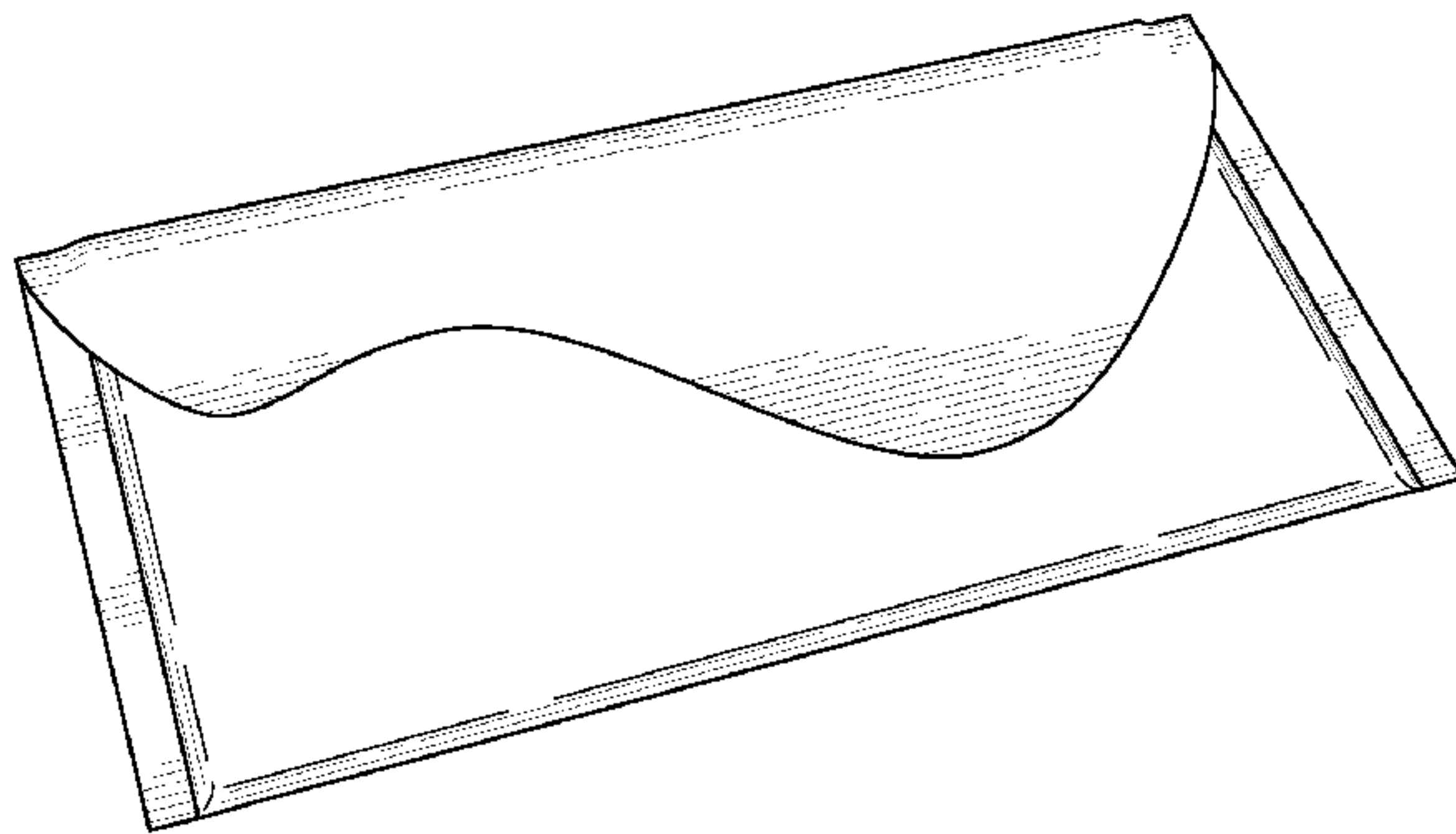
The ornamental design for a consumable product package, as shown and described.

DESCRIPTION

FIG. 1 is a front elevation view of a consumable product package, showing our new design;
FIG. 2 is a rear elevation view thereof;
FIG. 3 is a front, right side perspective view thereof;
FIG. 4 is a front, left side perspective view thereof;
FIG. 5 is a right side elevation view thereof;
FIG. 6 is a top plan view thereof;
FIG. 7 is a bottom plan view thereof; and,
FIG. 8 is a front elevation view thereof, wherein the cover is in an open position.

The broken lines shown in the drawings show unclaimed subject matter only and form no part of the claimed design.

1 Claim, 3 Drawing Sheets



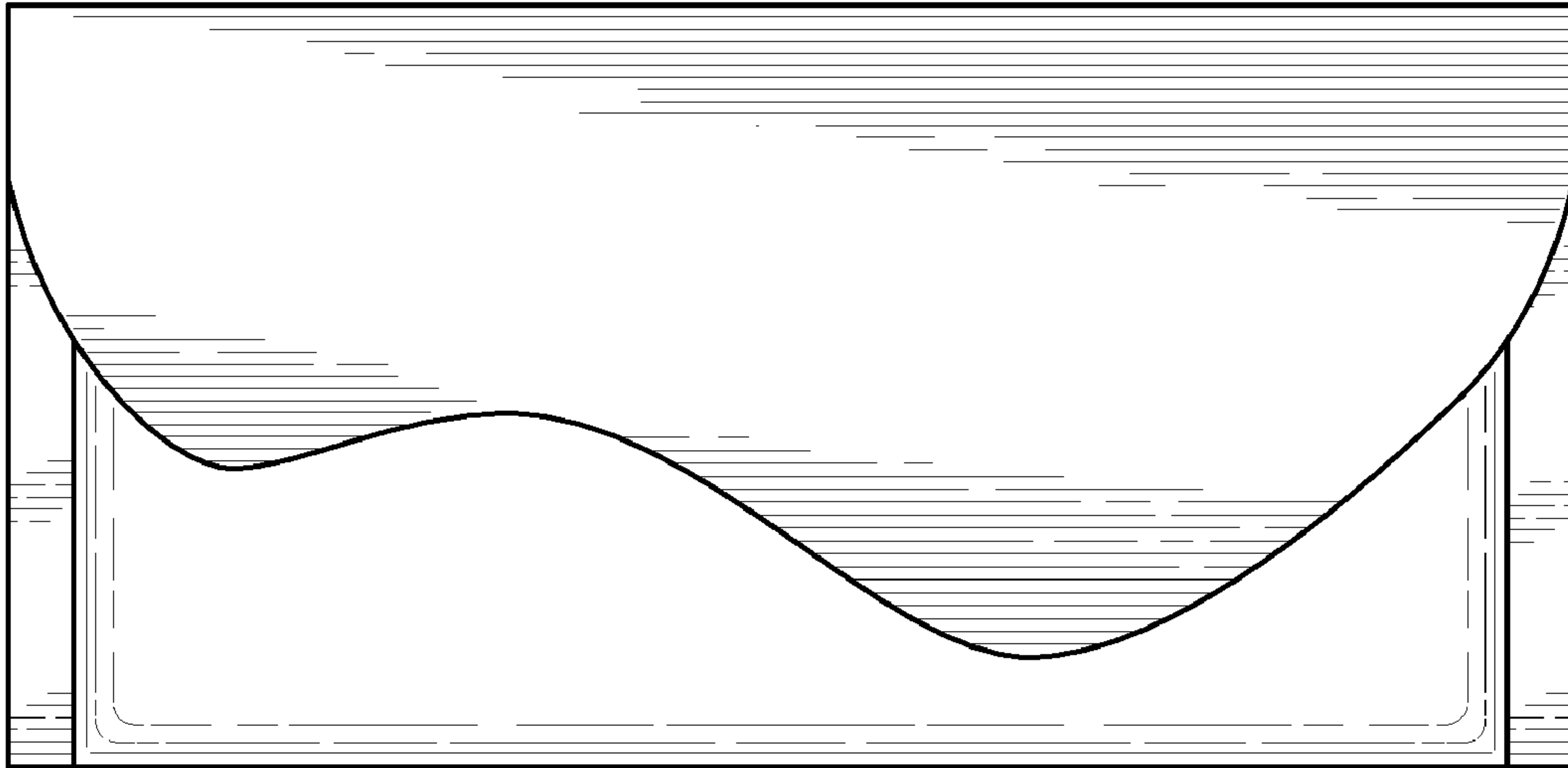


FIG. 1

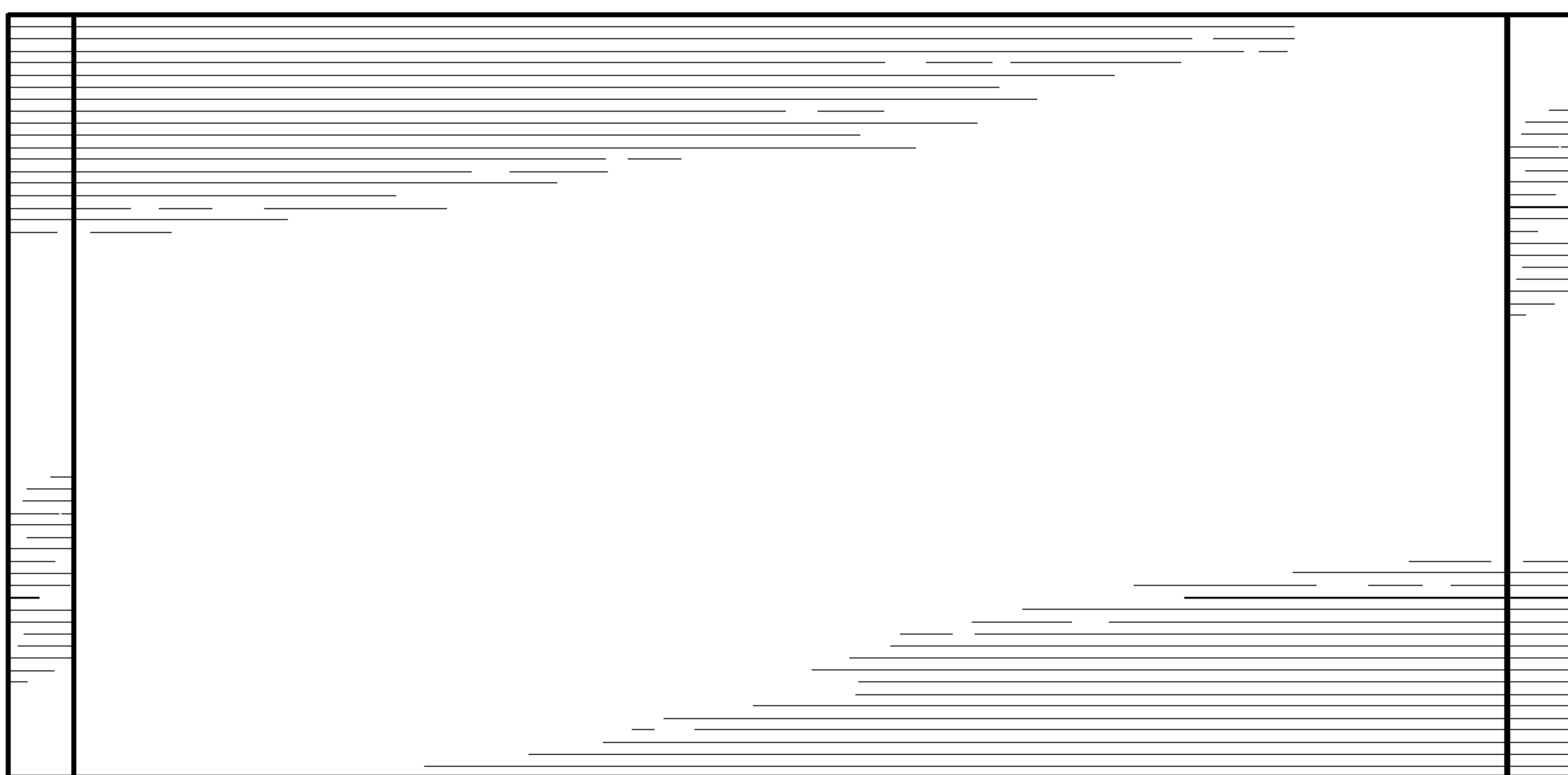


FIG. 2

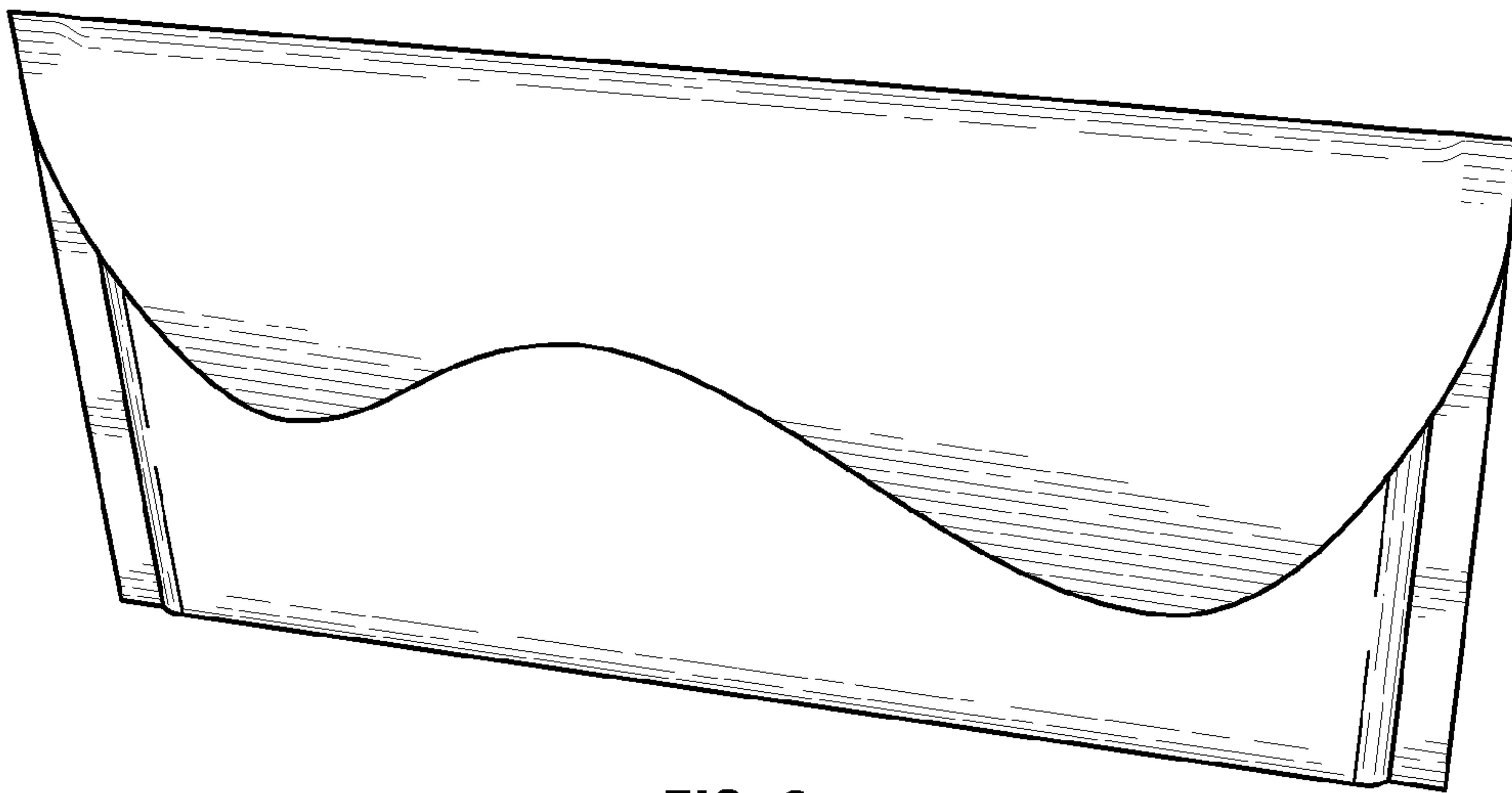


FIG. 3

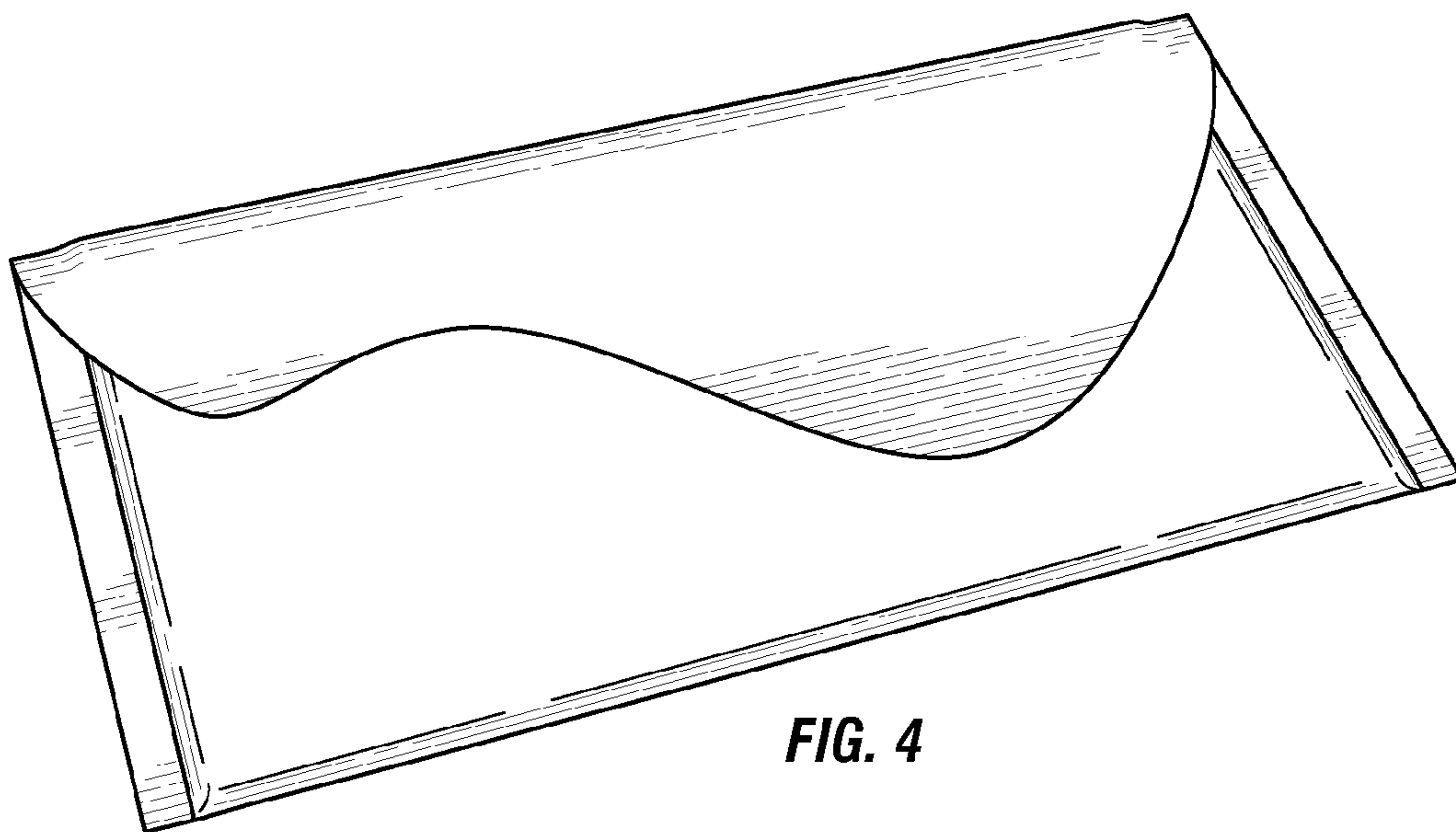


FIG. 4



FIG. 5



FIG. 6



FIG. 7

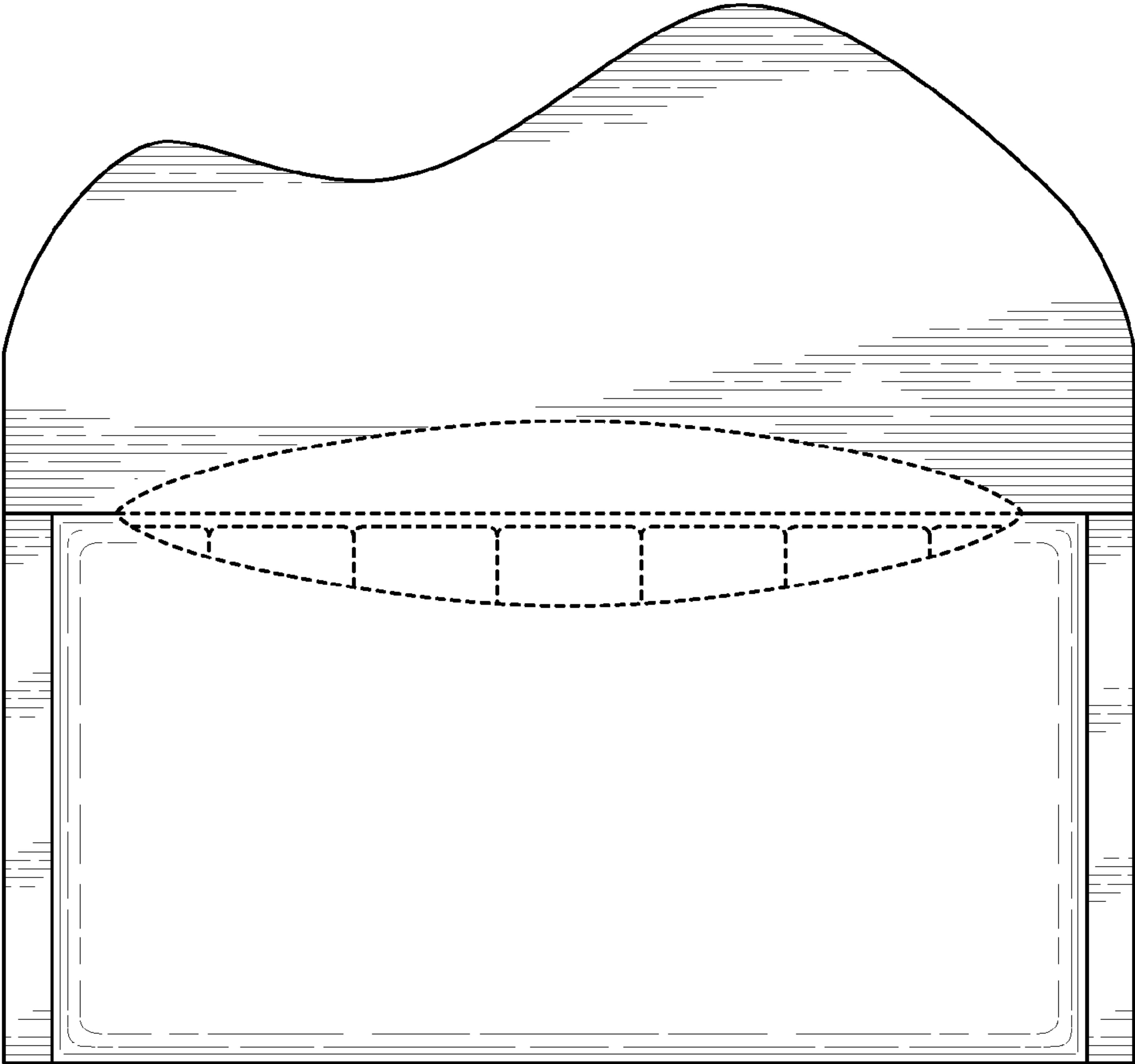


FIG. 8