



US00D644920S

(12) **United States Design Patent**
Price

(10) **Patent No.:** **US D644,920 S**
(45) **Date of Patent:** **** Sep. 13, 2011**

(54) **CLIP**
(75) **Inventor:** **Gary Michael Price**, Bishop's Stortford
(GB)
(73) **Assignee:** **The Plasterboard Clip Company Ltd.**
(GB)
(**) **Term:** **14 Years**
(21) **Appl. No.:** **29/360,400**

(22) **Filed:** **Apr. 26, 2010**
(51) **LOC (9) Cl.** **08-08**
(52) **U.S. Cl.** **D8/395**
(58) **Field of Classification Search** D8/356,
D8/371, 394-396; D19/65, 34; D24/128;
24/570, 128, 67.9, 66.13; 248/74.2, 215,
248/227.1, 49, 300, 301, 316.7, 51, 489;
D11/214, 215, 78.1; 116/237
See application file for complete search history.

(56) **References Cited**

U.S. PATENT DOCUMENTS

4,904,108 A * 2/1990 Wendel 403/173
6,299,400 B1 * 10/2001 Tebo 411/459
D481,281 S * 10/2003 Anderson D8/71
D531,492 S * 11/2006 Tilman D8/395
D558,040 S * 12/2007 Skinner D8/382
D563,781 S * 3/2008 Carnevali D8/395

D568,147 S * 5/2008 Prichard et al. D8/382
D575,143 S * 8/2008 Kuo et al. D8/394
D576,026 S * 9/2008 Mazzocco D8/382
D609,558 S * 2/2010 Pilarski D8/395
D611,327 S * 3/2010 Chawgo D8/356
D617,180 S * 6/2010 VanElverdinghe D8/382
D617,633 S * 6/2010 VanElverdinghe D8/382
7,805,902 B2 * 10/2010 Martel 52/489.1
D634,610 S * 3/2011 Watson et al. D8/382
D634,611 S * 3/2011 Watson et al. D8/382
2003/0126722 A1 * 7/2003 Thompson 24/3.12
2004/0200793 A1 * 10/2004 Hardy 211/119.003

* cited by examiner

Primary Examiner — Celia Murphy

Assistant Examiner — John Windmuller

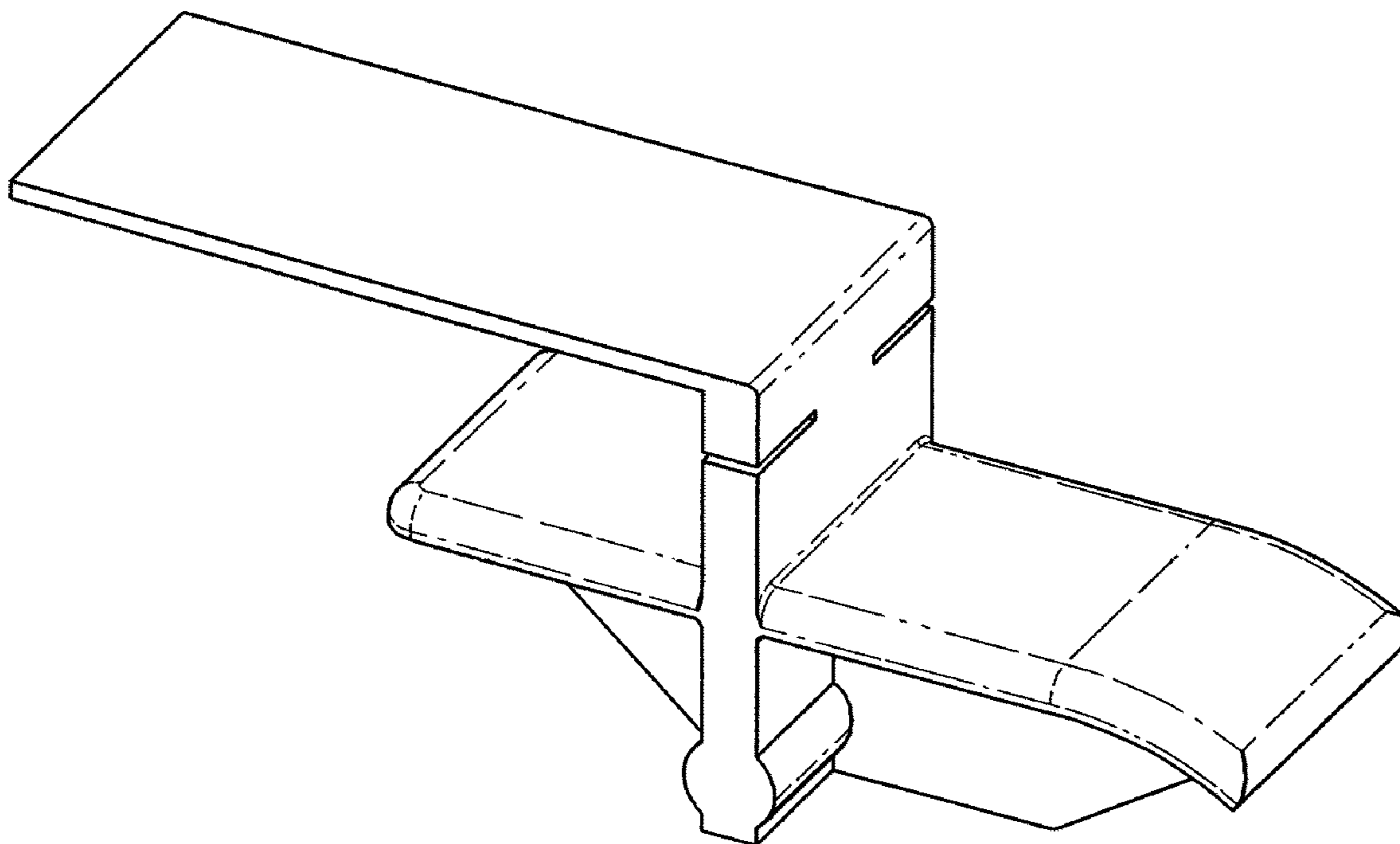
(74) *Attorney, Agent, or Firm* — Kane Kessler, P.C.; Paul E. Szabo

(57) **CLAIM**
The ornamental design for a clip, as shown.

DESCRIPTION

FIG. 1 is a perspective view of a clip showing my new design;
FIG. 2 is a front elevational view thereof;
FIG. 3 is a rear elevational view thereof;
FIG. 4 is a right side elevational view thereof;
FIG. 5 is a left side elevational view thereof;
FIG. 6 is a top plan view thereof; and,
FIG. 7 is a bottom plan view thereof.

1 Claim, 2 Drawing Sheets



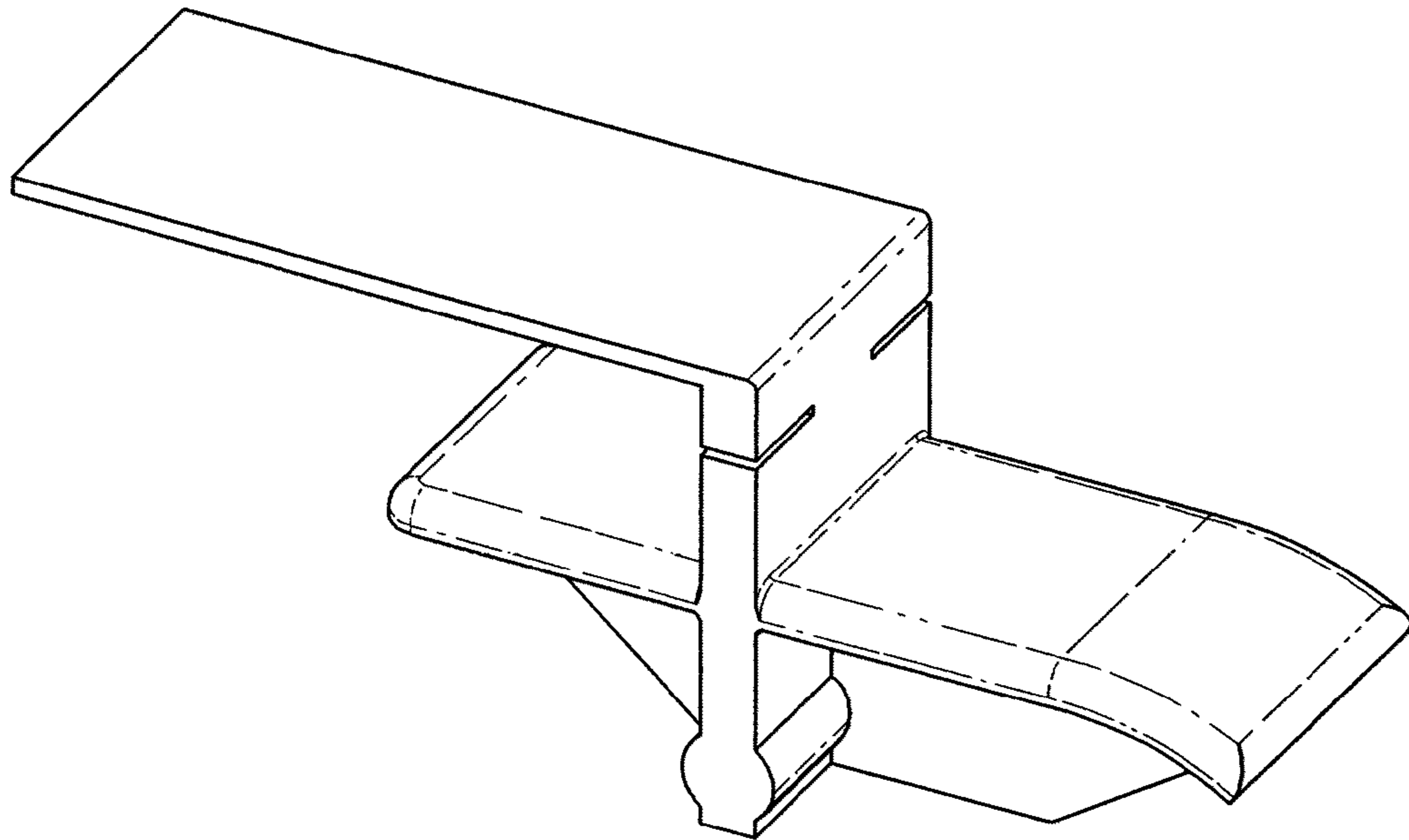


Fig. 1

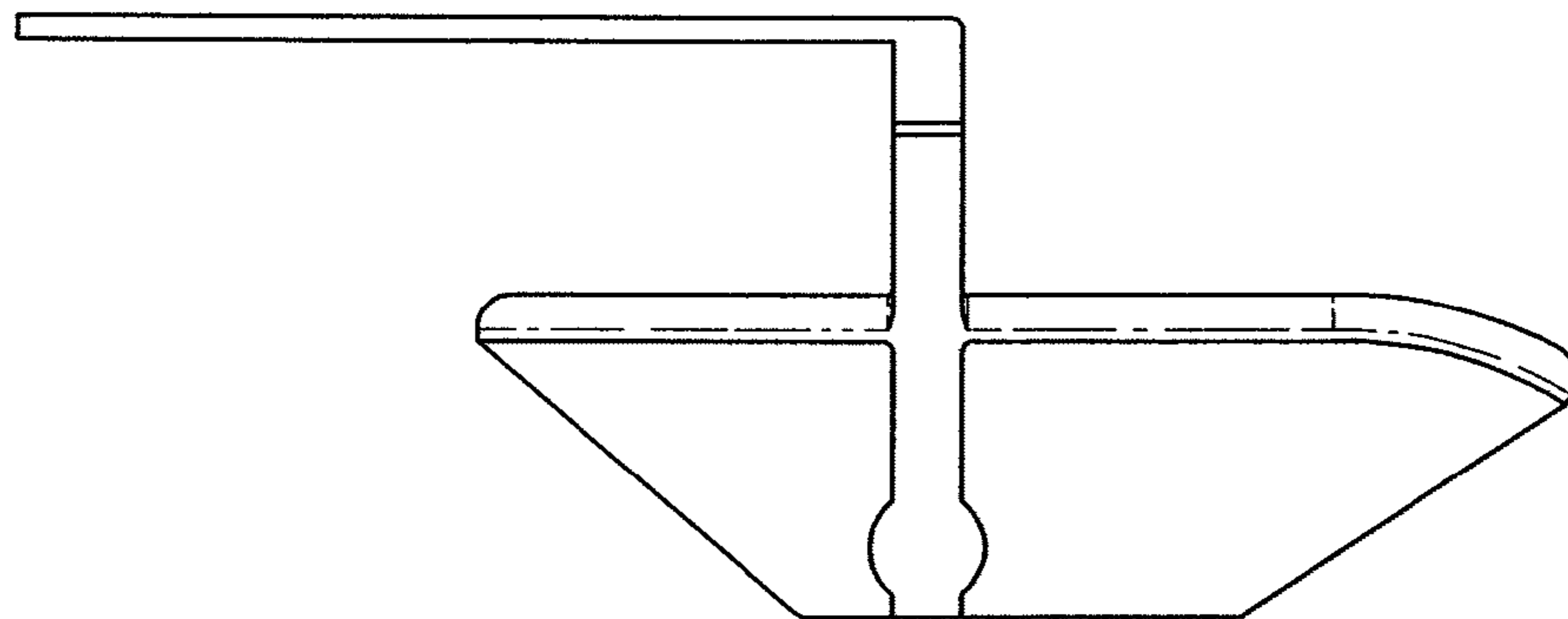


Fig. 2

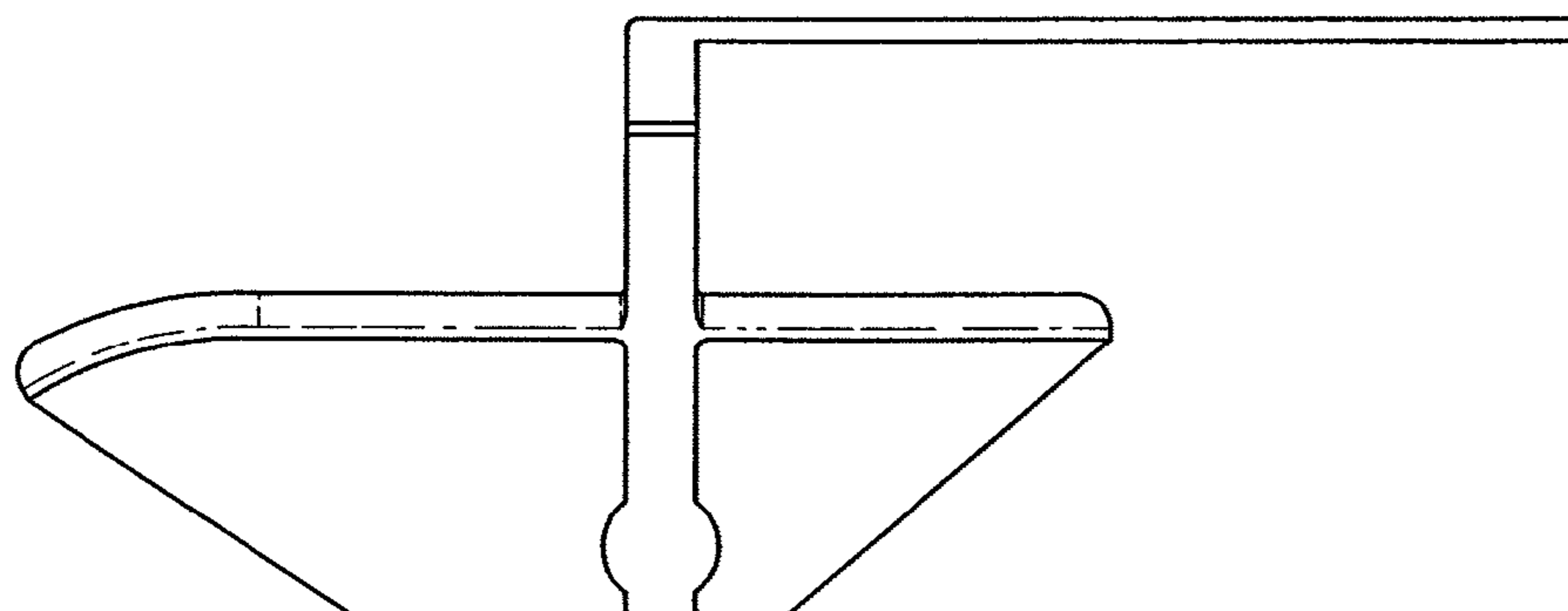


Fig. 3

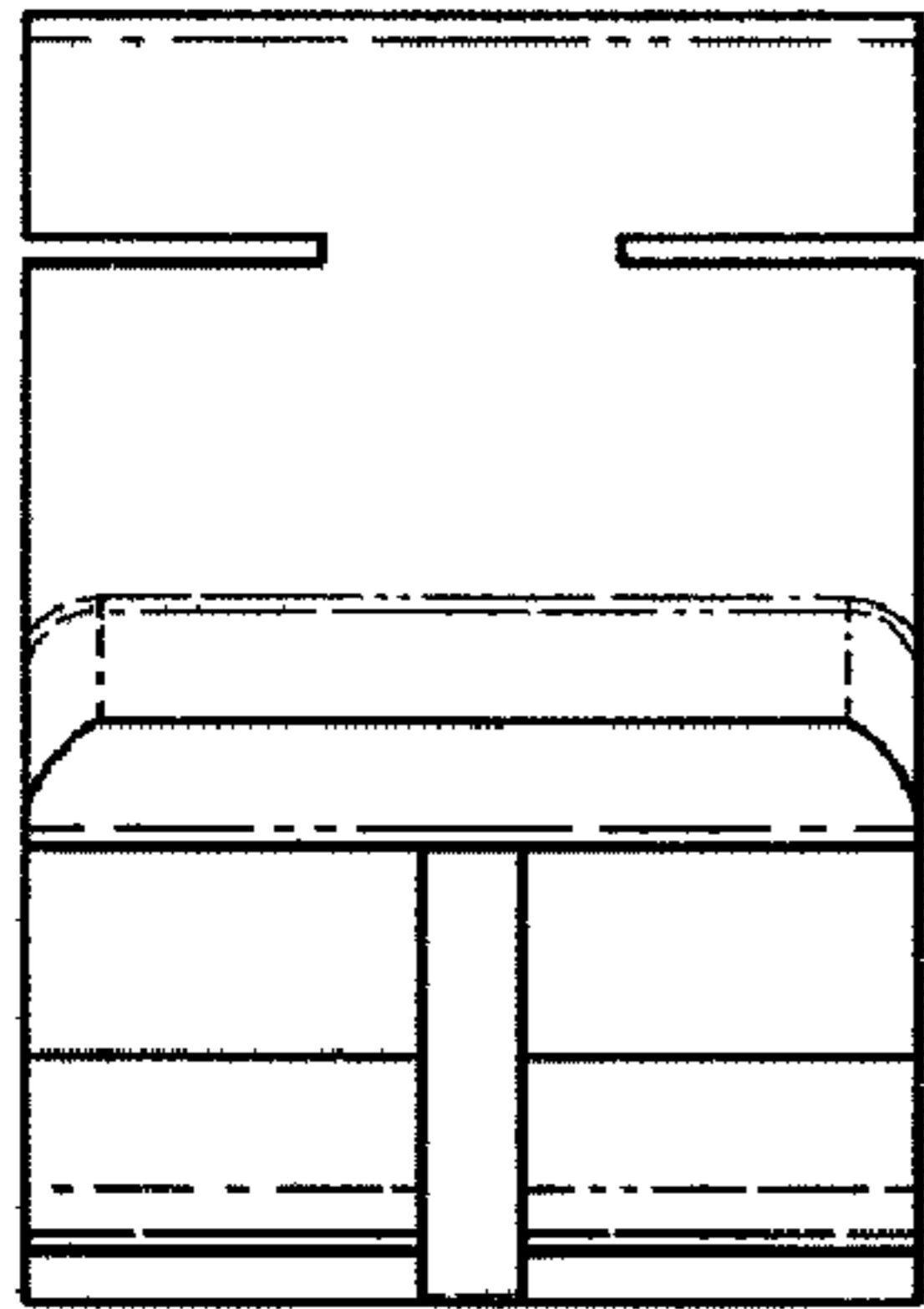


Fig. 4

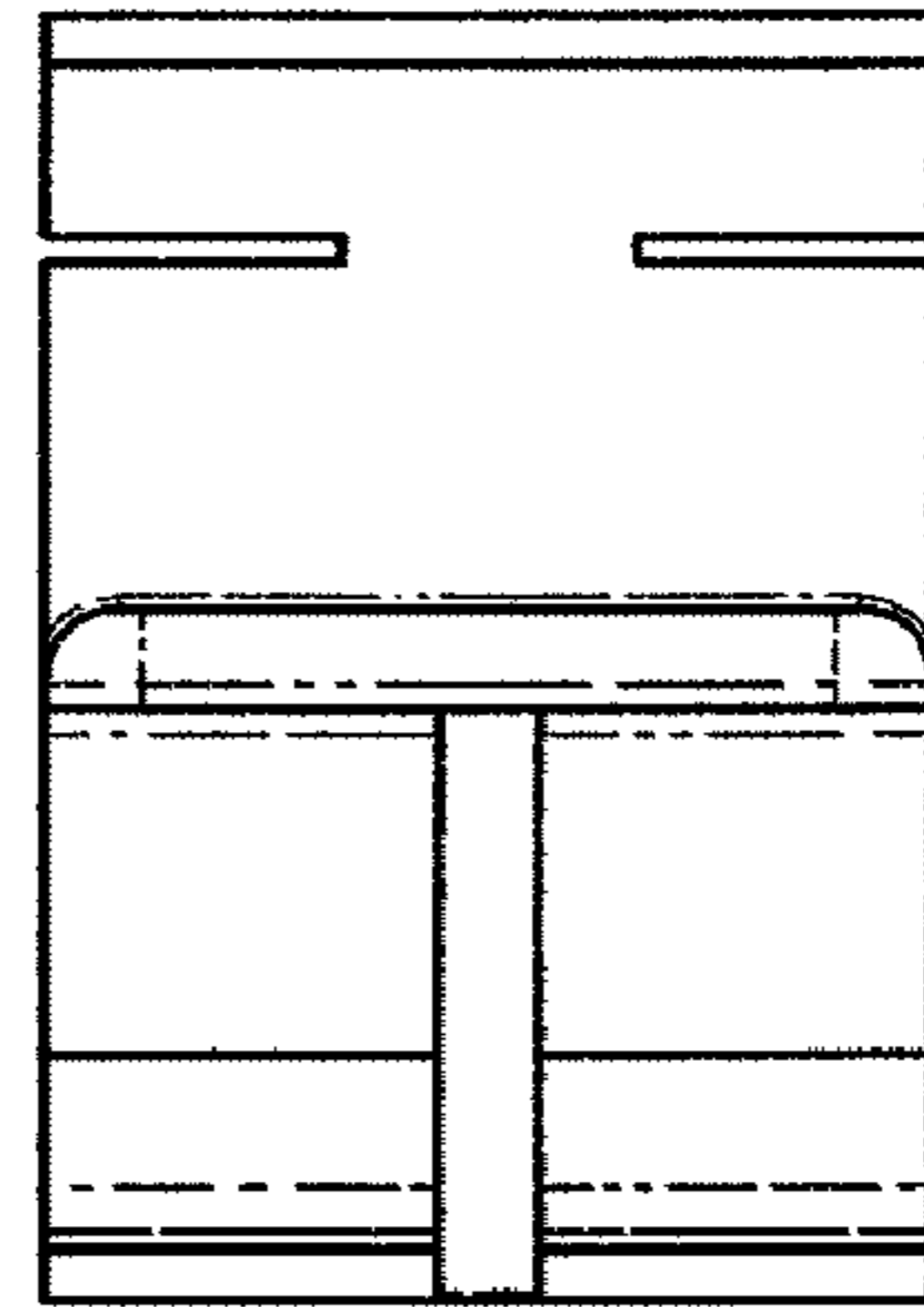


Fig. 5

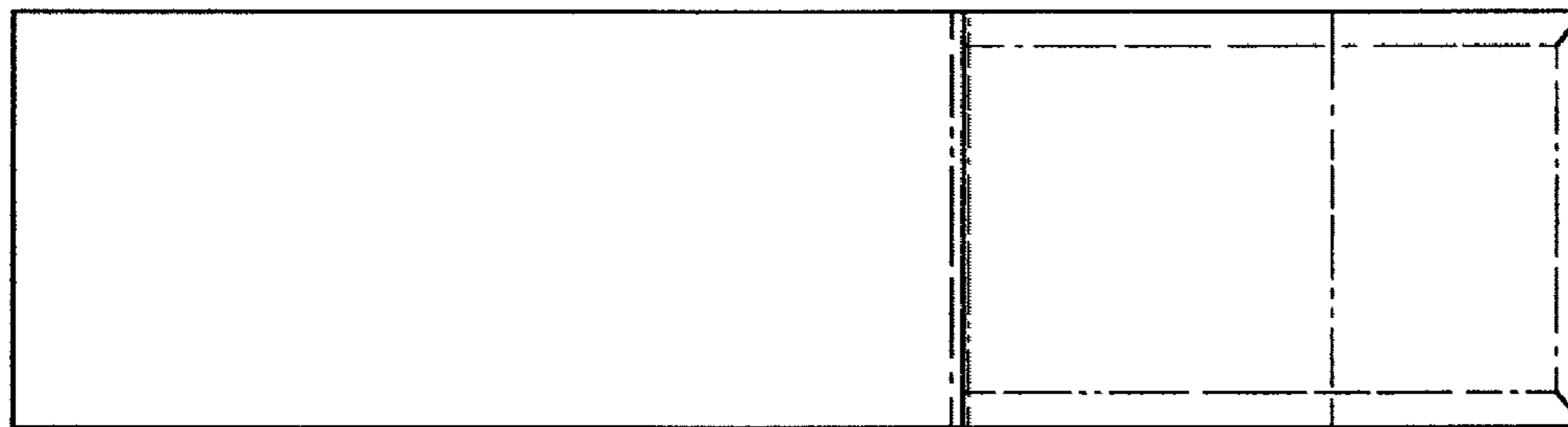


Fig. 6

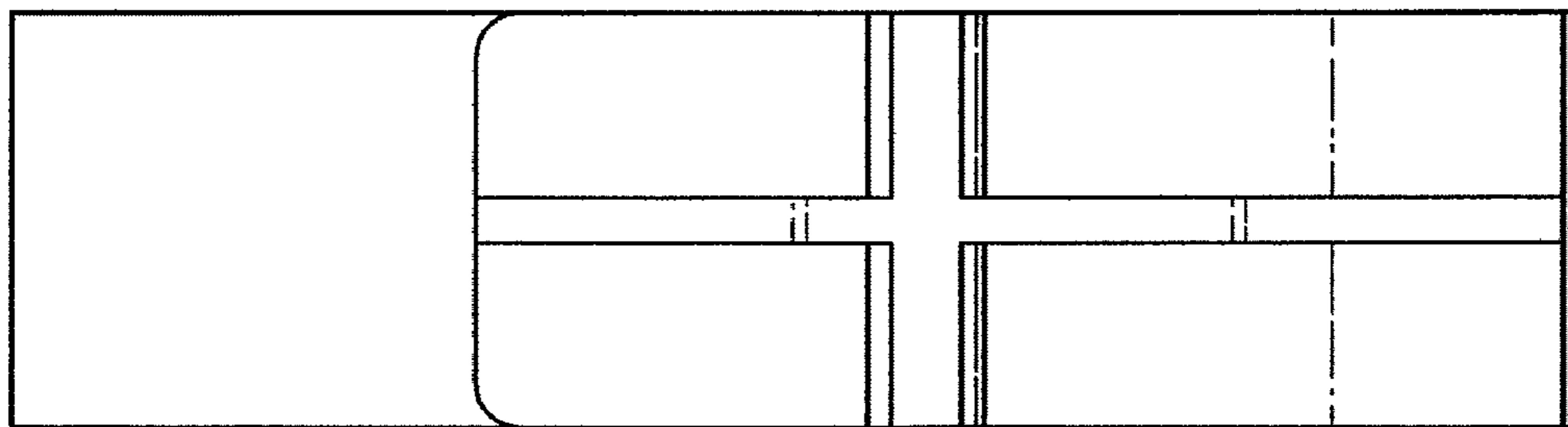


Fig. 7