



US00D644919S

(12) **United States Design Patent**
Freeman

(10) **Patent No.:** **US D644,919 S**

(45) **Date of Patent:** **** Sep. 13, 2011**

(54) **PRIVACY FENCE SUPPORT**

(76) Inventor: **James E. Freeman**, Grants Pass, OR
(US)

(**) Term: **14 Years**

(21) Appl. No.: **29/367,238**

(22) Filed: **Aug. 4, 2010**

(51) **LOC (9) Cl.** **08-05**

(52) **U.S. Cl.** **D8/381**

(58) **Field of Classification Search** D8/363,
D8/381; 248/235, 237, 243, 247
See application file for complete search history.

(56) **References Cited**

U.S. PATENT DOCUMENTS

D365,016 S *	12/1995	Hollinger	D8/381
D530,596 S *	10/2006	Aldeghi et al.	D8/381
D605,932 S *	12/2009	Piersant	D8/381

* cited by examiner

Primary Examiner — Holly Baynham

(74) *Attorney, Agent, or Firm* — Jerry Haynes Law

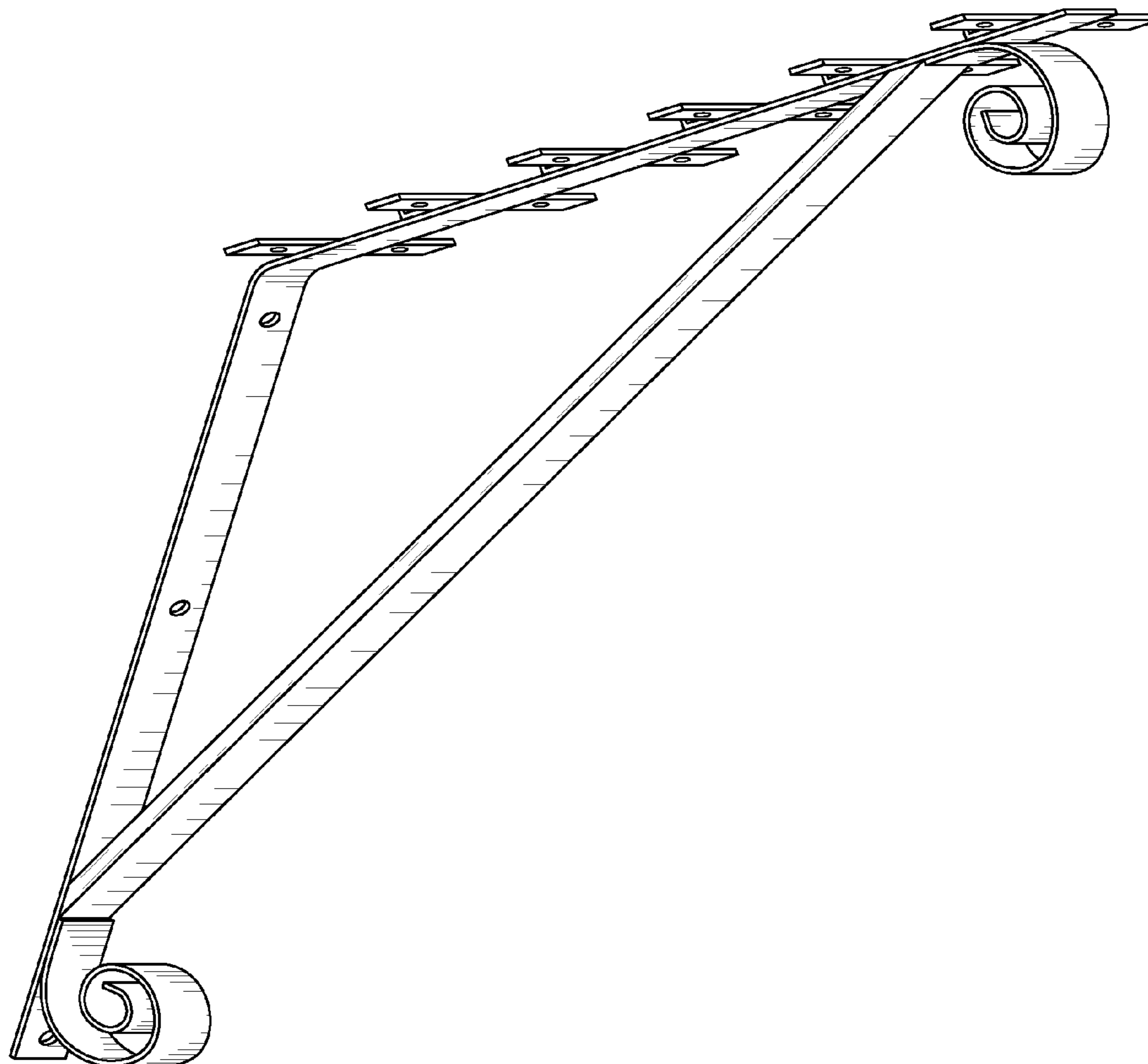
(57) **CLAIM**

The ornamental design for a privacy fence support, as shown and described.

DESCRIPTION

FIG. 1 is a front perspective view of a privacy fence support showing my new design;
FIG. 2 is a left side view thereof;
FIG. 3 is a right side view thereof;
FIG. 4 is a front view thereof;
FIG. 5 is a back view thereof;
FIG. 6 is a top view thereof;
FIG. 7 is a bottom view thereof; and,
FIG. 8 is an environmental, perspective view with the broken lines showing a partial fence, and a bracket being for the purposes of illustrating environment and forming no part of the claimed design.

1 Claim, 5 Drawing Sheets



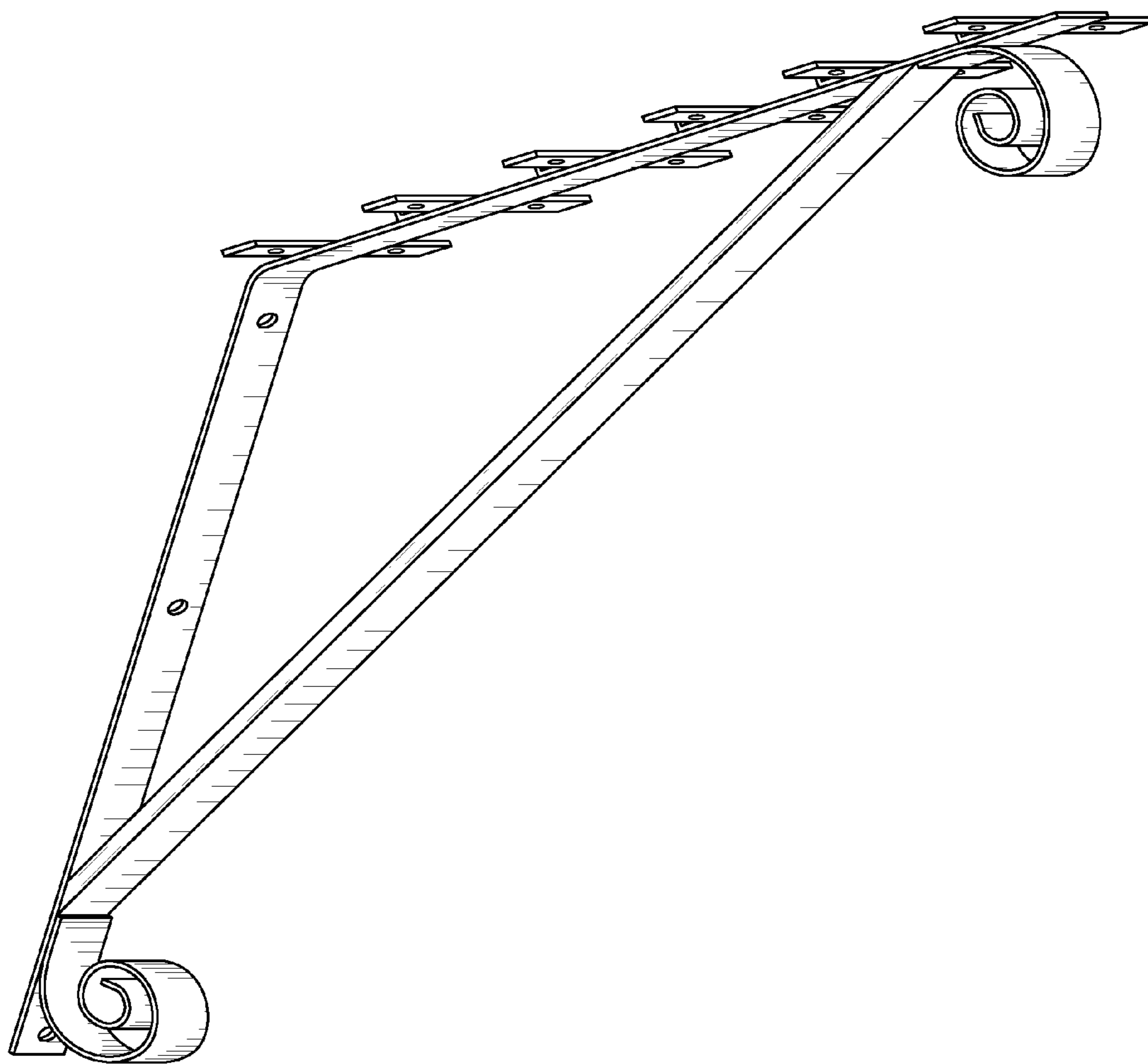


FIG. 1

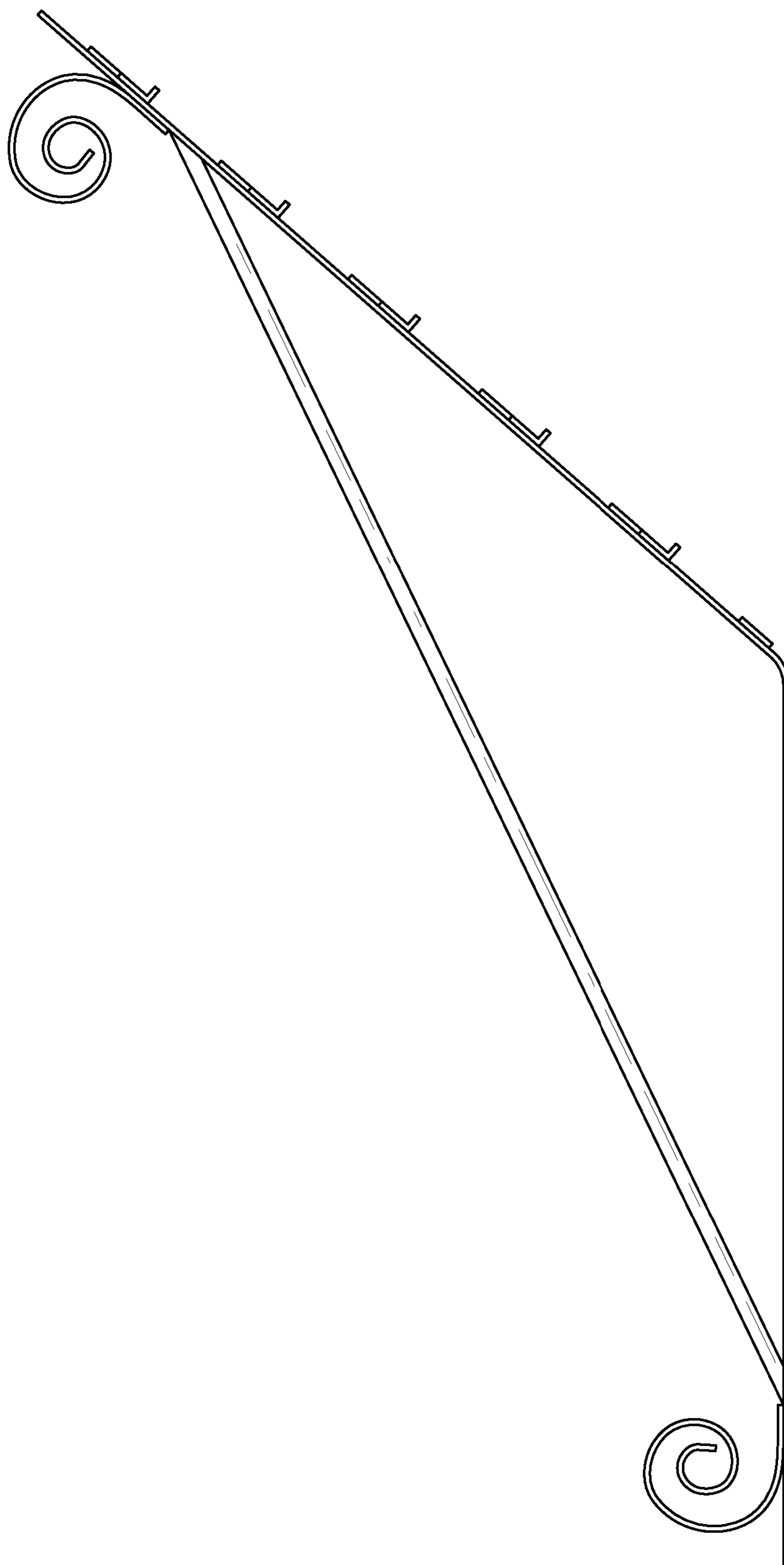


FIG. 2

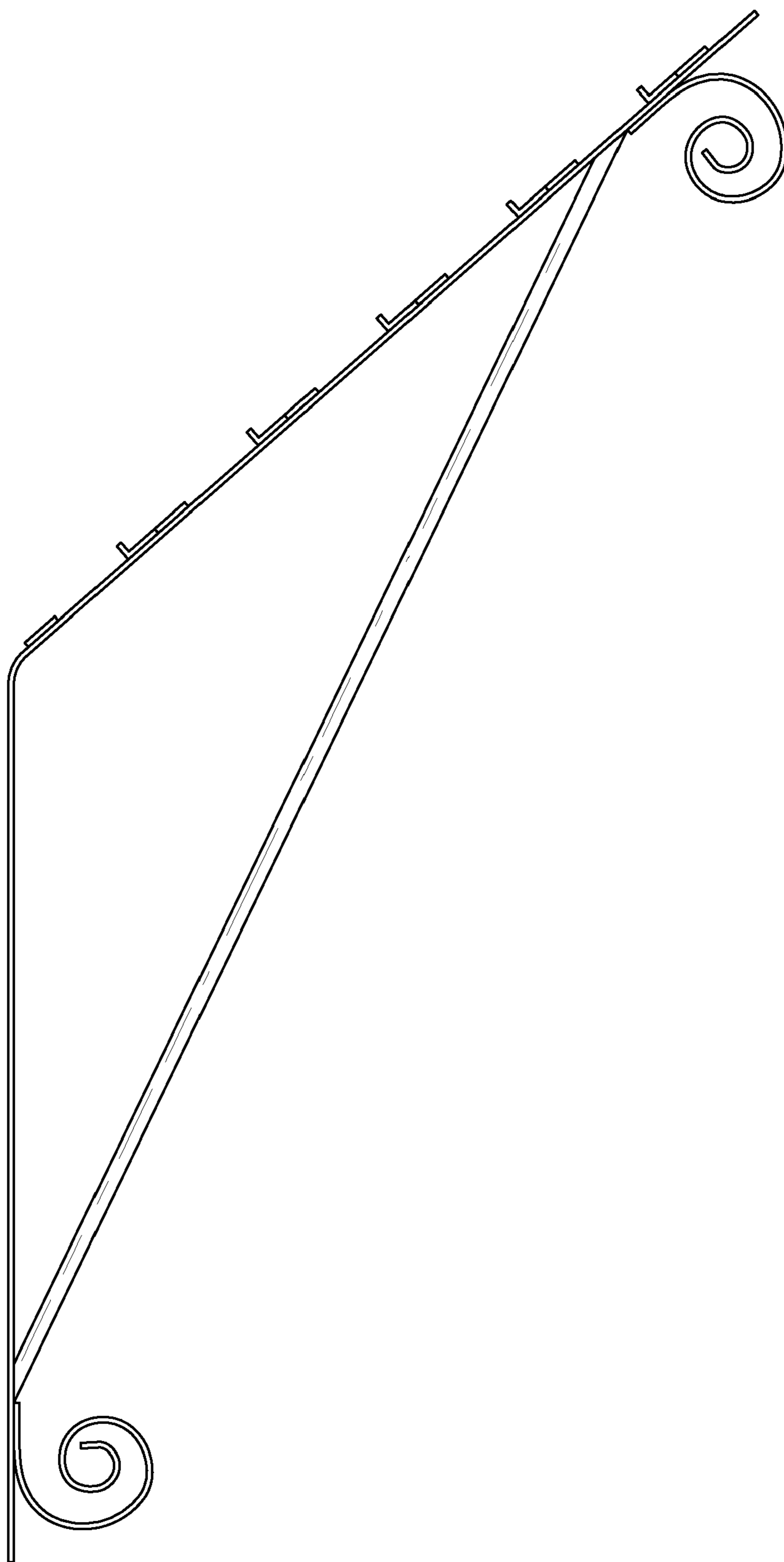


FIG. 3

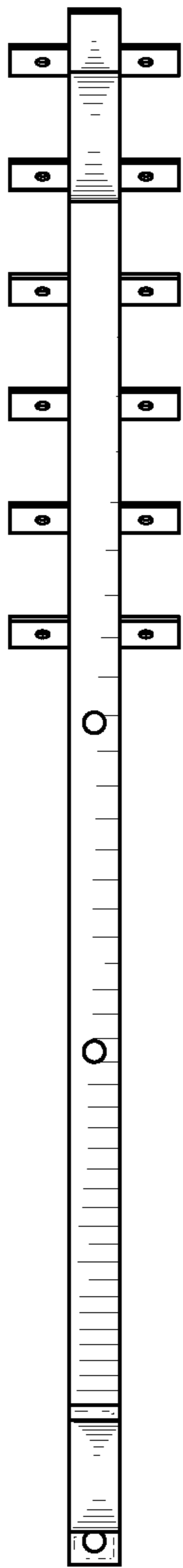


FIG. 4

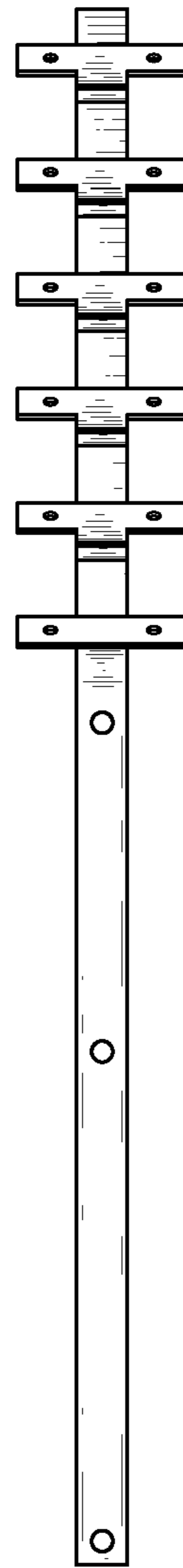


FIG. 5

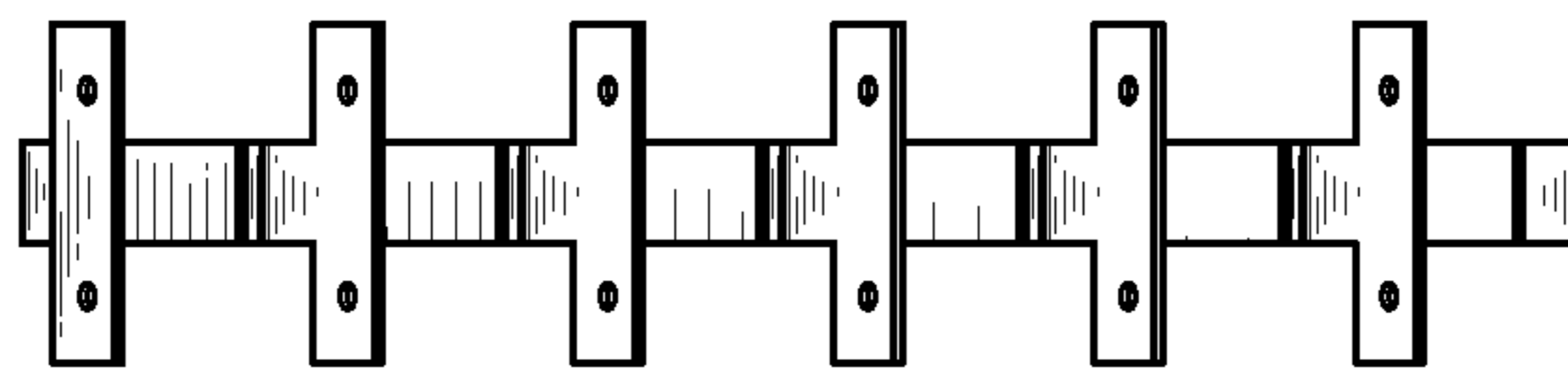


FIG. 6

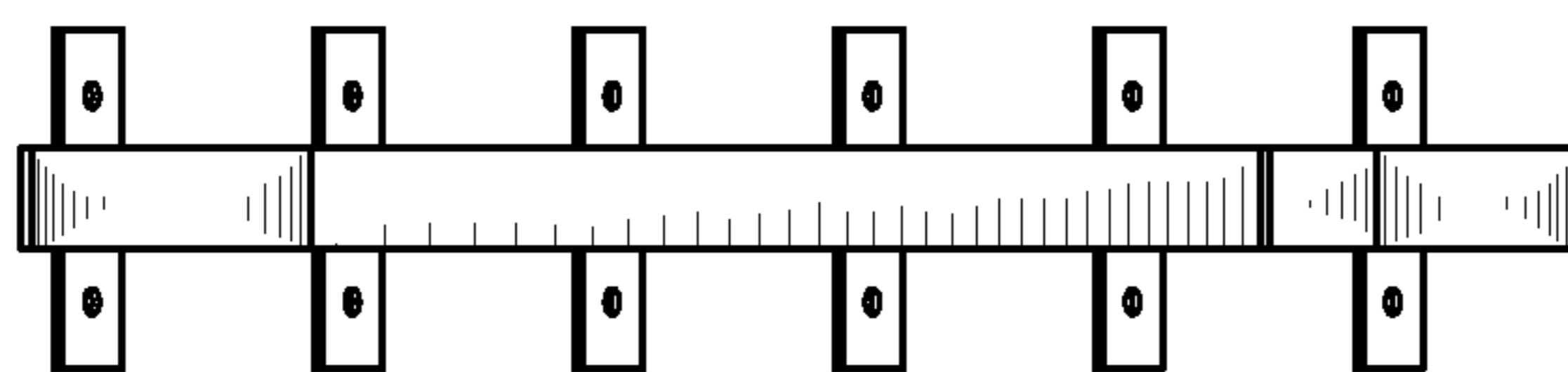


FIG. 7

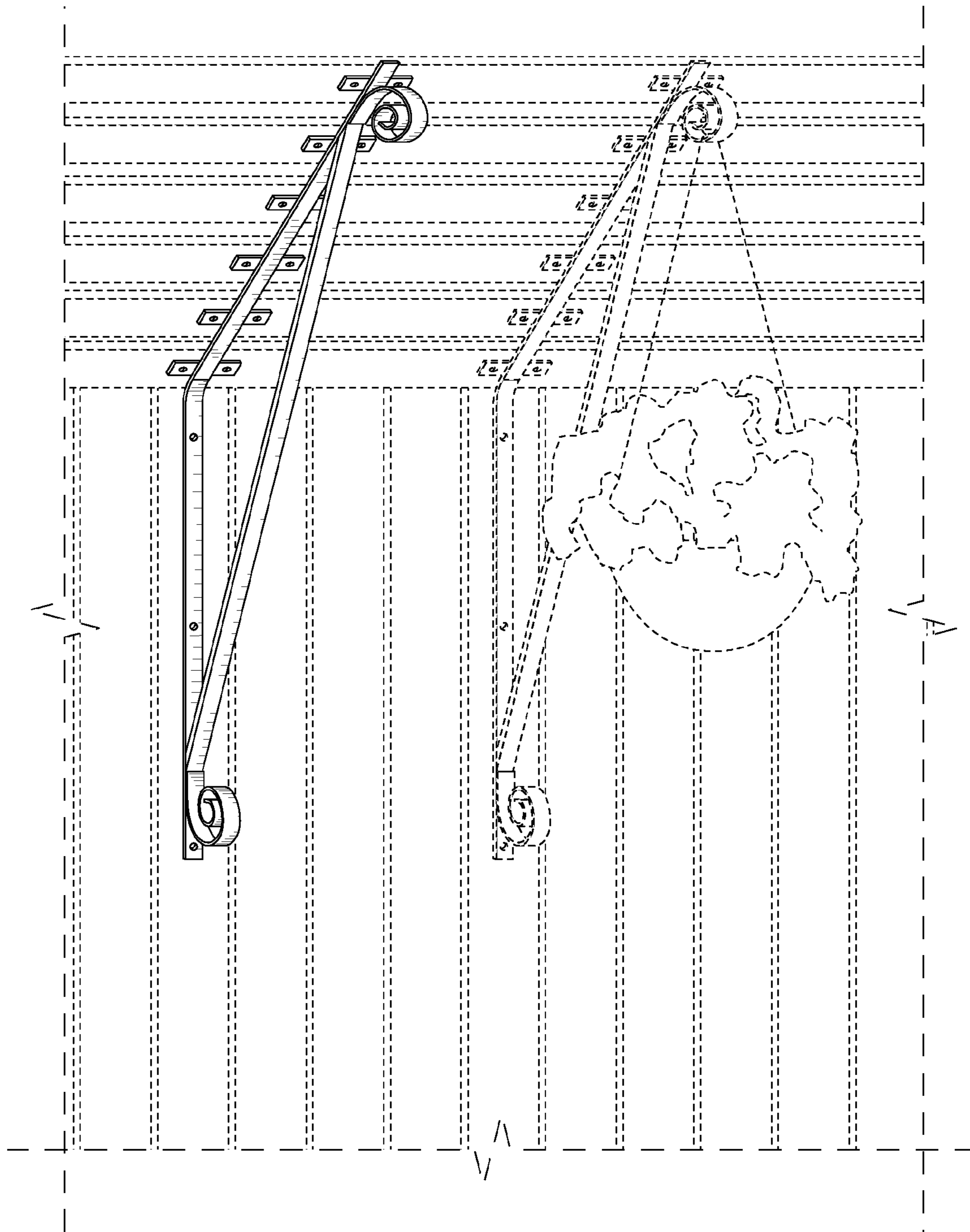


FIG. 8