



US00D644915S

(12) **United States Design Patent**  
**Chen**

(10) **Patent No.:** **US D644,915 S**

(45) **Date of Patent:** **\*\* Sep. 13, 2011**

(54) **SOCKET HOLDER**

(76) Inventor: **Kun-Chen Chen**, Taichung Hsien (TW)

(\*\*) Term: **14 Years**

(21) Appl. No.: **29/365,342**

(22) Filed: **Jul. 8, 2010**

(51) **LOC (9) Cl.** ..... **08-05**

(52) **U.S. Cl.** ..... **D8/354**

(58) **Field of Classification Search** ..... D8/354,  
D8/349, 356, 499; 206/372-378, 806, 493,  
206/349; 211/70.6; 81/124.2, 124.6, 124.7  
See application file for complete search history.

(56) **References Cited**

**U.S. PATENT DOCUMENTS**

5,467,874	A *	11/1995	Whitaker	.....	206/378
6,032,797	A *	3/2000	Kao	.....	206/378
6,070,745	A *	6/2000	Dembicks	.....	211/70.6
6,092,655	A *	7/2000	Ernst	.....	206/378
6,168,018	B1 *	1/2001	Ramsey et al.	.....	206/378
6,386,363	B1 *	5/2002	Huang	.....	206/378
6,712,225	B2 *	3/2004	McNeely	.....	211/70.6
6,834,570	B2 *	12/2004	Risolio	.....	81/177.3
6,991,105	B2 *	1/2006	Winnard	.....	206/378
7,137,514	B1 *	11/2006	Nickipuck	.....	211/70.6
7,841,480	B2 *	11/2010	Hsieh	.....	211/70.6

2003/0019775	A1 *	1/2003	Ernst	.....	206/378
2003/0024837	A1 *	2/2003	Chen	.....	206/378
2003/0150824	A1 *	8/2003	McNeely	.....	211/70.6
2004/0144216	A1 *	7/2004	Risolio	.....	81/177.3
2004/0211691	A1 *	10/2004	Winnard	.....	206/378
2005/0064757	A1 *	3/2005	Kathan et al.	.....	439/357
2005/0087044	A1 *	4/2005	Risolio	.....	81/177.3
2009/0194494	A1 *	8/2009	Kao	.....	211/70.6
2009/0266956	A1 *	10/2009	Shih	.....	248/221.11
2010/0065520	A1 *	3/2010	Hsieh	.....	211/70.6
2011/0048989	A1 *	3/2011	Winnard	.....	206/378
2011/0089126	A1 *	4/2011	Hsieh	.....	211/70.6

\* cited by examiner

*Primary Examiner* — Mark Goodwin  
(74) *Attorney, Agent, or Firm* — patenttm.us

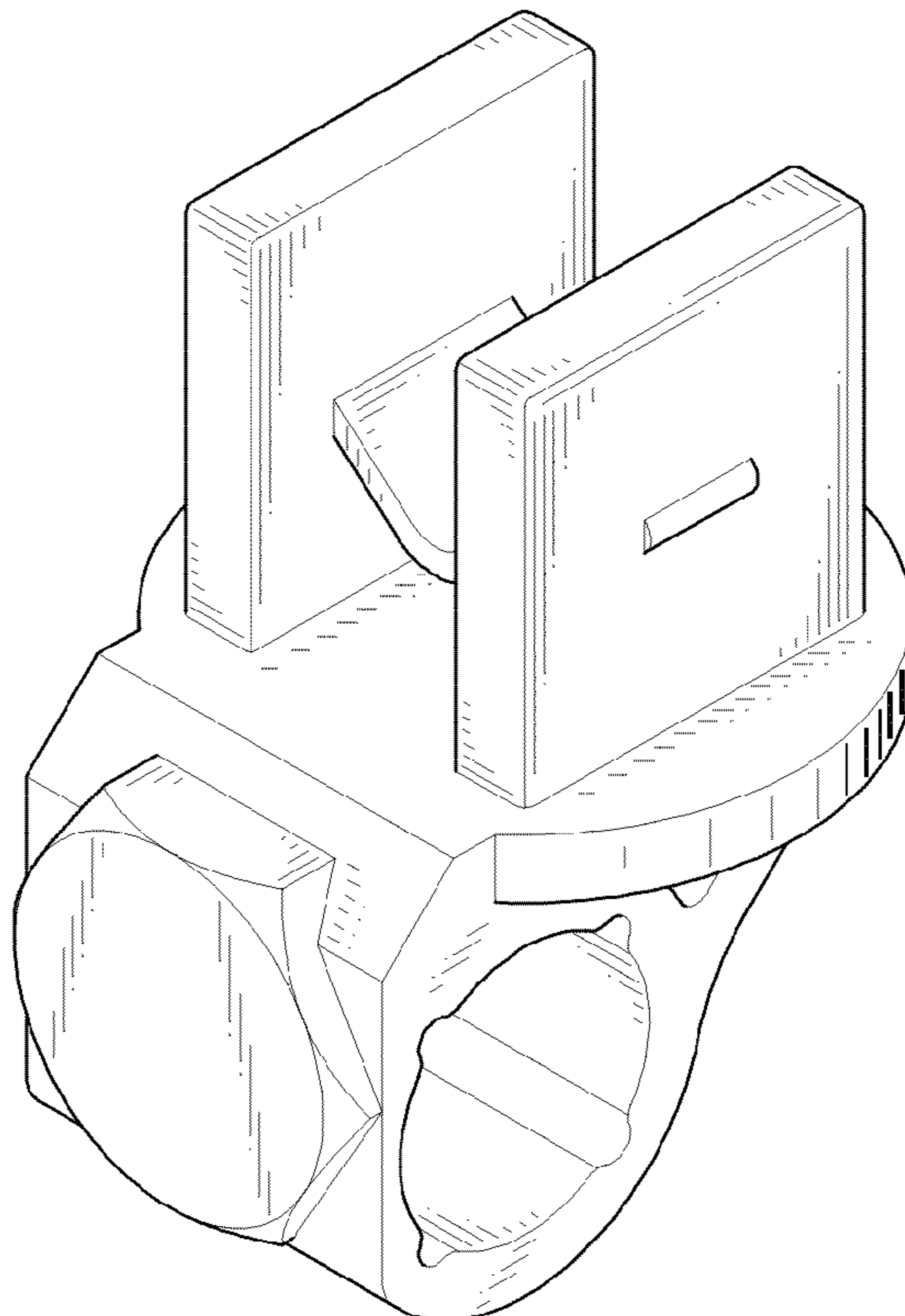
(57) **CLAIM**

The ornamental design for a socket holder, as shown.

**DESCRIPTION**

FIG. 1 is a perspective view of a socket holder, showing my new design;  
FIG. 2 is a front view thereof;  
FIG. 3 is a rear view thereof;  
FIG. 4 is a left side view thereof;  
FIG. 5 is a right side view thereof;  
FIG. 6 is a top view thereof;  
FIG. 7 is a bottom view thereof; and,  
FIG. 8 is another perspective view thereof.

**1 Claim, 5 Drawing Sheets**



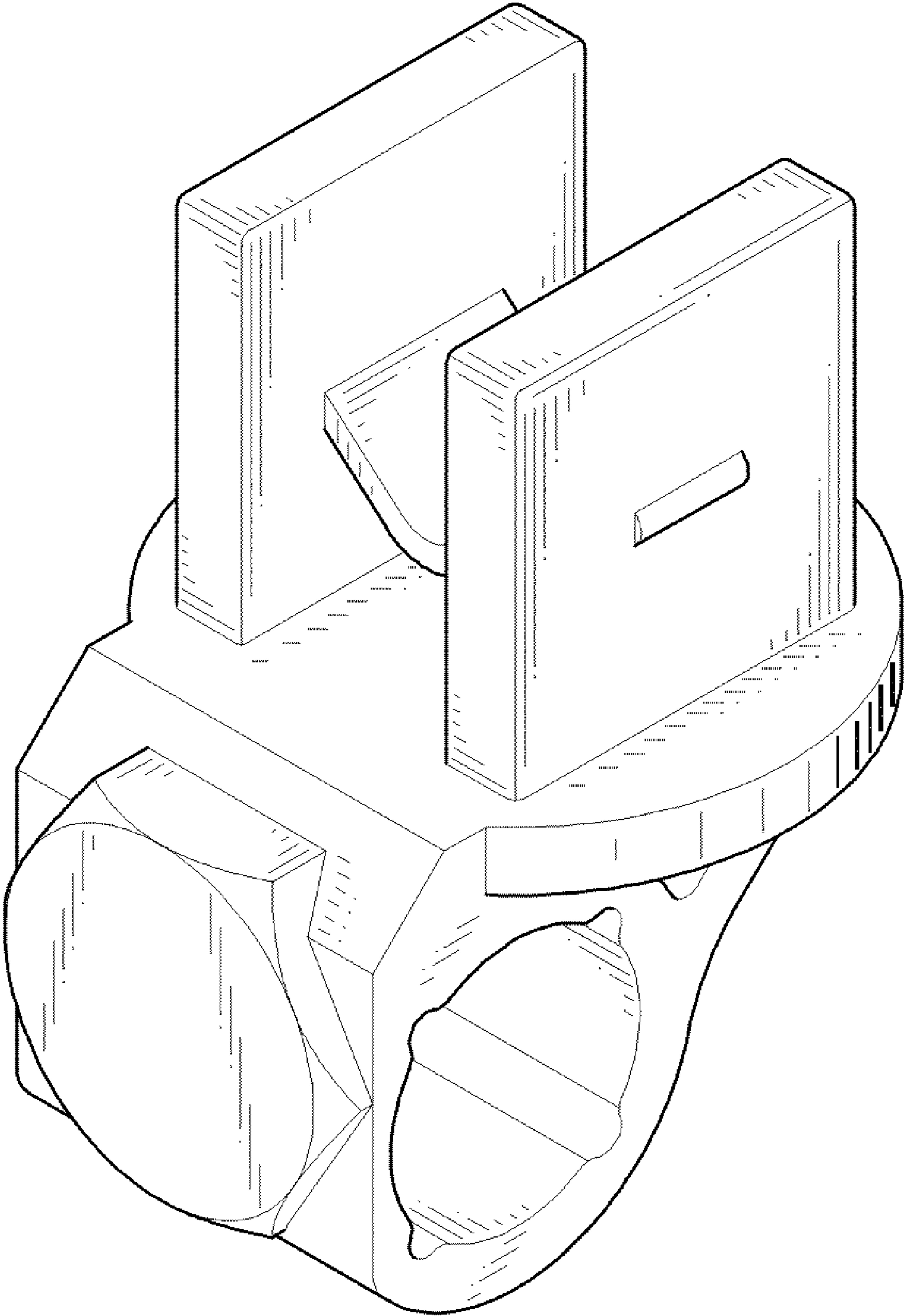


FIG. 1

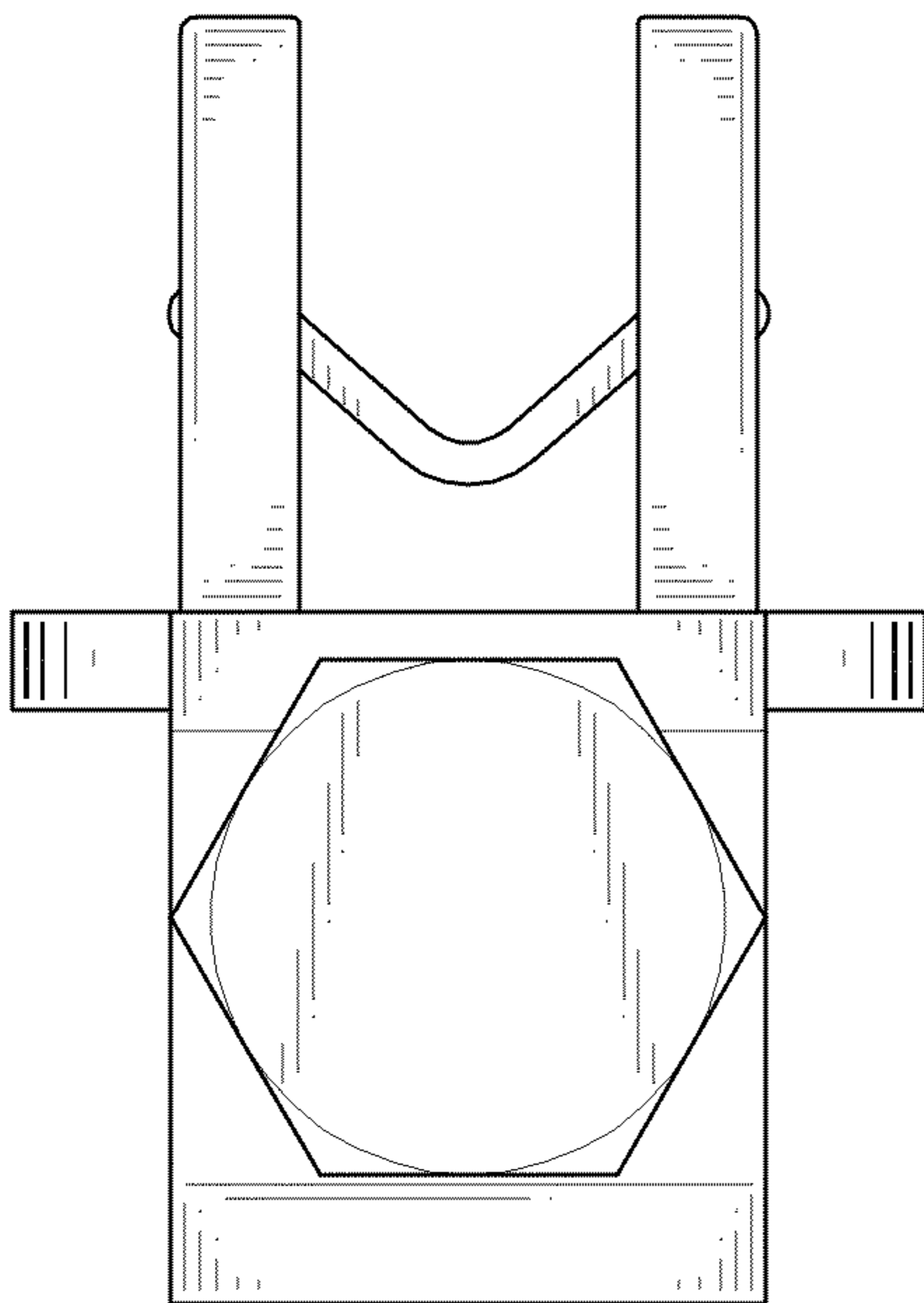


FIG. 2

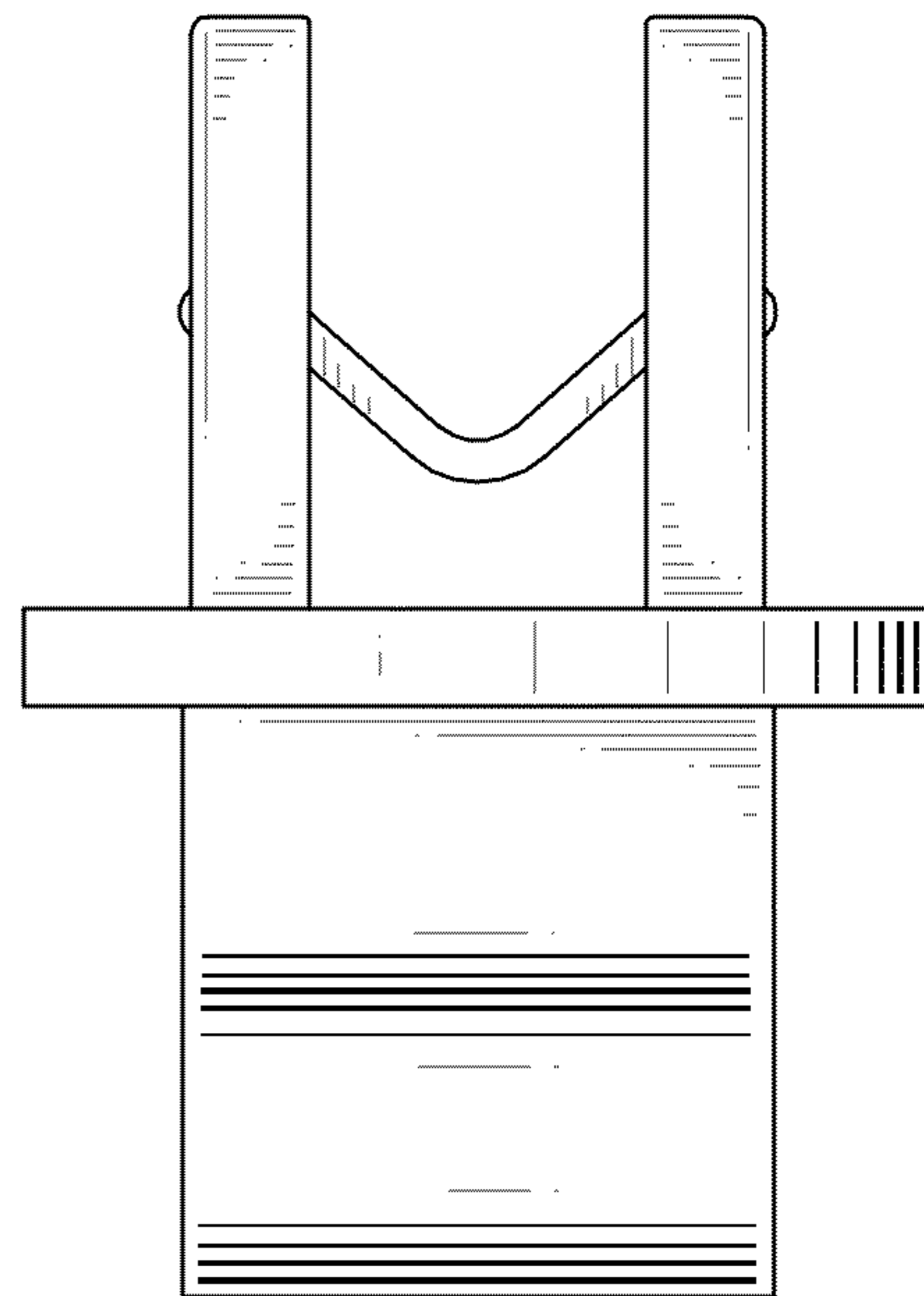


FIG. 3

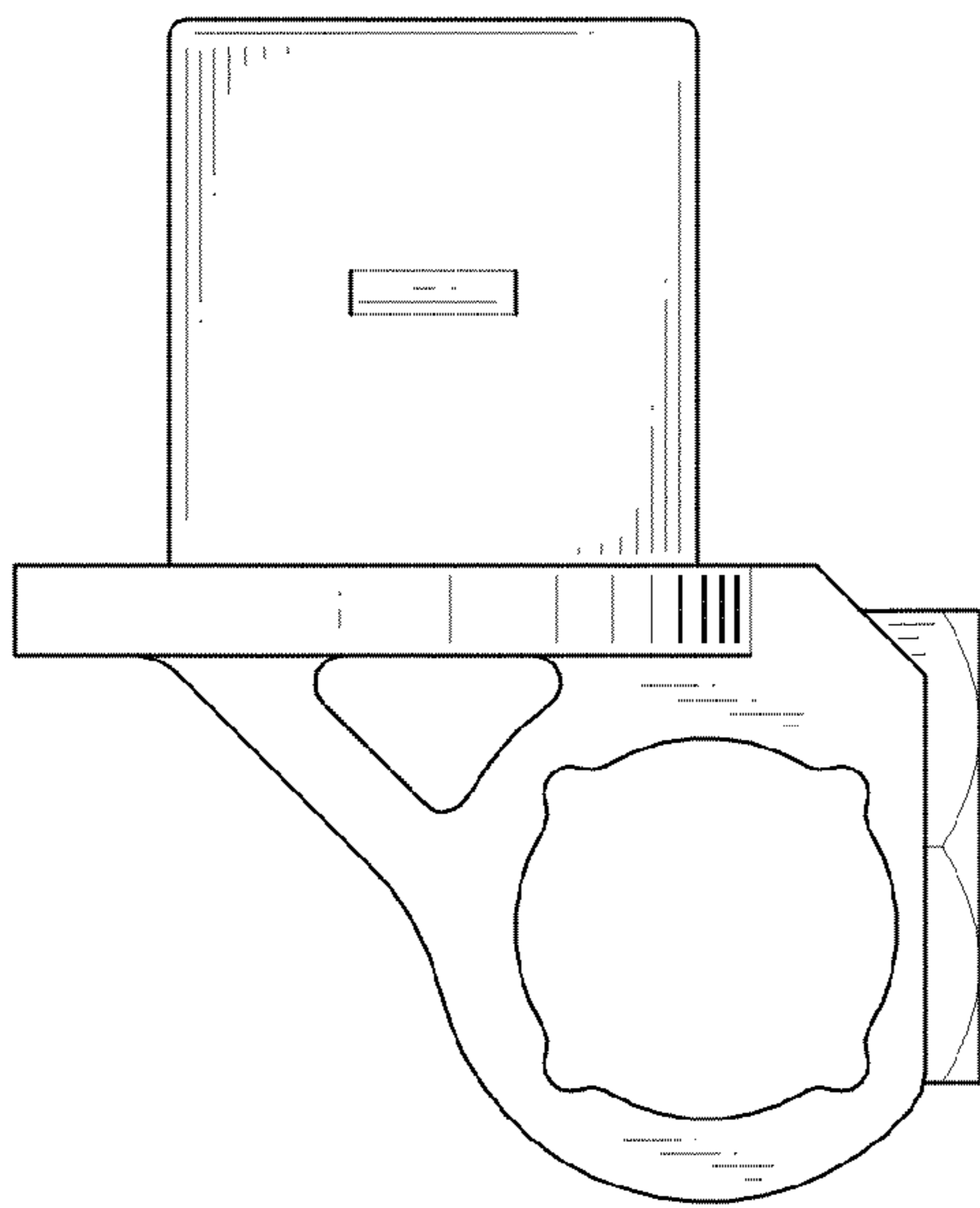


FIG.4

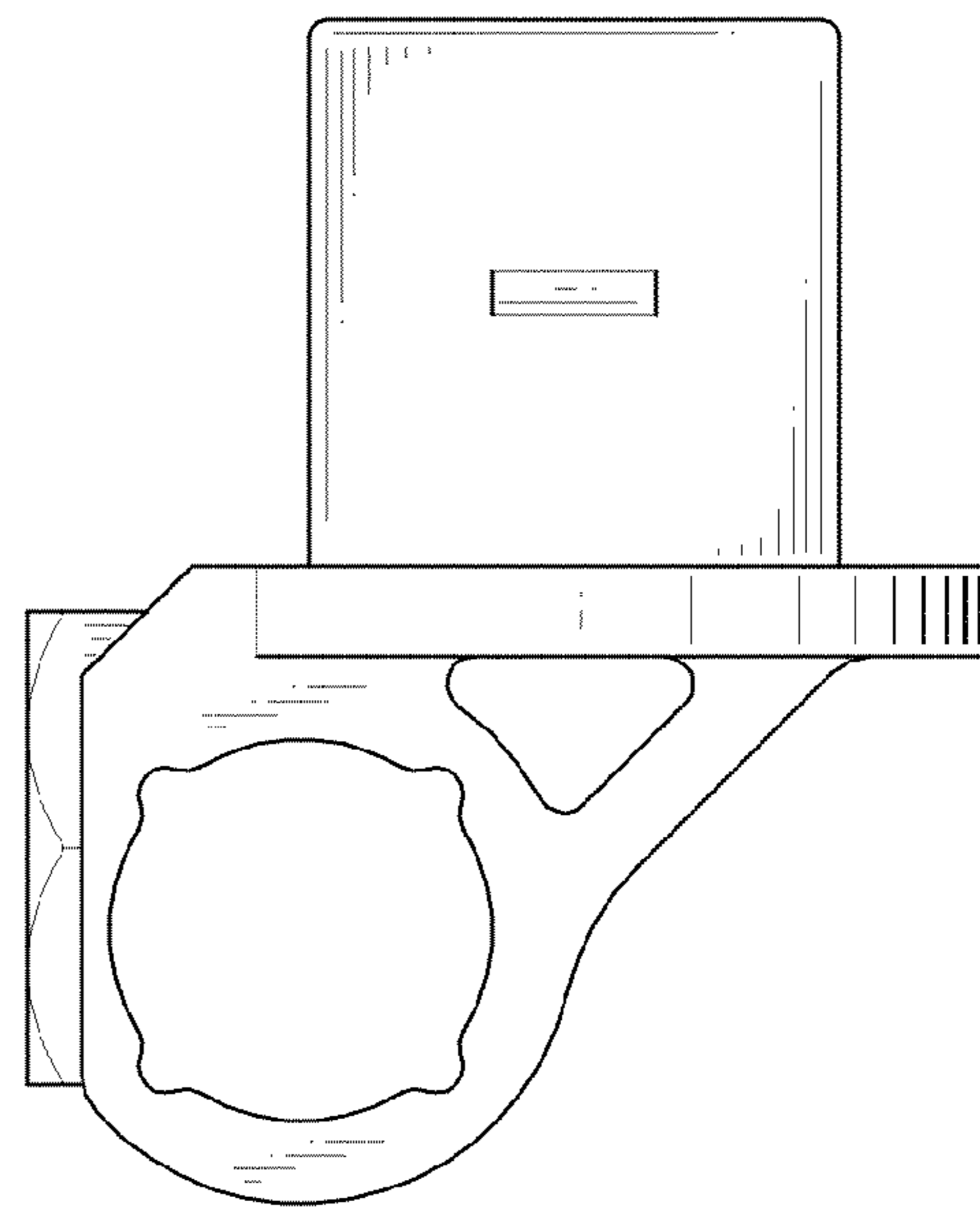


FIG.5

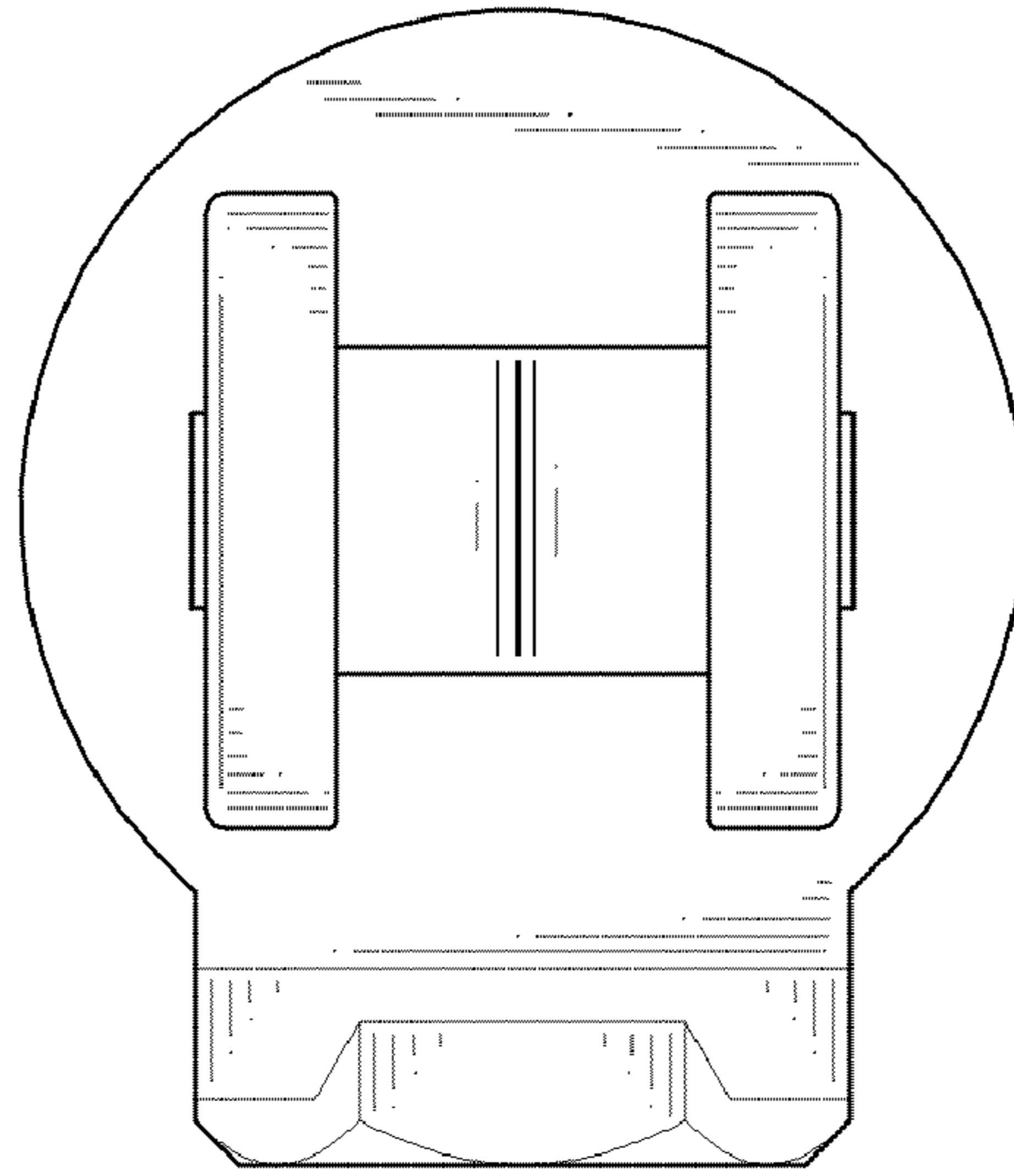


FIG.6

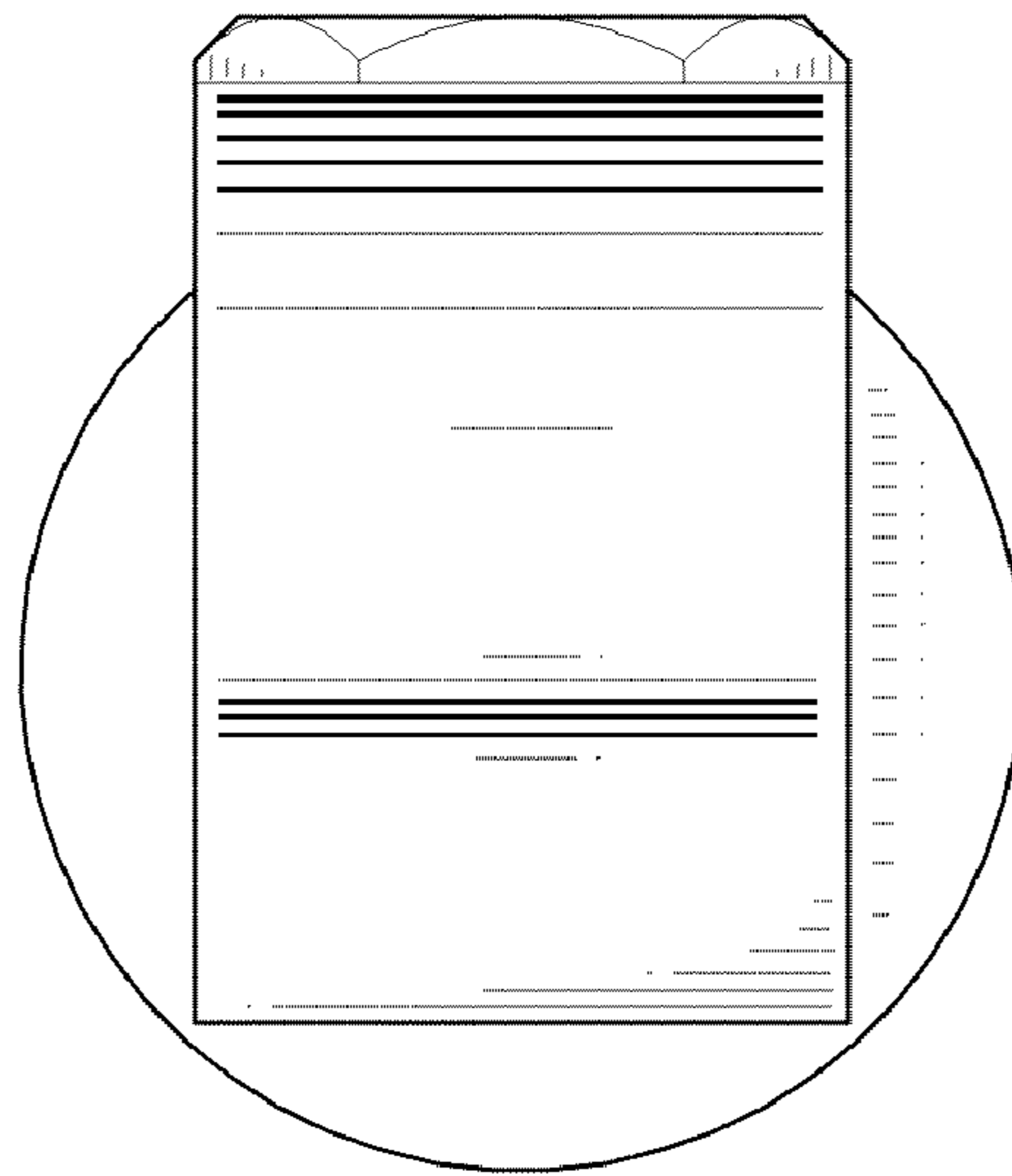


FIG.7

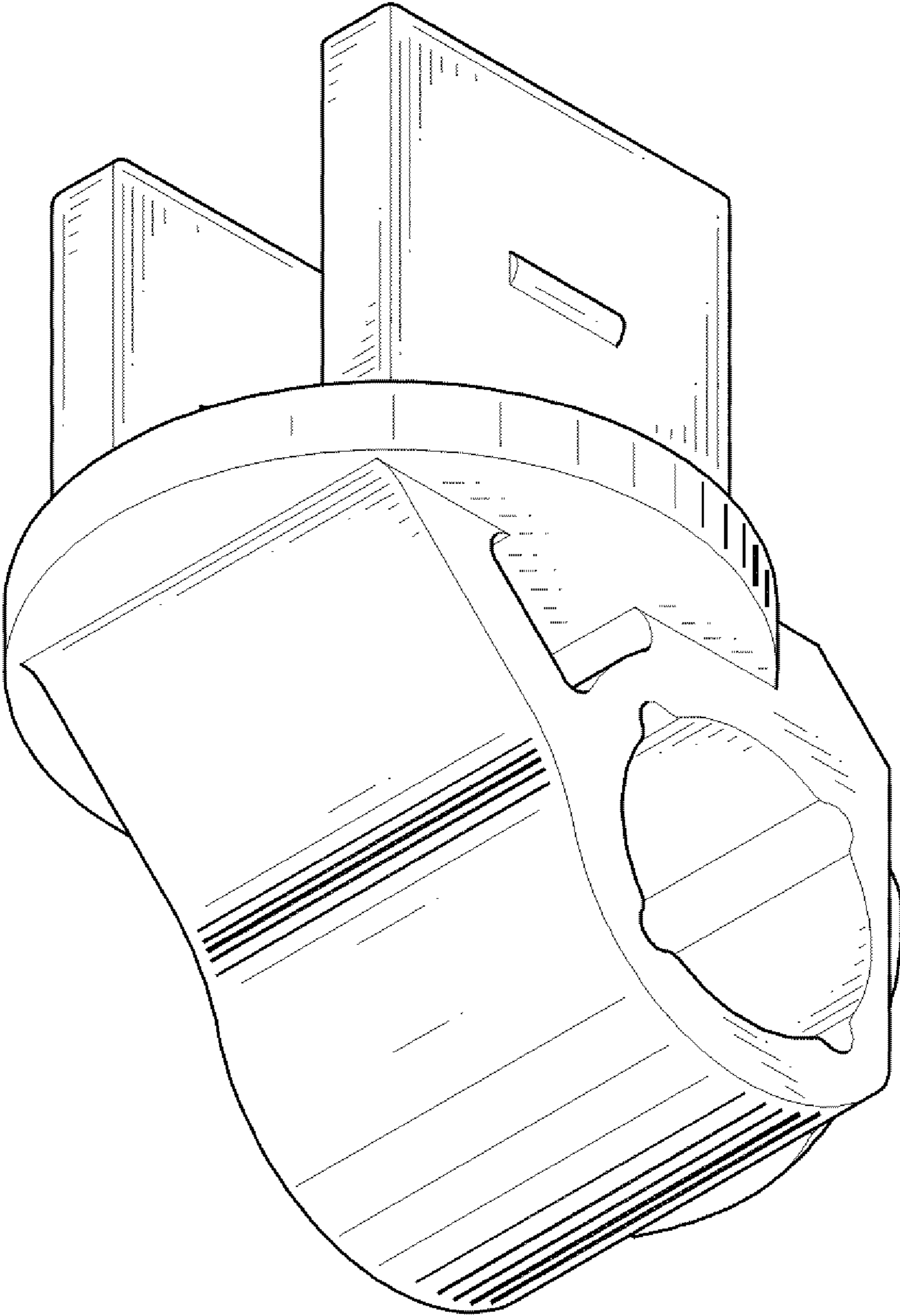


FIG.8