



US00D644914S

(12) **United States Design Patent**
Hoffman et al.

(10) **Patent No.:** **US D644,914 S**

(45) **Date of Patent:** **** *Sep. 13, 2011**

(54) **WALL PLATE FOR ELECTRICAL DEVICES**

(75) Inventors: **Jerry R. Hoffman**, Hickory, NC (US);
Selin Tansi-Glickman, Woodbury, NY (US);
Kent D. Pilcher, Holland, MI (US);
Joel Van Faasen, Holland, MI (US);
Gordon Stannis, Holland, MI (US);
Kenneth J. Orr, West Olive, MI (US)

(73) Assignee: **Leviton Manufacturing Co., Inc.**,
Melville, NY (US)

(**) Term: **14 Years**

(21) Appl. No.: **29/360,546**

(22) Filed: **Apr. 27, 2010**

(51) **LOC (9) Cl.** **11-05**

(52) **U.S. Cl.** **D8/353**

(58) **Field of Classification Search** D8/350-353;
D13/139.1-139.8, 146, 147, 152, 154, 156,
D13/158, 169, 171, 173, 177, 184; D14/159;
D25/60; 174/55, 58, 66, 67, 535; 220/241,
220/3.92, 3.5-3.9, 242, 3.2, 3.3, 244, 315;
439/535, 536, 892, 367, 373, 537, 541, 938;
200/303; 248/273; 292/357

See application file for complete search history.

(56) **References Cited**

U.S. PATENT DOCUMENTS

2,634,016	A *	4/1953	Hagen	220/241
D284,261	S *	6/1986	Sorenson	D8/353
4,631,354	A *	12/1986	Boteler	174/66
D298,733	S *	11/1988	Pool	D8/353
4,835,343	A	5/1989	Graef et al.	
5,041,698	A	8/1991	Takagi et al.	
D327,212	S *	6/1992	Hubben et al.	D8/353
D392,873	S *	3/1998	Scherer et al.	D8/353
5,723,817	A *	3/1998	Arenas et al.	174/66
D430,478	S *	9/2000	De brey et al.	D8/353

(Continued)

OTHER PUBLICATIONS

Cheetah, "Product Catalog," Jul. 2006, 20 pages.

Primary Examiner — Mark Goodwin

(74) *Attorney, Agent, or Firm* — Marger Johnson & McCollom PC

(57) **CLAIM**

The ornamental design for a wall plate for an electrical device, as shown and described.

DESCRIPTION

A portion of the disclosure of this patent document contains material which is subject to copyright protection. The copyright owner has no objection to the facsimile reproduction by anyone of the patent disclosure, as it appears in the Patent and Trademark Office patent files or records, but otherwise reserves all copyright rights whatsoever.

FIG. 1 is a perspective view of a first embodiment for a wall plate for an electrical device showing our new design;

FIG. 2 is a top plan view thereof;

FIG. 3 is a front elevation view thereof.

FIG. 4 is a right side elevation view thereof;

FIG. 5 is a bottom plan view thereof.

FIG. 6 is a perspective view of a second embodiment for a wall plate for an electrical device showing our new design;

FIG. 7 is a top plan view thereof;

FIG. 8 is a front elevation view thereof.

FIG. 9 is a right side elevation view thereof;

FIG. 10 is a bottom plan view thereof.

FIG. 11 is a perspective view of a third embodiment for a wall plate for an electrical device showing our new design, the wavy broken line indicative of indeterminate length forming no part of the claimed design;

FIG. 12 is a top plan view thereof;

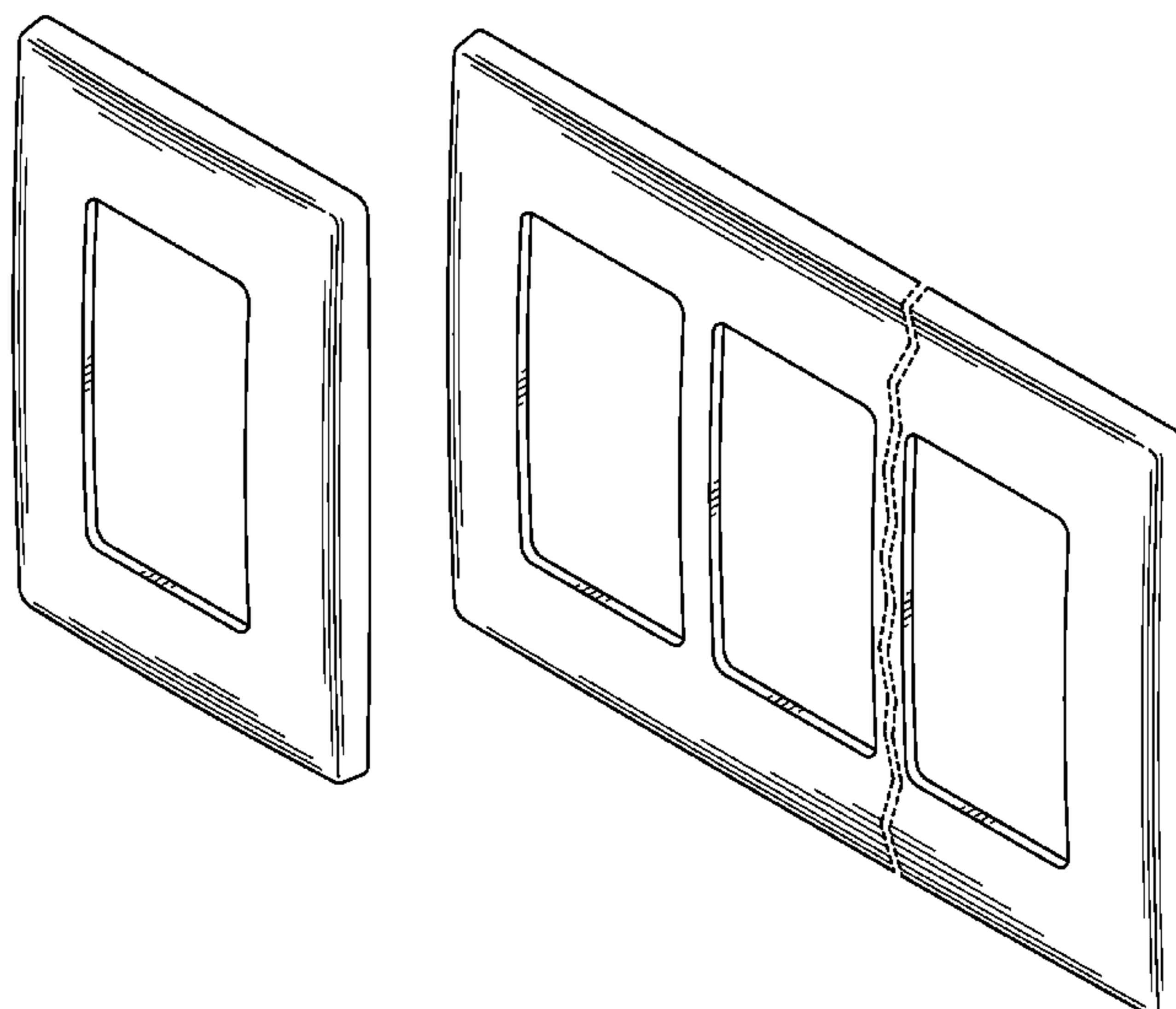
FIG. 13 is a front elevation view thereof.

FIG. 14 is a right side elevation view thereof; and,

FIG. 15 is a bottom plan view thereof.

The dashed lines in the figures illustrate environment only and form no part of the claimed design.

1 Claim, 6 Drawing Sheets



US D644,914 S

Page 2

U.S. PATENT DOCUMENTS

6,376,770	B1	4/2002	Hyde	
D493,695	S *	8/2004	Wengrower	D8/353
D508,198	S *	8/2005	Holger	D8/353
D511,675	S *	11/2005	Holger	D8/353
6,974,910	B2	12/2005	Rohmer	
7,071,414	B2 *	7/2006	Kim	174/66
7,075,009	B1 *	7/2006	Rohmer	174/66
7,122,754	B2	10/2006	Endres et al.	
7,126,070	B2	10/2006	Endres et al.	
7,176,380	B2	2/2007	Tufano et al.	
D540,654	S *	4/2007	Aubert Capella	D8/353
D541,137	S *	4/2007	Fabrizi	D8/353
D542,627	S *	5/2007	Rohmer et al.	D8/353
7,230,183	B2	6/2007	Oddsens et al.	
7,244,891	B2	7/2007	Schmieta et al.	
7,247,792	B2	7/2007	Tufano et al.	
7,250,580	B2 *	7/2007	Kurek et al.	200/339
D550,076	S *	9/2007	Ni	D8/353
7,265,308	B2	9/2007	Endres et al.	
7,279,636	B2	10/2007	Oddsens et al.	
7,282,642	B2	10/2007	Schmieta et al.	
7,285,723	B2	10/2007	Lindenstrauss et al.	
7,294,782	B2	11/2007	Lindenstrauss et al.	
D562,780	S *	2/2008	Egea Soler	D13/177
D577,985	S	10/2008	Kidman	
7,435,903	B2 *	10/2008	Tufano et al.	174/66
7,456,358	B2 *	11/2008	Swiencicki et al.	174/66
D596,925	S *	7/2009	Kidman	D8/353

* cited by examiner

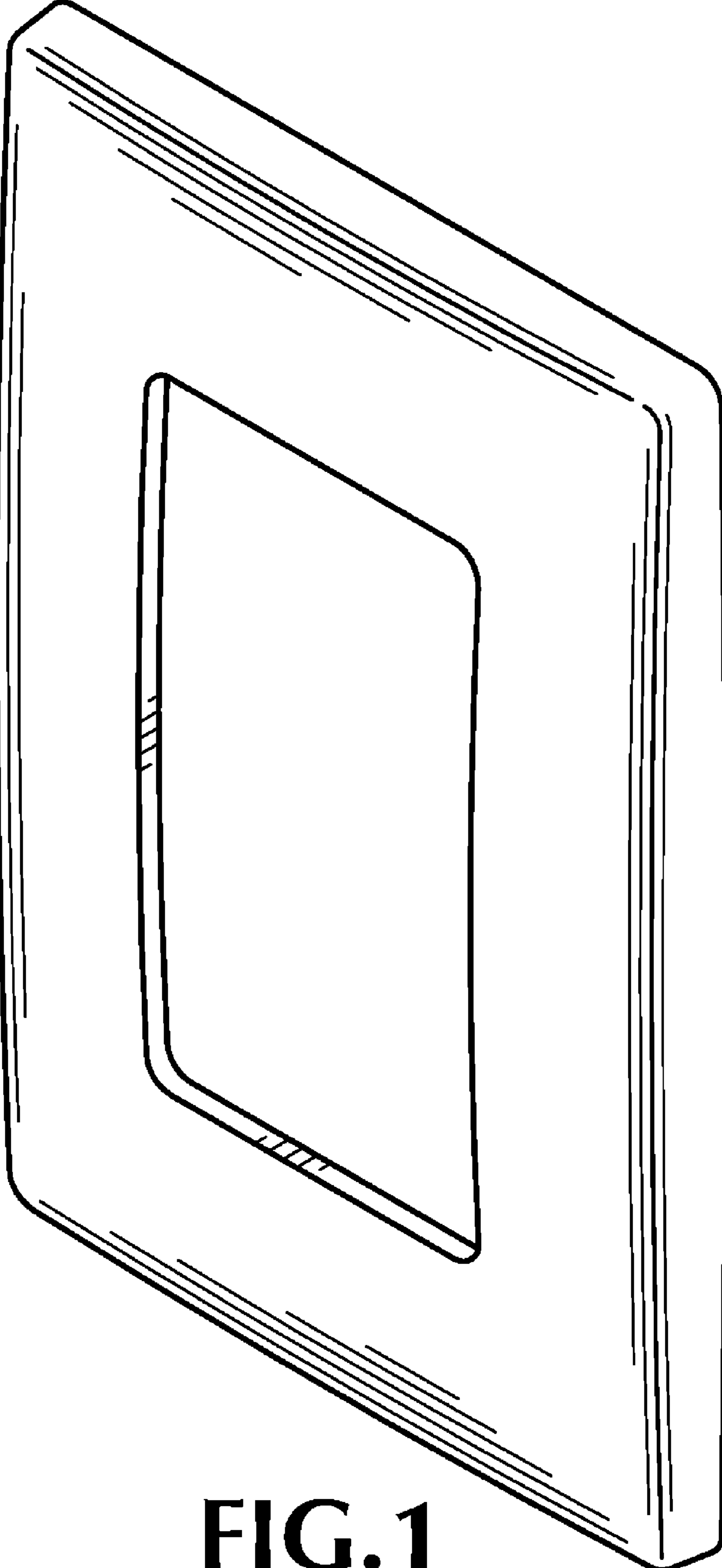


FIG. 1

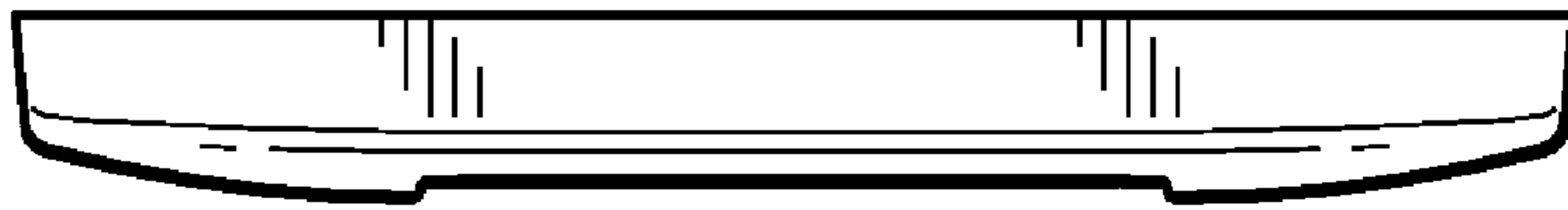


FIG. 2

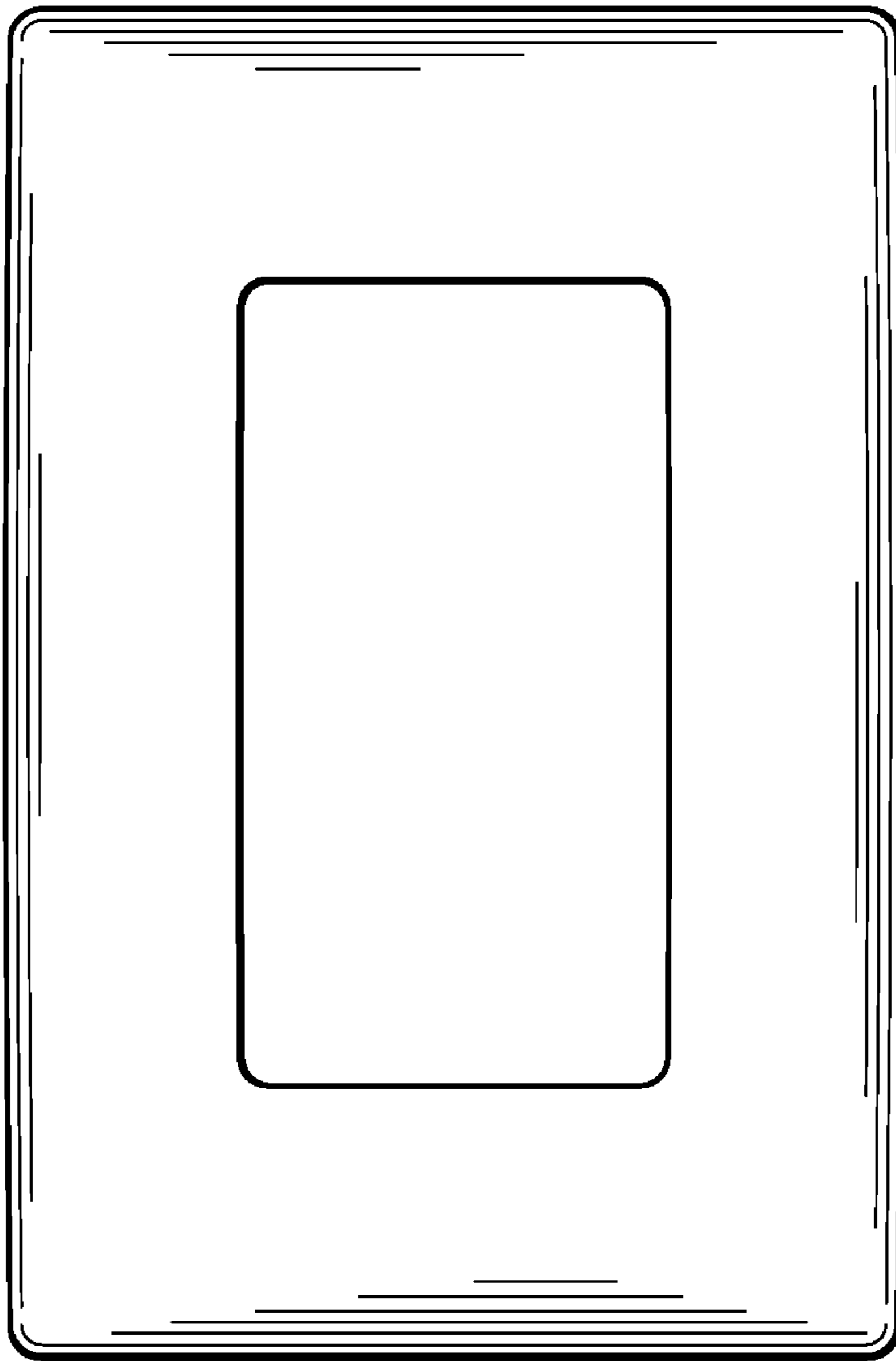


FIG. 3



FIG. 4

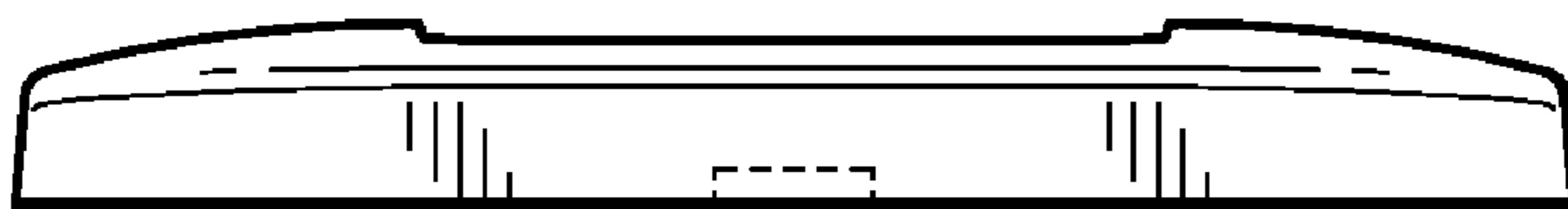


FIG. 5

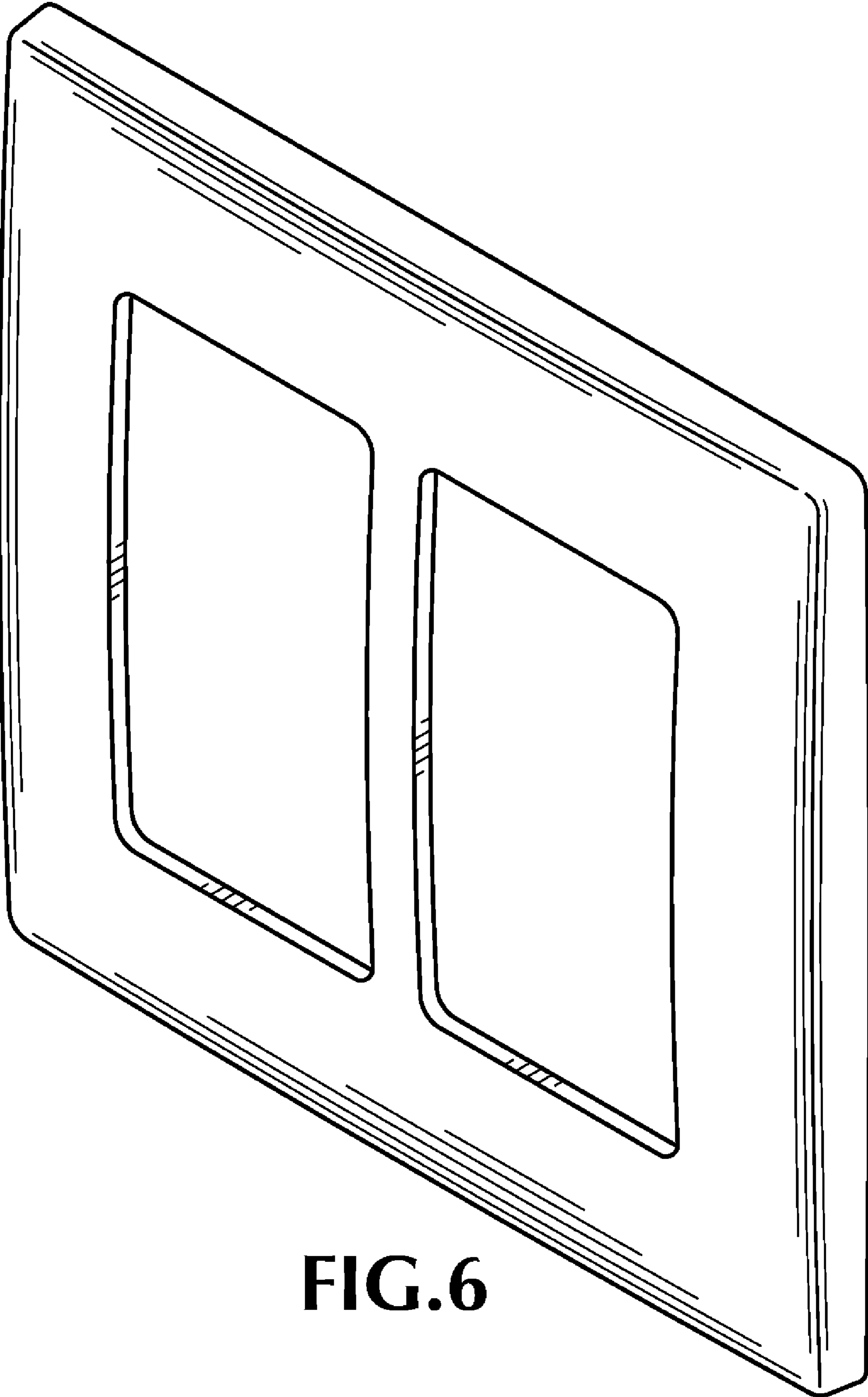


FIG.6



FIG. 7

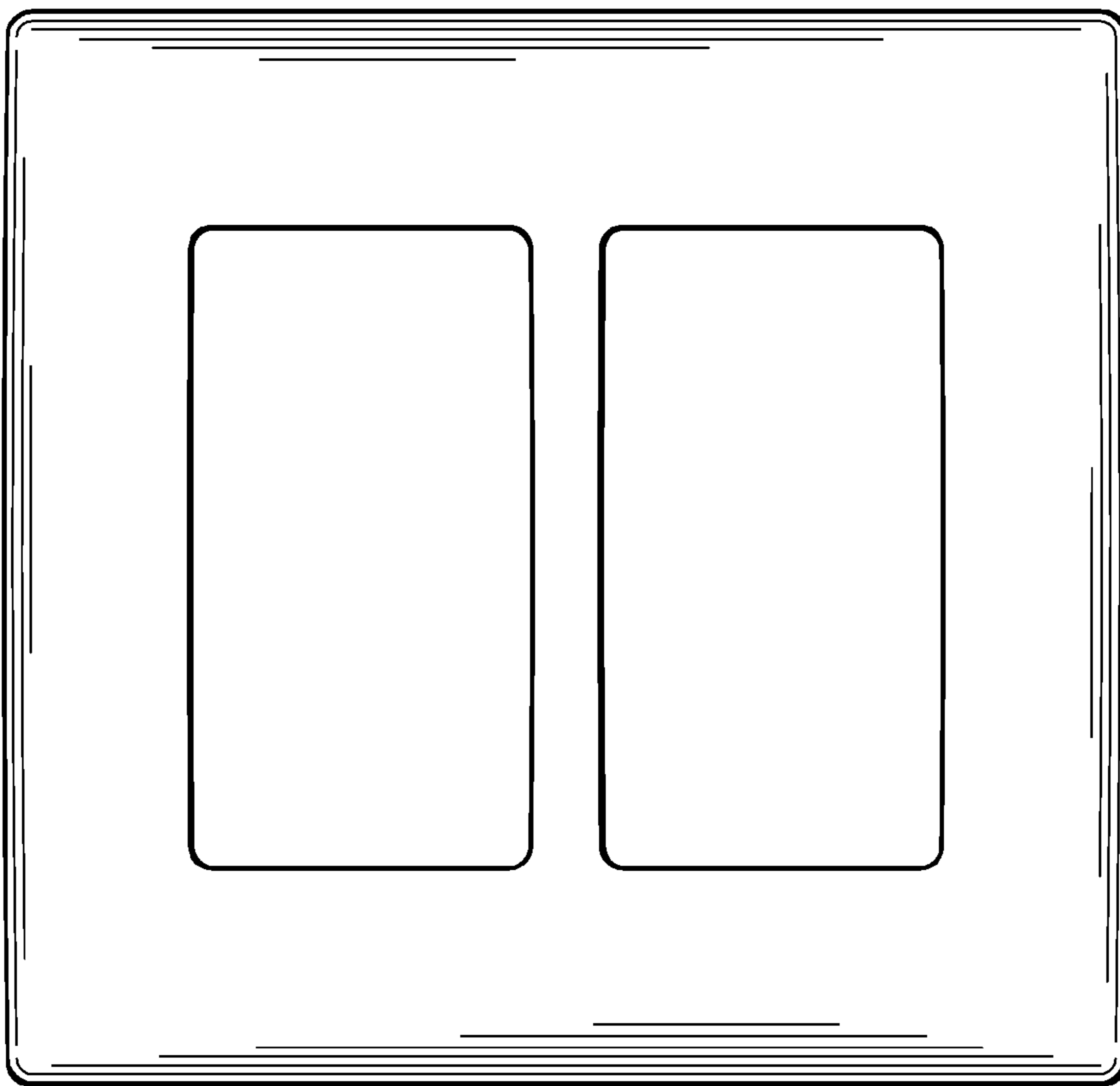


FIG. 8

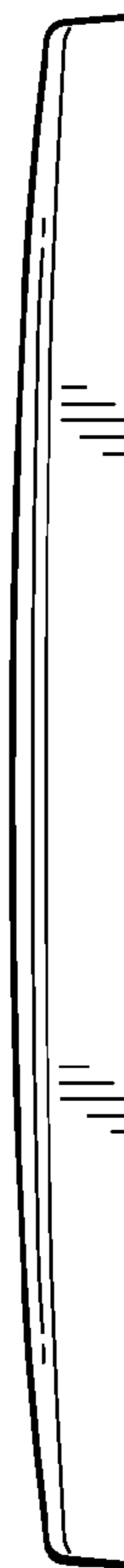


FIG. 9



FIG. 10

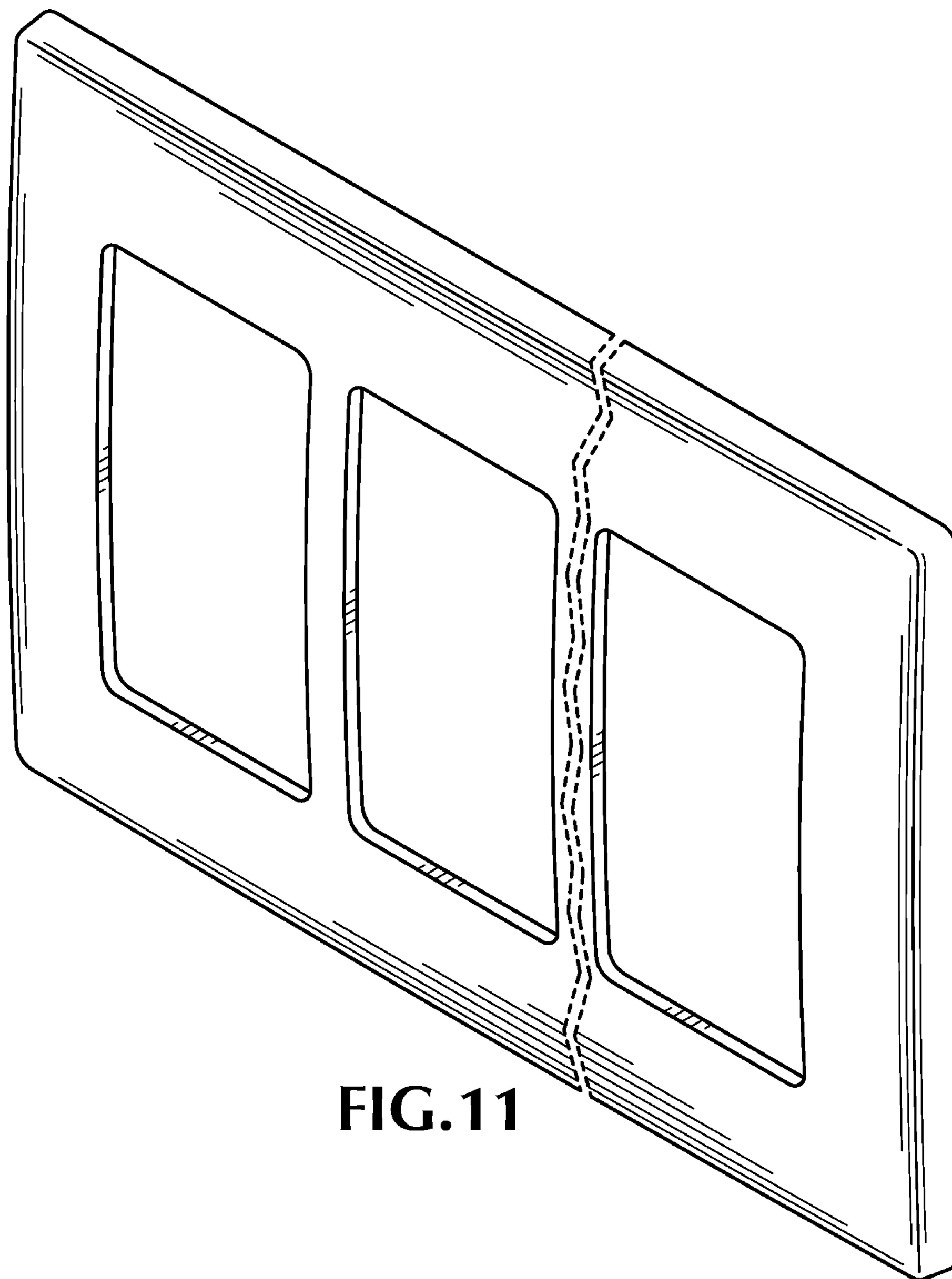


FIG. 11

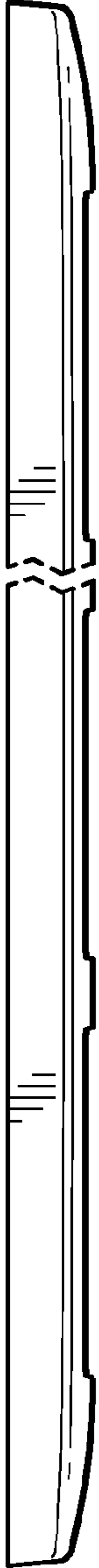


FIG. 12

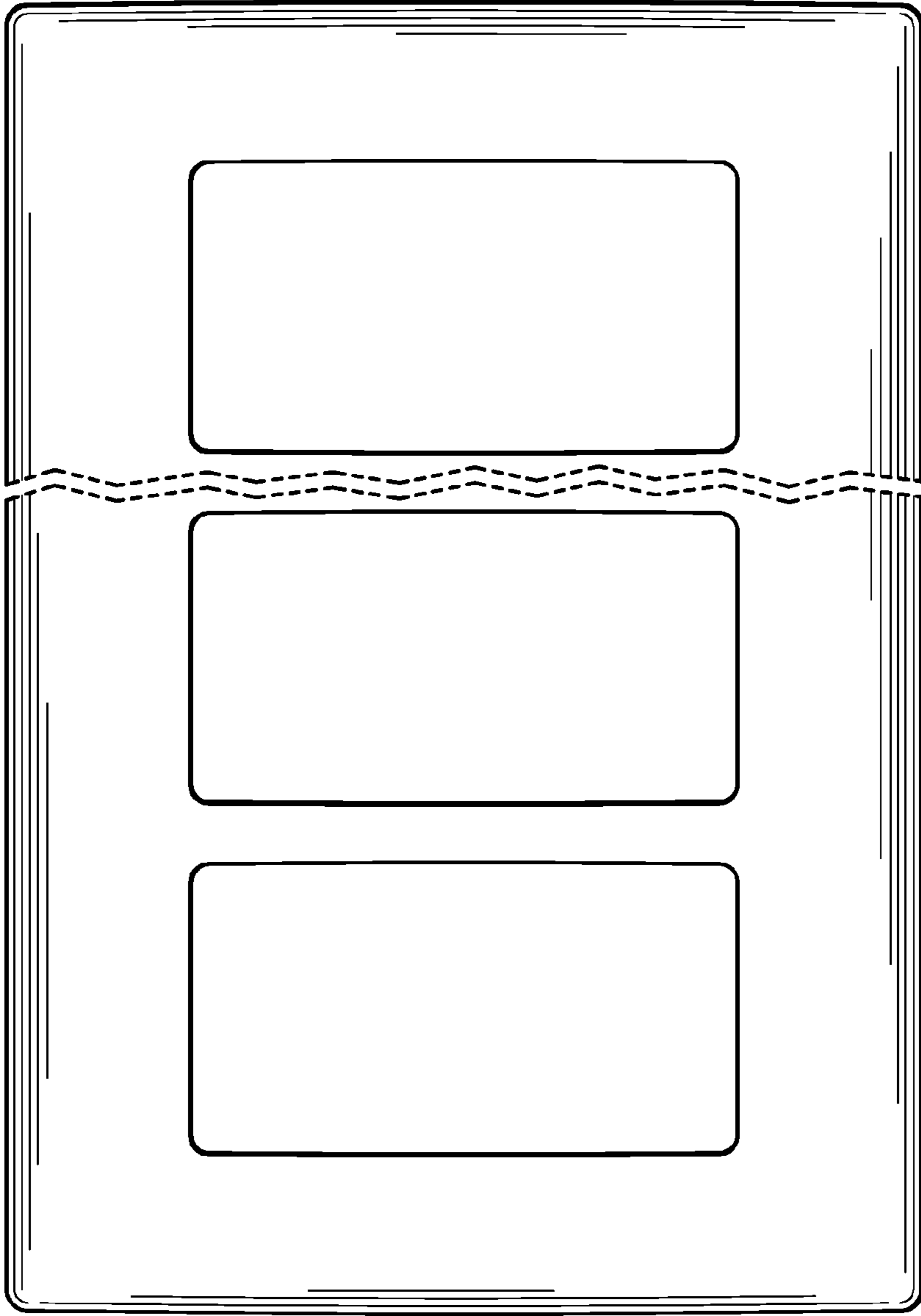


FIG. 13

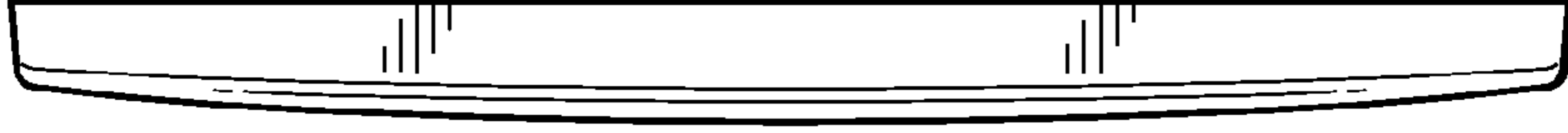


FIG. 14

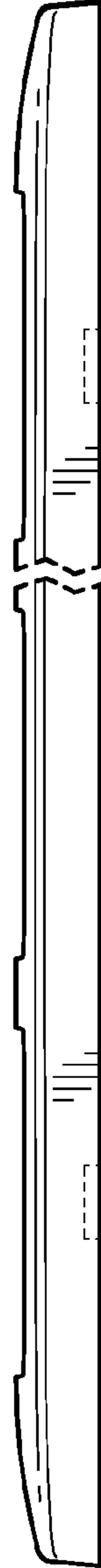


FIG. 15