



US00D644912S

(12) **United States Design Patent**
Benold

(10) **Patent No.:** **US D644,912 S**
(45) **Date of Patent:** **** Sep. 13, 2011**

(54) **KNOB FOR A COOKING APPLIANCE**

(75) Inventor: **Frank Benold**, Porcia (IT)

(73) Assignee: **Electrolux Home Products Corporation N.V.** (BE)

(**) Term: **14 Years**

(21) Appl. No.: **29/367,965**

(22) Filed: **Aug. 16, 2010**

(30) **Foreign Application Priority Data**

Feb. 15, 2010 (EM) 001670019-0005

(51) **LOC (9) Cl.** **08-06**

(52) **U.S. Cl.** **D8/311**

(58) **Field of Classification Search** D8/300–303,
D8/305–312, 321, DIG. 2; D7/402, 405,
D7/393; 74/553, 548, 558.5; 116/309, 315,
116/311, 312, 319, 320; 200/316, 336; 345/156;
16/441, 110 R, 114 R, 121, 118, 414
See application file for complete search history.

(56) **References Cited**

U.S. PATENT DOCUMENTS

1,884,133	A	10/1932	Nero	
D93,773	S *	11/1934	Krieger	D8/312
D146,327	S	12/1945	Trombley	
2,537,782	A	2/1948	Meyers	
D162,734	S *	4/1951	Hitchcock	D8/311
D198,028	S	4/1964	Collins, Jr.	
D203,991	S	3/1966	Rosen	
D208,918	S	10/1967	Dole et al.	
D225,204	S	11/1972	Kendrick	
D233,507	S	11/1974	Stevens, Jr.	
D258,819	S *	4/1981	Matsuda	D14/265
D365,743	S *	1/1996	Decursu et al.	D8/312
D400,778	S	11/1998	Holbrook, Jr.	
D443,496	S	6/2001	DeCosse	

D450,997	S	11/2001	Brady	
D467,489	S *	12/2002	Rubinson	D8/310
D472,448	S	4/2003	Fields	
D493,090	S	7/2004	Chen et al.	
D498,657	S	11/2004	Milrud et al.	
D504,300	S	4/2005	Chen et al.	
D510,515	S	10/2005	Miller	
D511,669	S	11/2005	Miller	
D516,407	S	3/2006	Grutzke et al.	
D520,857	S *	5/2006	Bertani	D8/312
D521,314	S	5/2006	Ball	
D521,801	S	5/2006	Huxhold et al.	
D525,517	S *	7/2006	Baldwin	D8/310
D525,518	S	7/2006	Baldwin	
D530,185	S	10/2006	Osiecki et al.	
7,171,727	B2	2/2007	Wylie et al.	
D567,060	S	4/2008	Busalt et al.	
D573,000	S	7/2008	Martin et al.	
D577,983	S	10/2008	Martin et al.	
D619,873	S *	7/2010	Bhattacharya	D8/311
D619,874	S *	7/2010	Bhattacharya	D8/311
D620,778	S *	8/2010	Bixby et al.	D8/311
2004/0107545	A1	6/2004	Worrell	

* cited by examiner

Primary Examiner — Mark Goodwin

(74) *Attorney, Agent, or Firm* — Banner & Witcoff, Ltd.

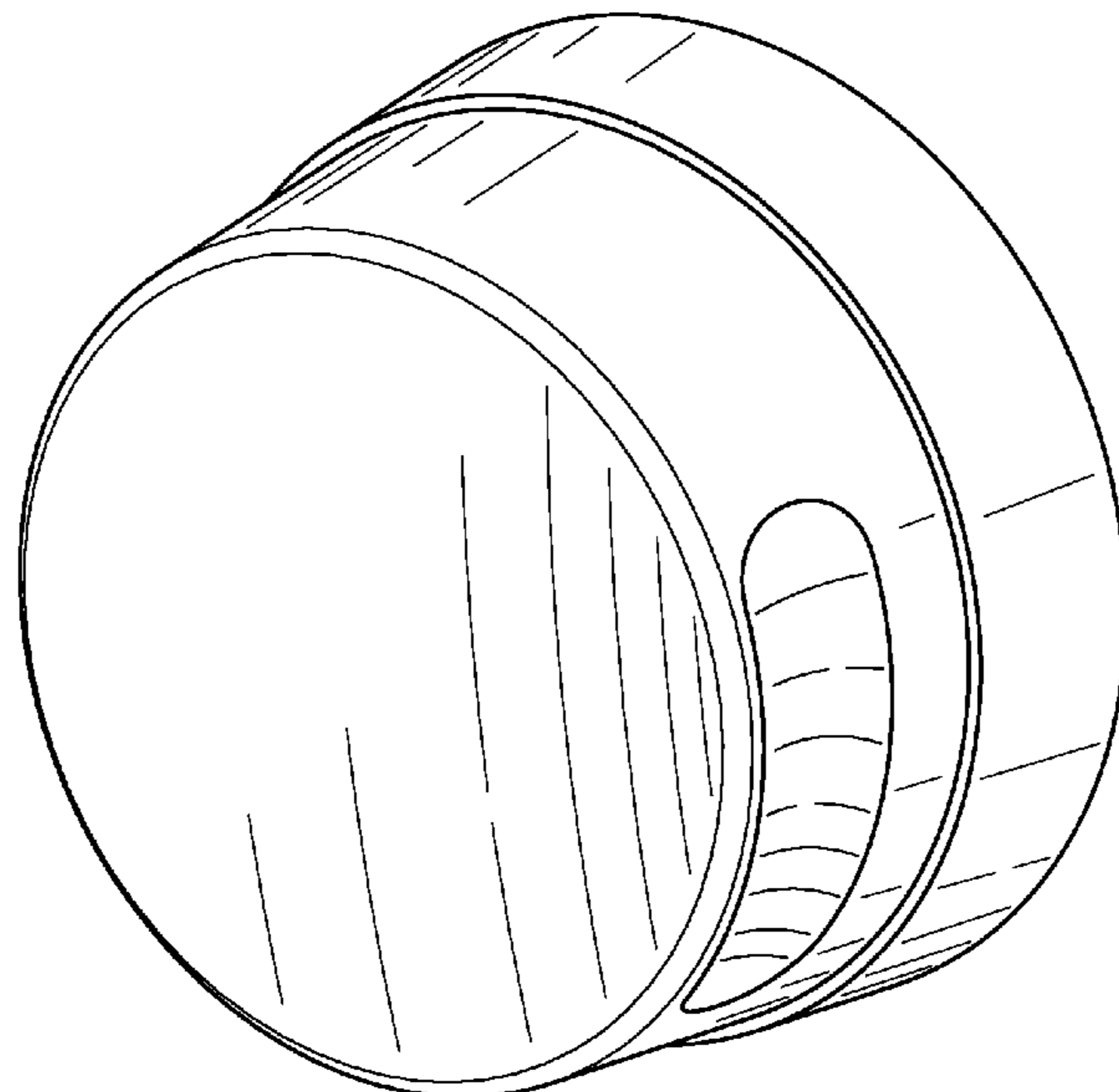
(57) **CLAIM**

The ornamental design for a knob for a cooking appliance, as shown and described.

DESCRIPTION

FIG. 1 is a perspective view of a knob for a cooking appliance showing my new design;
FIG. 2 is a front view thereof;
FIG. 3 is a right side view thereof;
FIG. 4 is a left side view thereof;
FIG. 5 is a top view thereof; and,
FIG. 6 is a bottom view thereof.

1 Claim, 6 Drawing Sheets



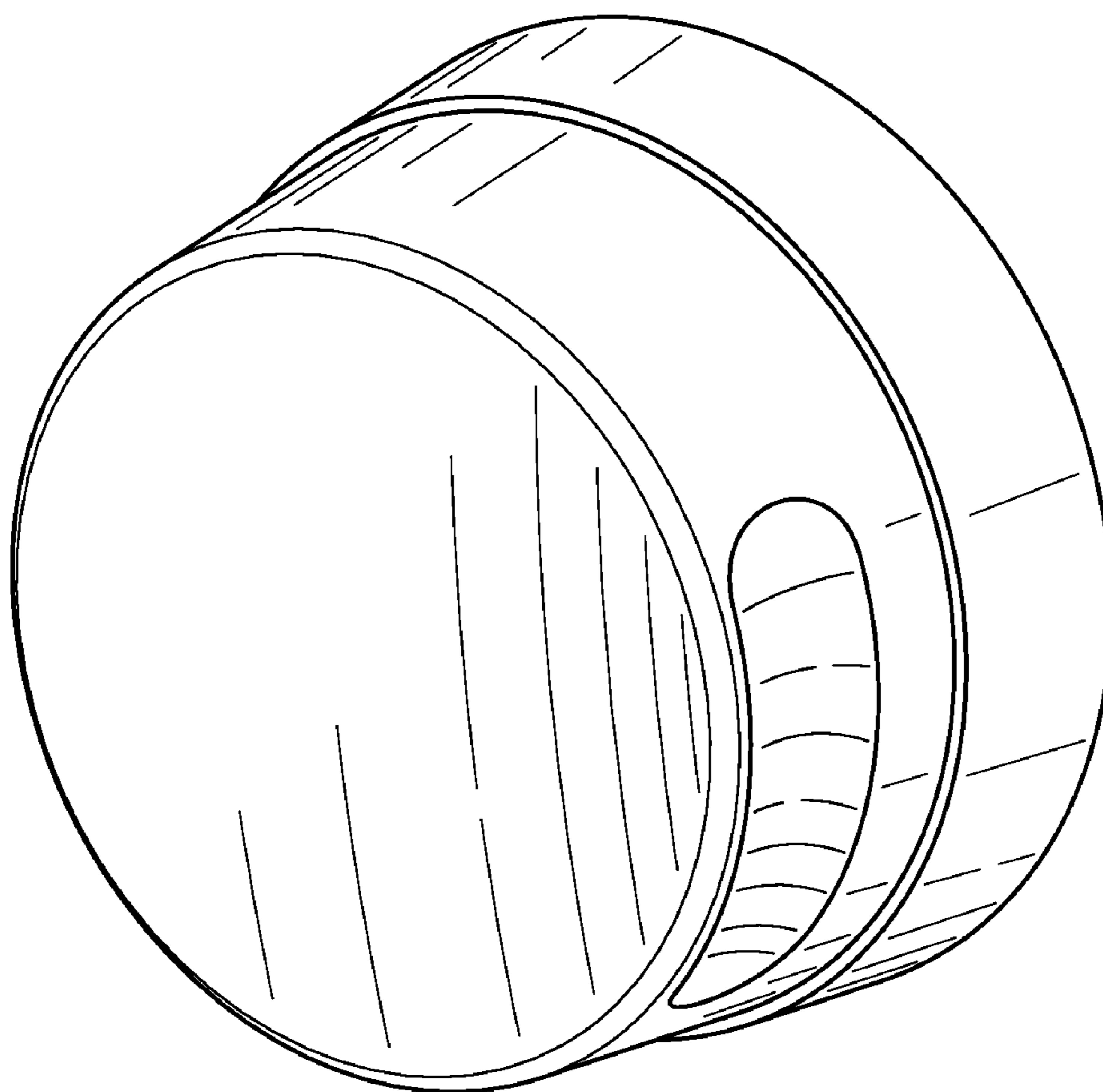


FIG. 1

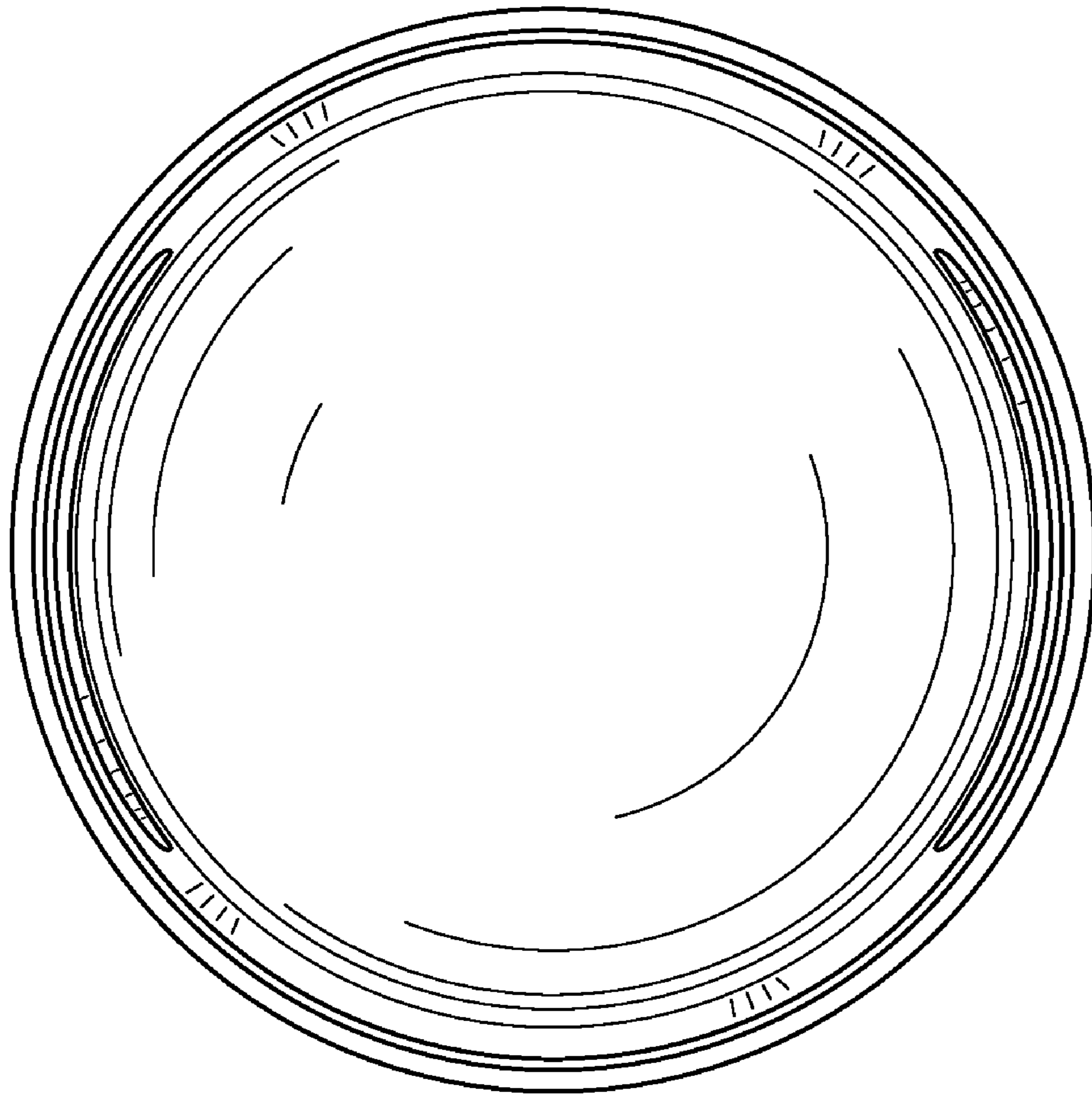


FIG. 2

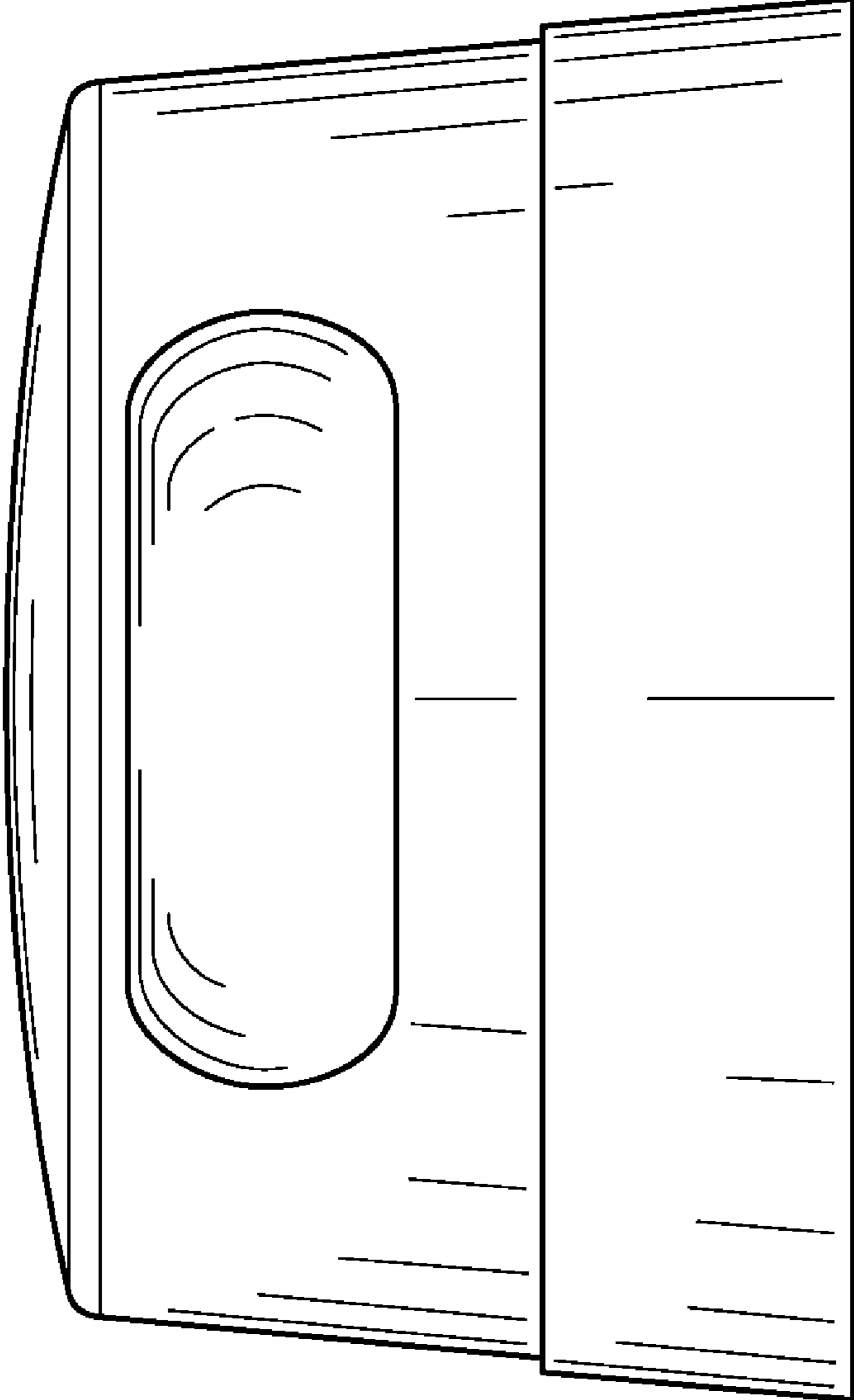


FIG. 3

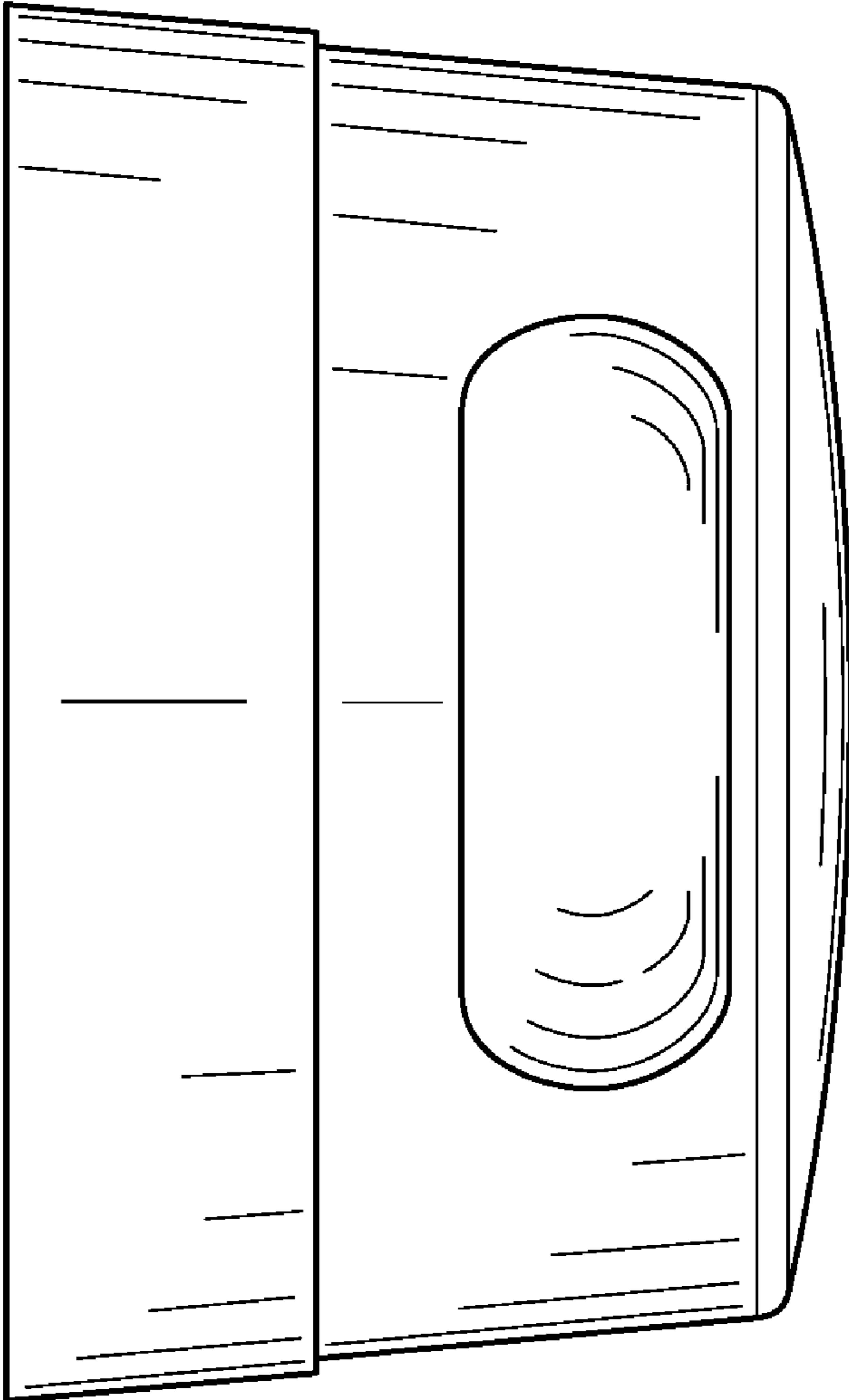


FIG. 4

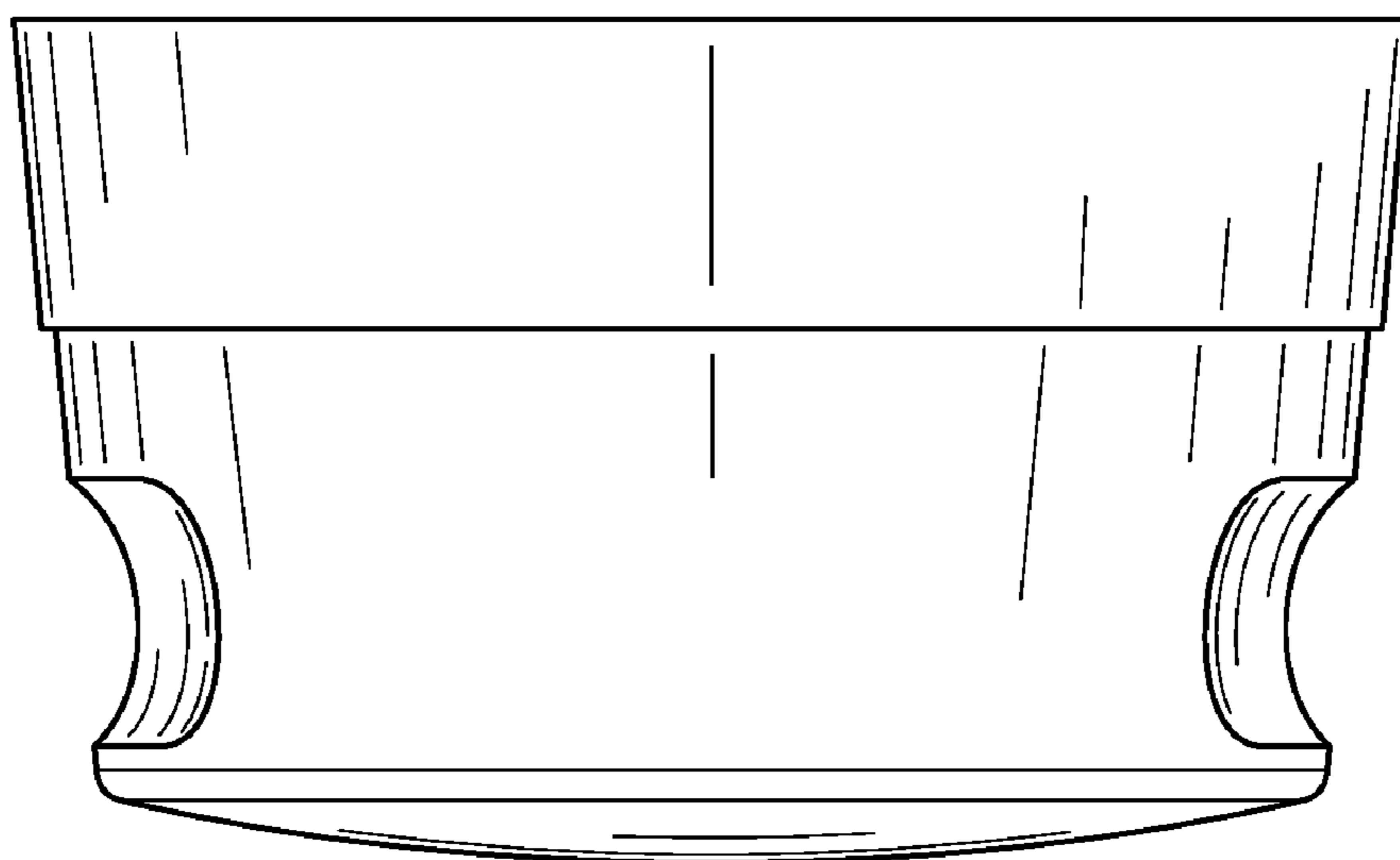


FIG. 5

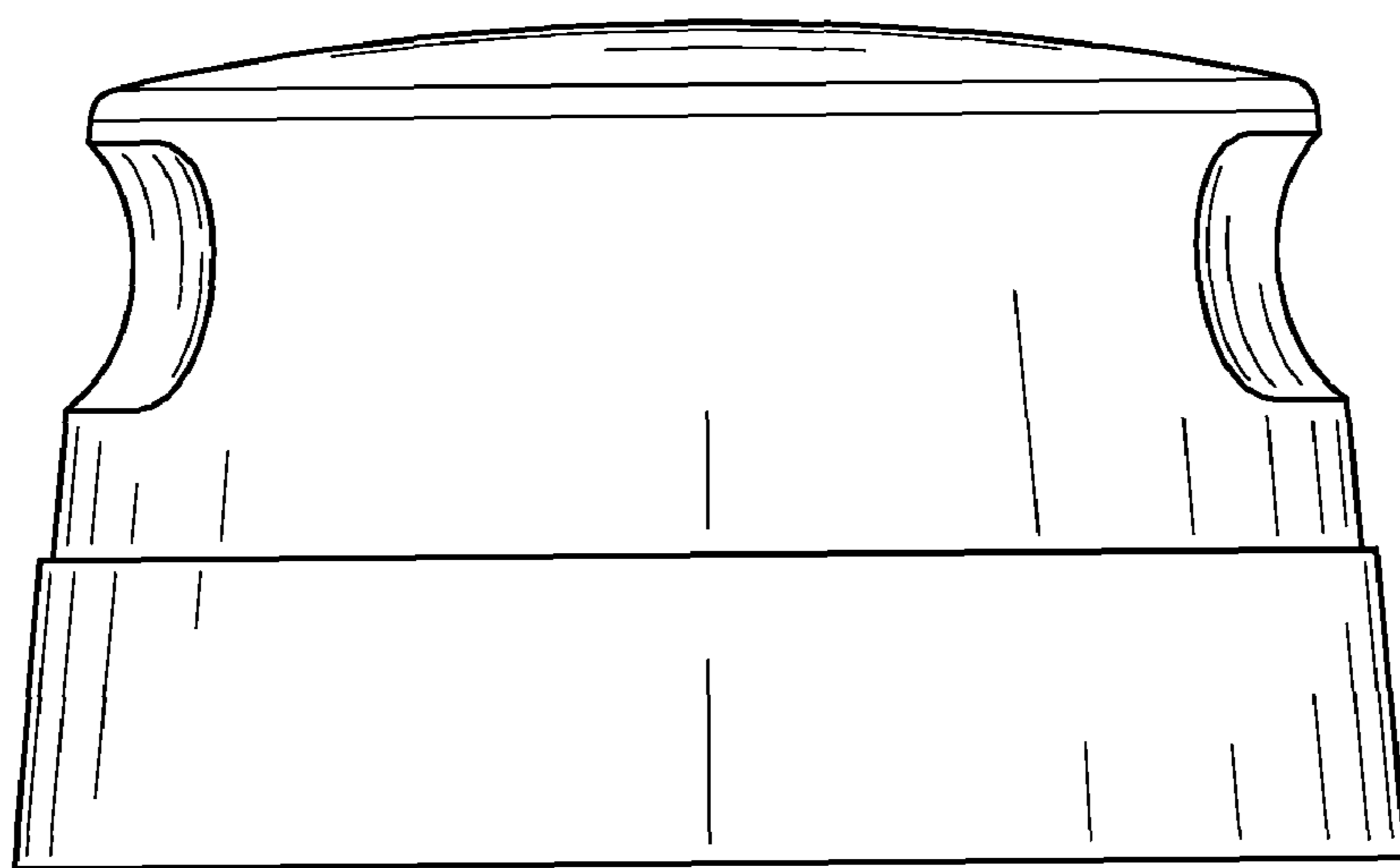


FIG. 6