



US00D644906S

(12) **United States Design Patent**
Demers et al.

(10) **Patent No.:** **US D644,906 S**
(45) **Date of Patent:** **** Sep. 13, 2011**

(54) **TOOL HOUSING**

(75) Inventors: **Brian Joseph Demers**, Huntersville, NC (US); **Joseph Allen Berlepsch**, Mooresville, NC (US)

(73) Assignee: **Lowe's Companies, Inc.**, Mooresville, NC (US)

(**) Term: **14 Years**

(21) Appl. No.: **29/357,512**

(22) Filed: **Mar. 12, 2010**

Related U.S. Application Data

(62) Division of application No. 29/318,755, filed on May 27, 2008, now Pat. No. Des. 615,381, which is a division of application No. 29/249,389, filed on Oct. 4, 2006, now Pat. No. Des. 572,558.

(51) **LOC (9) Cl.** **08-05**

(52) **U.S. Cl.** **D8/107; D10/72**

(58) **Field of Classification Search** D8/20-29, D8/55, 61, 93, 98-100, 102-107, 300, 301, D8/303, 307, 310, 312, 319-320, 376-378, D8/400-499; D4/132-138; D7/393, 395, D7/401.1, 401.2, 649, 695; D22/104, 118, D22/207; D24/207; D6/524; D26/154; D9/443; 15/143.1, 159.1, 160, 168, 175, 15/194.1, 192; 81/177.1-177.9, 489, 3.2, 81/436, 439-440, 60-63.2, 477, 479, 52; 16/427, 422, 436, 110.1, 421, 430-431, 429, 16/441, 124.6, 414, 417, DIG. 12, DIG. 18, 16/DIG. 19; 73/862.23; 30/164.5, 151-162; 211/87.01; 428/28; D10/72

See application file for complete search history.

(56) **References Cited**

U.S. PATENT DOCUMENTS

D41,494 S 6/1911 Seeley
D151,860 S 11/1948 Stoyer

D152,155 S 12/1948 Jacoff
D218,009 S 7/1970 Bosack
D233,507 S 11/1974 Stevens
D246,691 S 12/1977 Takahashi
D271,843 S 12/1983 Ferdinand et al.
D282,236 S 1/1986 Shohoji et al.
D288,769 S 3/1987 Doman
D288,770 S 3/1987 Doman
D301,967 S 7/1989 Sakamoto et al.
D316,020 S 4/1991 Fushiya et al.
D324,411 S 3/1992 Jolibois
D325,506 S 4/1992 Michas et al.
D328,559 S 8/1992 Wilson

(Continued)

FOREIGN PATENT DOCUMENTS

EM 000702089-000002 6/2007

(Continued)

Primary Examiner — Cathron Brooks

Assistant Examiner — Barbara Fox

(74) *Attorney, Agent, or Firm* — Moore & Van Allen PLLC; W. Kevin Ransom

(57) **CLAIM**

The ornamental design for a tool housing, as shown and described.

DESCRIPTION

FIG. 1 is a perspective view of a tool housing according to the present invention.

FIG. 2 is a rear elevational view thereof;

FIG. 3 is a top view thereof;

FIG. 4 is a left side elevational view thereof;

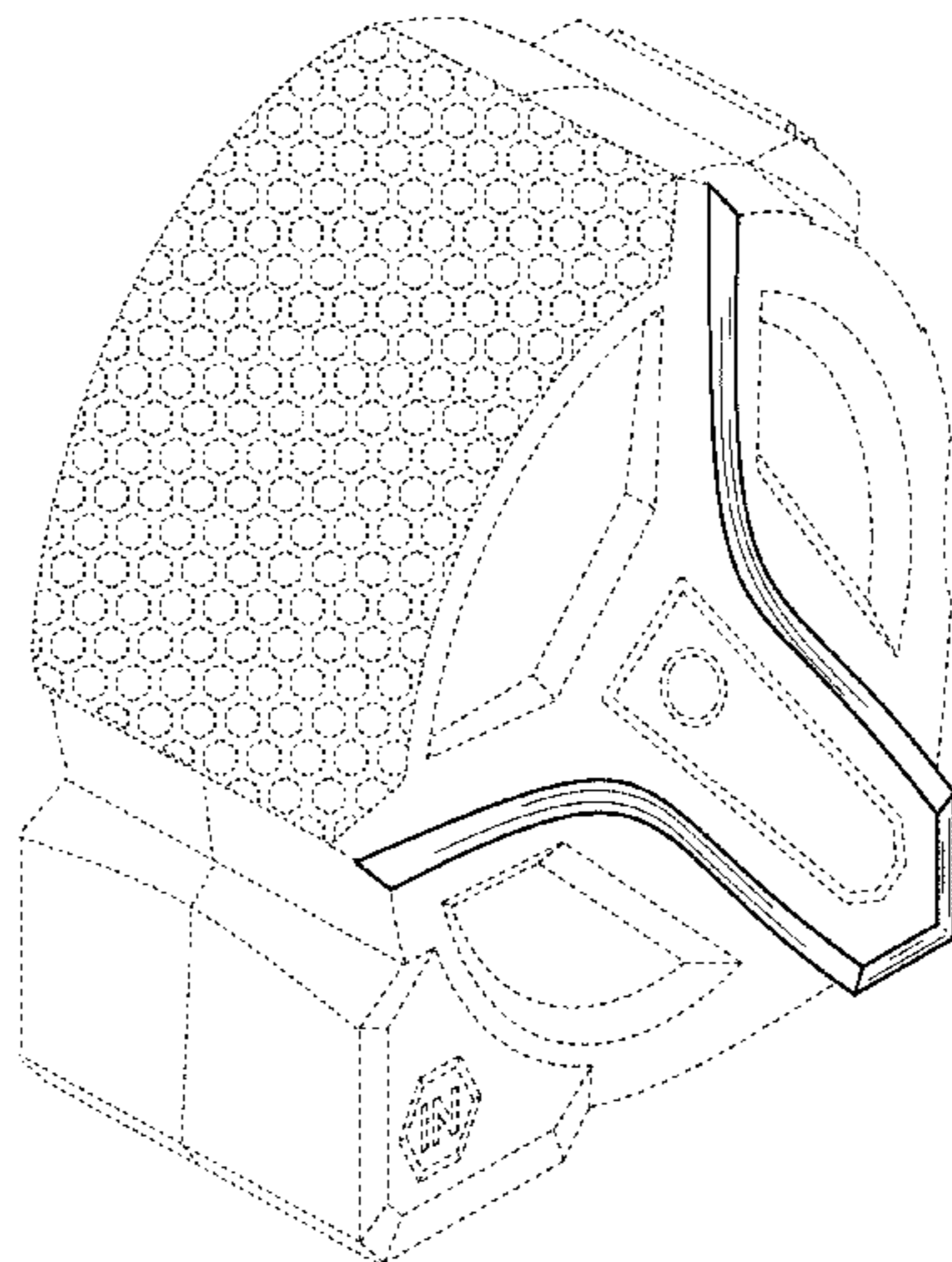
FIG. 5 is a bottom plan view thereof;

FIG. 6 is a front elevational view thereof; and,

FIG. 7 is a right side elevational view thereof.

The broken lines shown in the drawings are for the purpose of illustrating unclaimed portions of the tool housing and form no part of the claimed design.

1 Claim, 7 Drawing Sheets



US D644,906 S

U.S. PATENT DOCUMENTS

D329,590 S	9/1992	Chapman
D365,742 S	1/1996	Decursu et al.
5,582,834 A	12/1996	Seber et al.
D387,734 S	12/1997	Hawkins et al.
D389,394 S	1/1998	Taylor
D398,507 S	9/1998	Thompson et al.
D399,113 S	10/1998	Balolia
D410,859 S	6/1999	Hioki
D412,273 S	7/1999	Chung
D416,179 S	11/1999	Staton et al.
D418,731 S	1/2000	Rowlay et al.
D422,481 S	4/2000	Bertani
D424,401 S	5/2000	Ziemer
D432,381 S	10/2000	Khachatoorian
6,128,808 A	10/2000	Jansson et al.
D433,344 S	11/2000	Hsu
D434,298 S	11/2000	Izumisawa
D440,848 S	4/2001	Izumisawa
D441,269 S	5/2001	Tsai
D441,671 S	5/2001	Hsu
D442,053 S	5/2001	Jimenez
D446,942 S	8/2001	Kim
D449,546 S	10/2001	Lee
6,363,579 B1	4/2002	King, Jr.
D457,003 S	5/2002	Newman et al.
D468,607 S	1/2003	Price et al.
D471,784 S	3/2003	Garvis et al.
D471,976 S	3/2003	Pavlu et al.
D474,528 S	5/2003	Huang
D475,269 S	6/2003	Matern
D475,598 S	6/2003	Hung
D478,292 S	8/2003	Hsu
D482,203 S	11/2003	Goulet
D482,259 S	11/2003	Chen
D483,634 S	12/2003	Jansson et al.
D486,050 S	2/2004	Rampen
D486,716 S	2/2004	Levine et al.
D487,875 S	3/2004	Wang
D490,680 S	6/2004	Levine et al.
D491,083 S	6/2004	Lin
6,745,883 B2	6/2004	Eto et al.
D492,559 S	7/2004	Itano
D495,226 S	8/2004	Grant et al.
D503,351 S	3/2005	Chen
D507,195 S	7/2005	Kondo et al.
D510,247 S	10/2005	White
D515,389 S	2/2006	Hsu
D517,888 S	3/2006	DeBoer et al.
D517,889 S	3/2006	Hsieh
D519,017 S	4/2006	Hsieh
D520,856 S	5/2006	Osiecki et al.
D520,859 S	5/2006	Osiecki et al.
7,051,626 B1	5/2006	Chen et al.
D523,234 S	6/2006	DeBoer et al.

D527,236 S	8/2006	Wu	
D528,910 S	9/2006	Kingsley	
D529,357 S	10/2006	Qiu	
D530,200 S	10/2006	Kingsley	
D533,455 S	12/2006	Leck et al.	
D533,796 S	* 12/2006	Radivojevic et al.	D10/72
D534,091 S	* 12/2006	Ebihara	D10/72
D536,908 S	2/2007	Eros	
D536,944 S	2/2007	Tsai et al.	
D537,308 S	2/2007	Wang	
D537,676 S	3/2007	Kingsley	
D537,697 S	3/2007	Jimenez	
D538,129 S	3/2007	Jansson	
D543,085 S	5/2007	Aglassinger	
D543,812 S	6/2007	Burry et al.	
D543,828 S	6/2007	Strutin-Belinoff et al.	
D544,770 S	6/2007	Yang	
D547,624 S	7/2007	Strahorn	
D550,058 S	9/2007	Aglassinger	
D556,536 S	12/2007	Aglassinger	
D557,154 S	* 12/2007	Elam	D10/72
D560,127 S	1/2008	Elam	
D562,398 S	2/2008	Qiu et al.	
D568,715 S	5/2008	Gustafson et al.	
D571,679 S	6/2008	McEwan et al.	
D572,559 S	7/2008	Demers et al.	
D572,561 S	7/2008	Demers et al.	
D572,613 S	* 7/2008	Levick et al.	D10/72
D572,614 S	7/2008	McEwan et al.	
D576,853 S	9/2008	Aglassinger	
D578,852 S	10/2008	Enriquez	
D584,116 S	1/2009	Jackson	
D590,225 S	4/2009	Sell	
D591,570 S	5/2009	Lee et al.	
D597,811 S	8/2009	Yu	
2004/0246735 A1	12/2004	Huang	
2006/0090265 A1	5/2006	Fisher et al.	

FOREIGN PATENT DOCUMENTS

JP	D1253453	10/2005
TW	144783	10/1990
TW	251211	7/1995
TW	309829	7/1997
TW	443904	6/1999
TW	390769	5/2000
TW	403527	8/2000
TW	433951	5/2001
TW	440312	6/2001
TW	440384	6/2001
TW	478775	3/2002
TW	539445	6/2003
TW	542548	7/2003
TW	D106099	8/2005
TW	D110289	4/2006

* cited by examiner

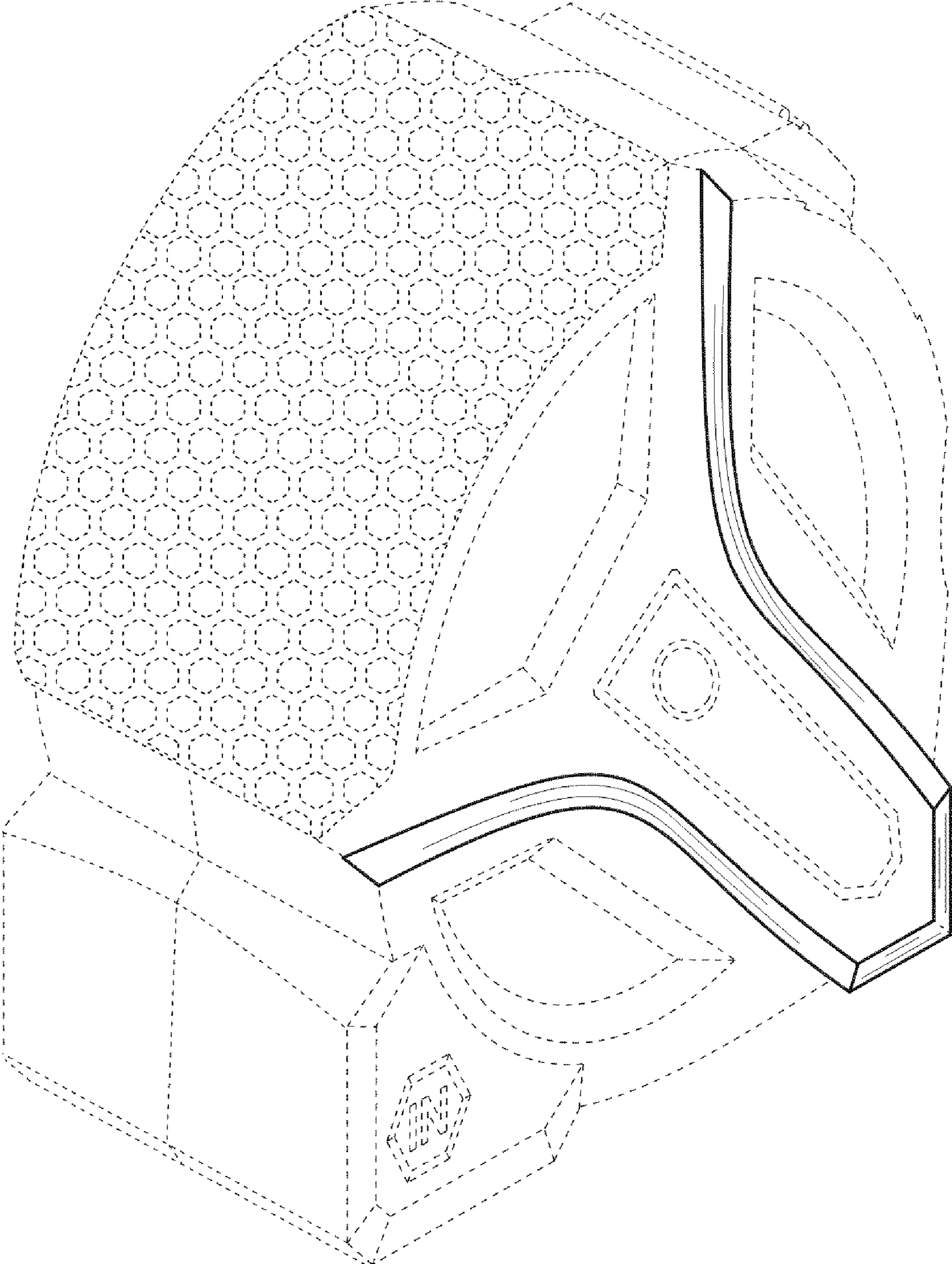


FIG. 1

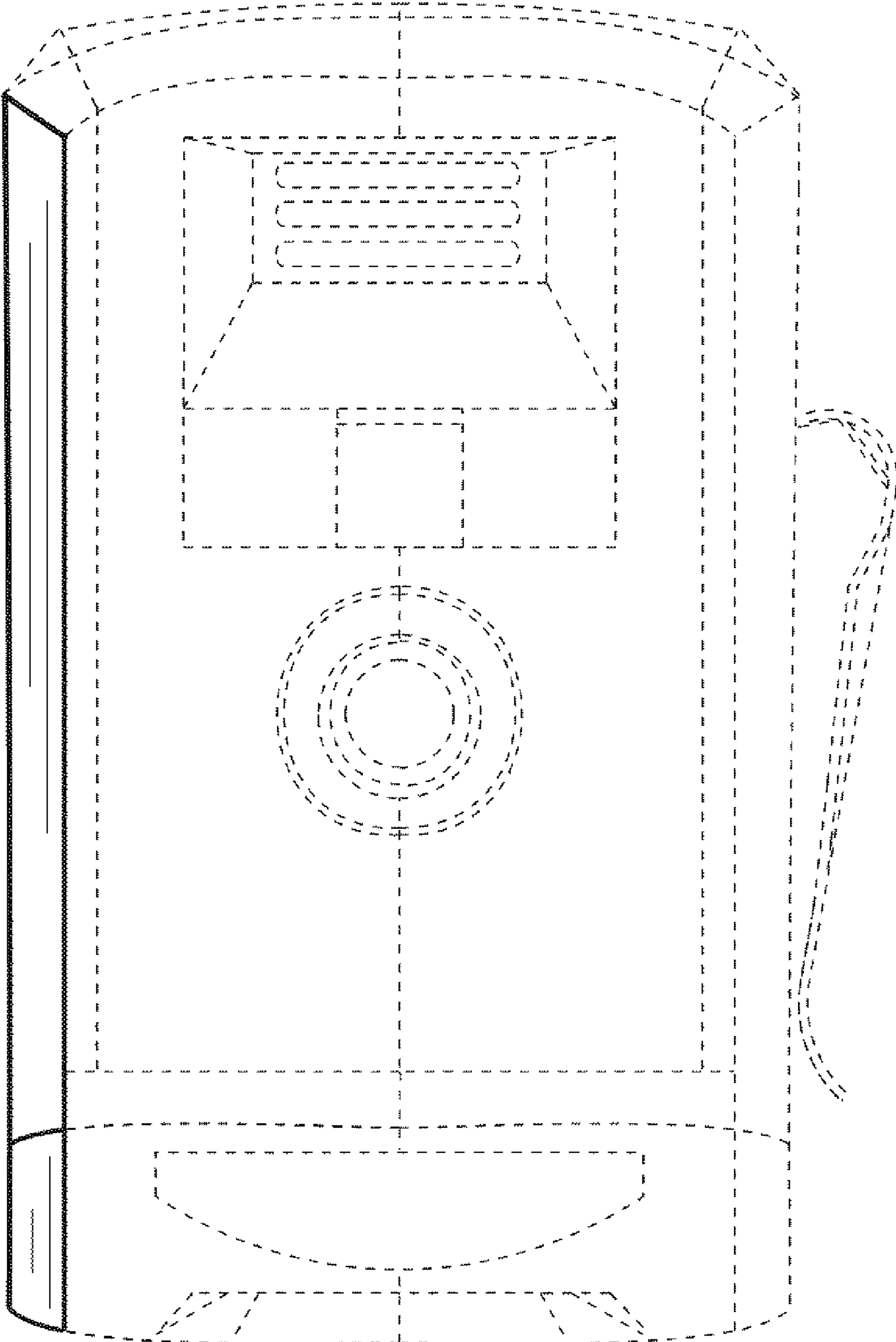


FIG. 2

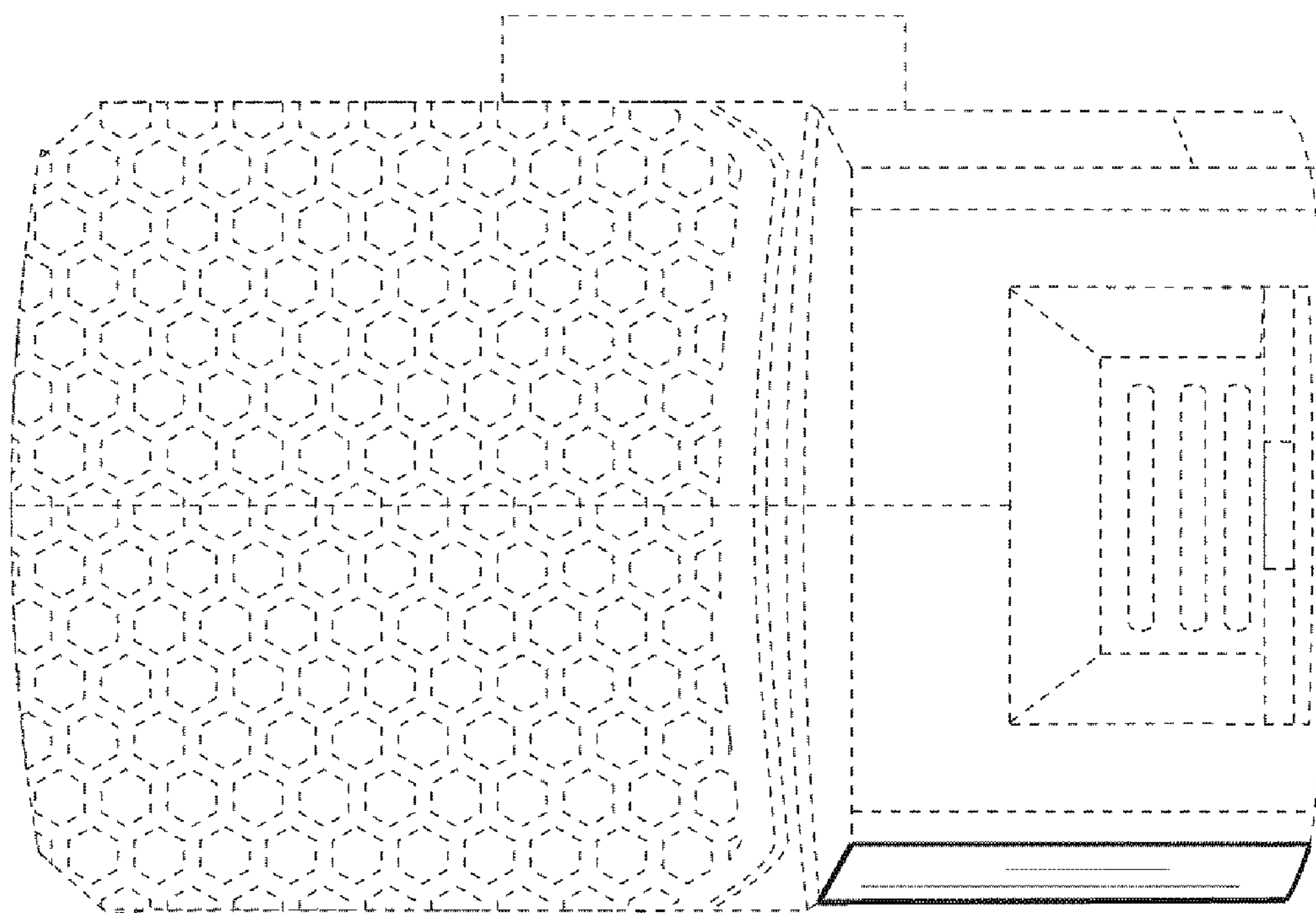


FIG. 3

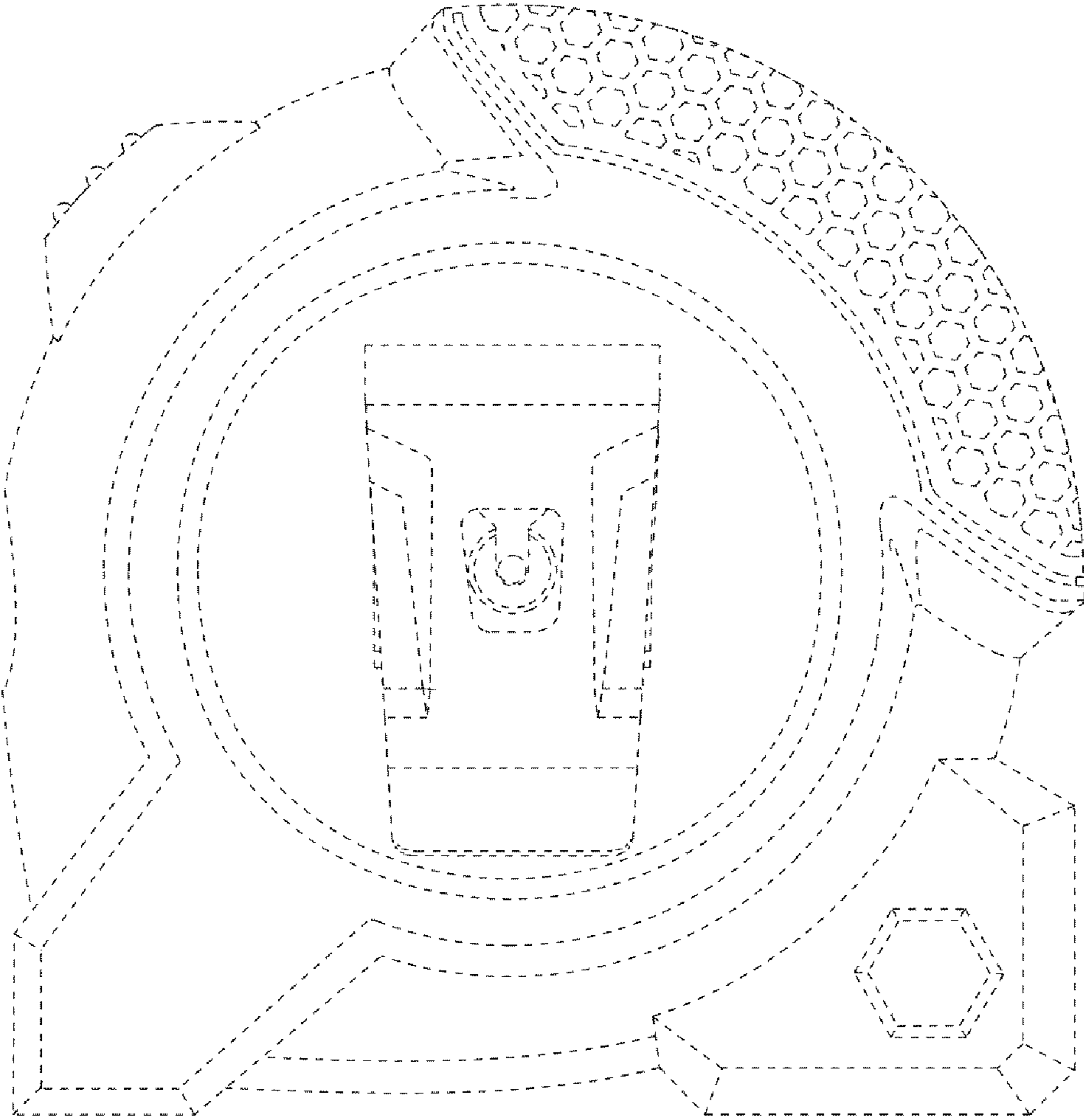


FIG. 4

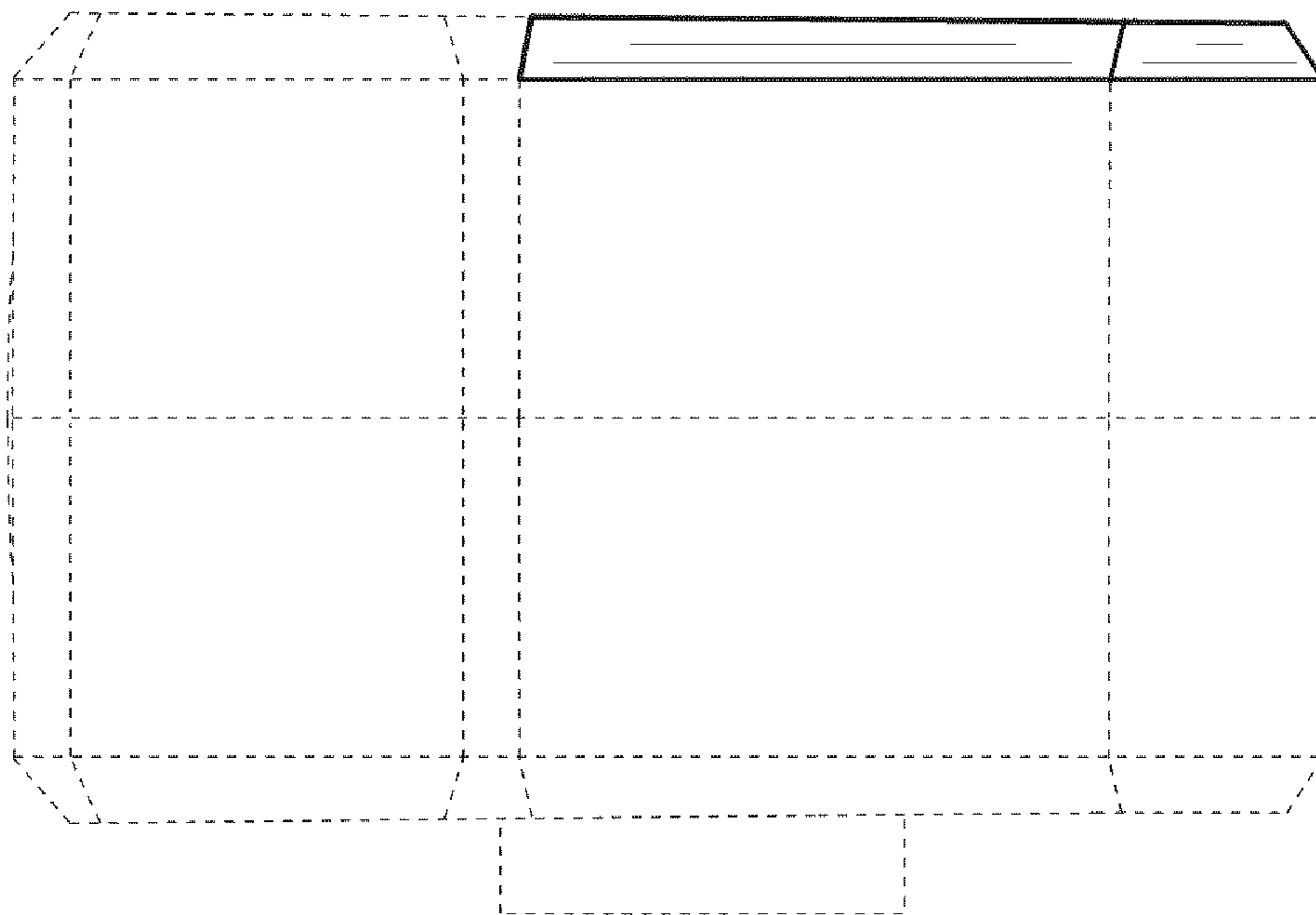


FIG. 5

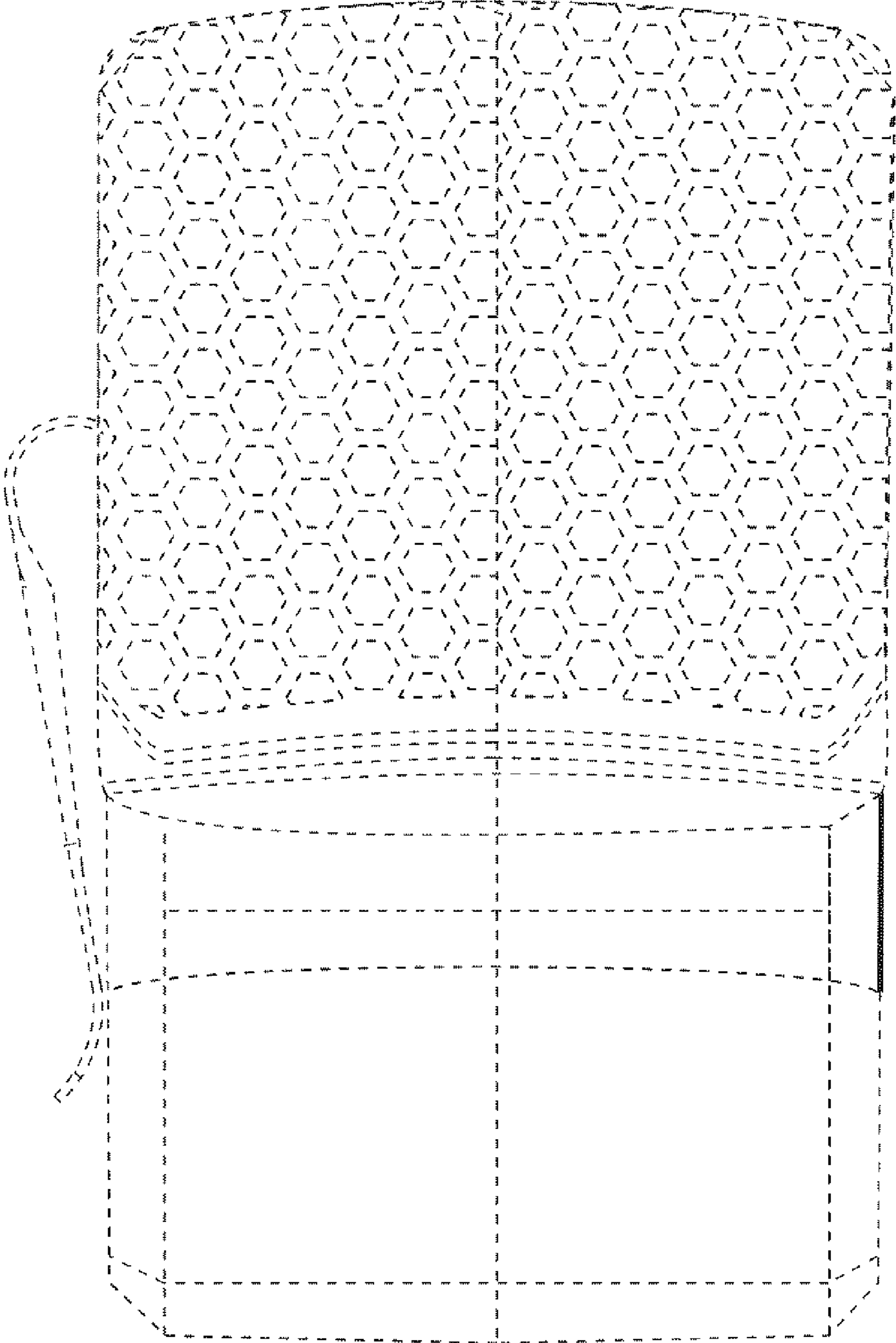


FIG. 6

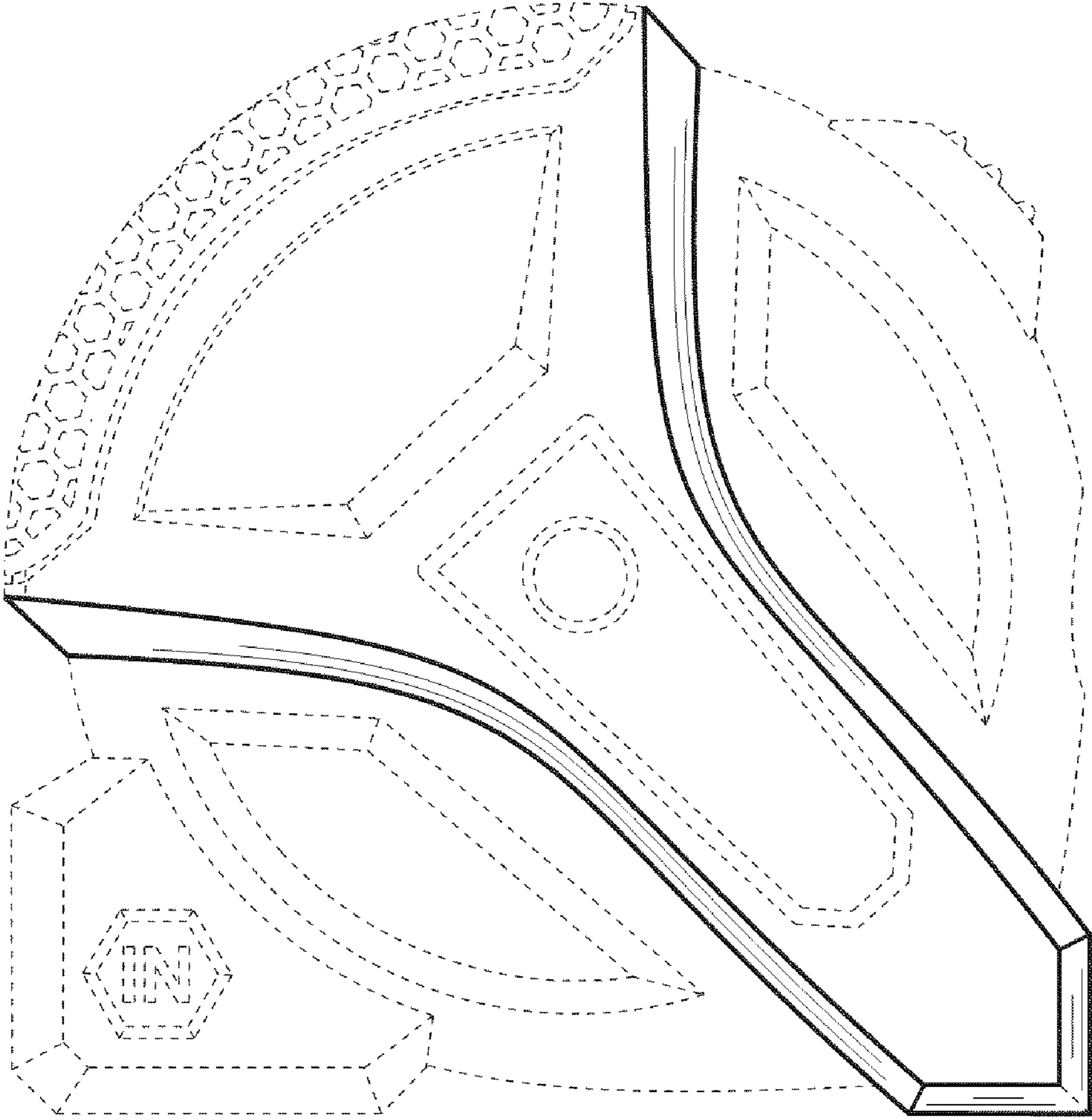


FIG. 7