



US00D644904S

(12) **United States Design Patent**  
**Saunders**

(10) **Patent No.:** **US D644,904 S**

(45) **Date of Patent:** **\*\* Sep. 13, 2011**

(54) **SKEW RABBET BLOCK PLANE**  
(75) Inventor: **Terry R. Saunders**, North Gower (CA)  
(73) Assignee: **Lee Valley Tools, Ltd.**, Ottawa, Ontario (CA)

D591,579 S \* 5/2009 Saunders et al. .... D8/101  
D595,558 S \* 7/2009 Saunders ..... D8/101  
D596,475 S \* 7/2009 Saunders ..... D8/101  
D609,548 S \* 2/2010 Saunders et al. .... D8/101

(Continued)

(\*\*) Term: **14 Years**  
(21) Appl. No.: **29/357,758**  
(22) Filed: **Mar. 17, 2010**

**OTHER PUBLICATIONS**

[http://cgi.ebay.com/STANLEY-140-SKEW-RABBET-PLANE-COMplete-140-NO-RESERVE/270744928446?pt=LH\\_DefaultDomain\\_0&hash=item3f09a7c0be](http://cgi.ebay.com/STANLEY-140-SKEW-RABBET-PLANE-COMplete-140-NO-RESERVE/270744928446?pt=LH_DefaultDomain_0&hash=item3f09a7c0be). Downloaded May 6, 2011.\*  
<http://www.leevalley.com/us/wood/page.aspx?p=65373&cat=51&ap=1>. Downloaded May 6 & May 13, 2011.\*

(30) **Foreign Application Priority Data**  
Oct. 22, 2009 (CA) ..... 132614  
(51) **LOC (9) Cl.** ..... **08-03**  
(52) **U.S. Cl.** ..... **D8/101**  
(58) **Field of Classification Search** ..... D8/14,  
D8/51, 98, 101; 30/484, 487-488, 490-491  
See application file for complete search history.

*Primary Examiner* — Phillip S Hyder  
*Assistant Examiner* — Roselynn Cody  
(74) *Attorney, Agent, or Firm* — Kilpatrick Townsend & Stockton LLP; John S. Pratt; Camilla C. Williams

(56) **References Cited**

(57) **CLAIM**  
The ornamental design for skew rabbit block plane, as shown and described.

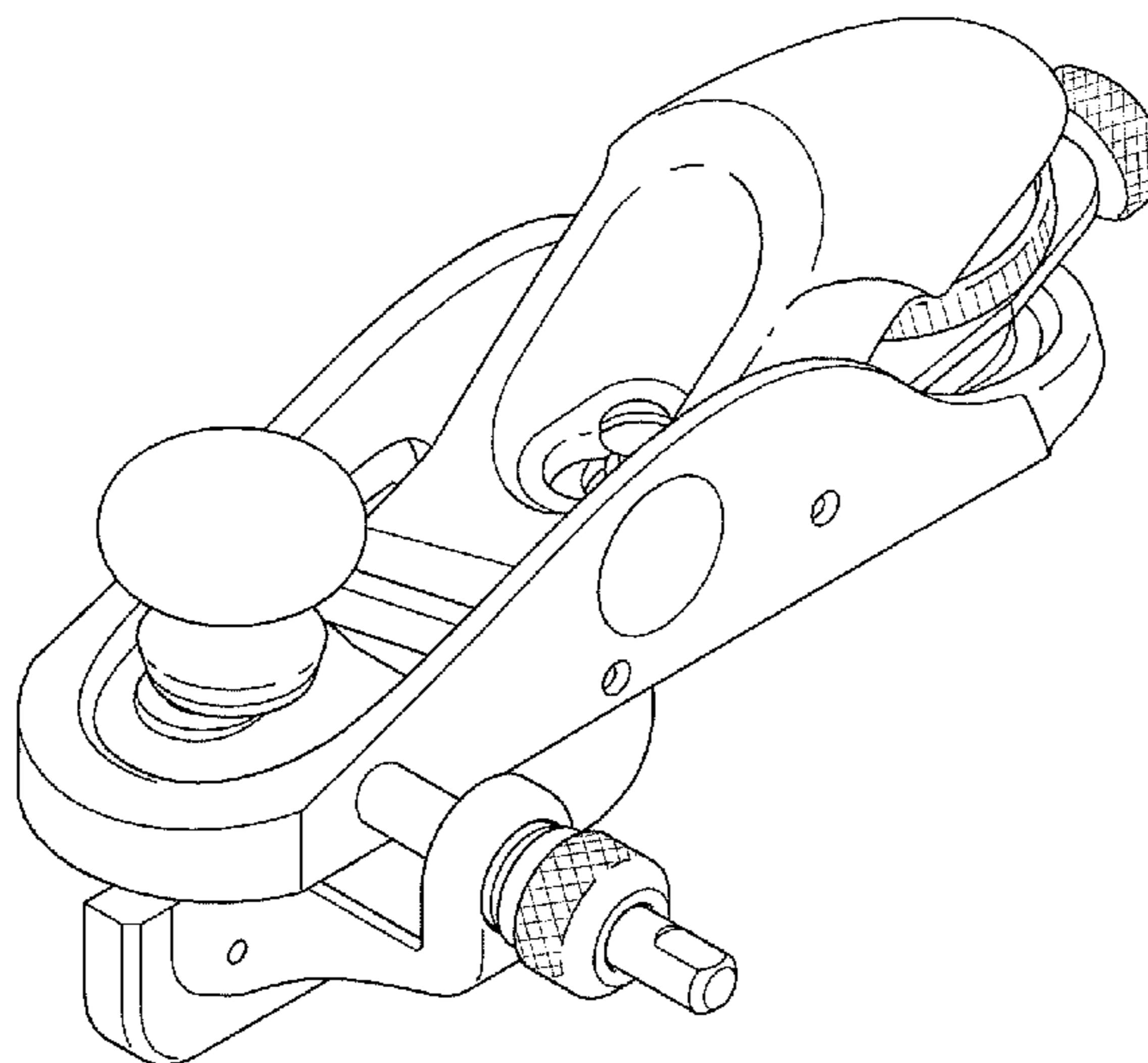
**U.S. PATENT DOCUMENTS**

**DESCRIPTION**

528,829	A *	11/1894	Traut	30/486
645,220	A *	3/1900	Traut	30/489
968,508	A *	8/1910	Bodmer	30/486
1,090,225	A *	3/1914	Page	30/489
1,358,969	A *	11/1920	Meed	30/481
1,388,281	A *	8/1921	Meed	30/486
1,980,737	A *	11/1934	Wolf	30/481
2,344,897	A *	3/1944	Pringle	30/486
2,449,015	A *	9/1948	Shaw	30/488
2,568,665	A *	9/1951	Shaler	30/489
2,734,535	A *	2/1956	Neubauer	30/481
2,758,619	A *	8/1956	Swanson et al.	30/478
D217,535	S *	5/1970	O'Connell	D8/101
D217,536	S *	5/1970	O'Connell	D8/101
4,589,209	A *	5/1986	Zarges et al.	30/478
D435,777	S *	1/2001	Jones et al.	D8/101
D481,288	S *	10/2003	Saunders	D8/101
6,718,642	B2 *	4/2004	Collins	30/492
7,117,602	B2 *	10/2006	Saunders	30/489

FIG. 1 is a perspective view of the skew rabbit block plane of this invention.  
FIG. 2 is another perspective view of the design for the skew rabbit block plane shown in FIG. 1.  
FIG. 3 is a left side elevation view of the design for the skew rabbit block plane shown in FIG. 1.  
FIG. 4 is a front end view of the design for the skew rabbit block plane shown in FIG. 1.  
FIG. 5 is a right side elevation view the design for the skew rabbit block plane shown in FIG. 1.  
FIG. 6 is another end view of the design for the skew rabbit block plane shown in FIG. 1; and,  
FIG. 7 is a top plan view of the design for the skew rabbit block plane shown in FIG. 1.

**1 Claim, 4 Drawing Sheets**



# US D644,904 S

Page 2

---

U.S. PATENT DOCUMENTS	2005/0060897 A1*	3/2005	Saunders	.....	30/478
D612,701 S *	3/2010	Jones	.....	D8/101	
2002/0133956 A1*	9/2002	Collins	.....	30/487	* cited by examiner

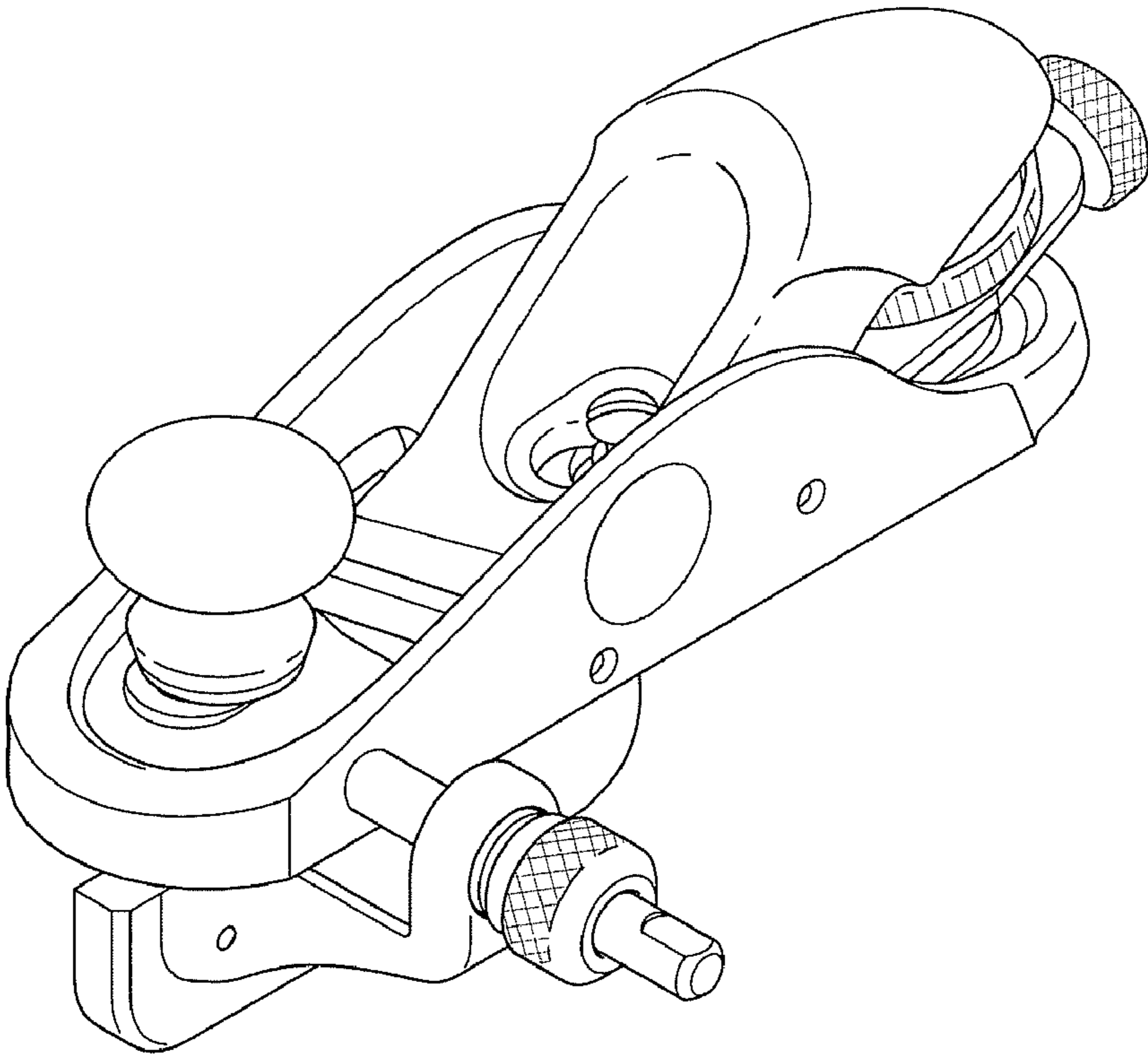


FIG. 1

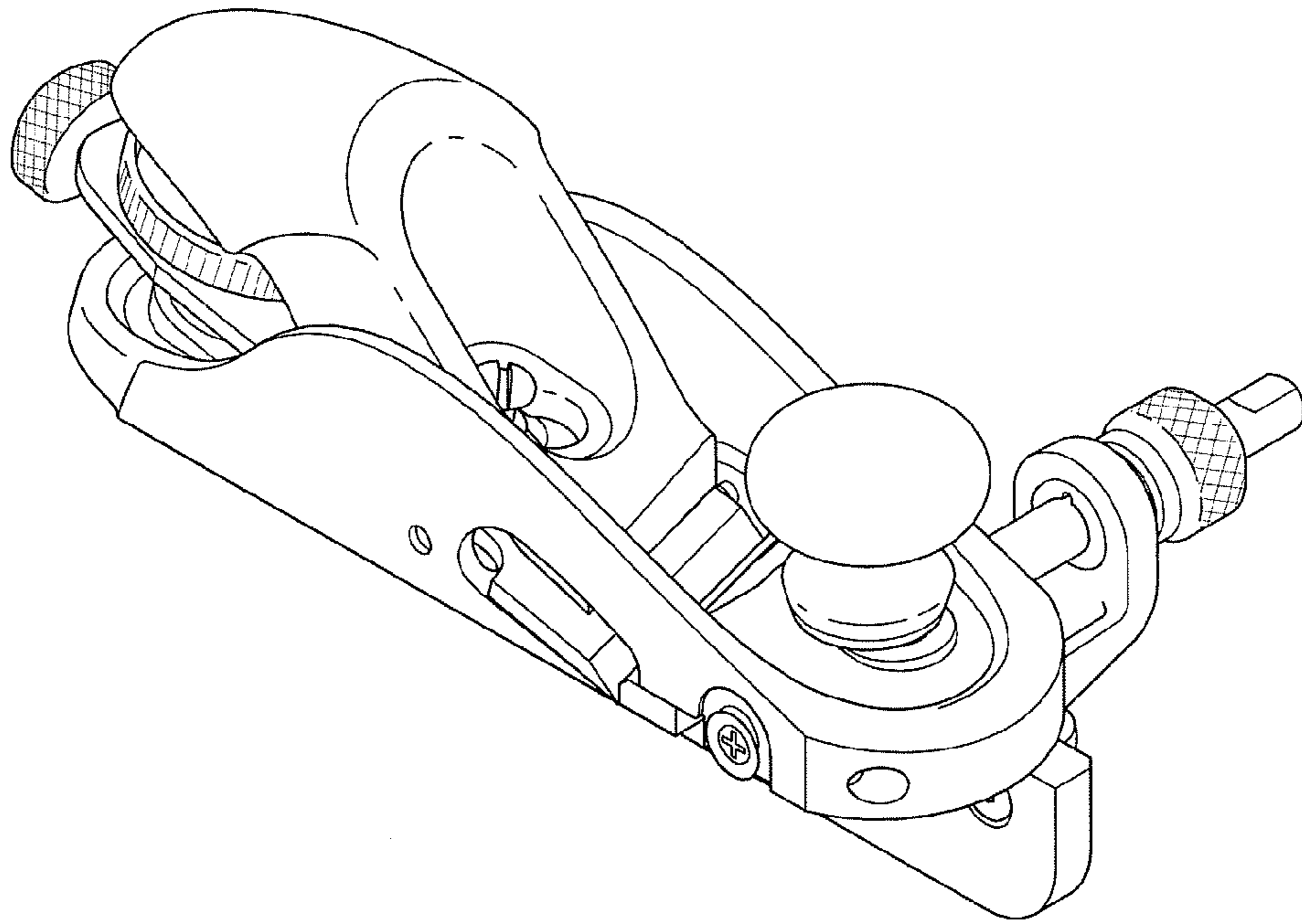


FIG. 2

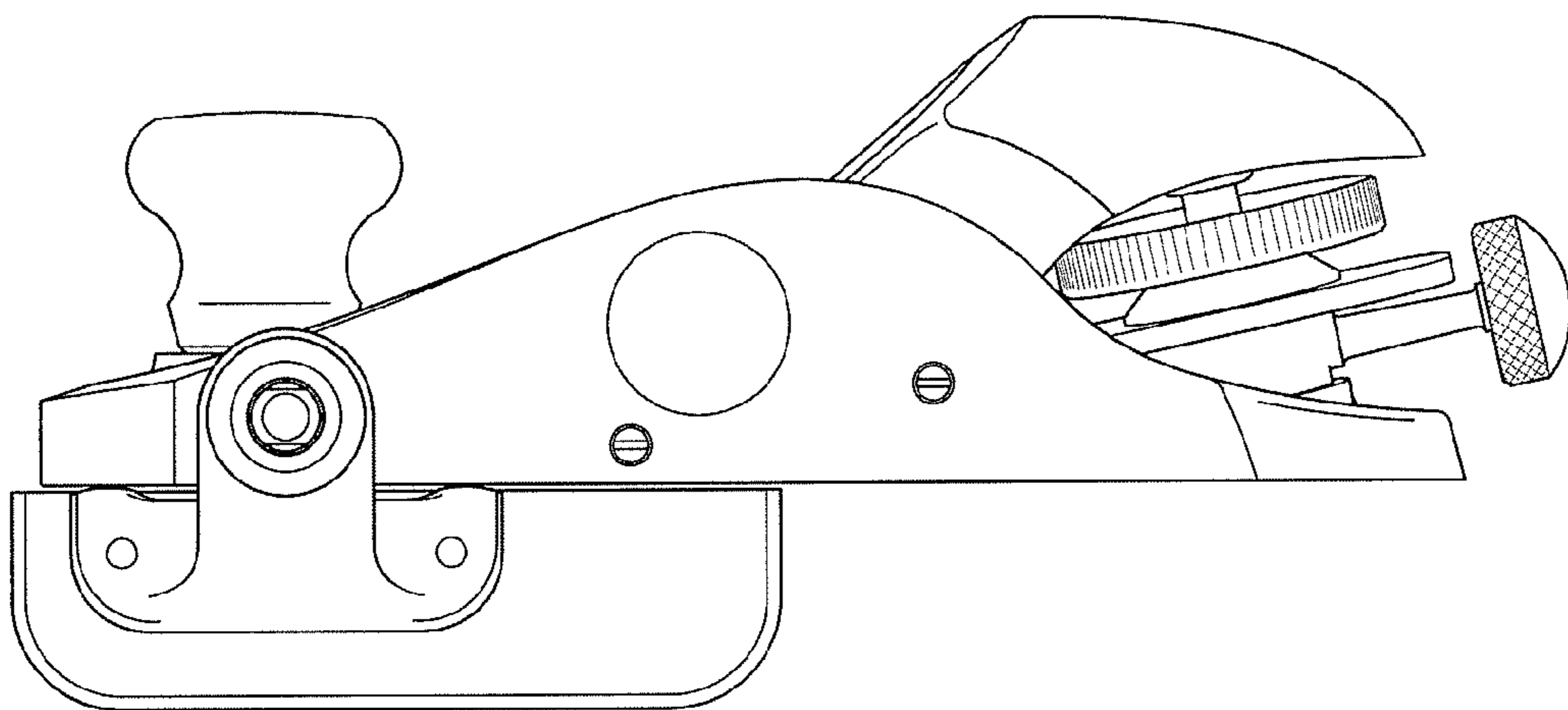


FIG. 3

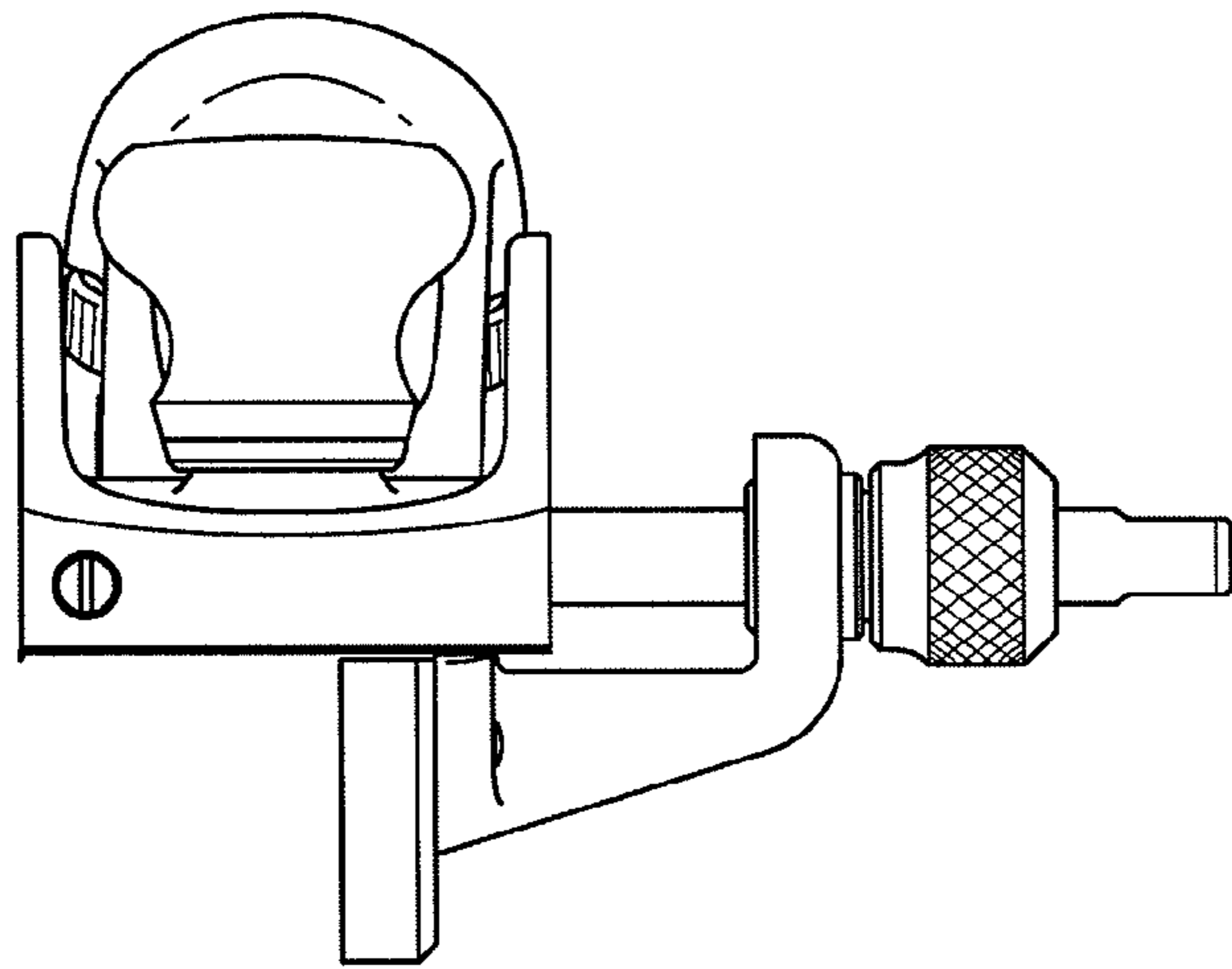


FIG. 4

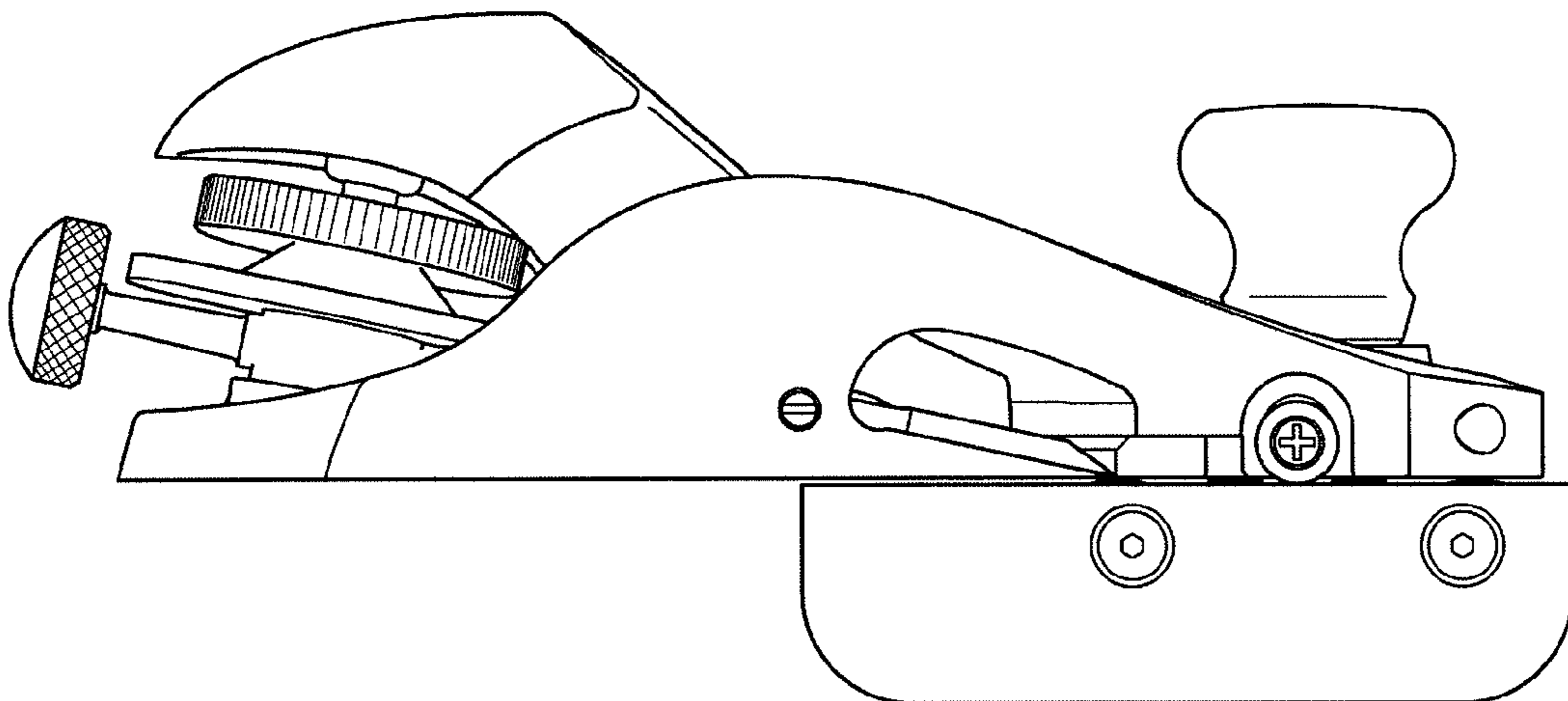


FIG. 5

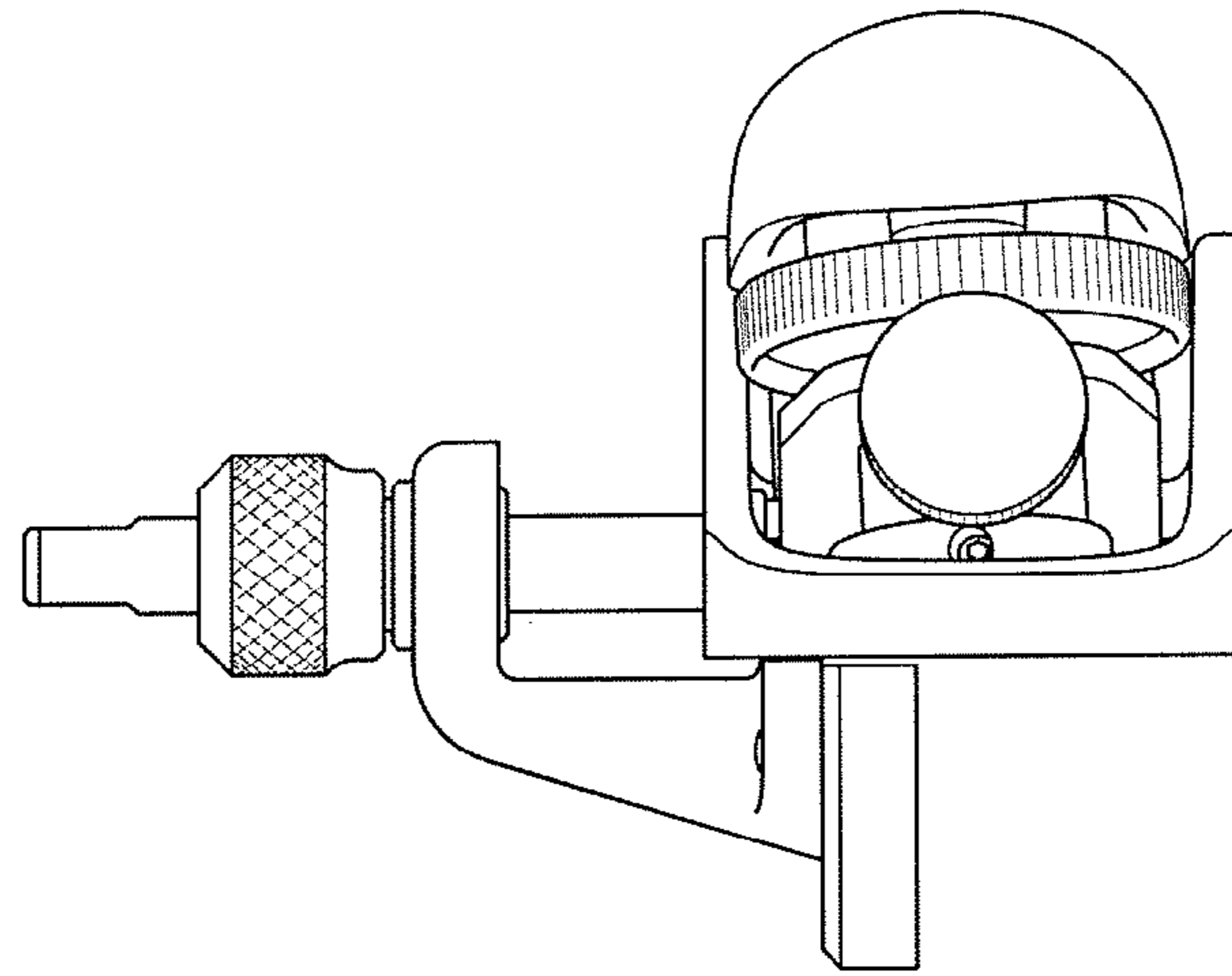


FIG. 6

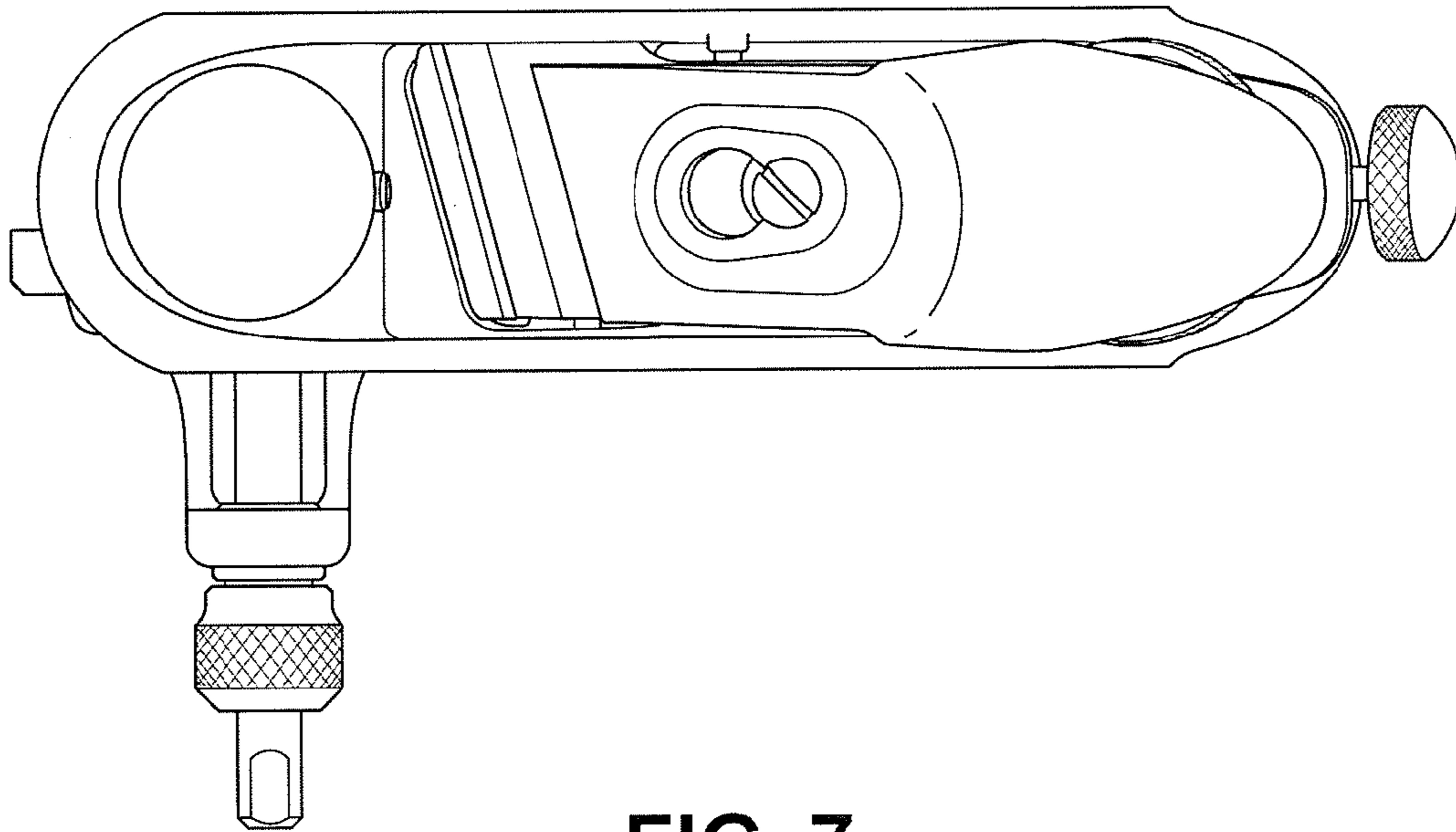


FIG. 7