



US00D644903S

(12) **United States Design Patent**
Chen

(10) **Patent No.:** **US D644,903 S**

(45) **Date of Patent:** **** Sep. 13, 2011**

(54) **SCREWDRIVER HEAD**

(76) Inventor: **Bo-Shen Chen**, Dadu Township,
Taichung County (TW)

(**) Term: **14 Years**

(21) Appl. No.: **29/367,324**

(22) Filed: **Aug. 6, 2010**

(30) **Foreign Application Priority Data**

Feb. 8, 2010 (TW) 99300607

(51) **LOC (9) Cl.** **08-04**

(52) **U.S. Cl.** **D8/86**

(58) **Field of Classification Search** D8/82-87;
81/436, 438-441, 460-461, 489-490

See application file for complete search history.

(56) **References Cited**

U.S. PATENT DOCUMENTS

5,619,882	A *	4/1997	Godtner	72/356
5,704,261	A *	1/1998	Strauch et al.	81/467
6,547,562	B2 *	4/2003	Kumar	433/165
7,117,765	B1 *	10/2006	Wallden	81/60
7,437,979	B1 *	10/2008	Wang	81/436
D600,525	S *	9/2009	Meng	D8/86
7,581,470	B1 *	9/2009	Huang	81/438
2004/0007095	A1 *	1/2004	Meng	81/53.2

OTHER PUBLICATIONS

Magna-Tip Screwdriver Bits. Downloaded Jun. 19, 2011 at http://www.brownells.com/.aspx/sid=2070/pid=501/Product/_440_0_ BIT.*

* cited by examiner

Primary Examiner — Philip S Hyder

Assistant Examiner — Roselyne Cody

(57) **CLAIM**

The ornamental design for a screwdriver head, as shown and described.

DESCRIPTION

FIG. 1 is a perspective view of a screwdriver head showing my new design;

FIG. 2 is a front elevational view thereof;

FIG. 3 is a rear elevational view thereof;

FIG. 4 is a left side elevational view thereof;

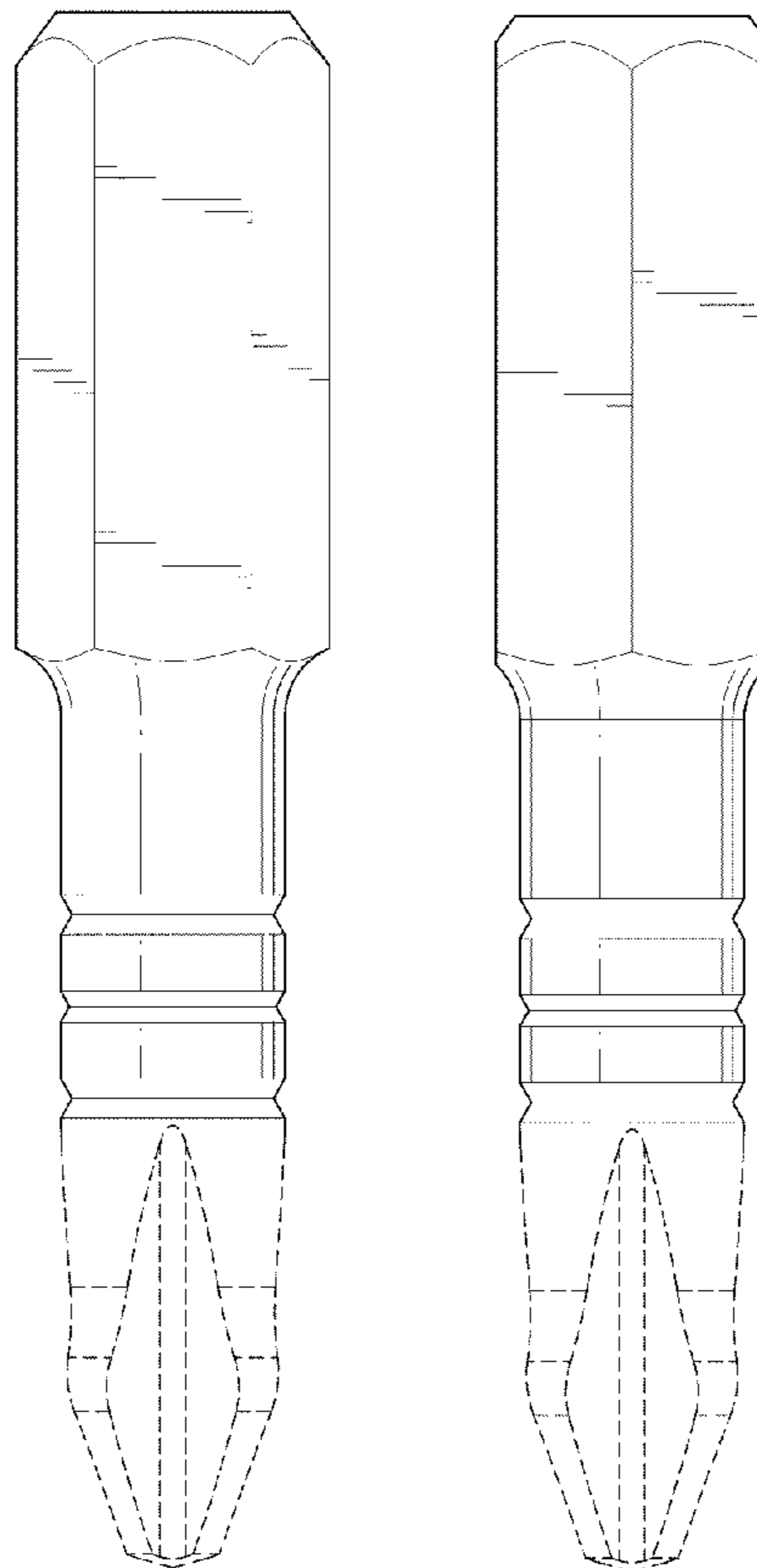
FIG. 5 is a right side elevational view thereof;

FIG. 6 is a top plan view thereof; and,

FIG. 7 is a bottom plan view thereof.

The broken lines illustrate a portion of the screwdriver head that forms no part of the claimed design.

1 Claim, 4 Drawing Sheets



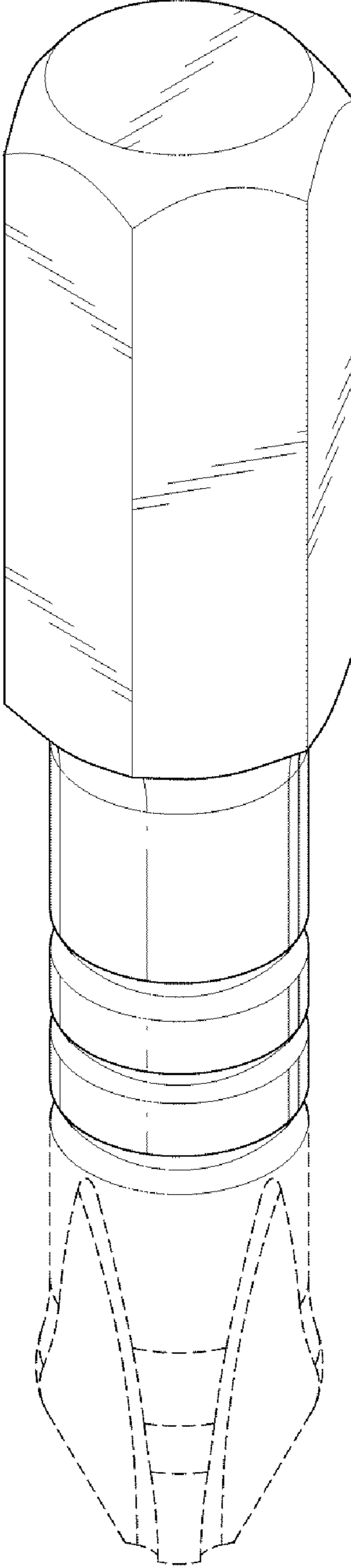


FIG. 1

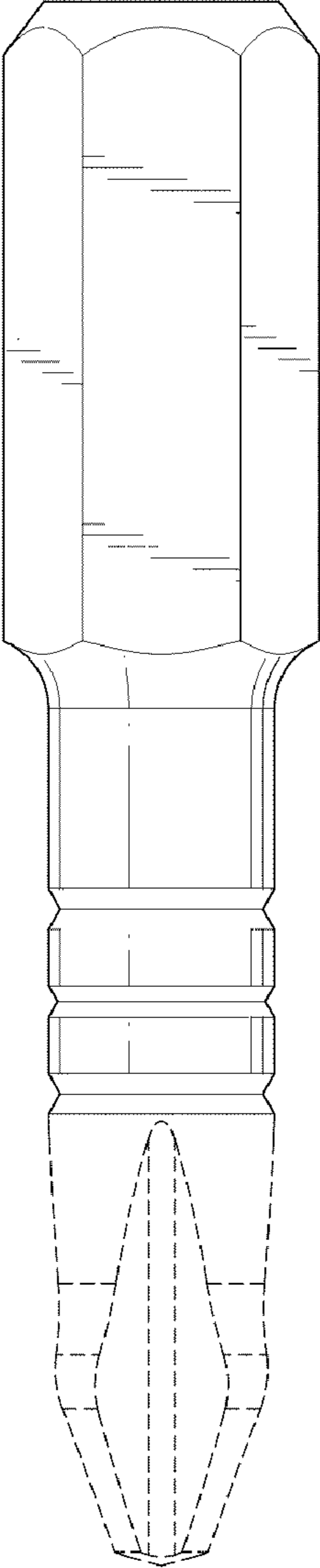


FIG. 2

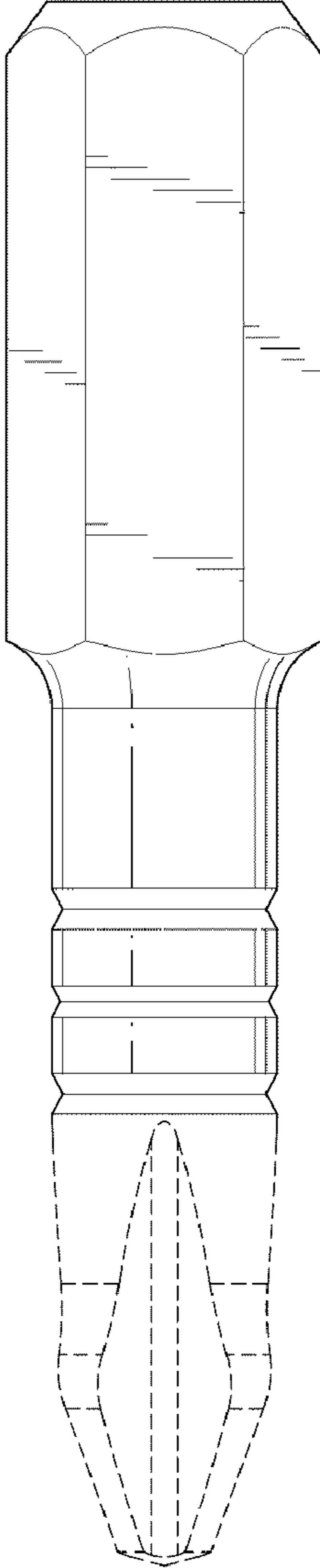


FIG. 3

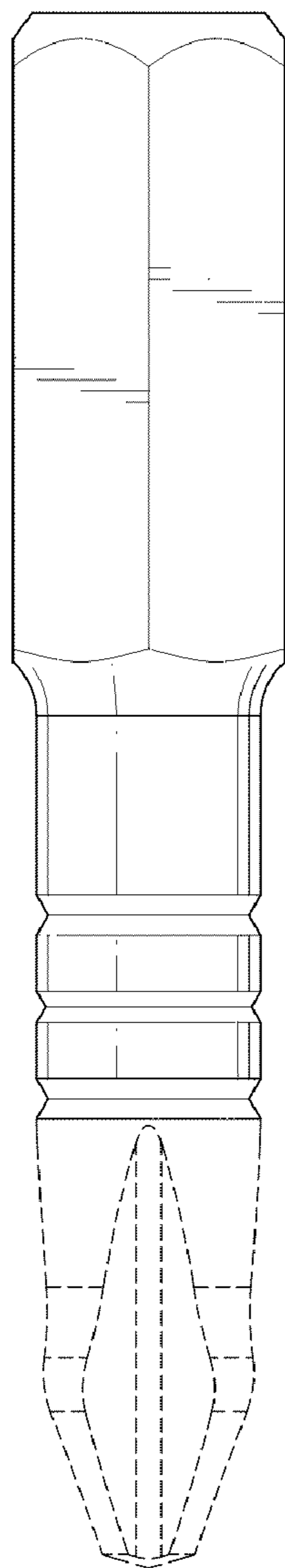


FIG. 4

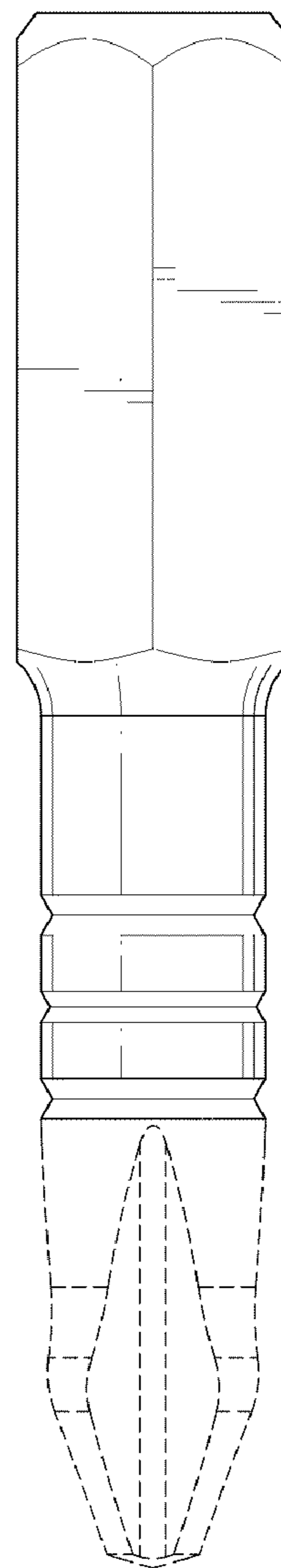


FIG. 5

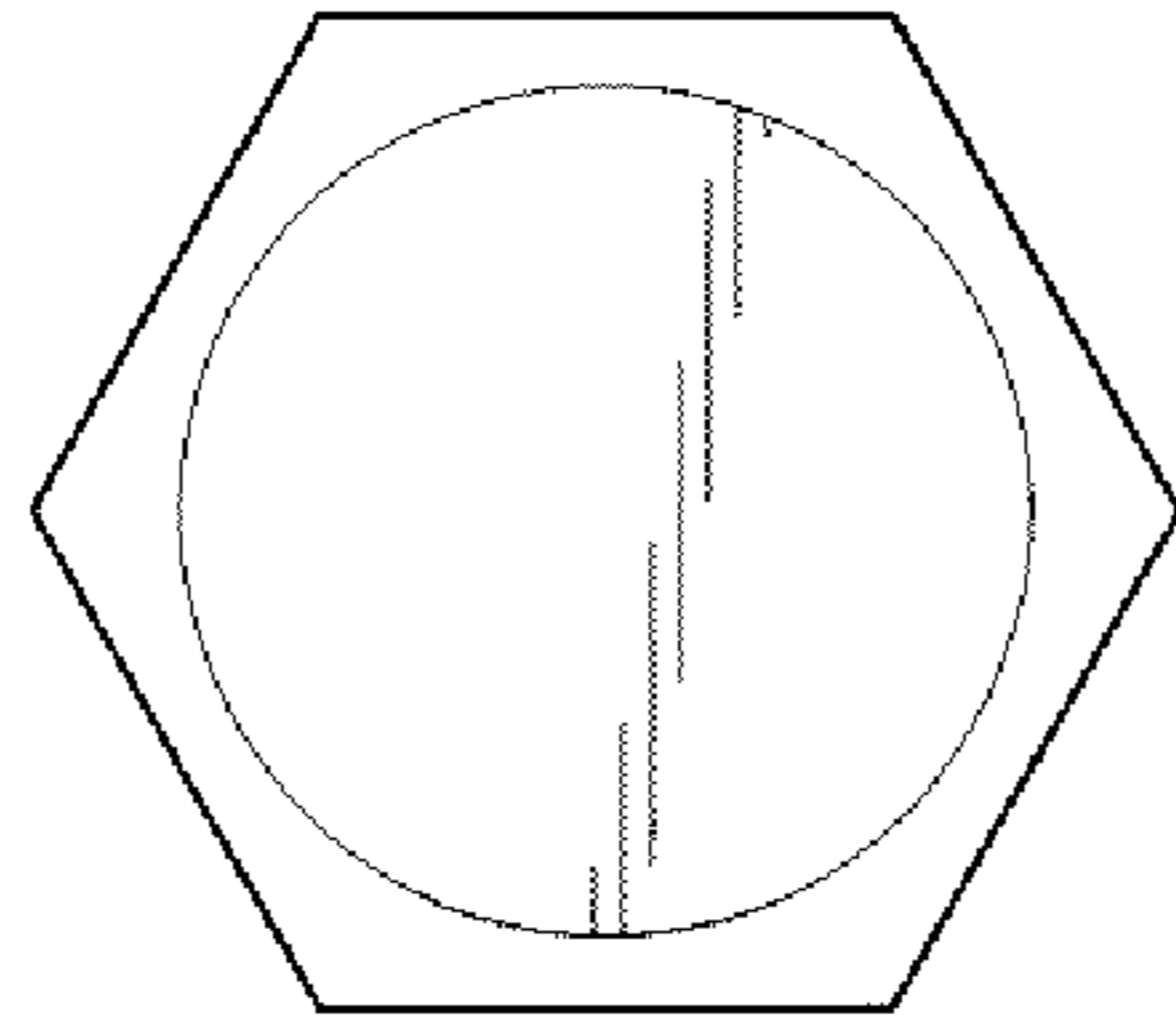


FIG. 6

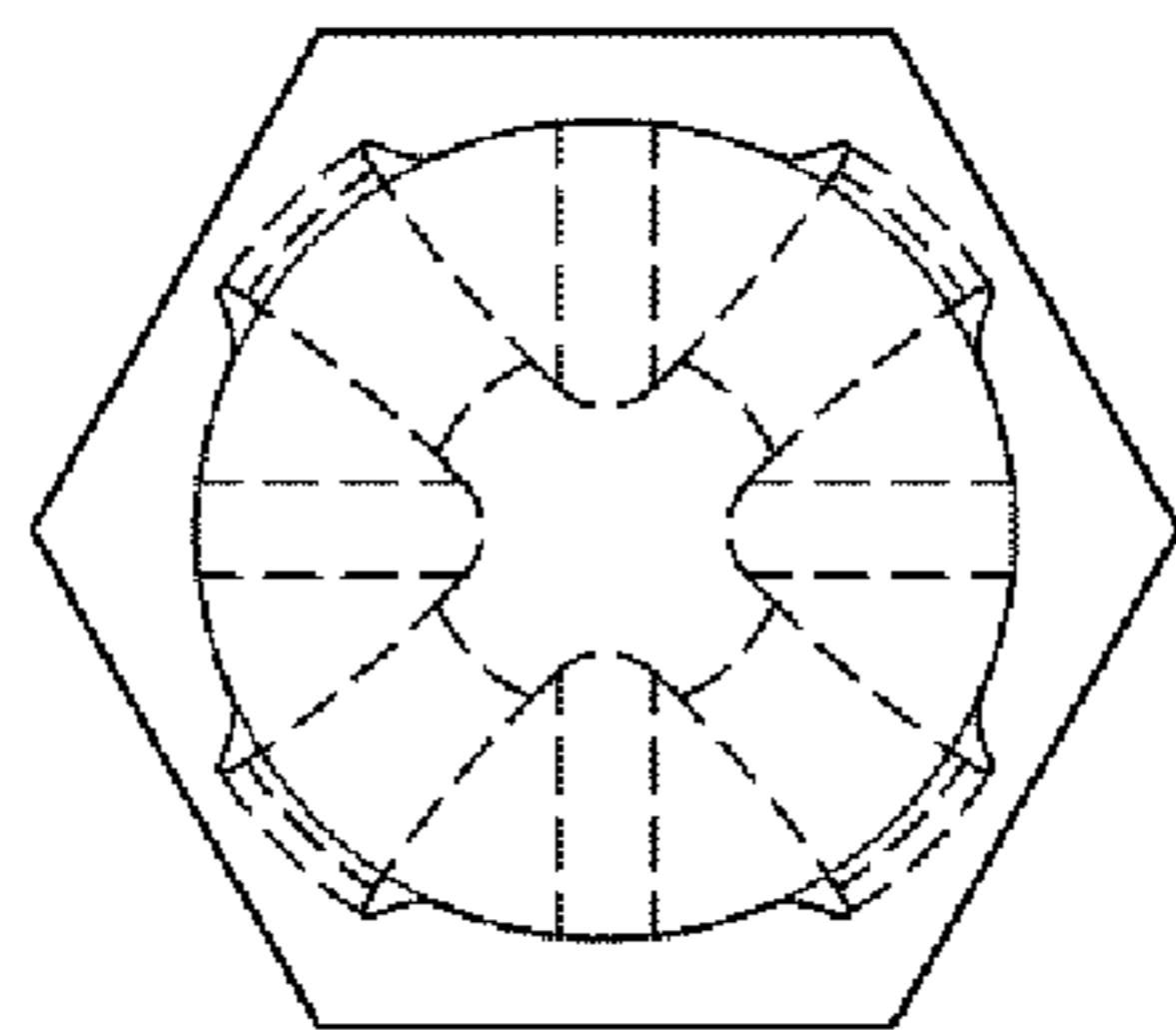


FIG. 7