



US00D644901S

(12) **United States Design Patent**  
**Christopher**

(10) **Patent No.:** **US D644,901 S**

(45) **Date of Patent:** **\*\* Sep. 13, 2011**

(54) **HAND TOOL**

(75) Inventor: **Brent Christopher**, Portland, OR (US)

(73) Assignee: **Meridian International Co., Ltd.** (CN)

(\*\*) Term: **14 Years**

(21) Appl. No.: **29/362,607**

(22) Filed: **May 27, 2010**

(30) **Foreign Application Priority Data**

Mar. 17, 2010 (CN) ..... 2010 3 0120320

Mar. 19, 2010 (CN) ..... 2010 2 0137687

Mar. 19, 2010 (CN) ..... 2010 2 01376989

(51) **LOC (9) Cl.** ..... **08-04**

(52) **U.S. Cl.** ..... **D8/83**

(58) **Field of Classification Search** ..... D8/25,  
D8/71, 82-85, 87, 107; 16/110.1; 81/177.1,  
81/177.4, 436-440, 489

See application file for complete search history.

(56) **References Cited**

**U.S. PATENT DOCUMENTS**

|           |     |         |                  |          |
|-----------|-----|---------|------------------|----------|
| 1,177,072 | A   | 3/1916  | Warman           |          |
| 3,130,443 | A * | 4/1964  | Tonelli          | 16/110.1 |
| 3,489,289 | A * | 1/1970  | Scott-Fenton     | 211/78   |
| 3,654,975 | A * | 4/1972  | Ballsmith et al. | 81/32    |
| 3,727,771 | A * | 4/1973  | Hoffman          | 211/69   |
| D229,997  | S * | 1/1974  | Buin et al.      | D6/457   |
| 3,957,096 | A * | 5/1976  | Rodman           | 81/177.1 |
| D255,771  | S * | 7/1980  | Cruz             | D8/71    |
| D255,979  | S * | 7/1980  | Boursaw          | D8/25    |
| D259,141  | S * | 5/1981  | Oliver           | D24/230  |
| D288,168  | S * | 2/1987  | Graham           | D8/85    |
| D290,853  | S * | 7/1987  | Appel            | D19/85   |
| D290,854  | S * | 7/1987  | Appel            | D19/85   |
| 4,682,688 | A   | 7/1987  | Budert           |          |
| D292,771  | S * | 11/1987 | Kim              | D8/25    |
| D298,264  | S * | 10/1988 | Wang             | D19/85   |
| 4,899,877 | A   | 2/1990  | Kiernan          |          |

|           |     |         |                 |           |
|-----------|-----|---------|-----------------|-----------|
| 4,924,733 | A   | 5/1990  | McKenzie        |           |
| D309,089  | S * | 7/1990  | Tsuji           | D8/82     |
| 5,008,551 | A * | 4/1991  | Randolph        | 250/462.1 |
| D325,934  | S * | 5/1992  | Ramljak         | D19/85    |
| 5,174,178 | A   | 12/1992 | Distton, Jr.    |           |
| D335,803  | S * | 5/1993  | Ohsumi          | D8/14     |
| D337,246  | S * | 7/1993  | Arden           | D8/25     |
| 5,279,417 | A   | 1/1994  | Seaton          |           |
| 5,606,897 | A   | 3/1997  | Quinn           |           |
| D382,998  | S * | 9/1997  | Conigliaro      | D3/313    |
| 5,740,706 | A   | 4/1998  | Tseng           |           |
| 5,743,395 | A   | 4/1998  | Backer          |           |
| D396,179  | S * | 7/1998  | Burns et al.    | D8/310    |
| 5,816,401 | A   | 10/1998 | Vasudeva et al. |           |

(Continued)

**OTHER PUBLICATIONS**

Jul. 9, 2010 USPTO Office Action from related U.S. Appl. No. 12/605,600.

(Continued)

*Primary Examiner* — Philip S Hyder

*Assistant Examiner* — Roselynn Cody

(74) *Attorney, Agent, or Firm* — Jason R. Sytsma; Shuttleworth & Ingersoll, PLC

(57) **CLAIM**

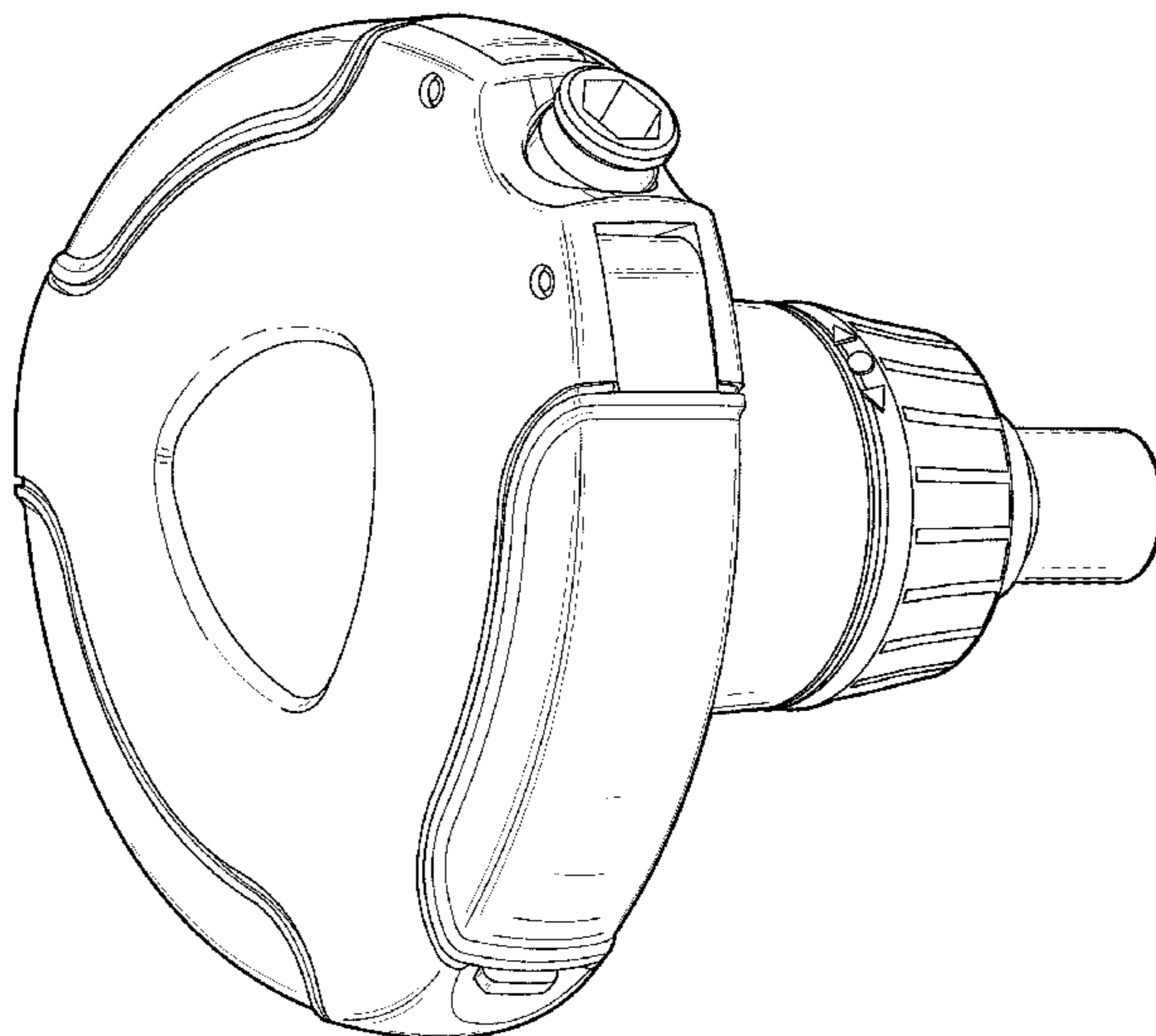
The ornamental design for a hand tool, as shown and described.

**DESCRIPTION**

FIG. 1 is a perspective view of an embodiment of a hand tool; FIG. 2 is a back-side view thereof; FIG. 3 is a right-side view thereof; FIG. 4 is a top view thereof; FIG. 5 is a left-side view thereof; FIG. 6 is a bottom view thereof; and, FIG. 7 is a front-side view thereof.

The broken lines in FIG. 6 illustrate features that form no part of the claimed design.

**1 Claim, 7 Drawing Sheets**



# US D644,901 S

Page 2

## U.S. PATENT DOCUMENTS

D401,834 S \* 12/1998 Burns et al. .... D8/310  
D402,522 S \* 12/1998 Gillman ..... D8/82  
5,899,329 A 5/1999 Hu  
5,918,741 A 7/1999 Vasudeva  
D417,827 S \* 12/1999 Gillman ..... D8/14  
6,079,298 A 6/2000 Gasperi et al.  
6,138,531 A \* 10/2000 Lamons ..... 81/60  
6,216,348 B1 \* 4/2001 Martirosian ..... 30/329  
6,237,451 B1 5/2001 Wei  
6,298,755 B1 \* 10/2001 England ..... 81/438  
6,457,916 B2 10/2002 Wienhold  
6,464,840 B1 10/2002 McCann  
D465,396 S \* 11/2002 Song ..... D8/82  
D472,947 S \* 4/2003 Wu ..... D21/694  
D473,444 S \* 4/2003 Lin ..... D8/85  
6,561,523 B1 5/2003 Wienhold  
6,685,018 B1 2/2004 Chuan  
D496,845 S \* 10/2004 Smeja et al. .... D8/107  
D507,602 S \* 7/2005 Siegel ..... D19/85  
7,240,527 B2 \* 7/2007 Boyd ..... 70/456 R  
D552,881 S \* 10/2007 Rittmann ..... D6/469  
D565,385 S \* 4/2008 Jou ..... D8/307  
D566,770 S \* 4/2008 Cetera ..... D19/77  
D569,220 S \* 5/2008 McConnell ..... D8/310  
D597,815 S \* 8/2009 Saunders ..... D8/83  
D622,564 S \* 8/2010 Huang ..... D8/25

2002/0020537 A1 2/2002 Shonfeld et al.  
2002/0027092 A1 3/2002 Hu  
2004/0094444 A1 5/2004 Chen  
2004/0251153 A1 12/2004 Chen  
2005/0189250 A1 9/2005 Hsu  
2005/0247587 A1 11/2005 Holland-Letz  
2006/0260964 A1 11/2006 Feldmann  
2007/0023307 A1 2/2007 Liu  
2007/0095690 A1 5/2007 Nguy et al.  
2007/0163906 A1 7/2007 Crain  
2007/0228240 A1 10/2007 Kao  
2008/0110302 A1 5/2008 Liu  
2009/0236250 A1 9/2009 Wang  
2009/0242443 A1 10/2009 Chen  
2010/0108552 A1 5/2010 Scrimshaw et al.

## OTHER PUBLICATIONS

European Search Report dated Oct. 25, 2010 from counterpart European application.

Oct. 28, 2010 USPTO Office Action from related U.S. Appl. No. 12/789,158.

Apr. 18, 2011 USPTO Office Action from related U.S. Appl. No. 12/789,158.

Mar. 31, 2011 USPTO Office Action from related U.S. Appl. No. 12/605,600.

\* cited by examiner

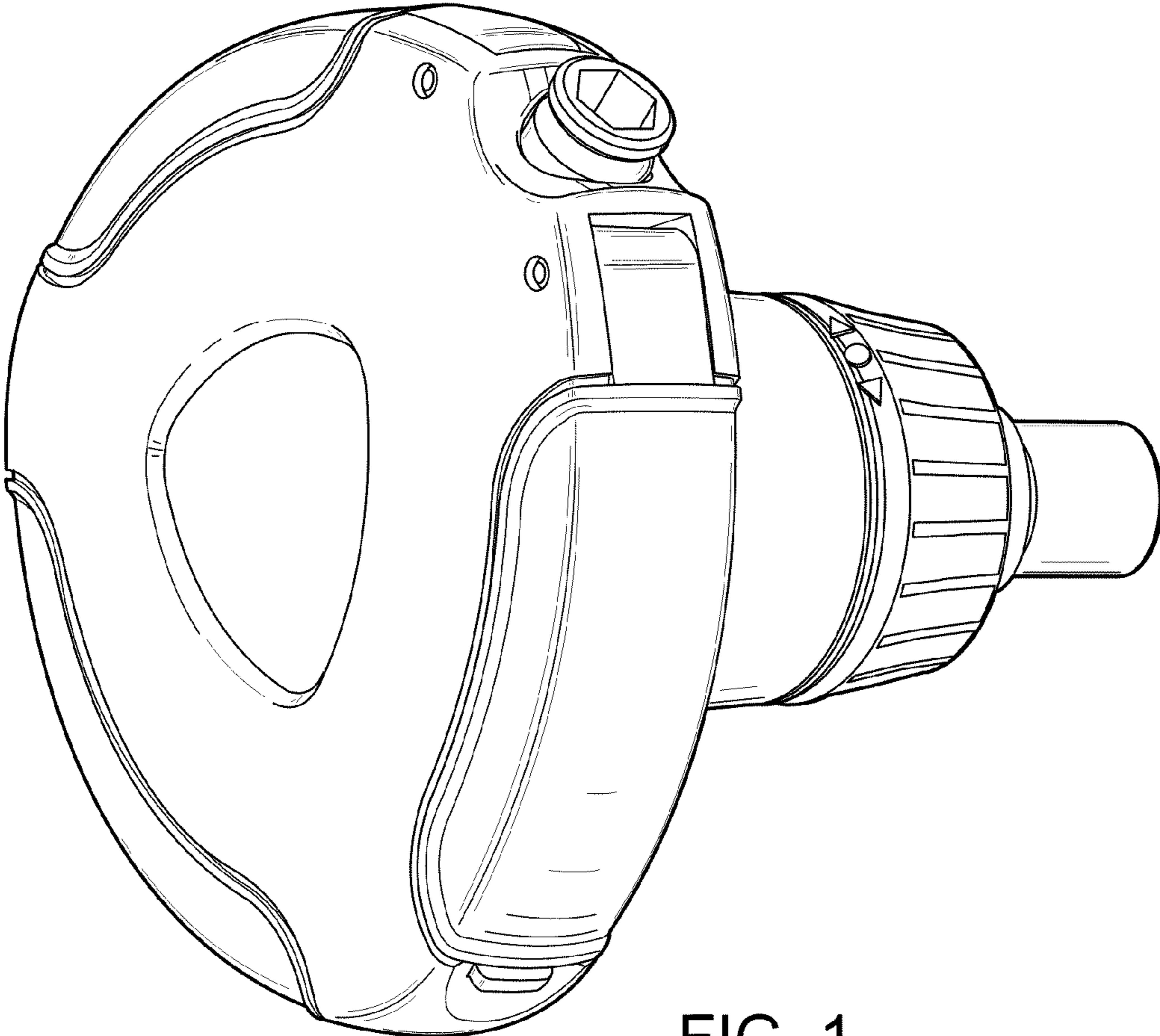


FIG. 1

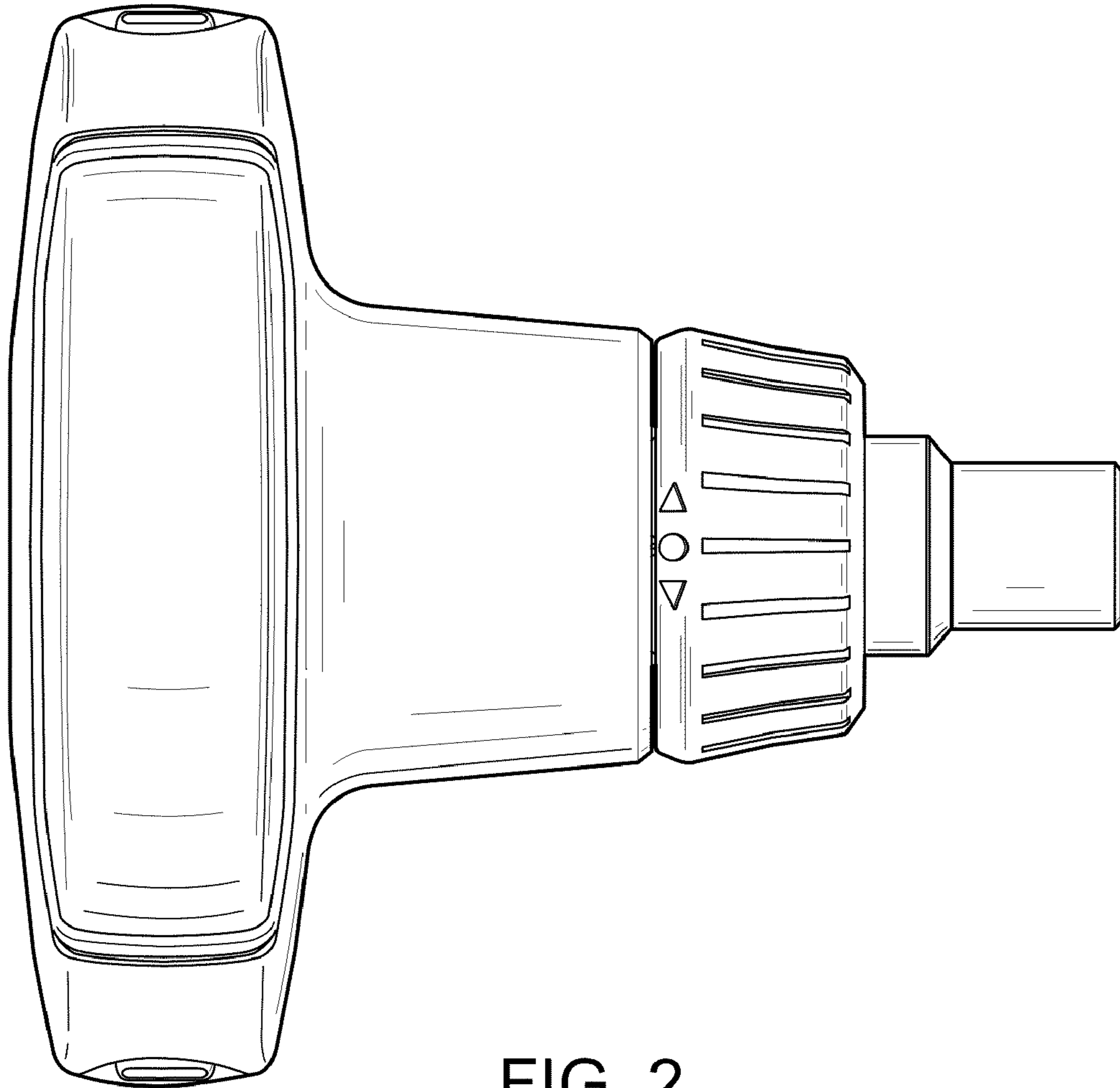


FIG. 2

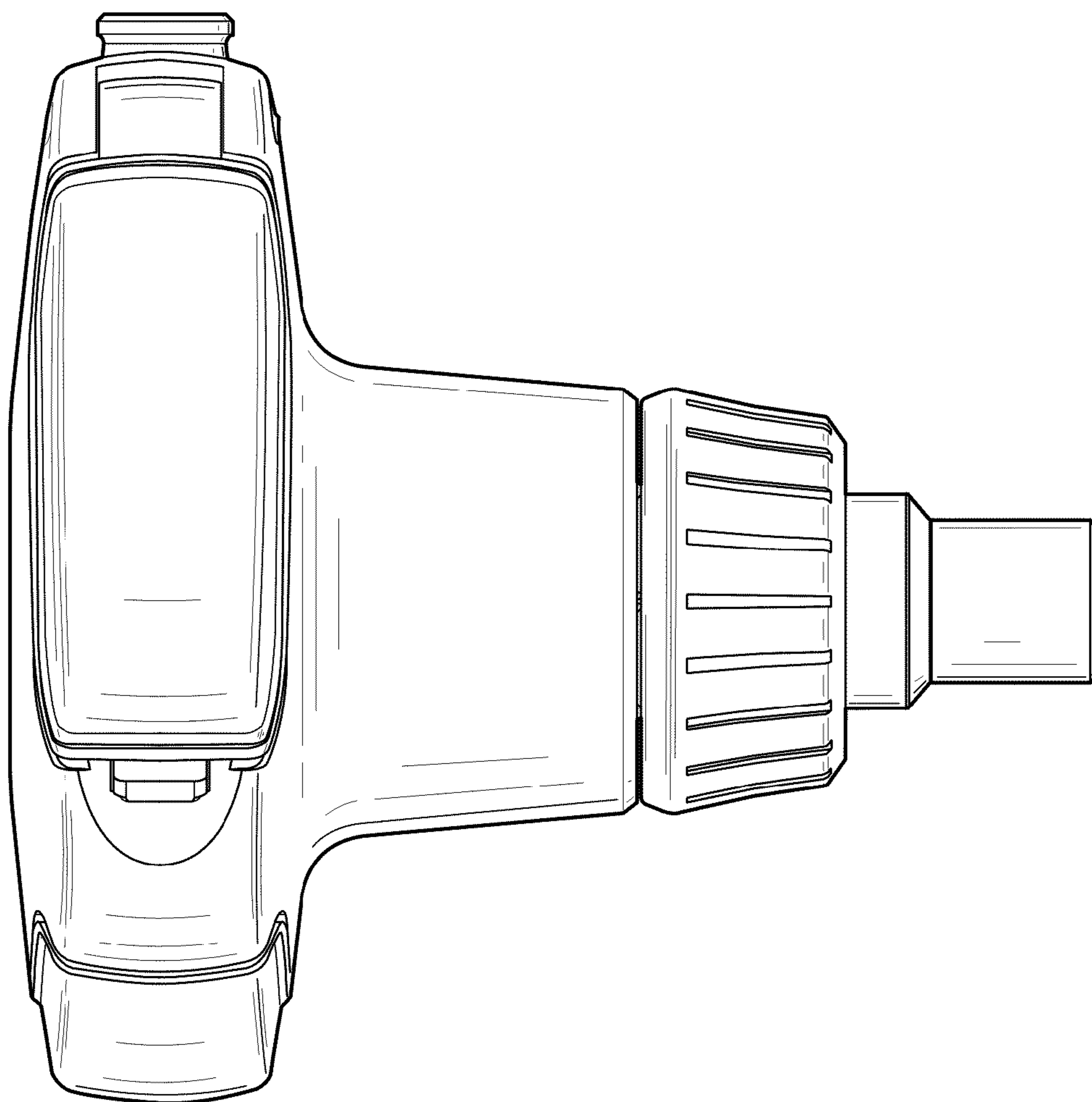


FIG. 3

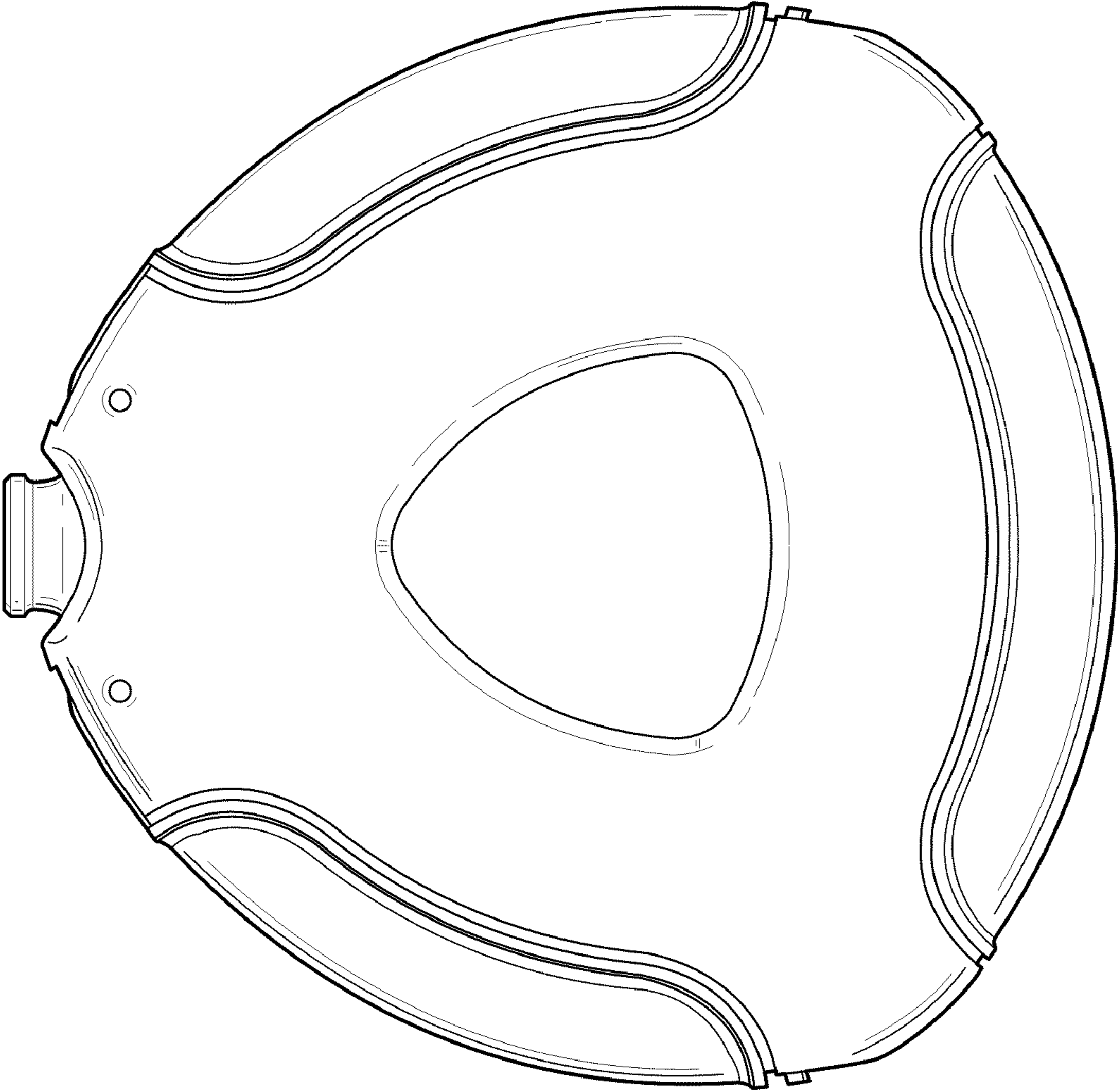


FIG. 4

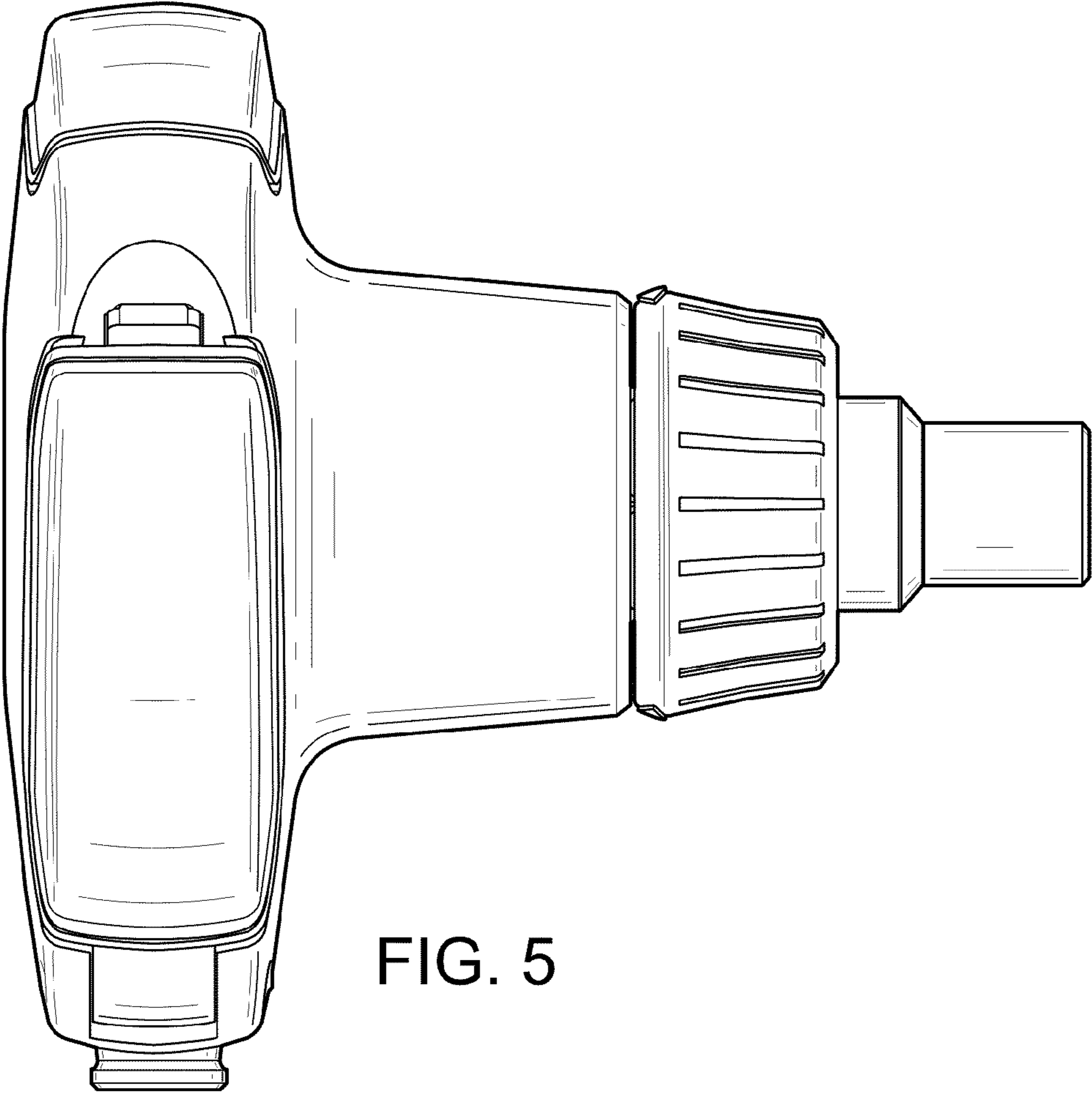


FIG. 5

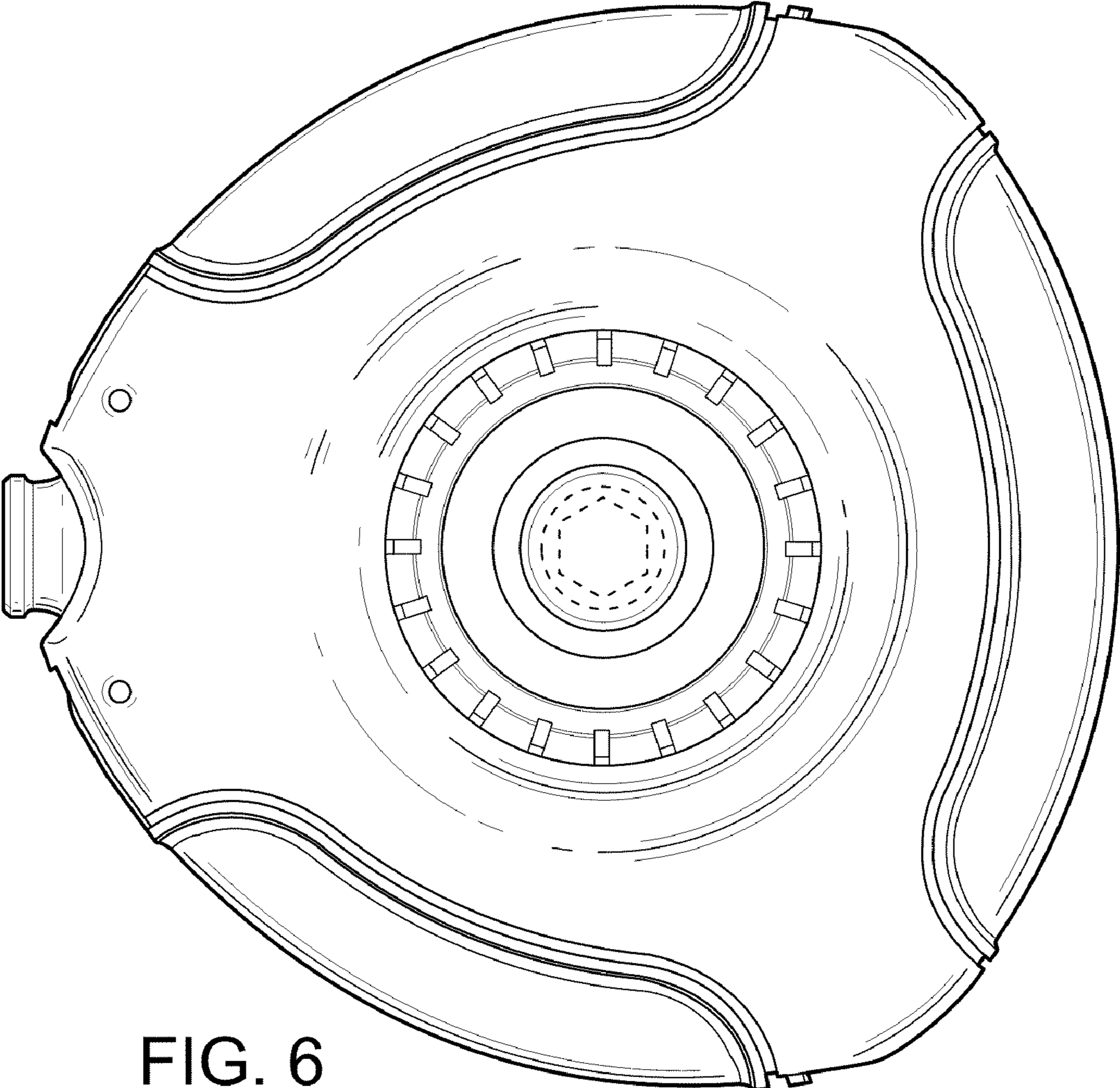


FIG. 6



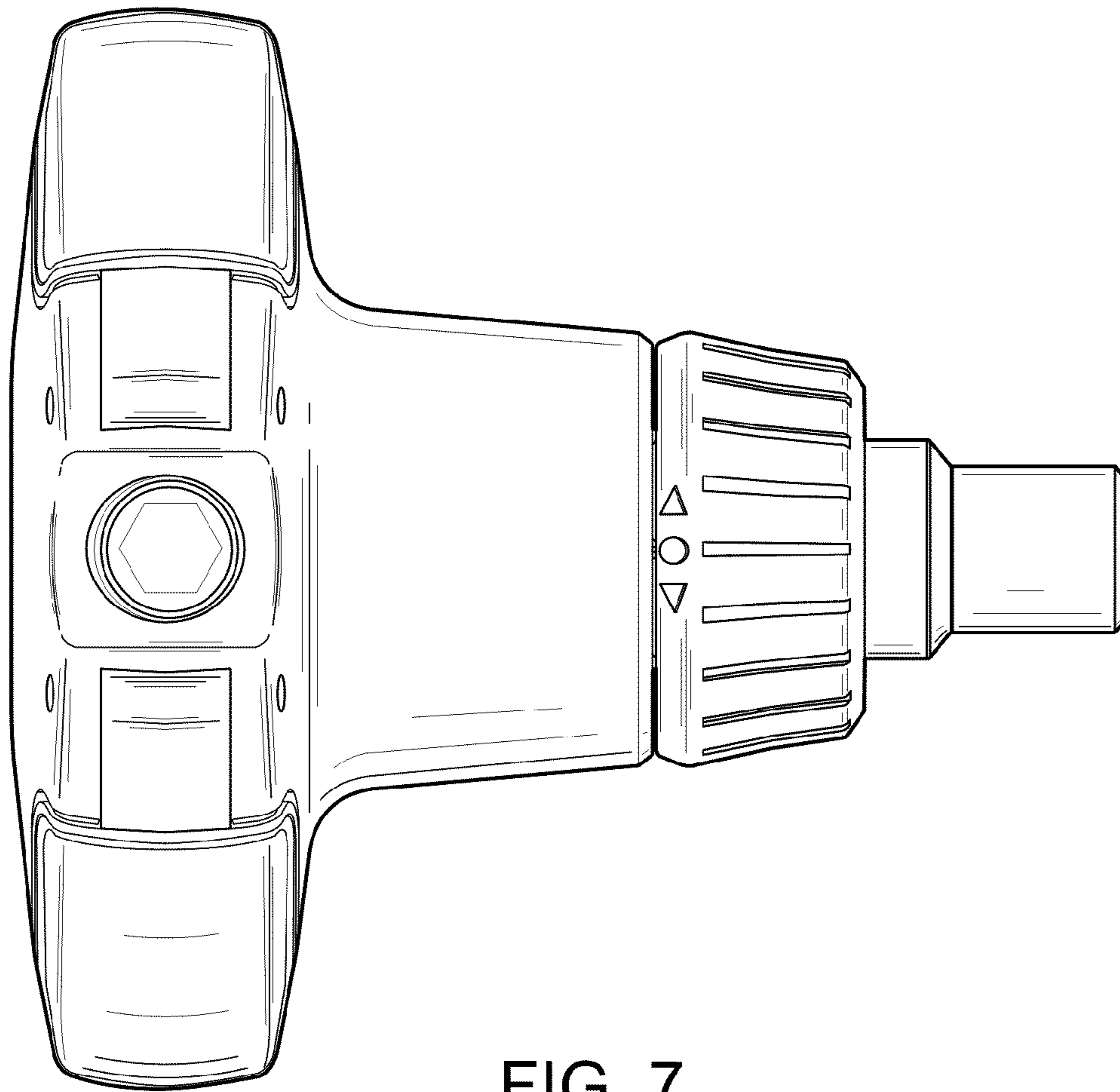


FIG. 7