



US00D644898S

(12) **United States Design Patent**
Okuda

(10) **Patent No.:** **US D644,898 S**
(45) **Date of Patent:** **** Sep. 13, 2011**

(54) **PORTABLE ELECTRIC GRINDER**

(75) Inventor: **Shinsuke Okuda, Anjo (JP)**

(73) Assignee: **Makita Corporation, Anjo-shi (JP)**

(**) Term: **14 Years**

(21) Appl. No.: **29/356,766**

(22) Filed: **Mar. 2, 2010**

(30) **Foreign Application Priority Data**

Oct. 20, 2009 (JP) 2009-024538

(51) **LOC (9) Cl.** **08-01**

(52) **U.S. Cl.** **D8/62**

(58) **Field of Classification Search** D8/67,
D8/62, 61, 64; D32/15, 17, 19; D4/102;
451/456, 451, 359, 358, 357, 356, 355, 354,
451/353, 351, 344; 30/392; 16/422, 430;
173/170

See application file for complete search history.

(56) **References Cited**

U.S. PATENT DOCUMENTS

D434,296 S *	11/2000	Ogasawara	D8/62
D494,827 S *	8/2004	Liu	D8/62
D521,833 S	5/2006	Okuda et al.		
D523,308 S *	6/2006	Corcoran	D8/62
D544,325 S *	6/2007	Wright	D8/62

D548,034 S *	8/2007	Hayakawa et al.	D8/62
D558,016 S *	12/2007	Aglassinger	D8/62
D567,610 S *	4/2008	Wright	D8/62
D581,759 S *	12/2008	Aglassinger	D8/62
D606,828 S *	12/2009	Misaki	D8/62
D609,542 S *	2/2010	Misaki et al.	D8/62
D632,152 S *	2/2011	Okuda	D8/62
D632,939 S *	2/2011	Misaki	D8/62

* cited by examiner

Primary Examiner — Austin Murphy

(74) *Attorney, Agent, or Firm* — Oliff & Berridge, PLC

(57) **CLAIM**

The ornamental design for a portable electric grinder, as shown and described.

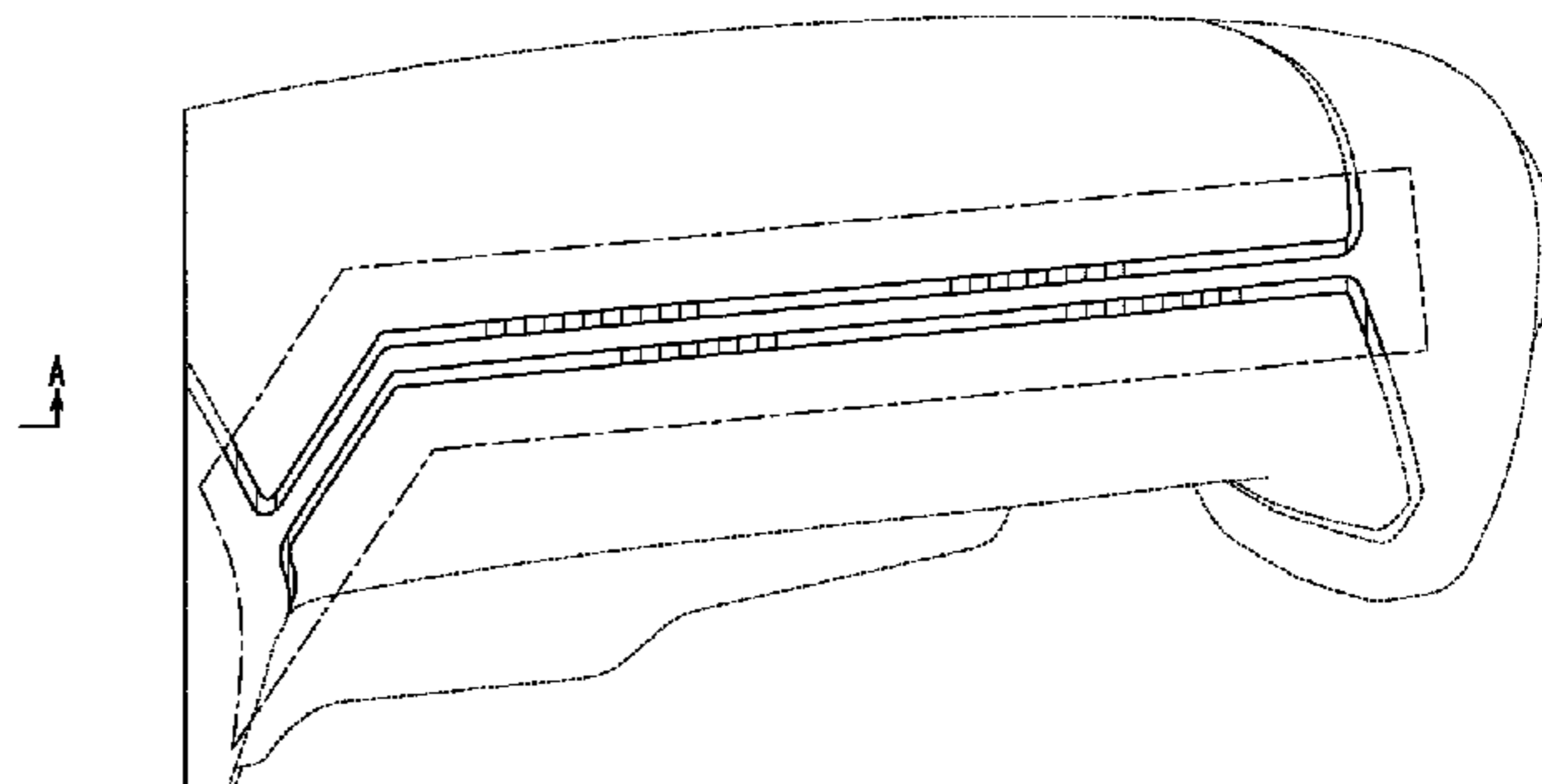
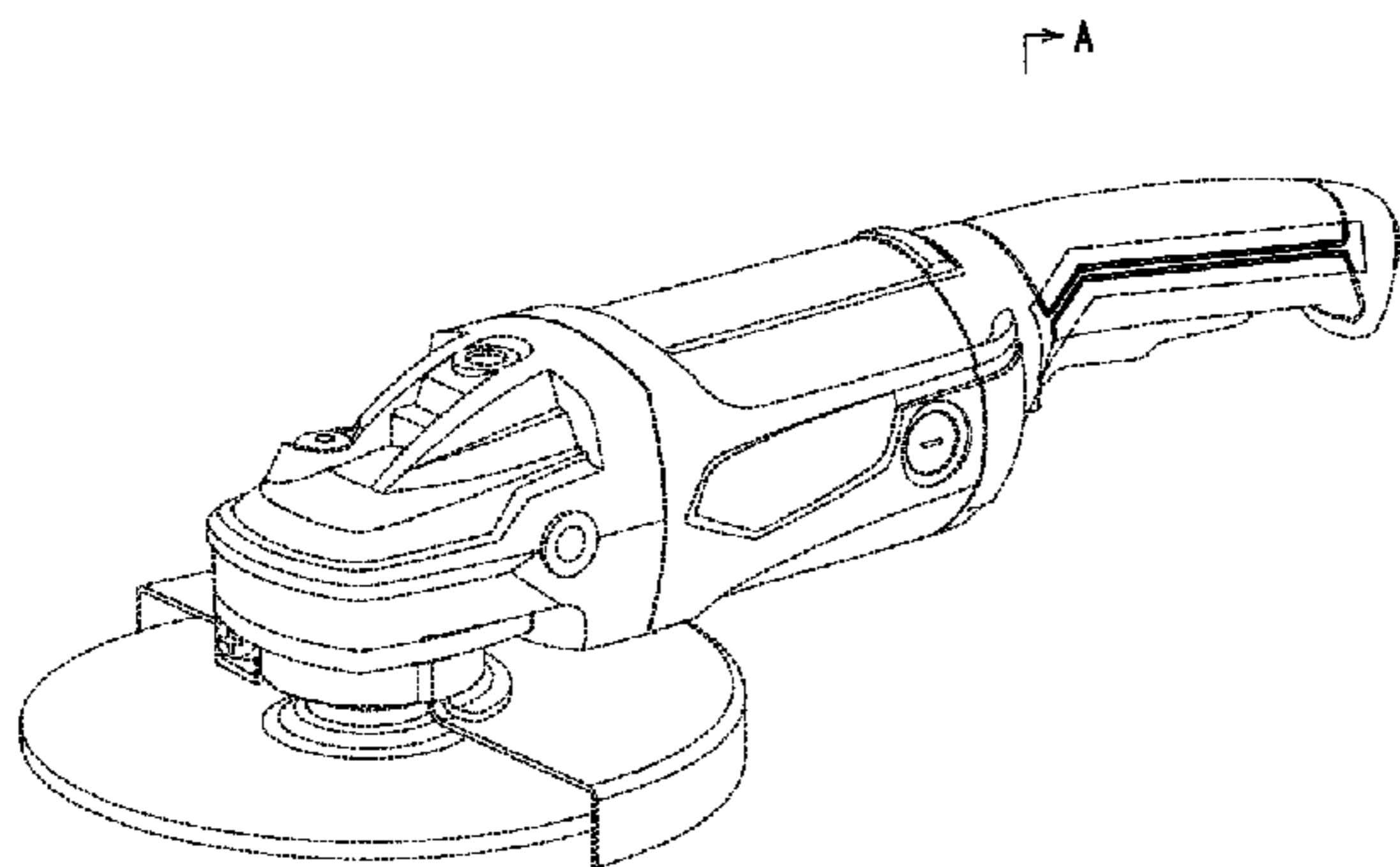
DESCRIPTION

FIG. 1 is a perspective view of a portable electric grinder showing our new design;
FIG. 2 is a front view thereof;
FIG. 3 is a rear view thereof;
FIG. 4 is a left-side view thereof;
FIG. 5 is a right-side view thereof;
FIG. 6 is a top plan view thereof;
FIG. 7 is a bottom plan view thereof; and,
FIG. 8 is a partially enlarged view thereof taken along lines A-A in FIG. 1.

The broken lines depict environmental subject matter only and form no part of the claimed design.

The dot-chain lines illustrate a border of the claimed subject matter and form no part of the claimed design.

1 Claim, 7 Drawing Sheets



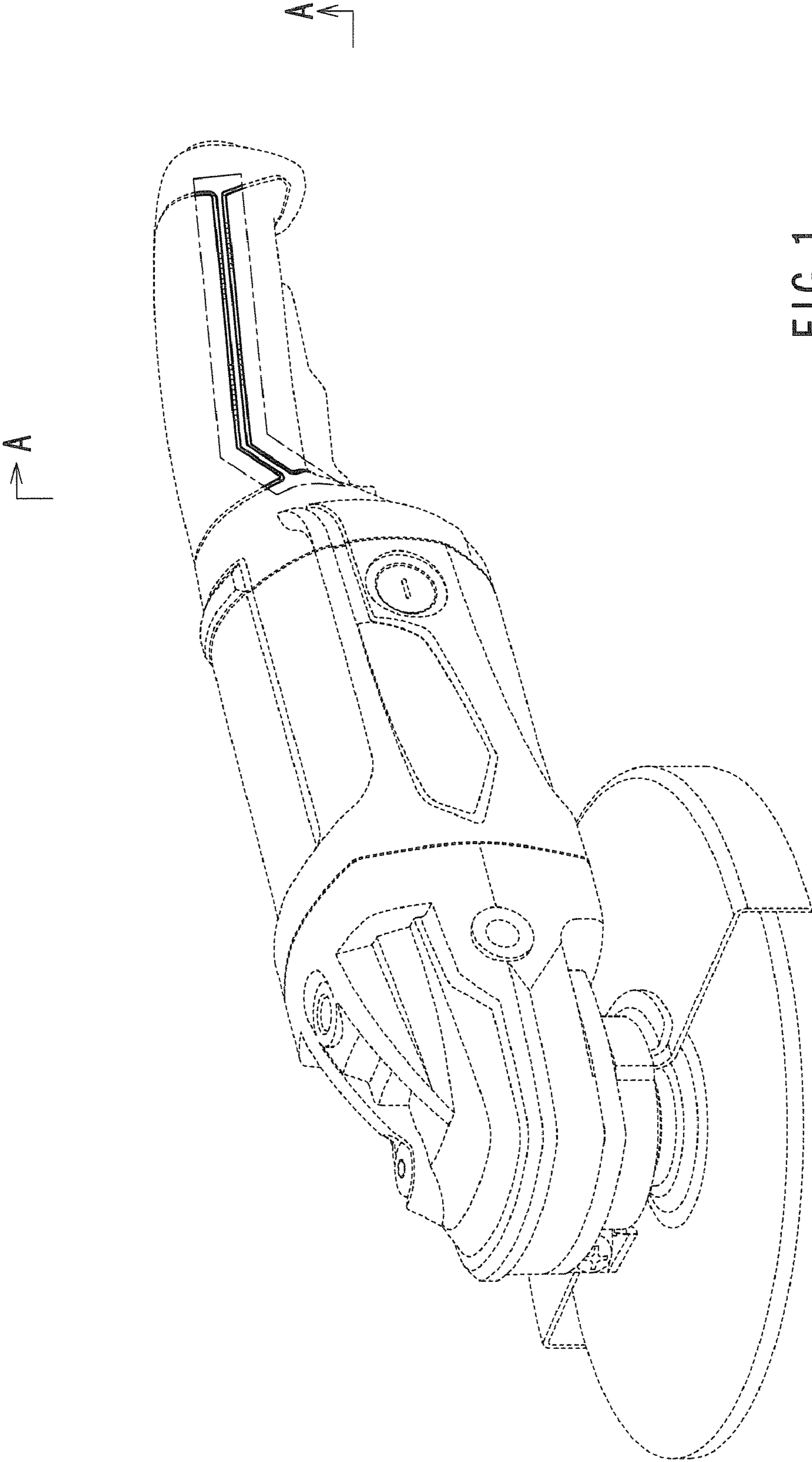


FIG. 1

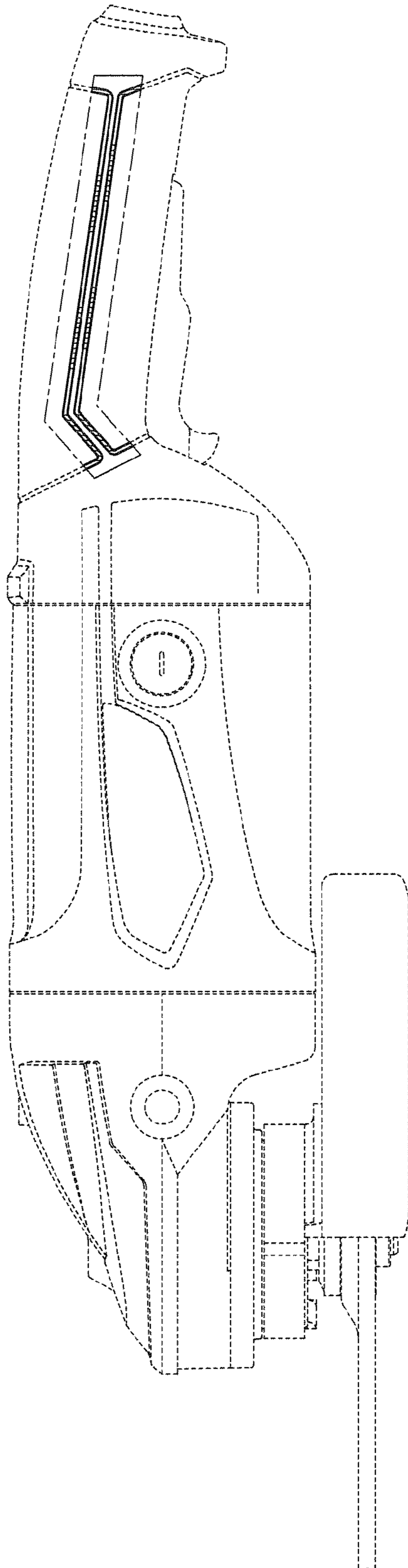


FIG. 2

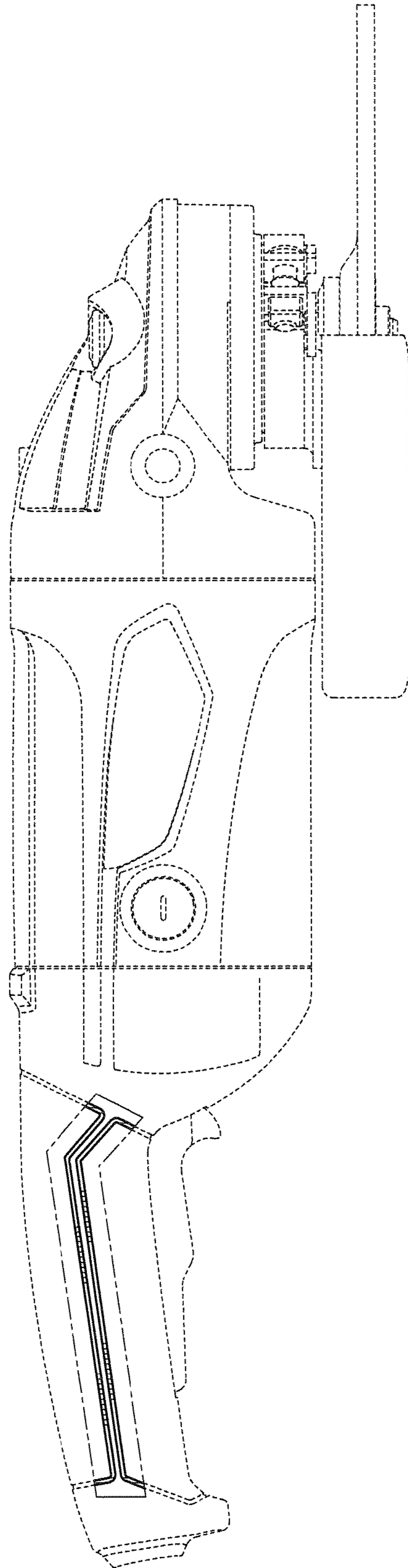


FIG. 3

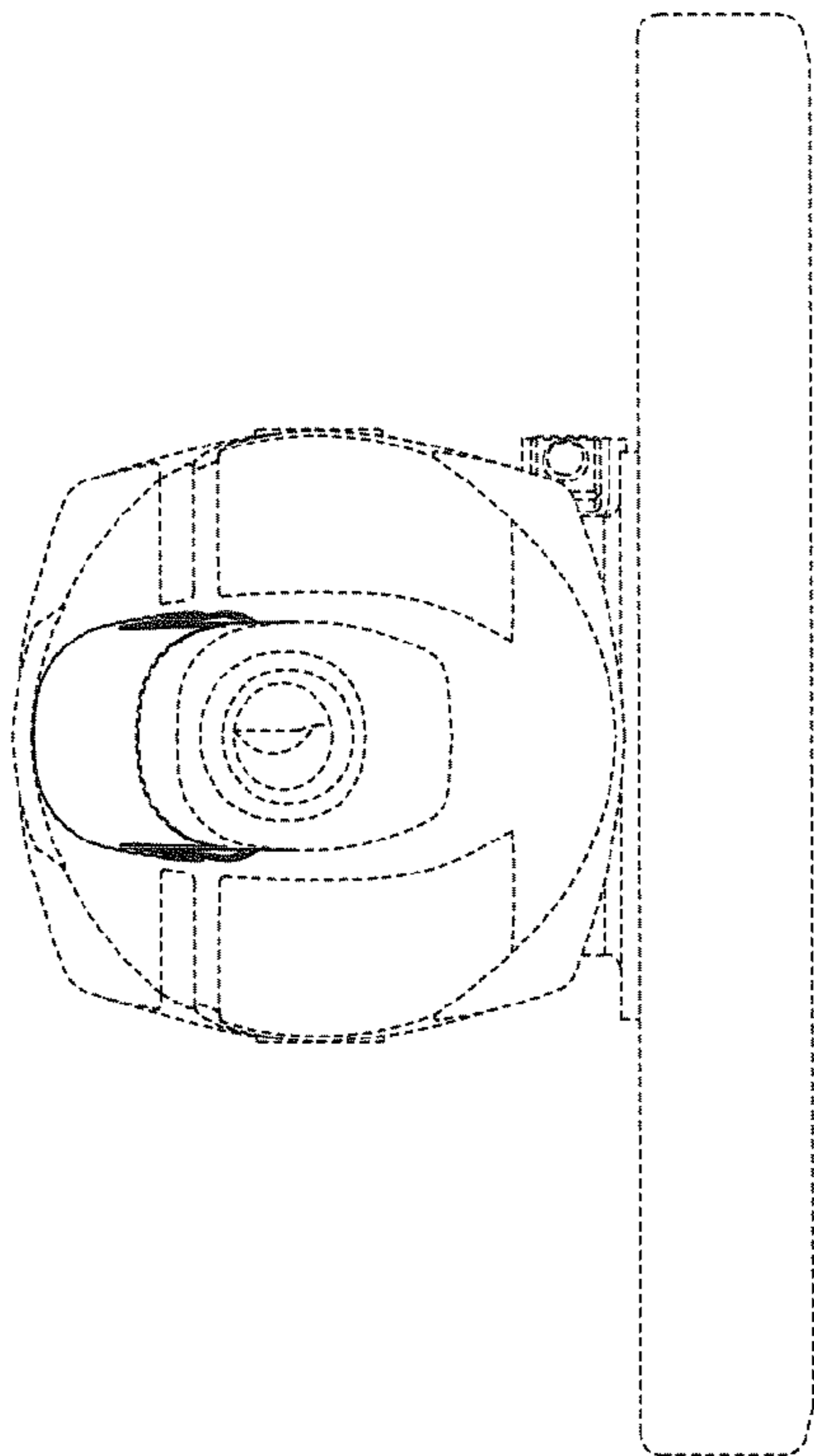


FIG. 5

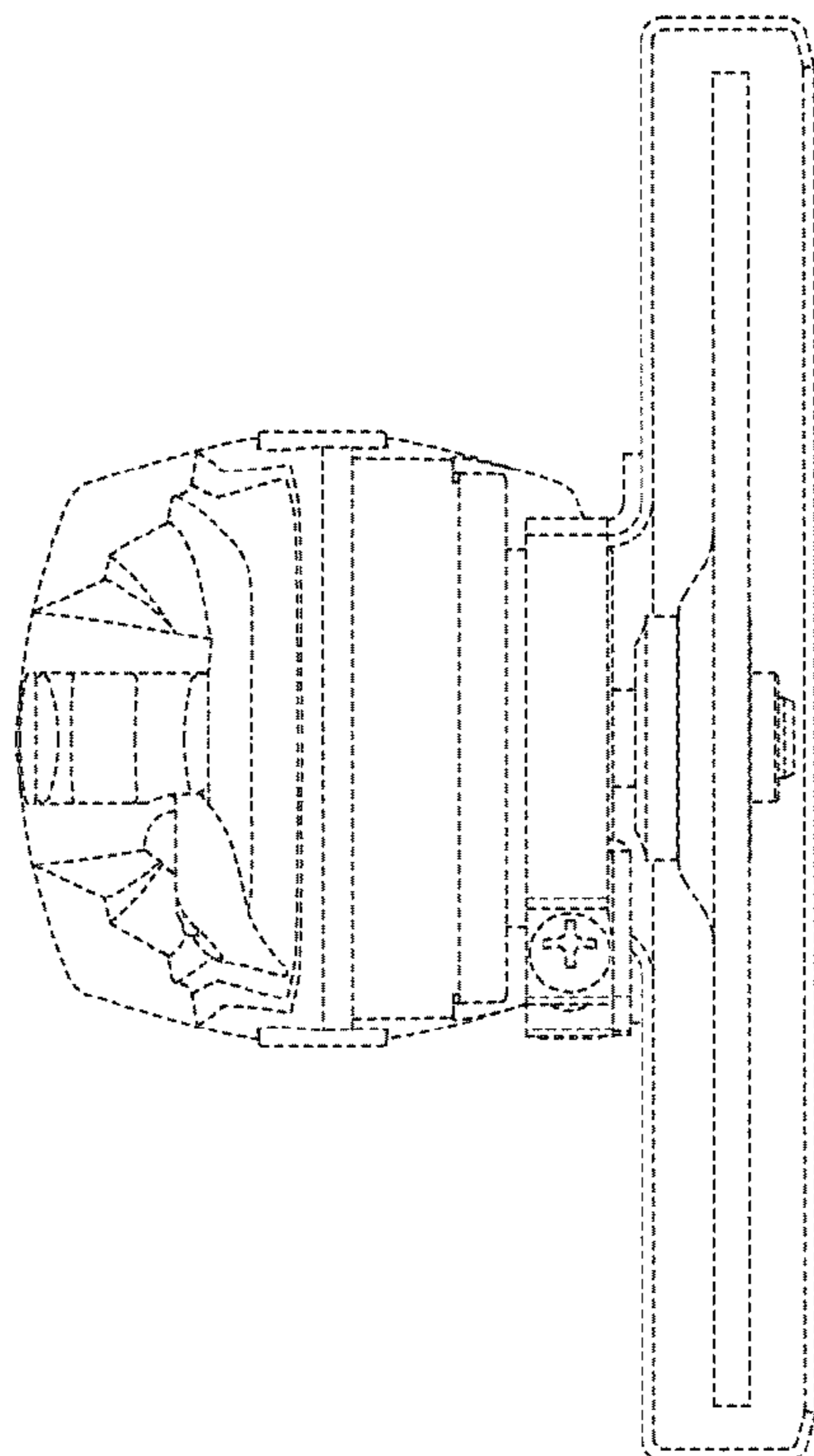


FIG. 4

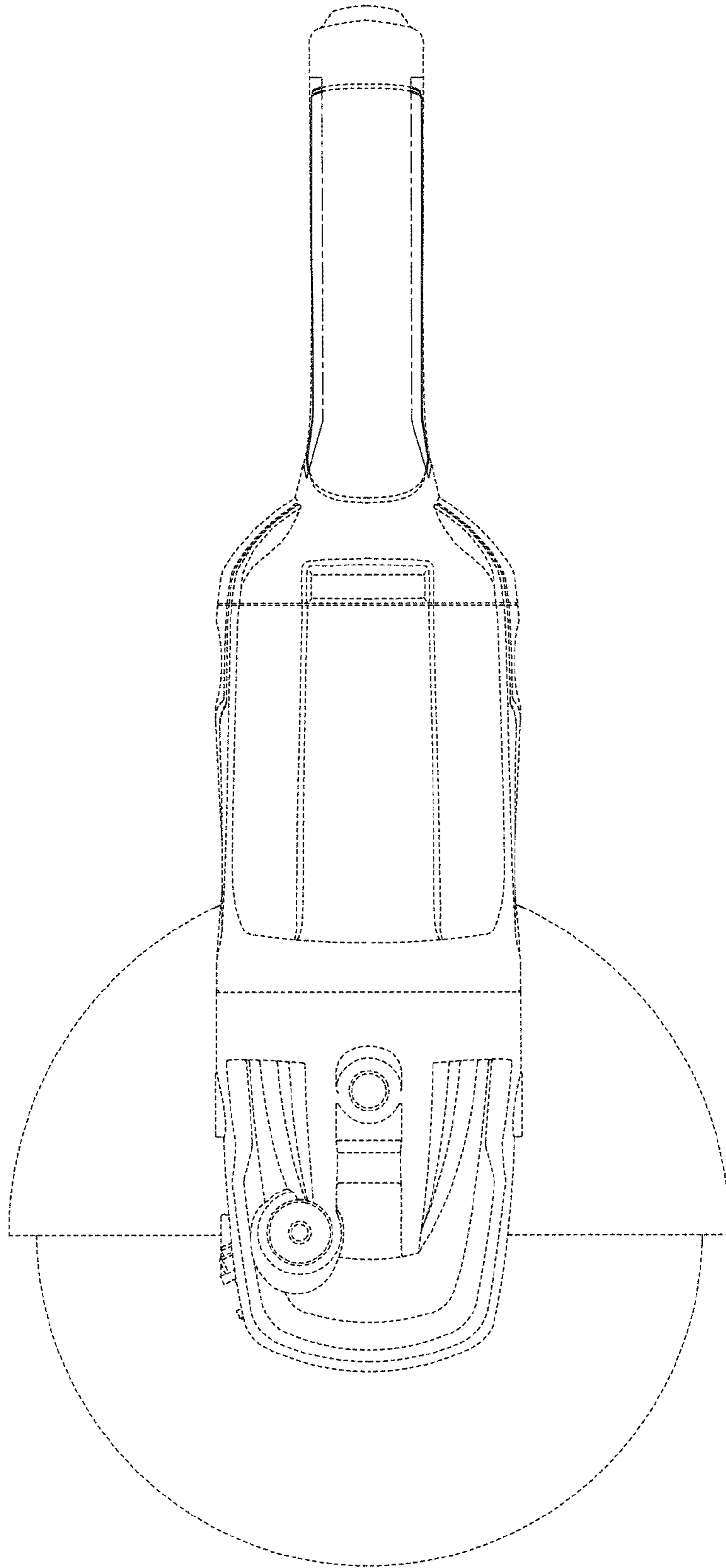


FIG. 6

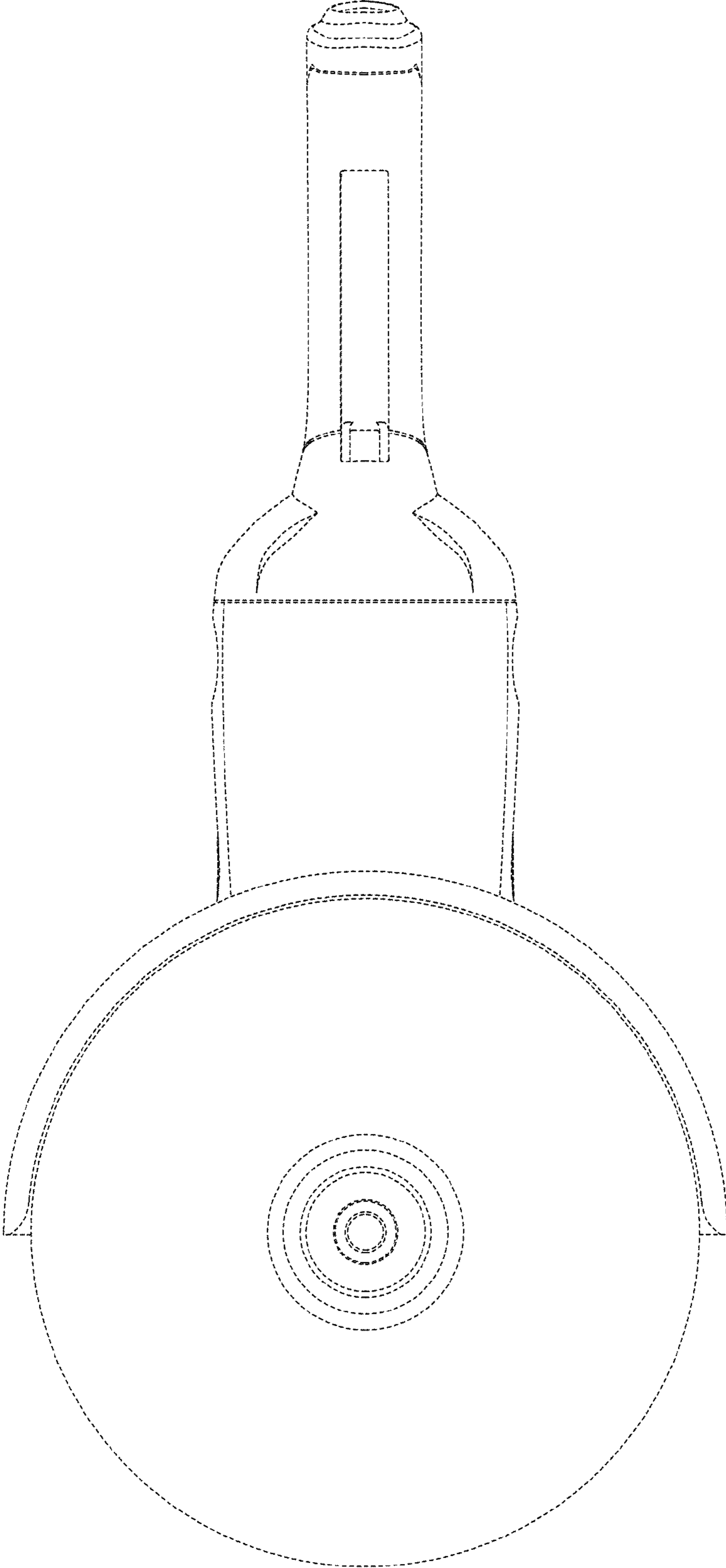


FIG. 7

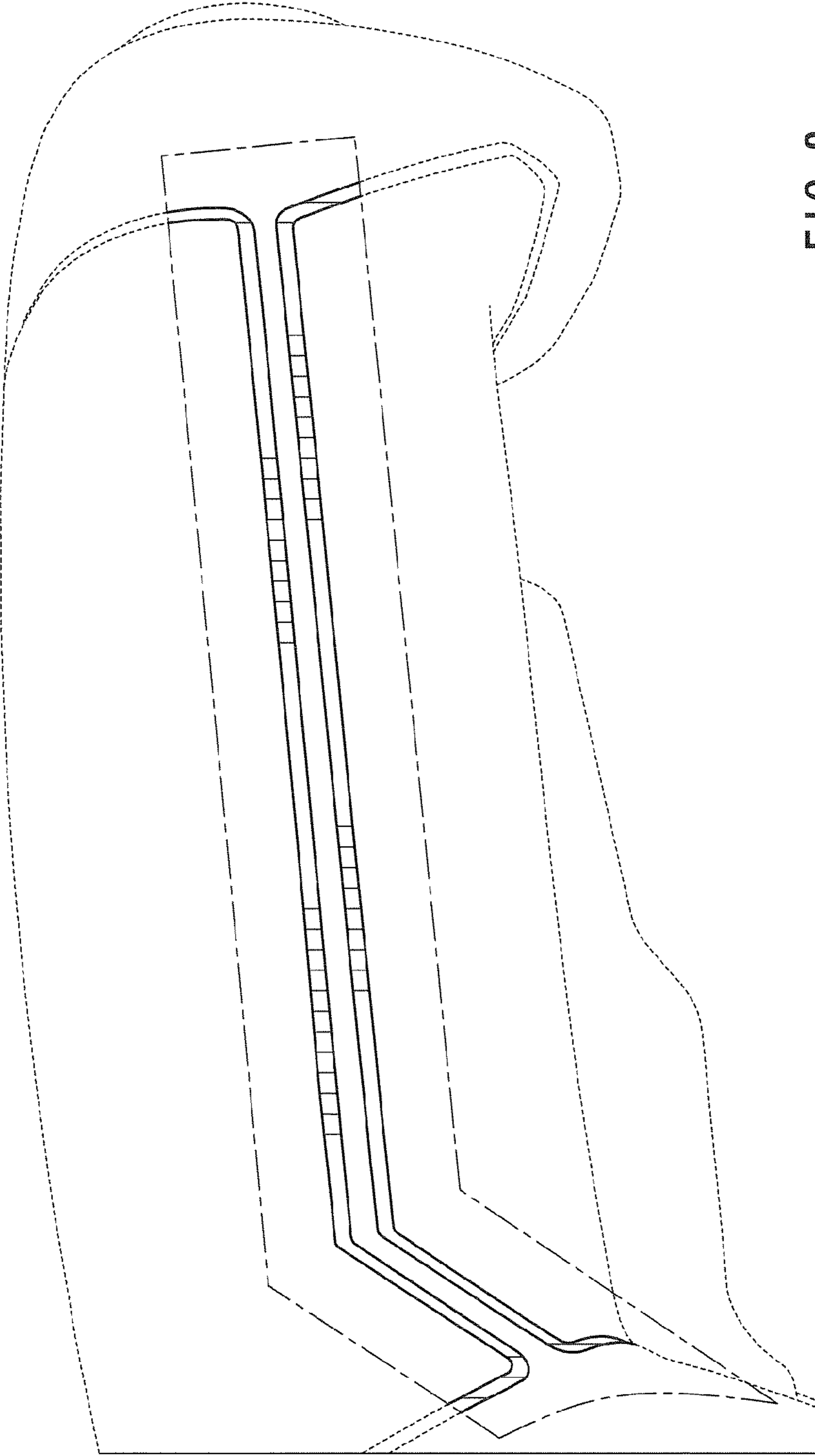


FIG. 8