



US00D644893S

(12) **United States Design Patent**  
**Jossem et al.**

(10) **Patent No.:** **US D644,893 S**

(45) **Date of Patent:** **\*\* Sep. 13, 2011**

(54) **SPOON-SHAPED MASHING UTENSIL**

(75) Inventors: **Adam A. Jossem**, Seattle, WA (US);  
**David A. Holcomb**, Seattle, WA (US)

(73) Assignee: **Chef'n Corporation**, Seattle, WA (US)

(\*\*) Term: **14 Years**

(21) Appl. No.: **29/368,980**

(22) Filed: **Aug. 31, 2010**

(51) **LOC (9) Cl.** ..... **07-04**

(52) **U.S. Cl.** ..... **D7/682**

(58) **Field of Classification Search** ..... D7/653,  
D7/662, 663, 664, 368, 667, 682, 688, 690,  
D7/691, 692, 412, 693; 294/55, 55.5; 241/169.2,  
241/168; 30/322, 323, 324, 325, 327, 328;  
366/129; 452/102, 141, 143, 146  
See application file for complete search history.

(56) **References Cited**

**U.S. PATENT DOCUMENTS**

D29,621 S *	11/1898	Pitts	.....	D7/688
D58,223 S *	6/1921	Goldsmith	.....	D7/682
D108,028 S *	1/1938	Jackson	.....	D7/682
D164,380 S *	8/1951	Packer	.....	D7/682
2,659,403 A *	11/1953	Jones	.....	241/169.2
2,714,909 A *	8/1955	Bryn	.....	241/166
2,726,696 A *	12/1955	Filthuth	.....	241/169.2
D202,916 S *	11/1965	Bliss	.....	D7/692
D203,858 S *	2/1966	Hvale	.....	D7/682
D205,538 S *	8/1966	Letham	.....	D7/682
D206,926 S *	2/1967	Lurski	.....	D7/682
D207,114 S *	3/1967	Latham	.....	D7/692
D207,195 S *	3/1967	Latham	.....	D7/682
3,865,317 A *	2/1975	Brehm	.....	241/169.2
D255,636 S *	7/1980	Kelly	.....	D7/682
D272,405 S *	1/1984	Steiner	.....	D7/692

D291,761 S *	9/1987	Hoehne	.....	D7/682
D398,196 S *	9/1998	Proshan	.....	D7/688
D425,763 S *	5/2000	Begley et al.	.....	D7/682
D437,747 S *	2/2001	Kwok	.....	D7/682
D443,185 S *	6/2001	Kaposi	.....	D7/682
D443,802 S *	6/2001	Kaposi	.....	D7/692
D476,536 S *	7/2003	Levien et al.	.....	D7/682
D487,677 S *	3/2004	Overthun et al.	.....	D7/682
D489,584 S *	5/2004	Cohen et al.	.....	D7/692
D507,725 S *	7/2005	White et al.	.....	D7/692
D534,043 S *	12/2006	Plunkett	.....	D7/682
D542,103 S *	5/2007	Yu et al.	.....	D7/692
D588,420 S *	3/2009	Waldman et al.	.....	D7/692
D593,818 S *	6/2009	Eide et al.	.....	D7/682
D627,200 S *	11/2010	Rothman	.....	D7/692
D629,250 S *	12/2010	Finell et al.	.....	D7/401.2

\* cited by examiner

*Primary Examiner* — Stella Reid

*Assistant Examiner* — Elizabeth J Oswecki

(74) *Attorney, Agent, or Firm* — Seed IP Law Group PLLC

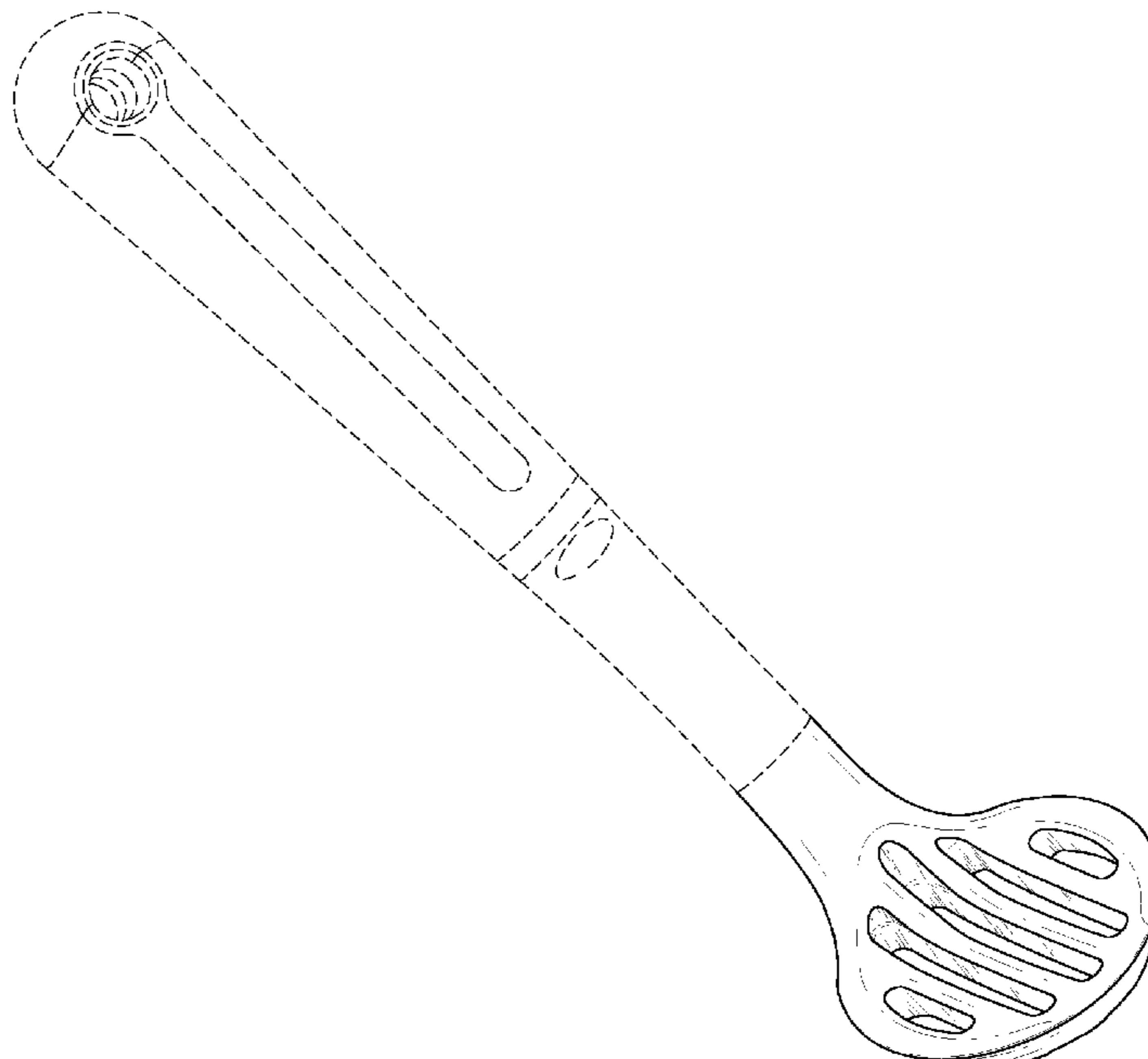
(57) **CLAIM**

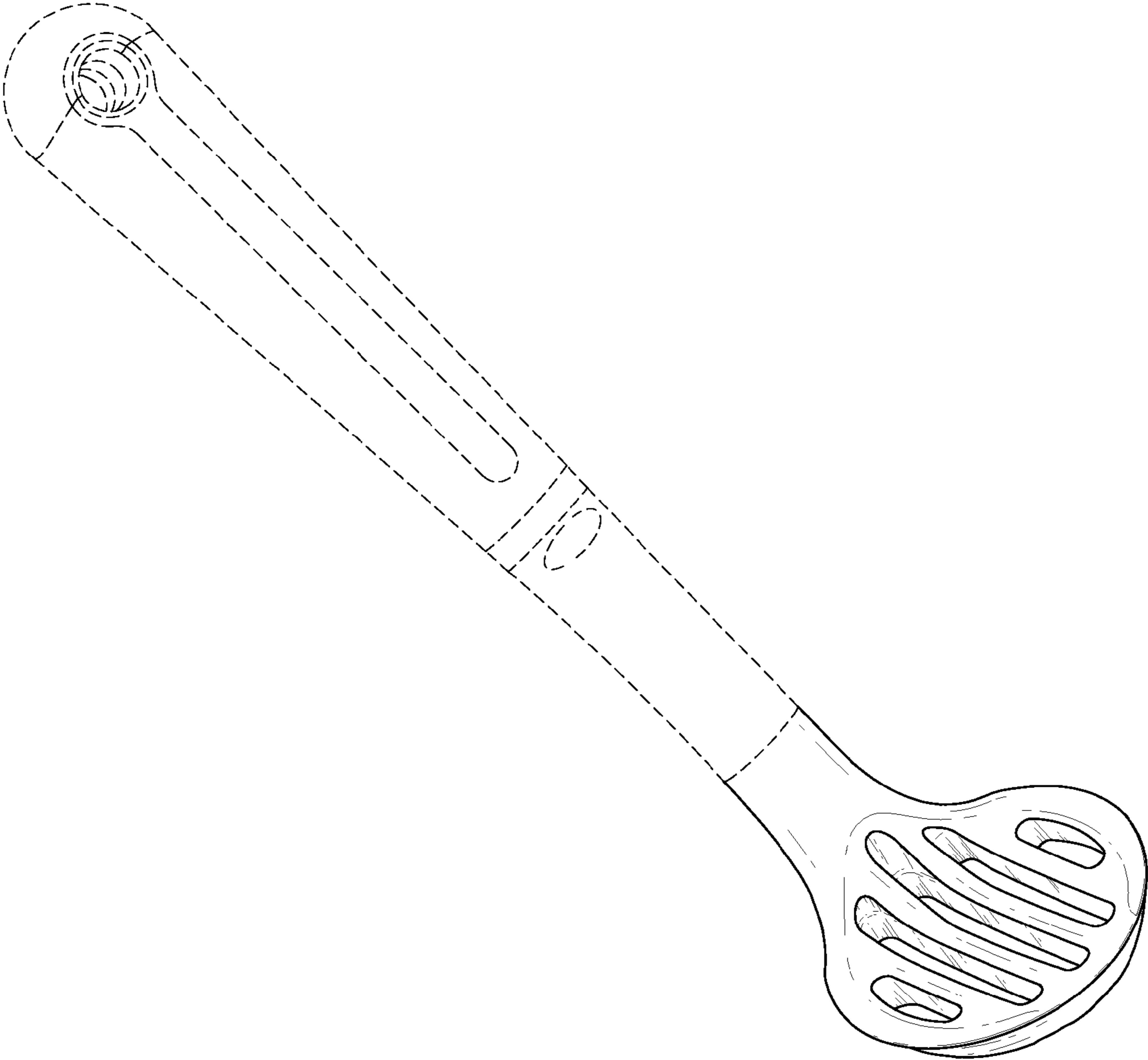
The ornamental design for a spoon-shaped mashing utensil, as shown and described.

**DESCRIPTION**

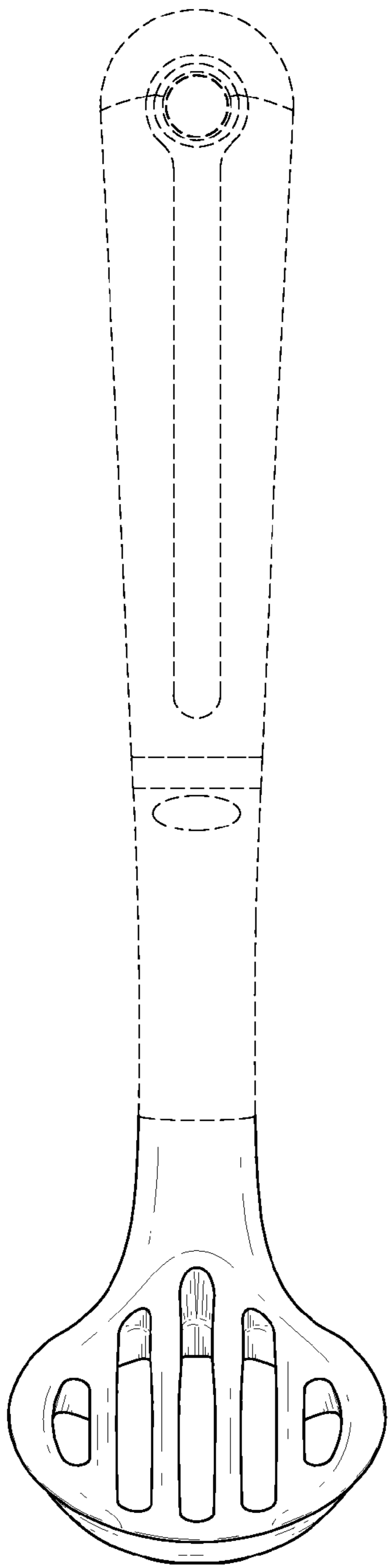
FIG. 1 is a front perspective view of a spoon-shaped mashing utensil showing our new design.  
FIG. 2 is a front elevational view thereof.  
FIG. 3 is a rear elevational view thereof.  
FIG. 4 is a right side elevational view thereof.  
FIG. 5 is a left side elevational view thereof.  
FIG. 6 is a top plan view thereof; and,  
FIG. 7 bottom plan view thereof.  
The broken lines in the figures are for illustrative purposes only and form no part of the claimed design.

**1 Claim, 4 Drawing Sheets**

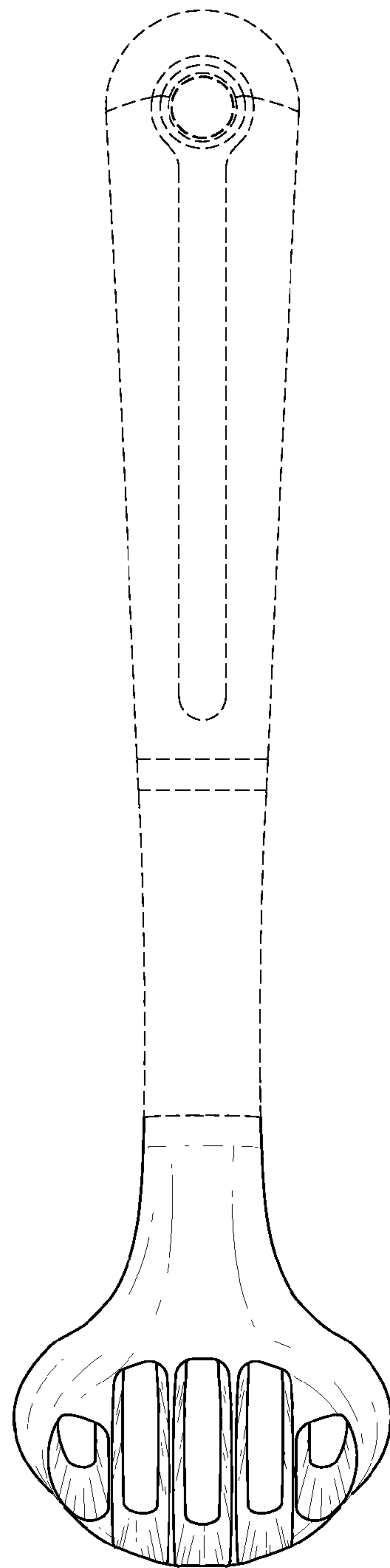




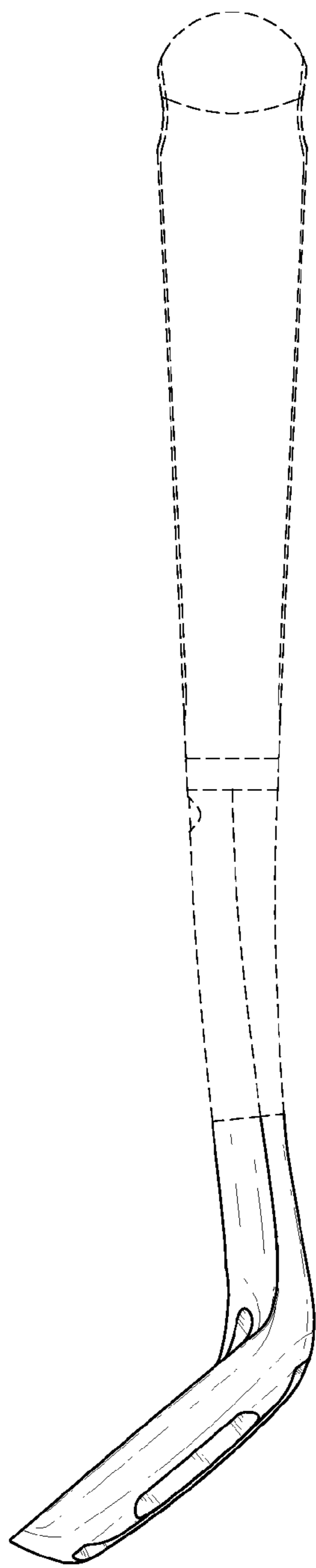
*FIG. 1*



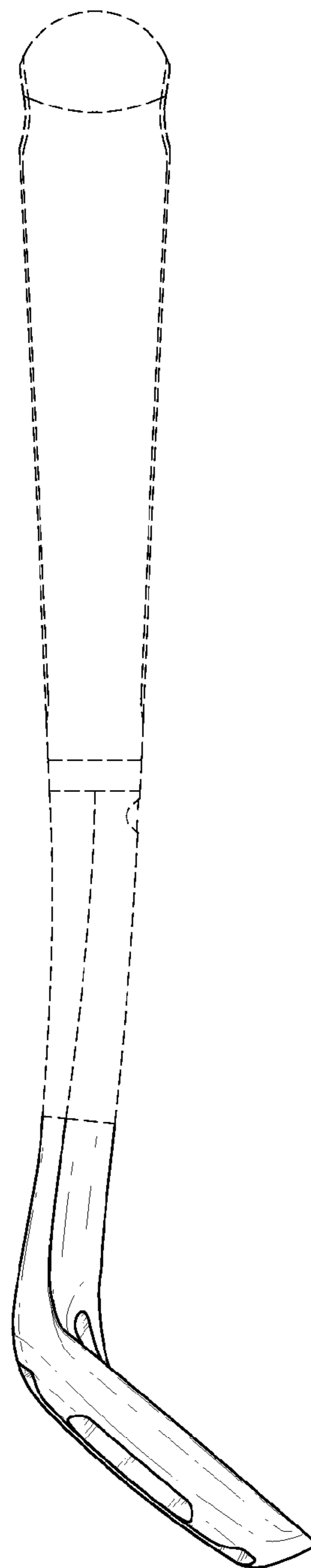
*FIG. 2*



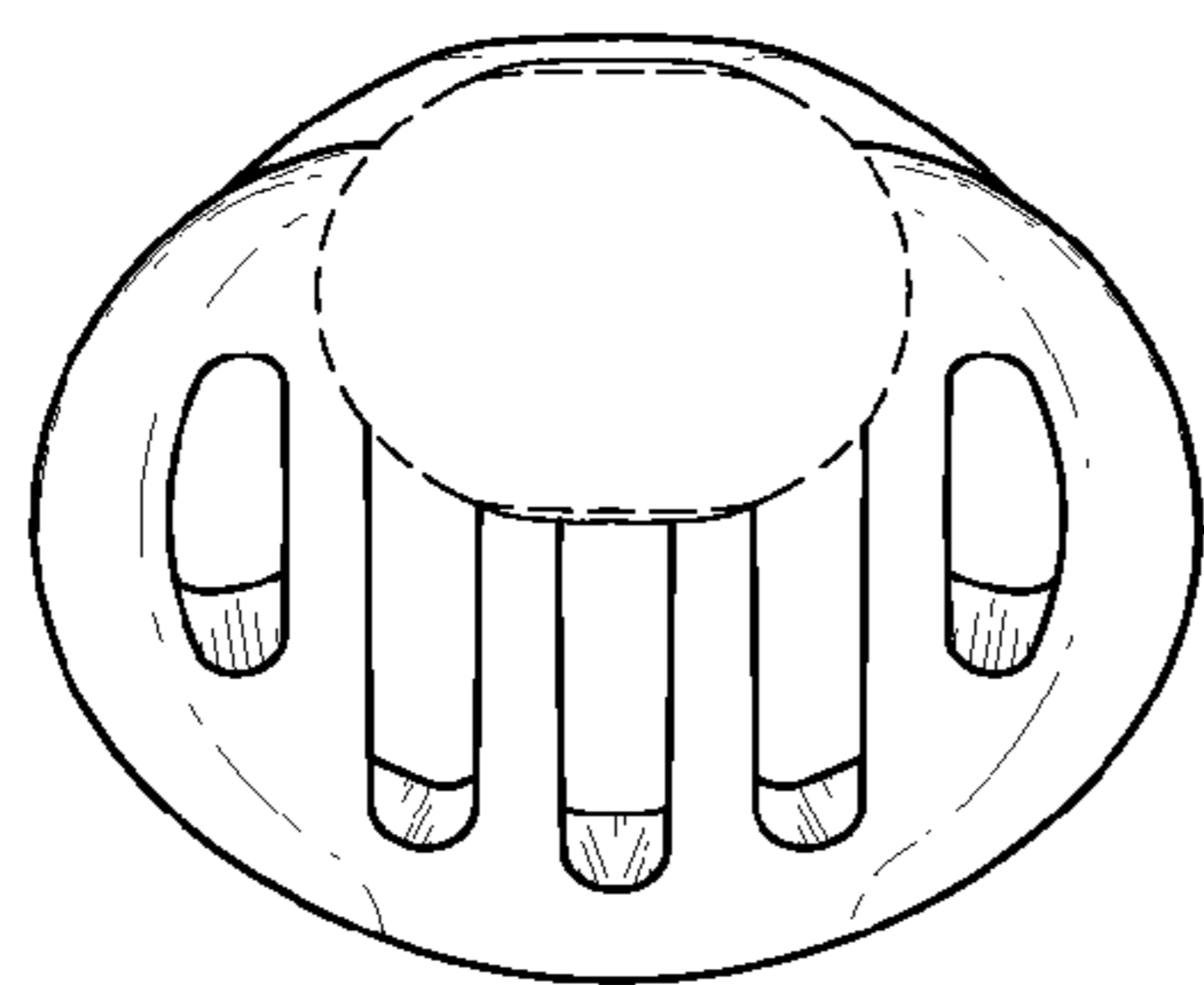
*FIG. 3*



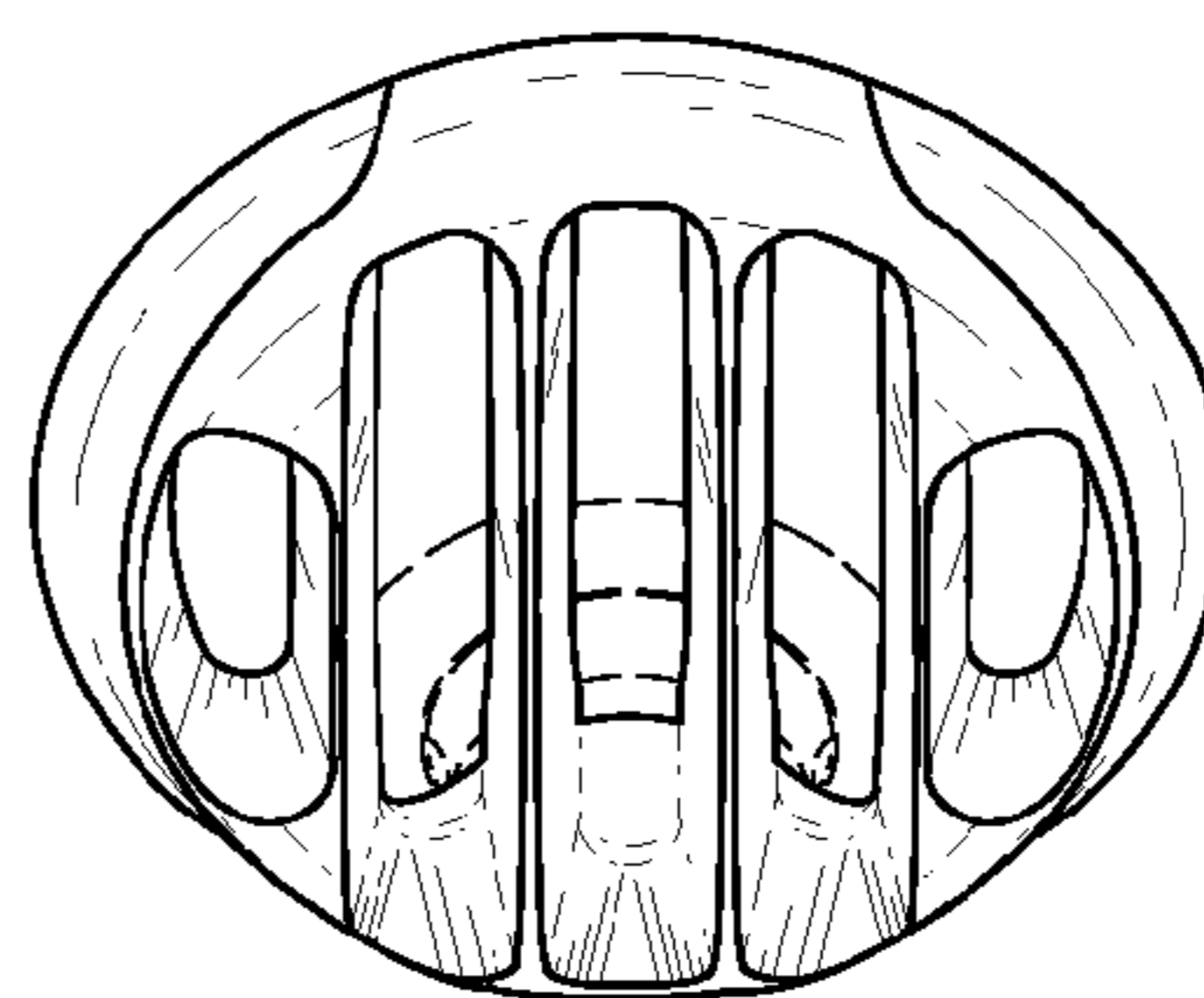
*FIG. 4*



*FIG. 5*



*FIG. 6*



*FIG. 7*