



US00D644890S

(12) **United States Design Patent**  
**Meyer**

(10) **Patent No.:** **US D644,890 S**

(45) **Date of Patent:** **\*\* Sep. 13, 2011**

(54) **BEVERAGE CASE COOLIE**

(75) Inventor: **Ryan Meyer**, McAllen, TX (US)

(73) Assignee: **Kolder, Inc.**, Kaufman, TX (US)

(\*\*) Term: **14 Years**

(21) Appl. No.: **29/362,920**

(22) Filed: **Jun. 2, 2010**

(51) **LOC (9) Cl.** ..... **07-01**

(52) **U.S. Cl.** ..... **D7/607**

(58) **Field of Classification Search** ..... D7/601,  
D7/602, 605, 606, 607, 629; 62/457.1-457.9,  
62/371, 372; 215/13.1; 220/592.2, 592.24,  
220/592.25, 592.26, 592.27, 62.11, 62.12,  
220/600, 608, 660, 669

See application file for complete search history.

(56) **References Cited**

**U.S. PATENT DOCUMENTS**

2,123,031	A	*	7/1938	Weiner	.....	220/592.16
3,031,121	A	*	4/1962	Chase	.....	383/13
D243,637	S	*	3/1977	Rabinowitz	.....	D7/607
D285,158	S	*	8/1986	Combs et al.	.....	D7/607
4,805,776	A	*	2/1989	Namgyal et al.	.....	206/523
D311,300	S	*	10/1990	Anderson	.....	D7/605
D340,387	S	*	10/1993	Melk	.....	D7/607
D340,621	S	*	10/1993	Melk	.....	D7/607
D347,971	S	*	6/1994	Krugman	.....	D7/607
D371,942	S	*	7/1996	Lippincott et al.	.....	D7/607
D373,514	S	*	9/1996	Melk	.....	D7/607
D373,515	S	*	9/1996	Melk	.....	D7/607
D382,771	S	*	8/1997	Mogil	.....	D7/607
D387,249	S	*	12/1997	Mogil	.....	D7/607
D398,191	S	*	9/1998	Melk	.....	D7/607
D422,555	S	*	4/2000	Bergh	.....	D12/423
D432,871	S	*	10/2000	Nottingham et al.	.....	D7/607
D497,518	S	*	10/2004	Bellofatto et al.	.....	D7/607
D512,274	S	*	12/2005	Cabey	.....	D7/607
D515,362	S	*	2/2006	Chan	.....	D7/607

D521,324	S	*	5/2006	Pittaluga	.....	D7/607
D552,427	S	*	10/2007	Montgomery	.....	D7/607
D575,059	S	*	8/2008	Cappiello et al.	.....	D3/283
D607,697	S	*	1/2010	Whitlock et al.	.....	D7/607
D608,601	S	*	1/2010	Whitlock et al.	.....	D7/607
D619,423	S	*	7/2010	Koehler et al.	.....	D7/607
D619,854	S	*	7/2010	Koehler et al.	.....	D7/607

\* cited by examiner

*Primary Examiner* — Stella Reid

*Assistant Examiner* — Elizabeth J Oswecki

(74) *Attorney, Agent, or Firm* — Scott T. Griggs; Griggs Bergen LLP

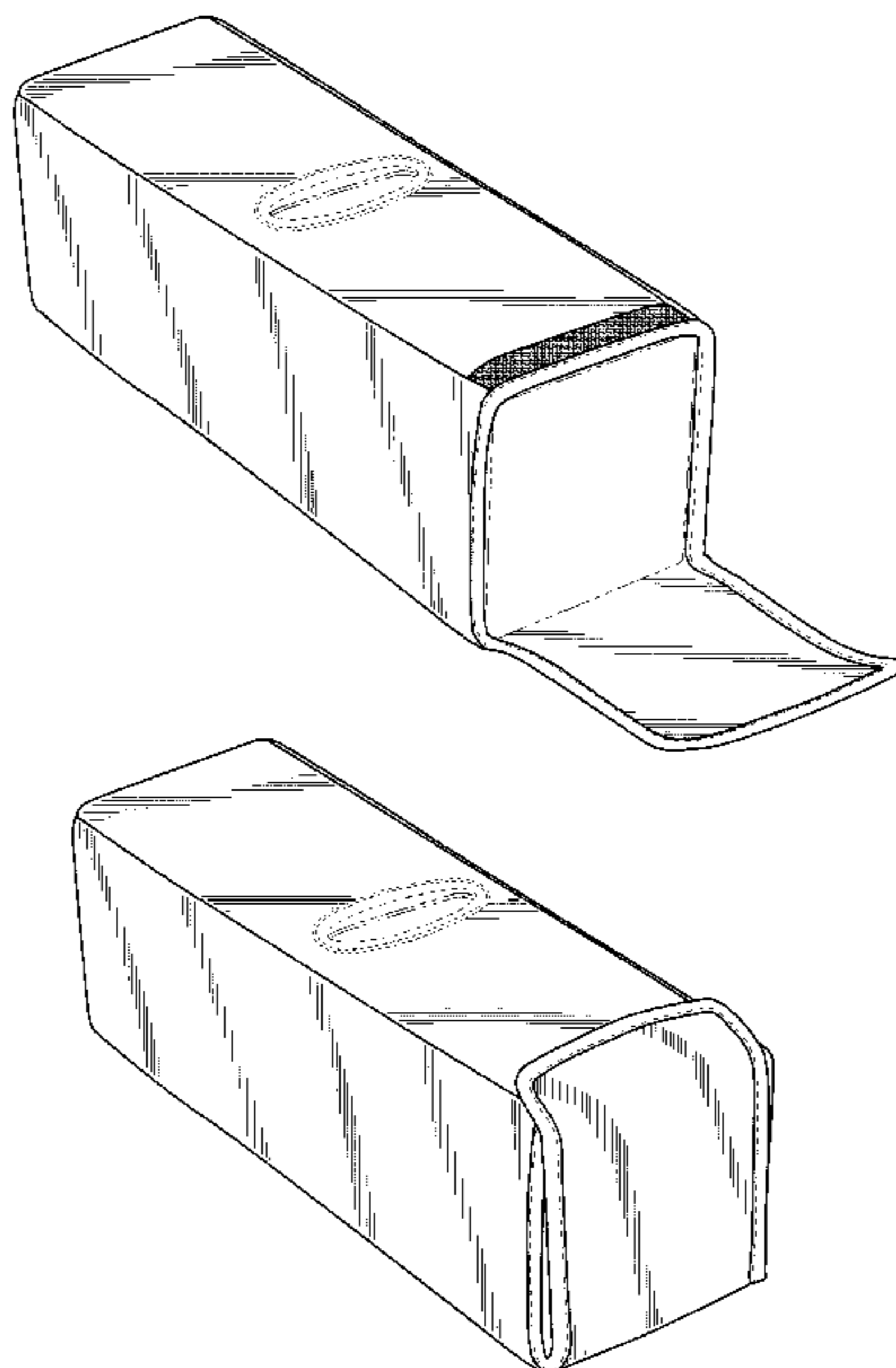
(57) **CLAIM**

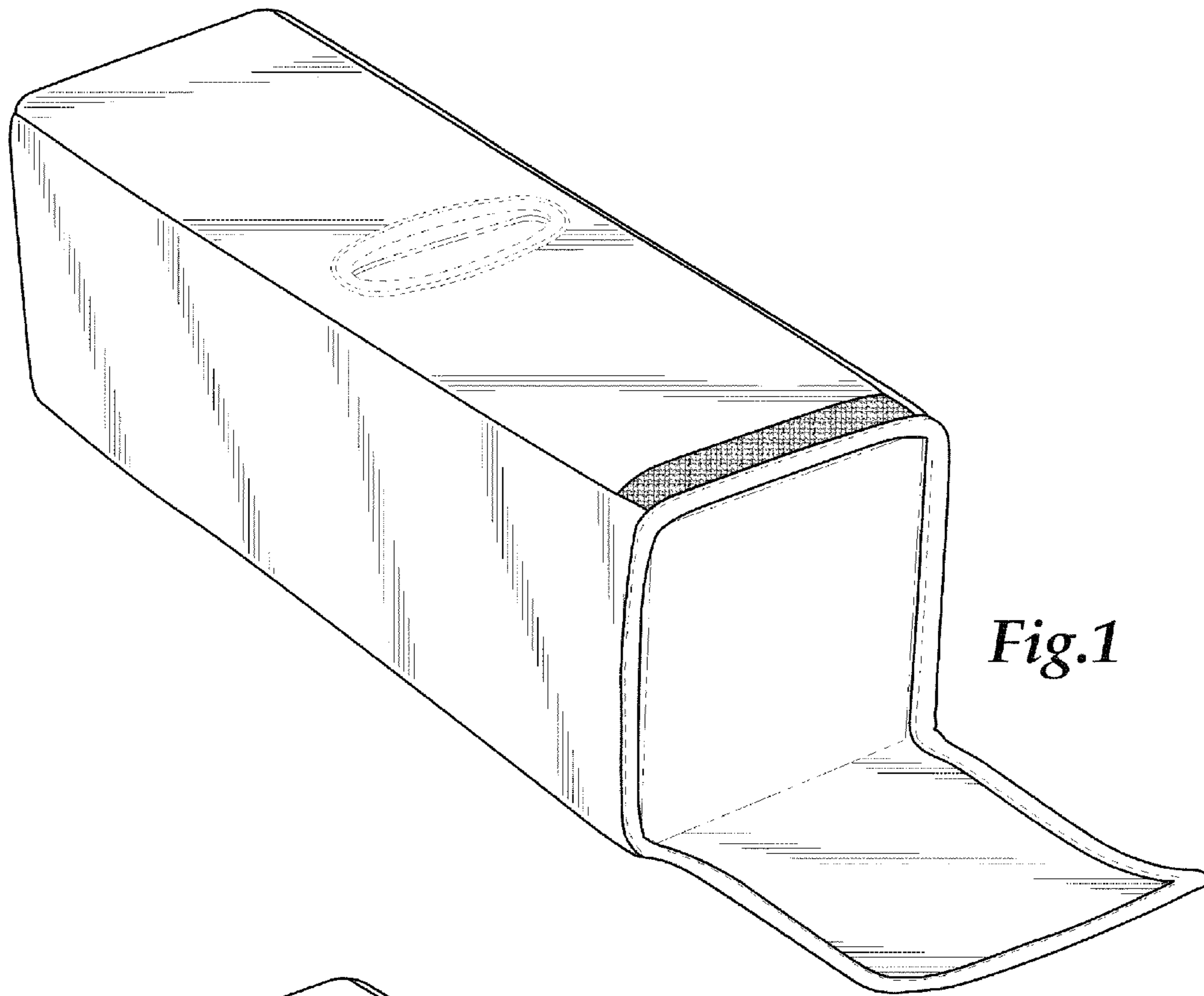
The ornamental design for a beverage case coolie, as shown and described.

**DESCRIPTION**

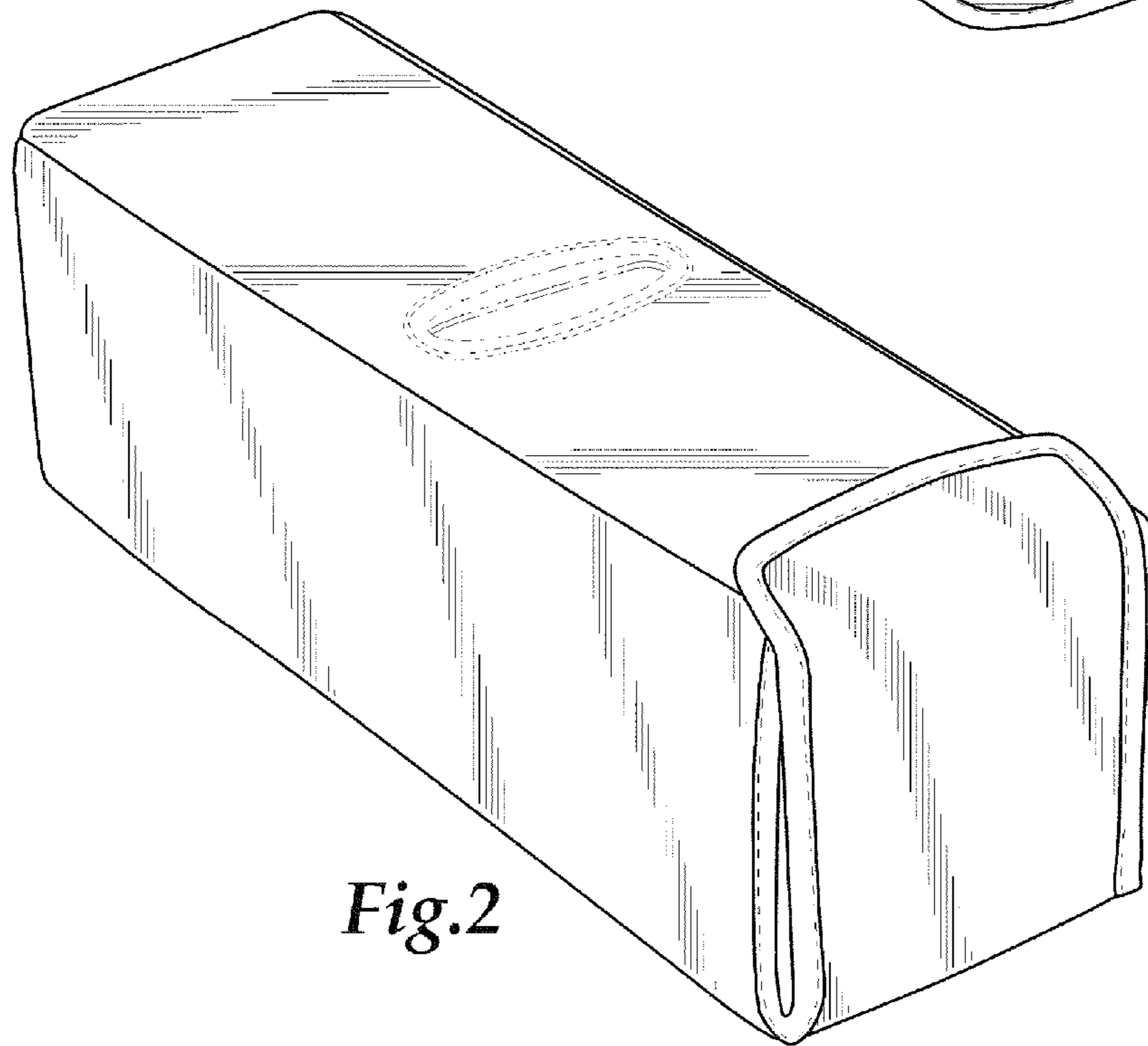
FIG. 1 is a front perspective view of a beverage case coolie pictured in an open configuration showing my new design; FIG. 2 is a front perspective view of the beverage case coolie pictured in FIG. 1 in a closed configuration; FIG. 3 is a side elevation view of the beverage case coolie pictured in FIG. 1; FIG. 4 is a rear elevation view of the beverage case coolie pictured in FIG. 1; FIG. 5 is a front elevation view of the beverage case coolie pictured in FIG. 1; FIG. 6 is a top plan view of the beverage case coolie pictured in FIG. 1; and, FIG. 7 is a bottom plan view of the beverage case coolie pictured in FIG. 1. The dashed-dot-dashed lines showing of the opening in FIG. 1 and the center oval panel in FIGS. 1 and 2 is included for the purpose of illustrating only and forms no part of the claimed design. The dashed lines shown around the trim of the beverage coolie and oval panel are top stitching.

**1 Claim, 3 Drawing Sheets**



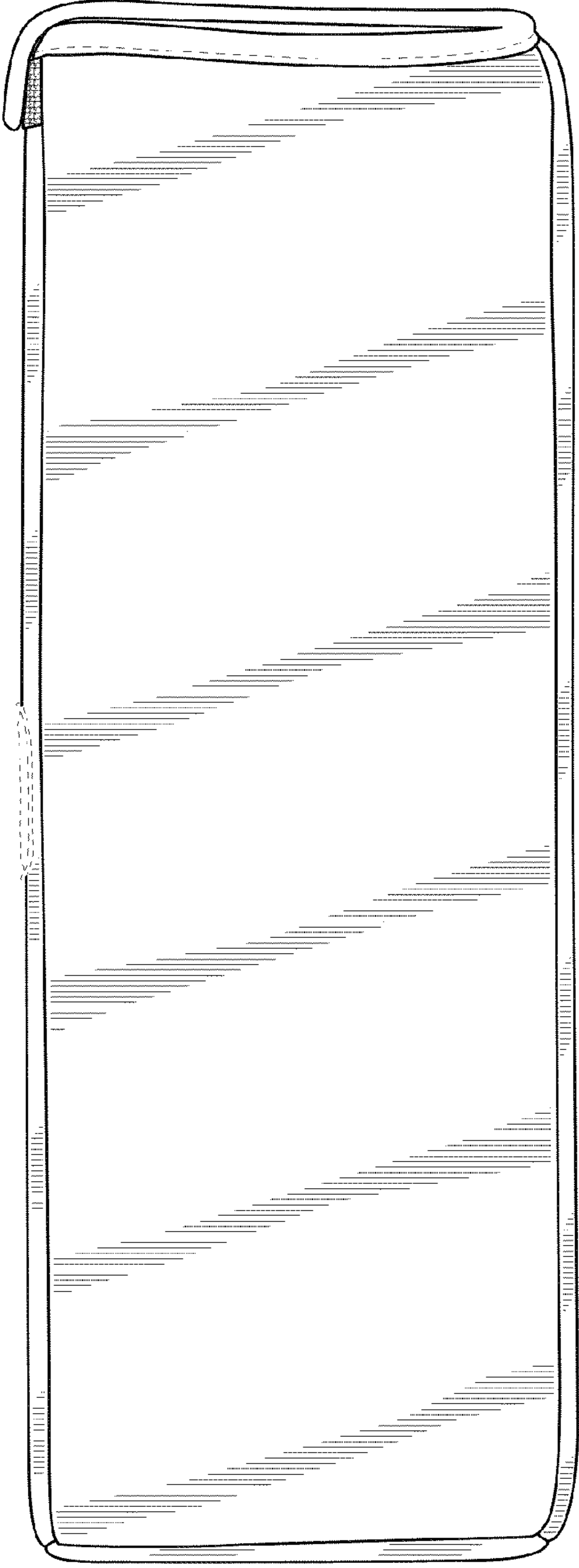


*Fig.1*

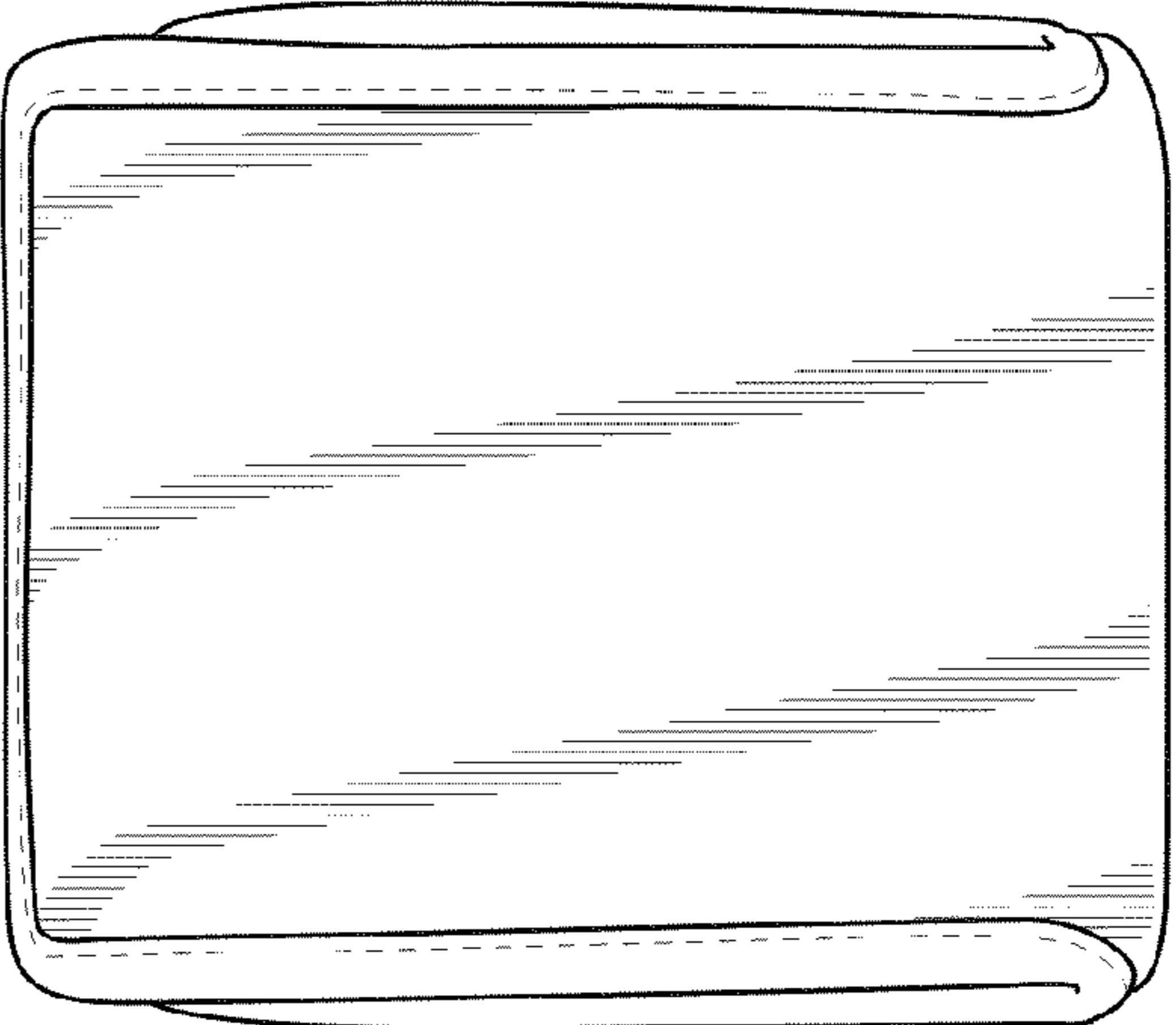


*Fig.2*

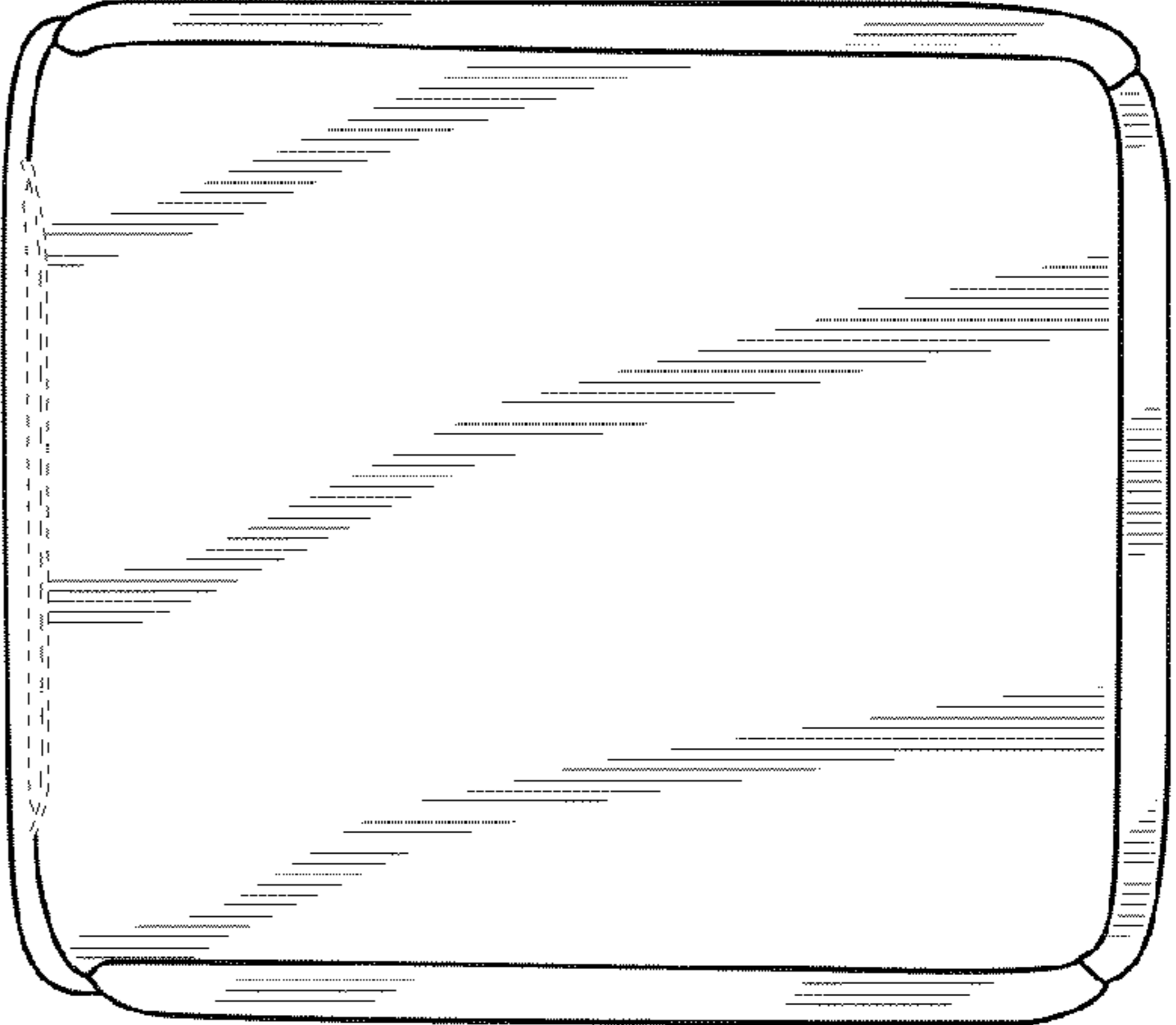
*Fig.3*



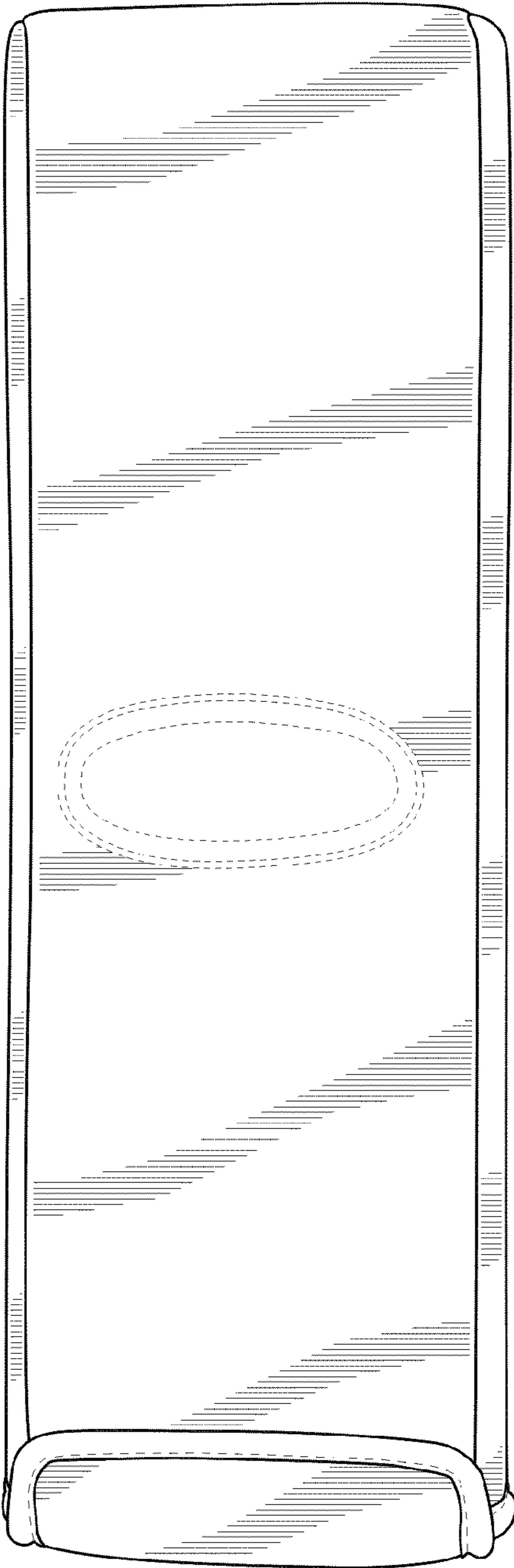
*Fig.5*



*Fig.4*



*Fig.6*



*Fig.7*

