



US00D644886S

(12) **United States Design Patent**  
**Samartgis**

(10) **Patent No.:** **US D644,886 S**

(45) **Date of Patent:** **\*\* \*Sep. 13, 2011**

(54) **CONTAINER**

(75) Inventor: **Jim Samartgis**, Melbourne (AU)

(73) Assignee: **The Decor Corporation Pty Ltd.**,  
Scoresby, Victoria (AU)

(\*) Notice: This patent is subject to a terminal disclaimer.

(\*\*) Term: **14 Years**

(21) Appl. No.: **29/353,525**

(22) Filed: **Jan. 11, 2010**

(30) **Foreign Application Priority Data**

Aug. 14, 2009 (AU) ..... 13094/2009

(51) **LOC (9) Cl.** ..... **07-01**

(52) **U.S. Cl.** ..... **D7/602; D7/630**

(58) **Field of Classification Search** ..... D7/500,  
D7/538, 542-543, 545, 586-587, 601-603,  
D7/612, 615, 629-630; D3/273, 302; 220/573.1,  
220/660, 669-673, 675, 912, 915.1; D9/500,  
D9/502-503, 424-425, 428-429  
See application file for complete search history.

(56) **References Cited**

**U.S. PATENT DOCUMENTS**

D287,559 S \* 1/1987 Daenen et al. .... D7/586  
D375,836 S \* 11/1996 Conti ..... D3/304  
D377,739 S \* 2/1997 Carlson ..... D7/602  
D403,924 S \* 1/1999 Carlson ..... D7/602  
D457,784 S \* 5/2002 Torniainen et al. .... D7/552.1

D542,591 S \* 5/2007 Carlson ..... D7/354  
D548,588 S \* 8/2007 Bouveret et al. .... D9/428  
D555,476 S \* 11/2007 Nielsen ..... D9/425  
D581,204 S \* 11/2008 Simon et al. .... D7/354  
D595,128 S \* 6/2009 Bouveret et al. .... D9/425  
D601,386 S \* 10/2009 Carlson ..... D7/602  
D601,387 S \* 10/2009 Carlson ..... D7/602  
D601,388 S \* 10/2009 Carlson ..... D7/602  
D601,857 S \* 10/2009 Carlson ..... D7/602  
D614,919 S \* 5/2010 Carlson ..... D7/602  
D618,516 S \* 6/2010 DiPietro et al. .... D7/629  
D630,899 S \* 1/2011 Samartgis ..... D7/602  
D630,900 S \* 1/2011 Samartgis ..... D7/602  
D630,901 S \* 1/2011 Samartgis ..... D7/602

\* cited by examiner

*Primary Examiner* — Ian Simmons

*Assistant Examiner* — Dana L Sipos

(74) *Attorney, Agent, or Firm* — Cook Alex Ltd.

(57) **CLAIM**

The ornamental design for a container, as shown and described.

**DESCRIPTION**

FIG. 1 is a front perspective view, from above, of the claimed design;

FIG. 2 is a rear perspective view, from beneath, of the claimed design;

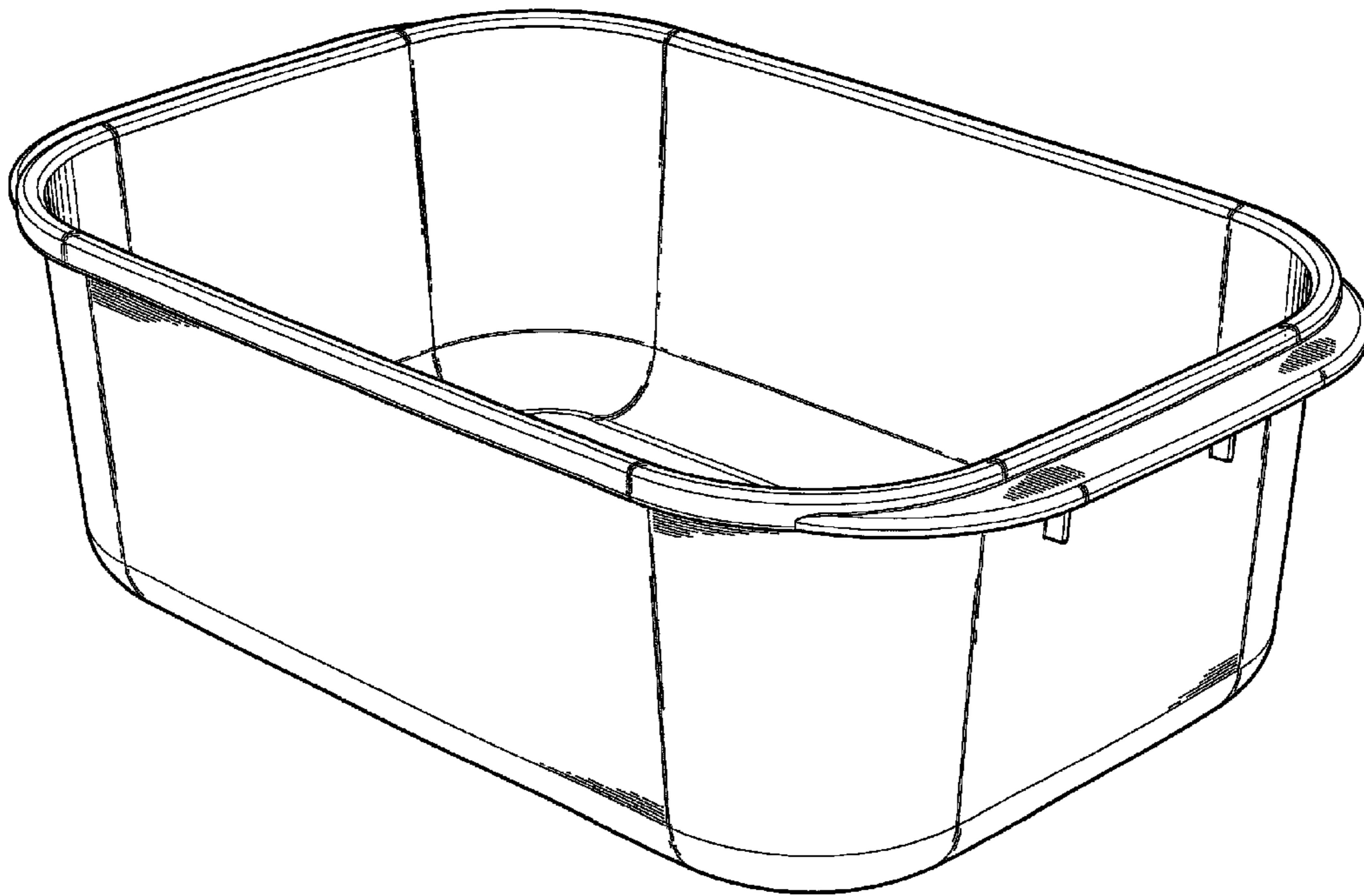
FIG. 3 is a left or right side view of the claimed design. The left side view is the same as the right side view;

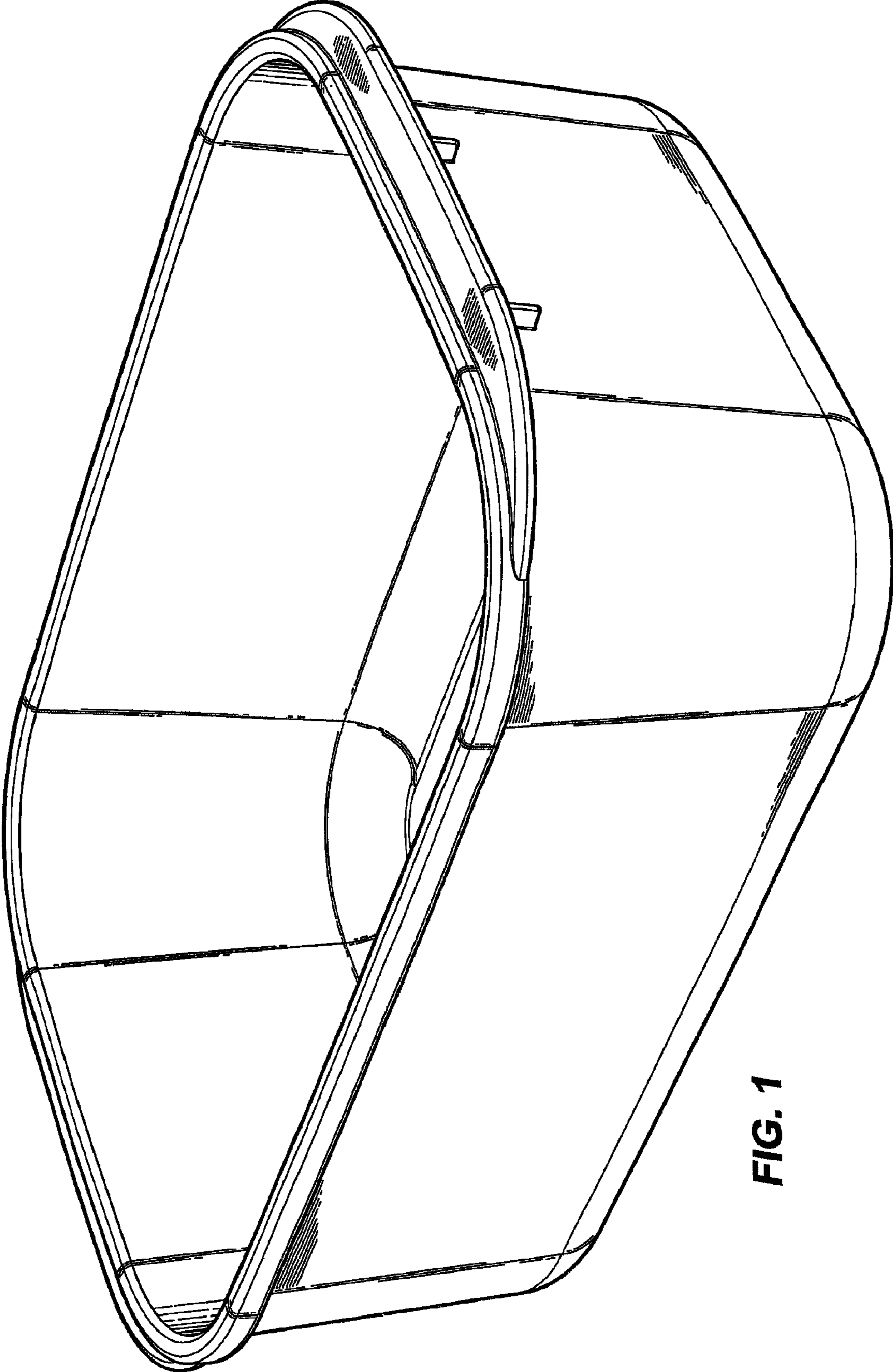
FIG. 4 is an end view of the claimed design. Both end views are the same;

FIG. 5 is a top plan view of the claimed design; and,

FIG. 6 is an underneath plan view of the claimed design.

**1 Claim, 6 Drawing Sheets**





**FIG. 1**

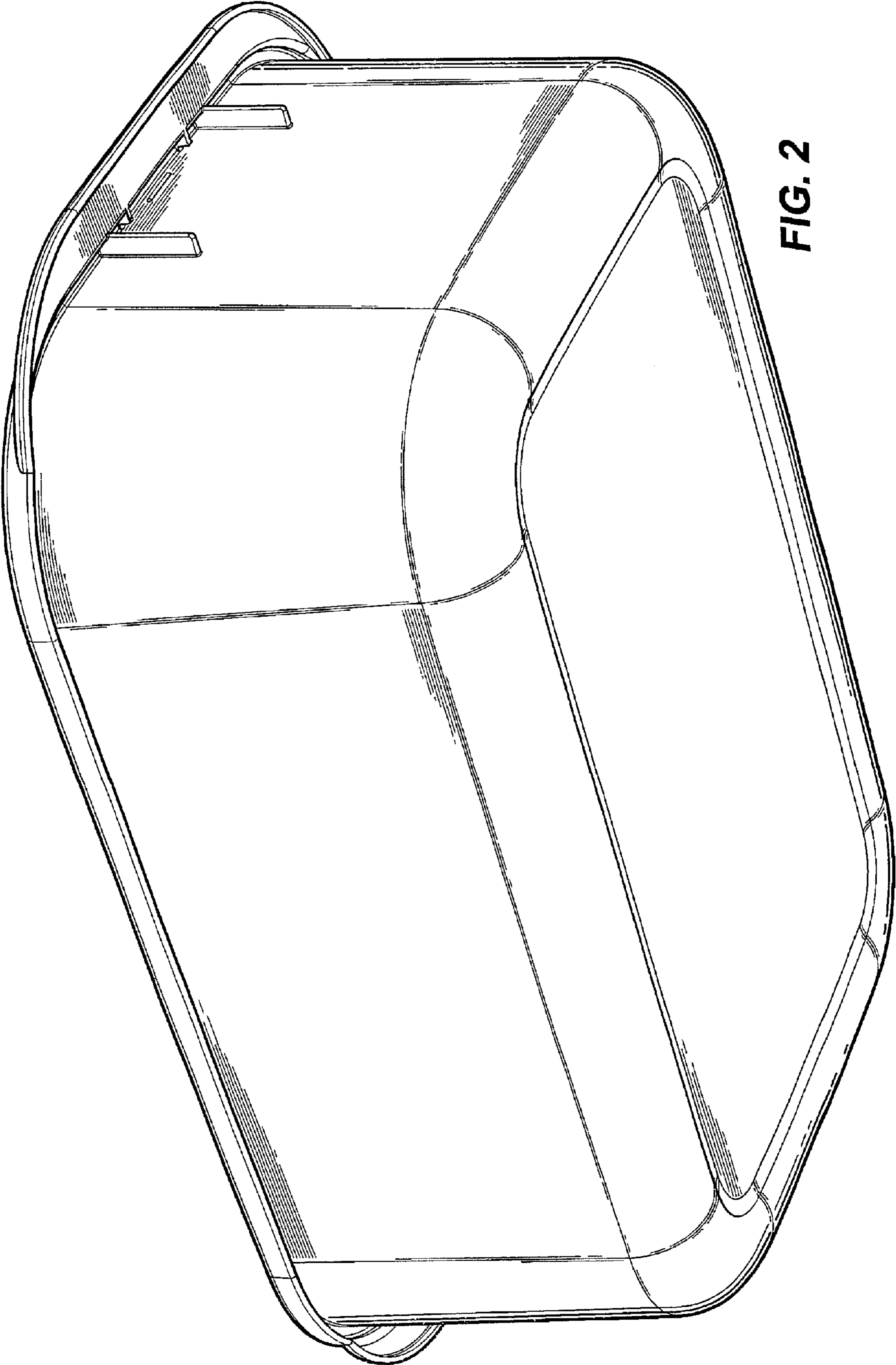


FIG. 2

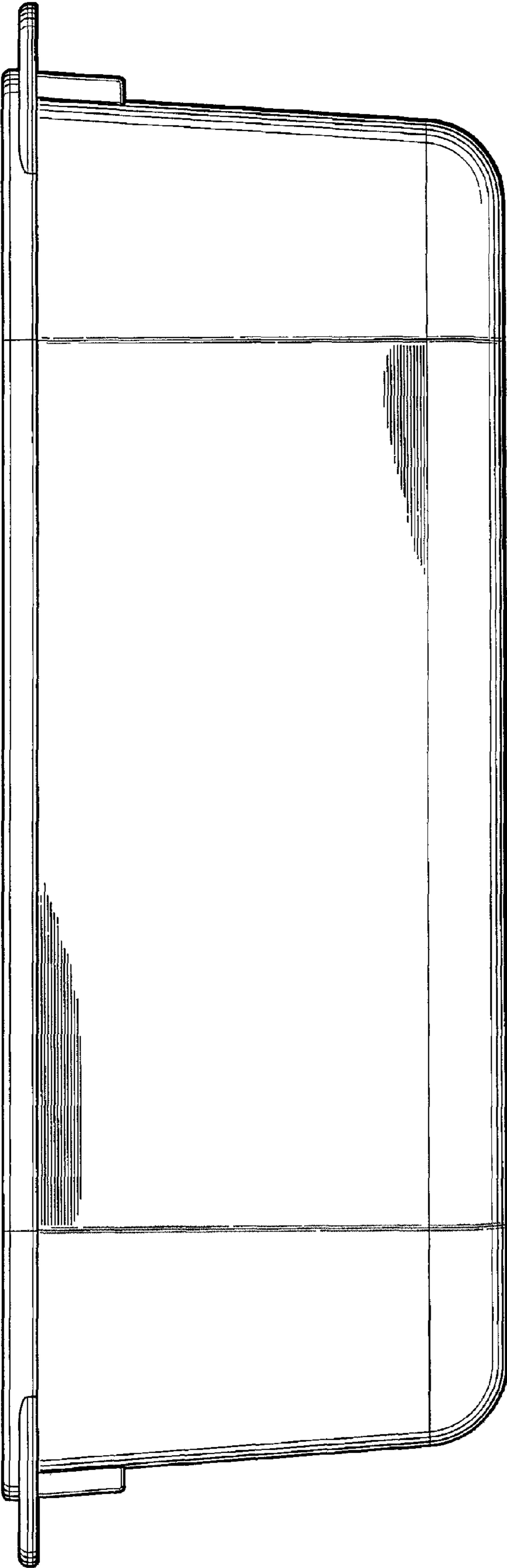
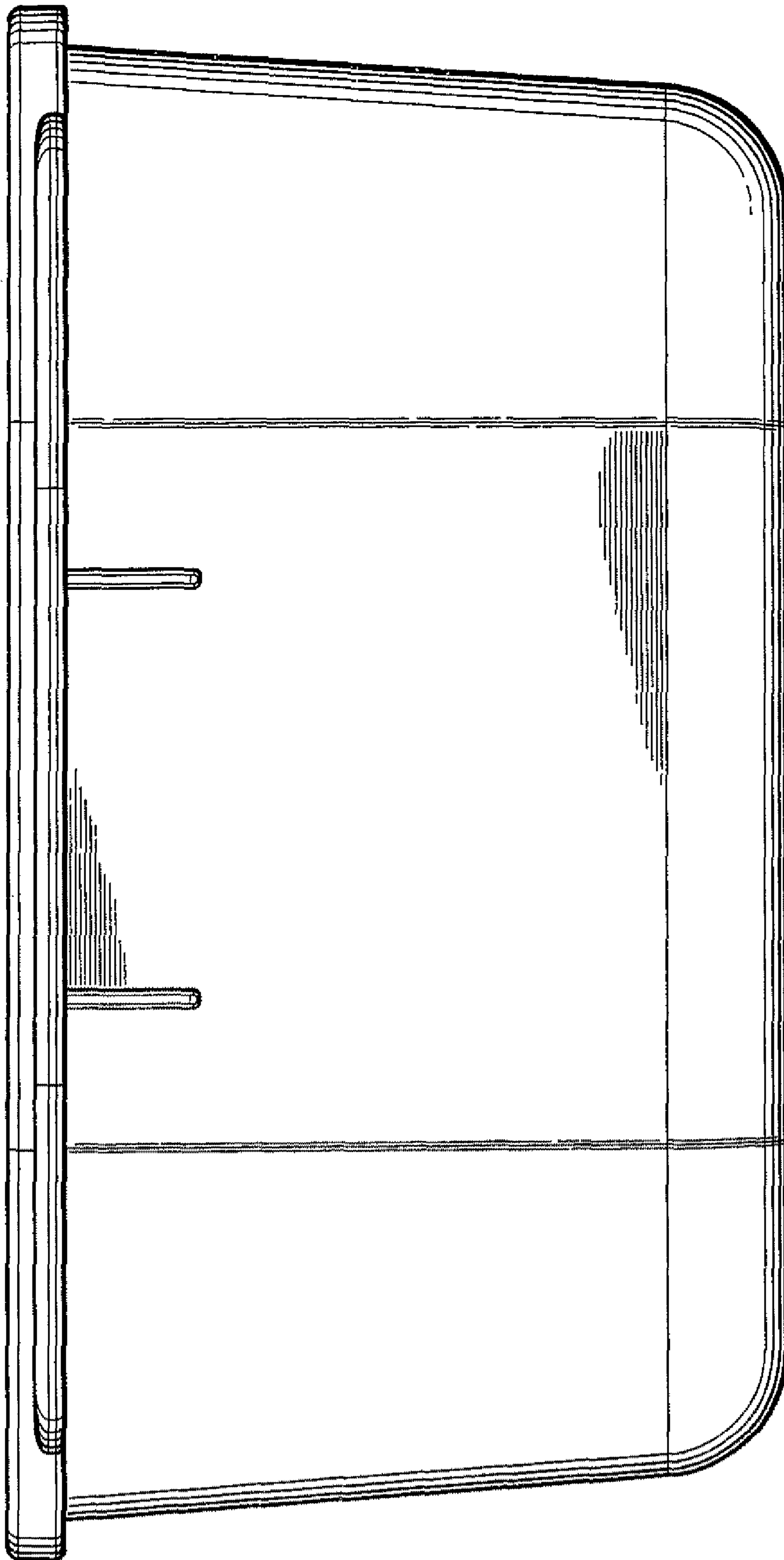


FIG. 3



**FIG. 4**

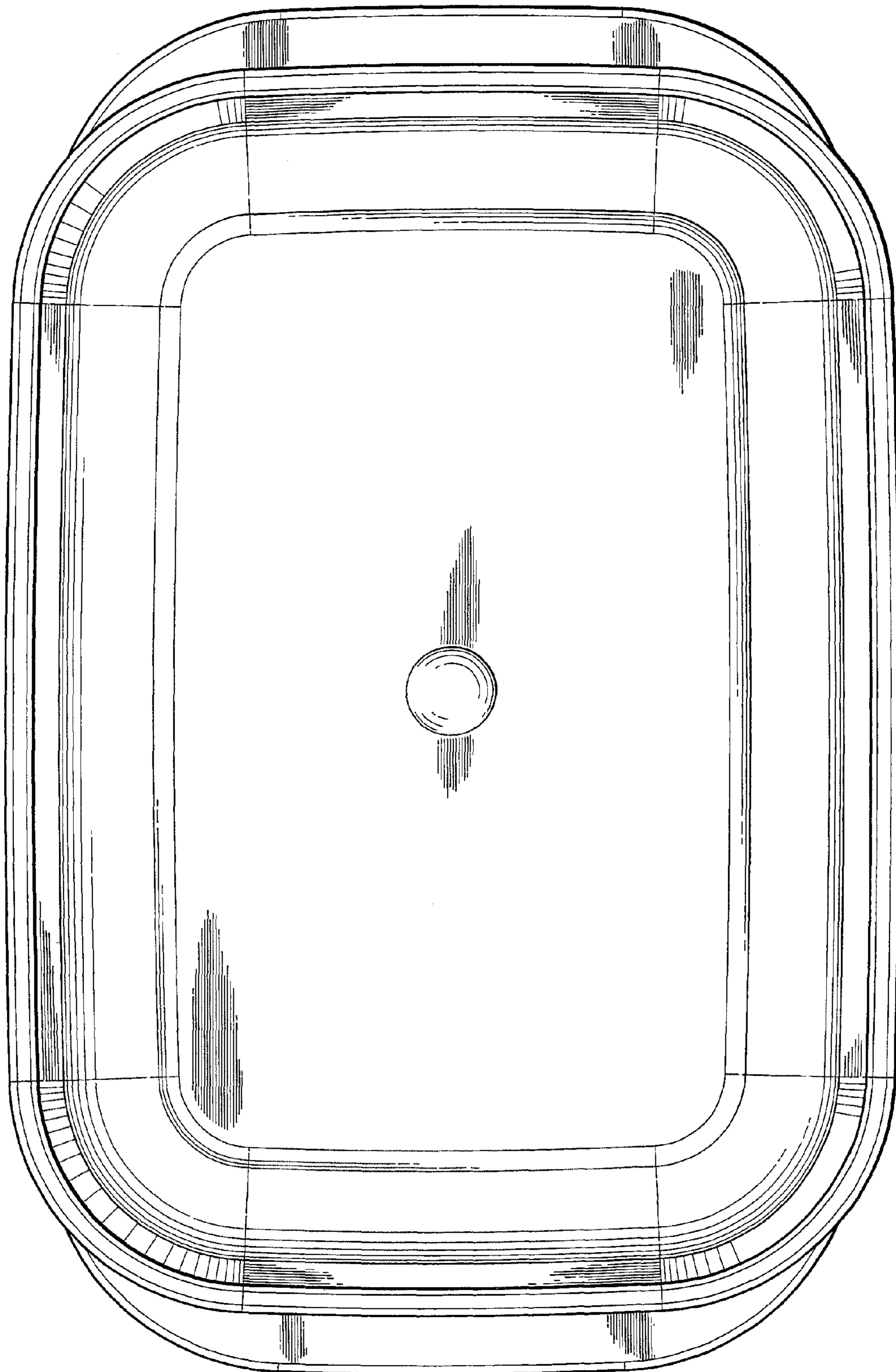


FIG. 5

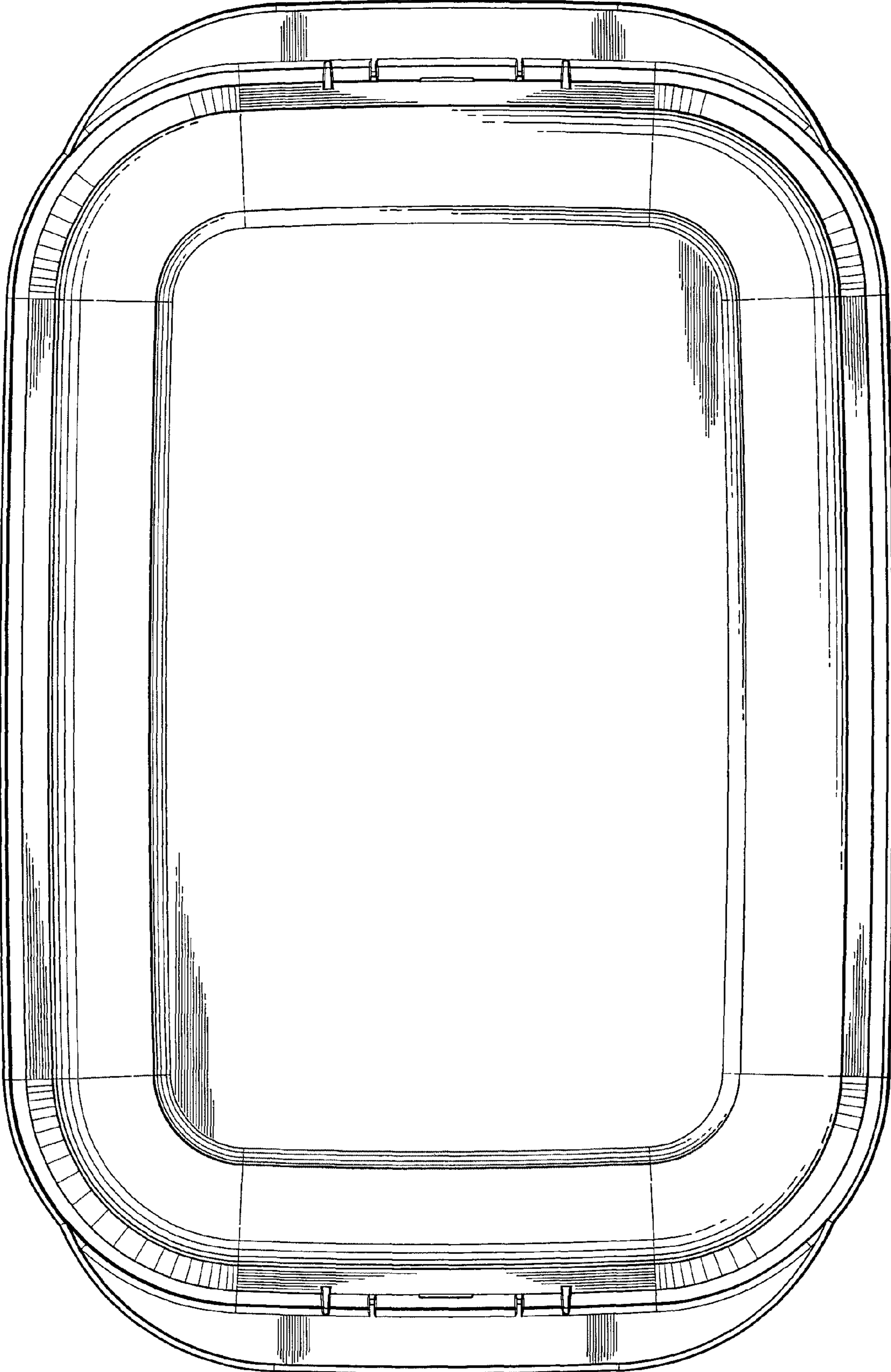


FIG. 6