



US00D644880S

(12) **United States Design Patent**  
**Li**

(10) **Patent No.:** **US D644,880 S**

(45) **Date of Patent:** **\*\* Sep. 13, 2011**

(54) **CUP**

(76) **Inventor:** **Kun-Yi Li**, Tainan (TW)

(\*\*) **Term:** **14 Years**

(21) **Appl. No.:** **29/389,180**

(22) **Filed:** **Apr. 7, 2011**

(51) **LOC (9) Cl.** ..... **07-01**

(52) **U.S. Cl.** ..... **D7/521; D7/518**

(58) **Field of Classification Search** ..... D7/509,  
D7/514, 515, 521, 518; 215/383, 372; D26/11  
See application file for complete search history.

(56) **References Cited**

**U.S. PATENT DOCUMENTS**

D42,367 S *	3/1912	Mortenson	.....	D7/521
D43,568 S *	2/1913	Heinzelman	.....	D7/521
D43,569 S *	2/1913	Heinzelman	.....	D7/521
D47,352 S *	5/1915	Wilmarth	.....	D7/521
D176,981 S *	2/1956	Fiona	.....	D7/521
D234,806 S *	4/1975	Ball	.....	D26/11
D235,159 S *	5/1975	Ball	.....	D26/11
D237,031 S *	10/1975	Benes	.....	D7/521
D240,991 S *	8/1976	Benes	.....	D7/521
D243,910 S *	4/1977	Herpel	.....	D7/523
D244,633 S *	6/1977	Ball	.....	D26/11
D248,715 S *	8/1978	Gobleck, Jr.	.....	D7/521

D249,940 S *	10/1978	Benes et al.	.....	D11/151
D266,298 S *	9/1982	Moskal	.....	D7/521
D308,800 S *	6/1990	Durand	.....	D7/521
D371,935 S *	7/1996	Wilson	.....	D7/521
D440,822 S *	4/2001	Lin	.....	D7/514
D448,503 S *	9/2001	Carpenter	.....	D26/11
D509,992 S *	9/2005	Lipson	.....	D7/515
D521,202 S *	5/2006	Lin	.....	D34/1
D542,096 S *	5/2007	Kolano	.....	D7/564
D544,304 S *	6/2007	Gluck	.....	D7/514
D548,534 S *	8/2007	Sullivan	.....	D7/608
D564,842 S *	3/2008	Bob	.....	D7/516

\* cited by examiner

*Primary Examiner* — Marianne Pandozzi

(74) *Attorney, Agent, or Firm* — WPAT, P.C.; Anthony King

(57) **CLAIM**

I claim the ornamental design for a cup, as shown and described.

**DESCRIPTION**

FIG. 1 is a perspective view of a cup showing my present design;  
FIG. 2 is a front view thereof;  
FIG. 3 is a rear view thereof;  
FIG. 4 is a left view thereof;  
FIG. 5 is a right view thereof;  
FIG. 6 is a top plan view thereof; and,  
FIG. 7 is a bottom plan view.

**1 Claim, 6 Drawing Sheets**





FIG. 1

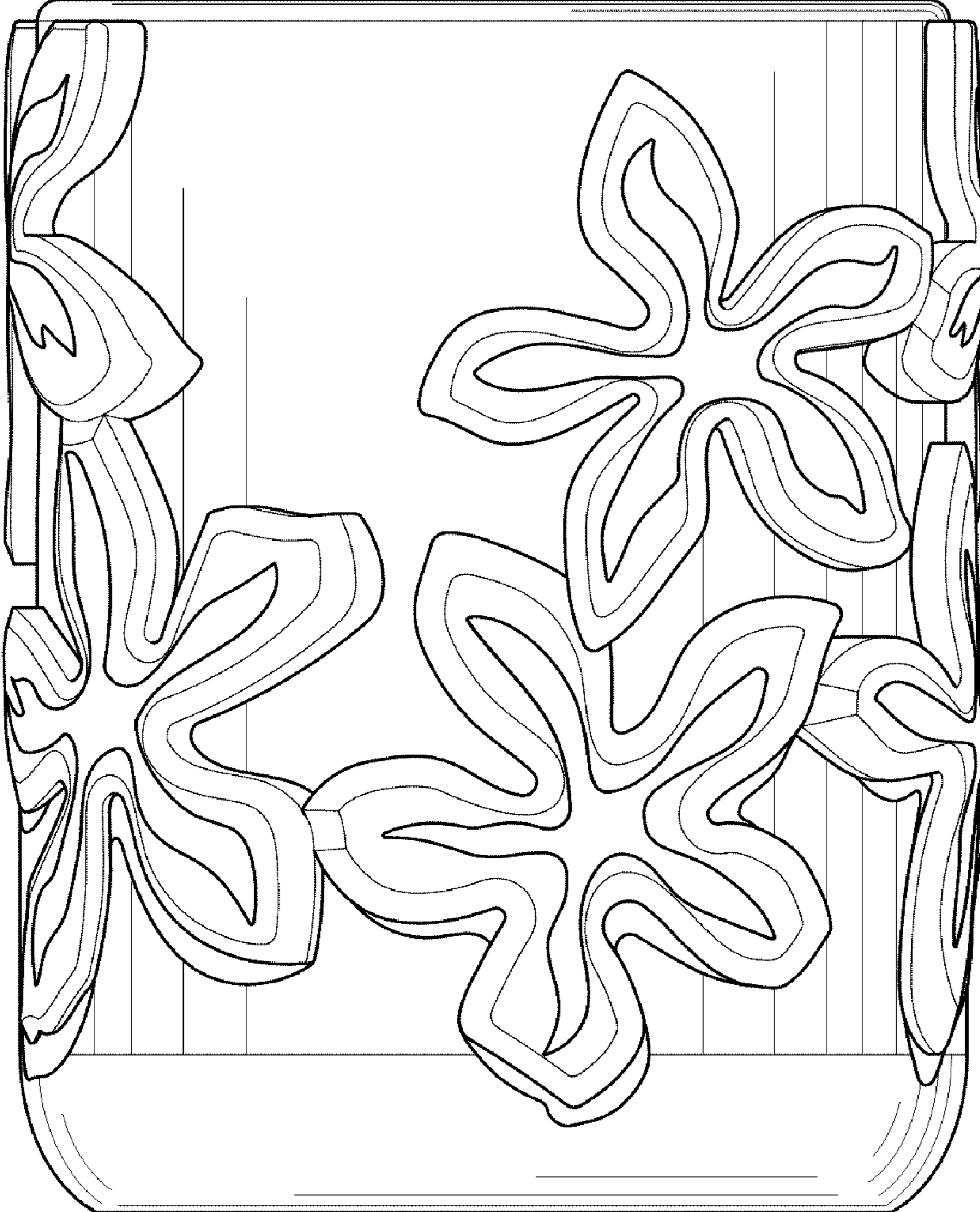


FIG . 2

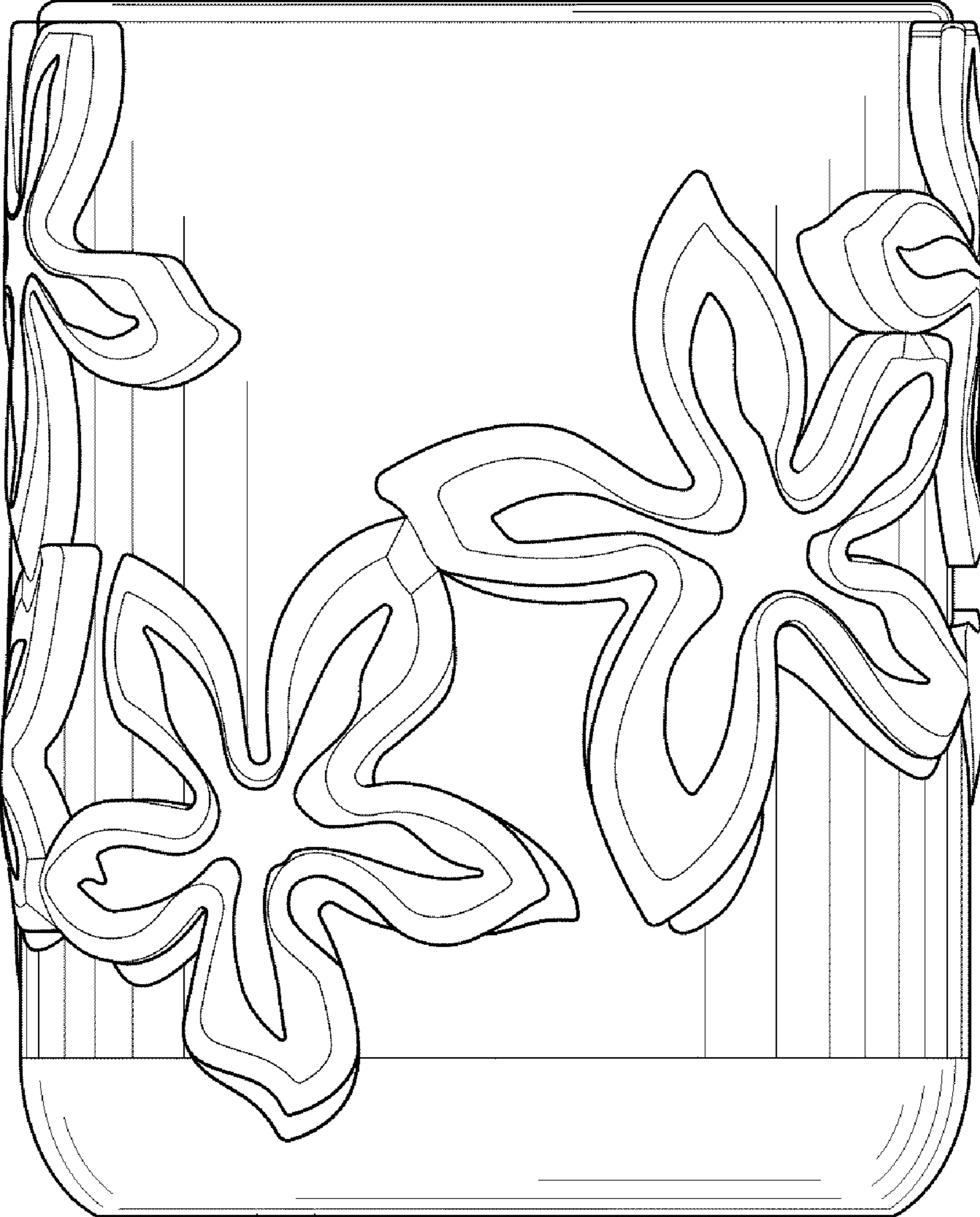


FIG. 3

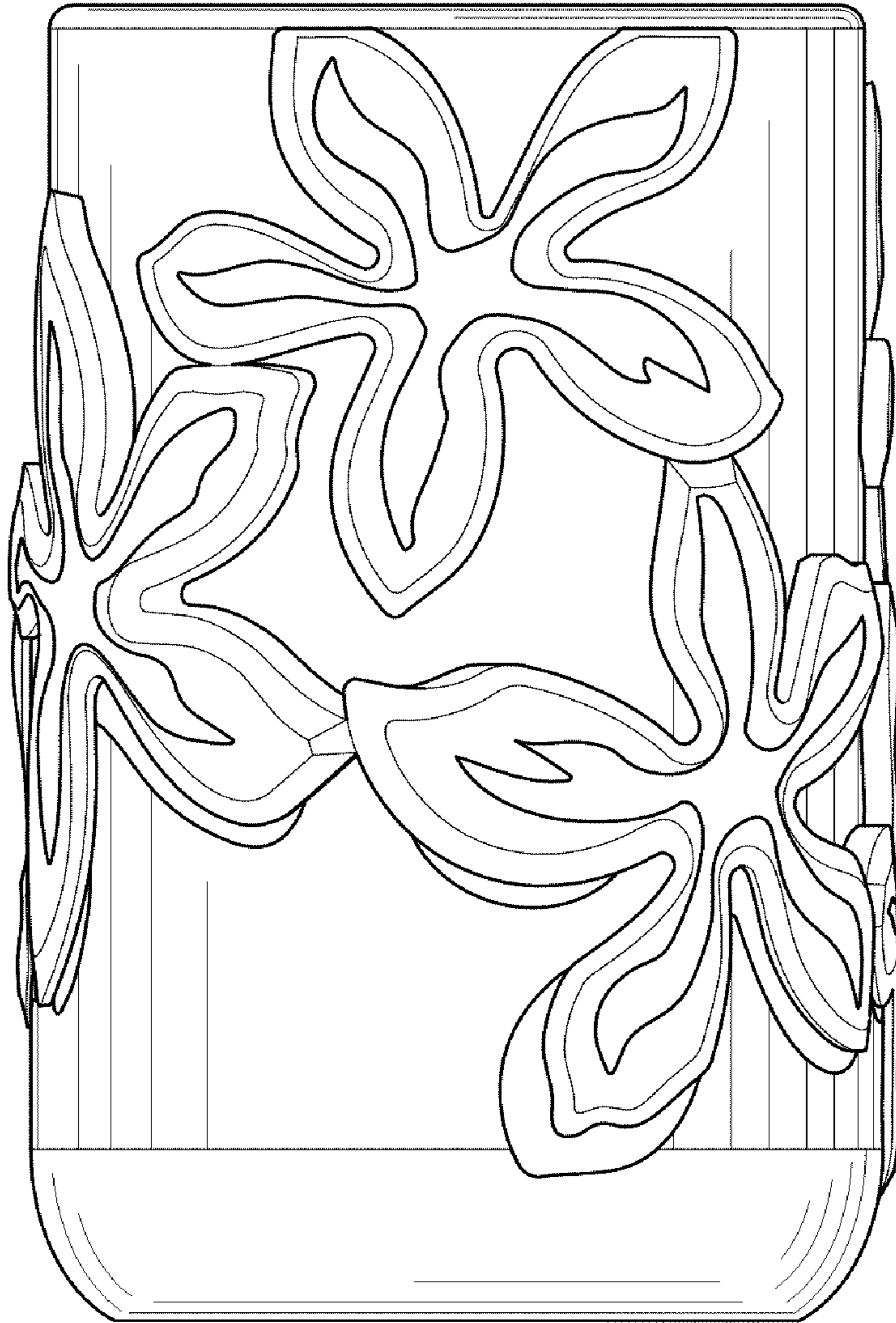


FIG. 4



FIG. 5

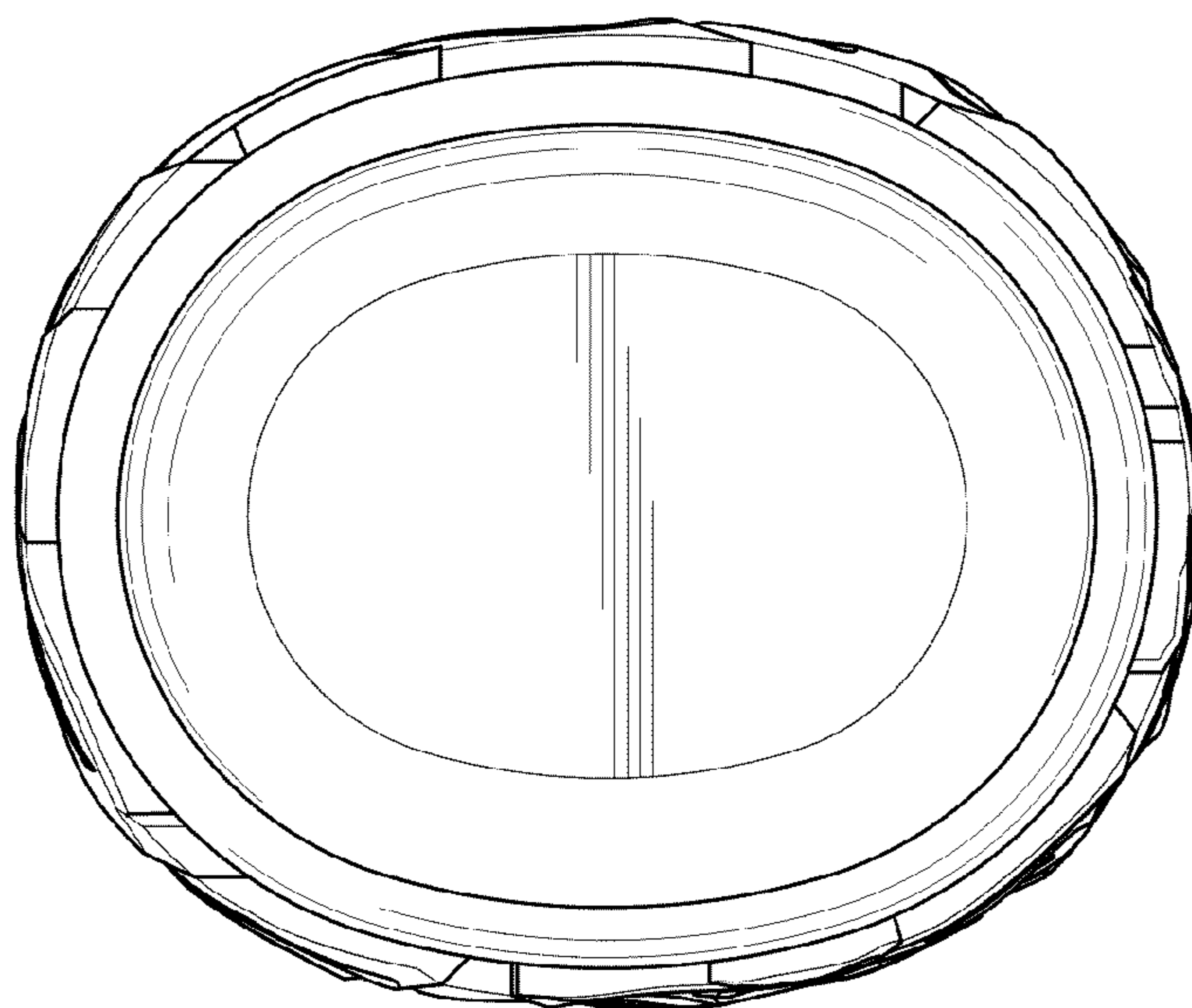


FIG. 6

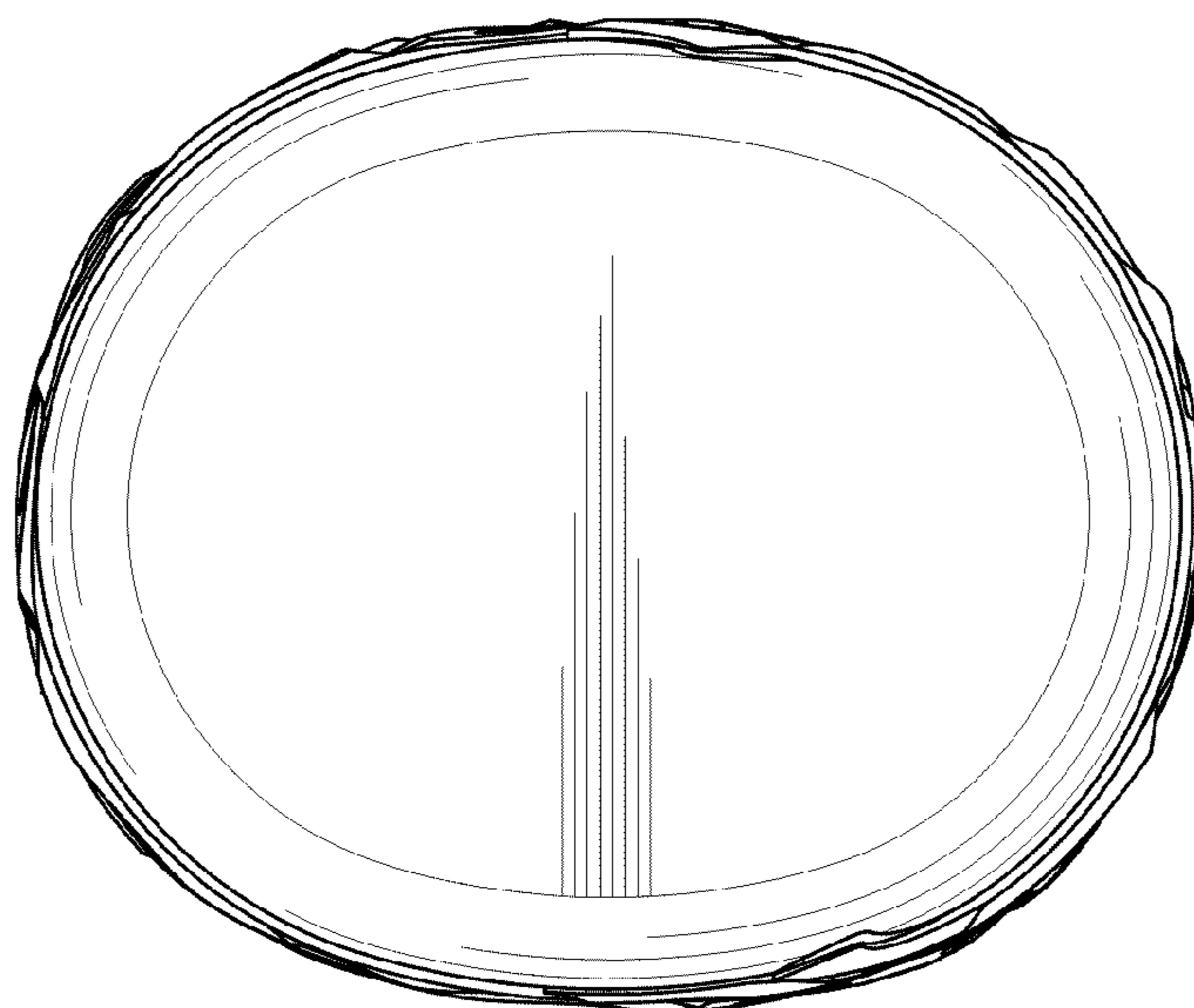


FIG. 7