



US00D644879S

(12) **United States Design Patent**
Hadley

(10) **Patent No.:** **US D644,879 S**

(45) **Date of Patent:** **** Sep. 13, 2011**

(54) **BOTTLE**

(75) **Inventor:** **Gary W. Hadley**, San Clemente, CA (US)

(73) **Assignee:** **I.D. Gear Inc.**, Aliso Viejo, CA (US)

(**) **Term:** **14 Years**

(21) **Appl. No.:** **29/384,617**

(22) **Filed:** **Feb. 1, 2011**

Related U.S. Application Data

(63) Continuation of application No. 29/340,341, filed on Jul. 16, 2009.

(51) **LOC (9) Cl.** **07-01**

(52) **U.S. Cl.** **D7/510; D7/624.2**

(58) **Field of Classification Search** **D7/396.2, D7/510, 511, 509, 624.2, 392.1, 387, 607, D7/608, 529; D20/11; 220/703, 592.16, 220/592.17; 215/387; D9/716, 719, 776**

See application file for complete search history.

(56) **References Cited**

U.S. PATENT DOCUMENTS

1,632,347	A *	6/1927	Pipkin	215/395
D346,308	S	4/1994	Cautereels	
D353,098	S *	12/1994	Beechuk et al.	D9/538
D359,654	S	6/1995	Westgerdes	
D373,706	S	9/1996	Gregg	
D391,448	S	3/1998	Winer et al.	
5,820,016	A *	10/1998	Stropkay	229/403
D407,270	S	3/1999	Wilson	
D429,968	S *	8/2000	Frankel	D7/620
D430,456	S	9/2000	Thuma	
D433,729	S	11/2000	Poirier et al.	
D434,272	S	11/2000	Johansen et al.	
6,182,855	B1 *	2/2001	Alpert	220/739
D452,949	S *	1/2002	Wang	D6/509
D496,559	S	9/2004	Bodum	

6,814,253	B2 *	11/2004	Wong	220/739
D509,707	S	9/2005	Tien	
D527,267	S	8/2006	Zboch et al.	
D527,635	S *	9/2006	Zboch et al.	D9/516
D529,338	S	10/2006	Poulson et al.	
D536,929	S	2/2007	Kingsley	
D540,125	S	4/2007	Hicks	
D541,596	S	5/2007	Hicks	
D545,129	S	6/2007	Tien	
D548,012	S	8/2007	Tien	
D549,048	S	8/2007	Duke et al.	
D585,700	S *	2/2009	Chu	D7/396.2
D590,211	S *	4/2009	Mancha et al.	D7/624.2
7,537,136	B2	5/2009	Hechmati	
D594,088	S	6/2009	Pritchard	
D594,707	S	6/2009	Silverstein et al.	
D594,708	S	6/2009	Silverstein et al.	
D596,458	S	7/2009	McKinney	
D597,795	S	8/2009	Ford	
D602,735	S	10/2009	Lown et al.	
D611,765	S	3/2010	George	

(Continued)

Primary Examiner — Cynthia Underwood

(74) *Attorney, Agent, or Firm* — Knobbe, Martens, Olson & Bear, LLP

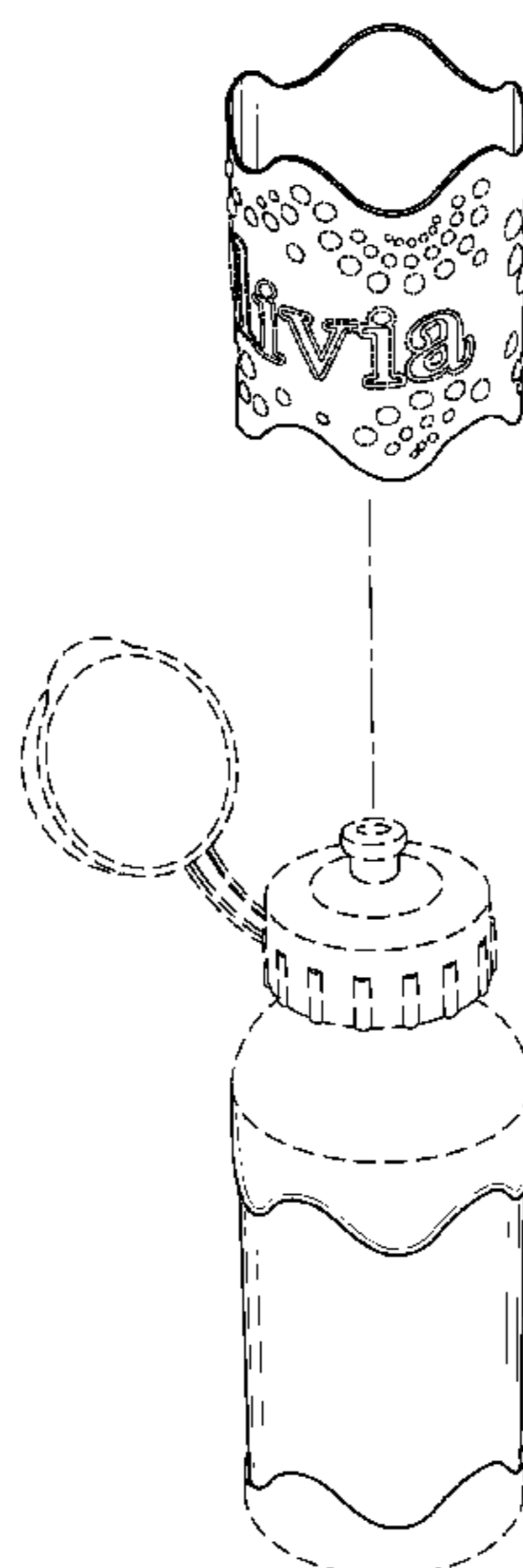
(57) **CLAIM**

The ornamental design for a bottle, as shown and described.

DESCRIPTION

FIG. 1 is a perspective view of a bottle according to the present design;
FIG. 2 is an exploded perspective view of FIG. 1;
FIG. 3 is a front elevational view of FIG. 1;
FIG. 4 is a left-side elevational view of FIG. 1;
FIG. 5 is a right-side elevational view of FIG. 1;
FIG. 6 is a top-plan view of FIG. 1; and,
FIG. 7 is a bottom-plan view of FIG. 1.
The broken lines are included for illustrative purposes only and form no part of the claimed design.

1 Claim, 4 Drawing Sheets



US D644,879 S

Page 2

U.S. PATENT DOCUMENTS

D611,772 S 3/2010 Silverstein et al.
D612,202 S 3/2010 Hillebrenner
D612,671 S 3/2010 Sanchez et al.
D623,474 S 9/2010 Carlson et al.
D623,476 S 9/2010 Carlson et al.
D624,362 S 9/2010 Wahl

D634,159 S 3/2011 Bodum
D635,397 S 4/2011 Hollis et al.
2004/0128877 A1 7/2004 Luedde
2008/0078824 A1 4/2008 Spriegel et al.
2009/0050641 A1 2/2009 Ivey
2009/0057257 A1 3/2009 Marcus et al.

* cited by examiner

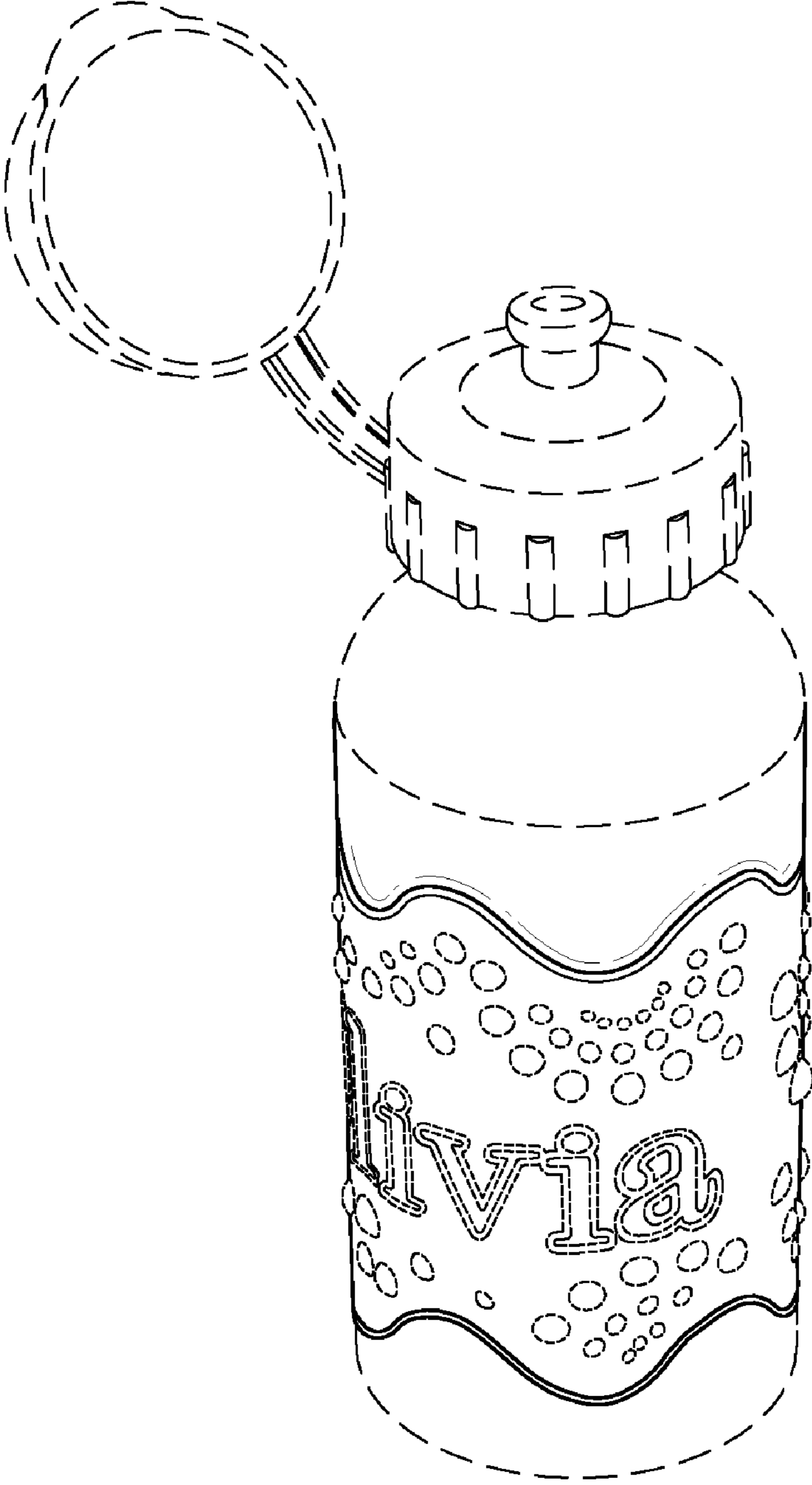
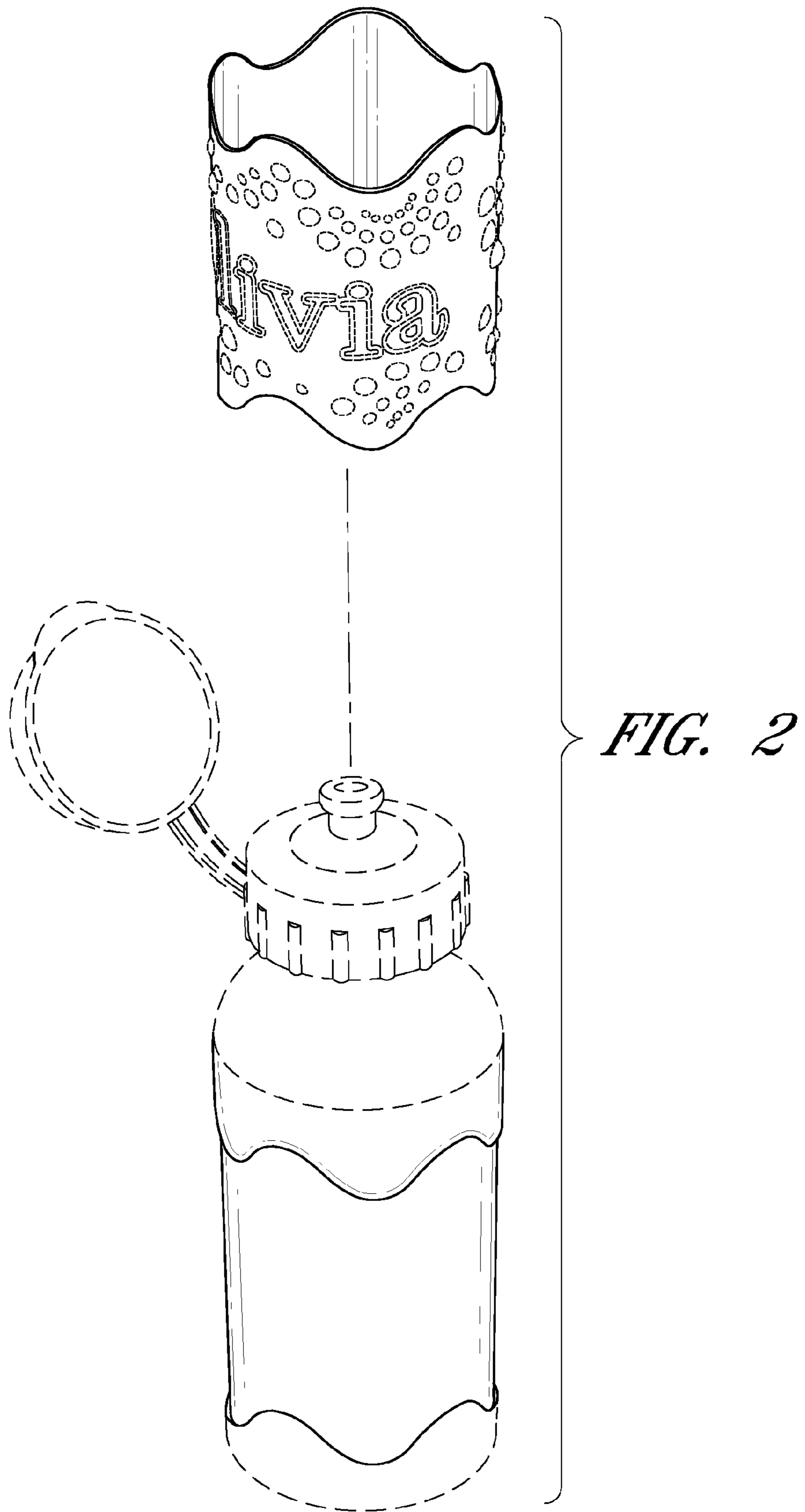


FIG. 1



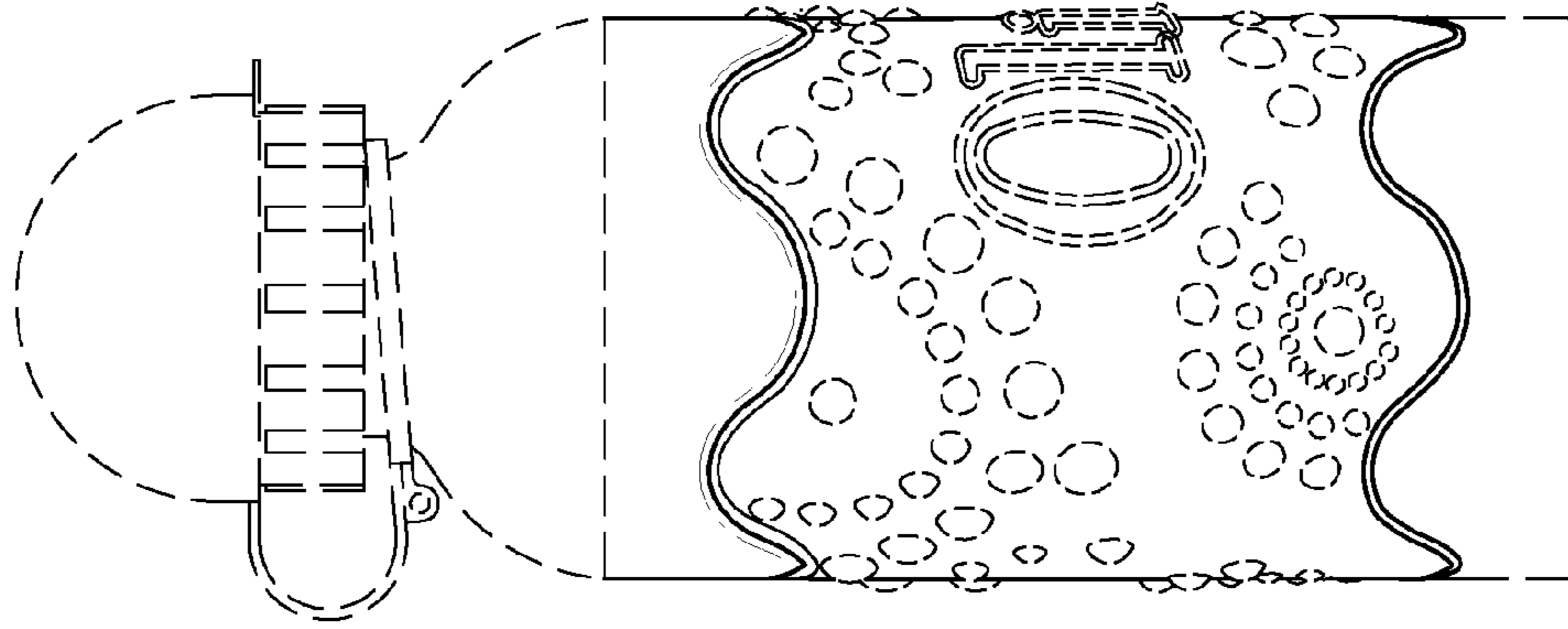


FIG. 3

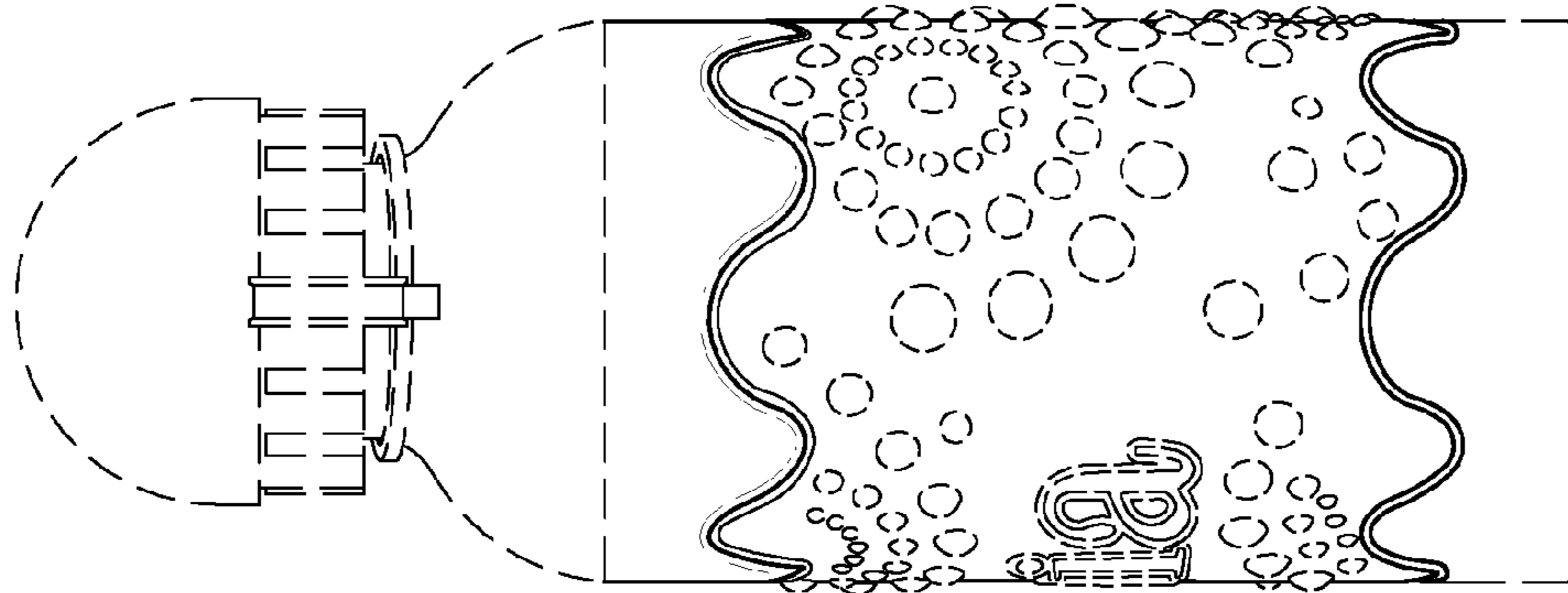


FIG. 4

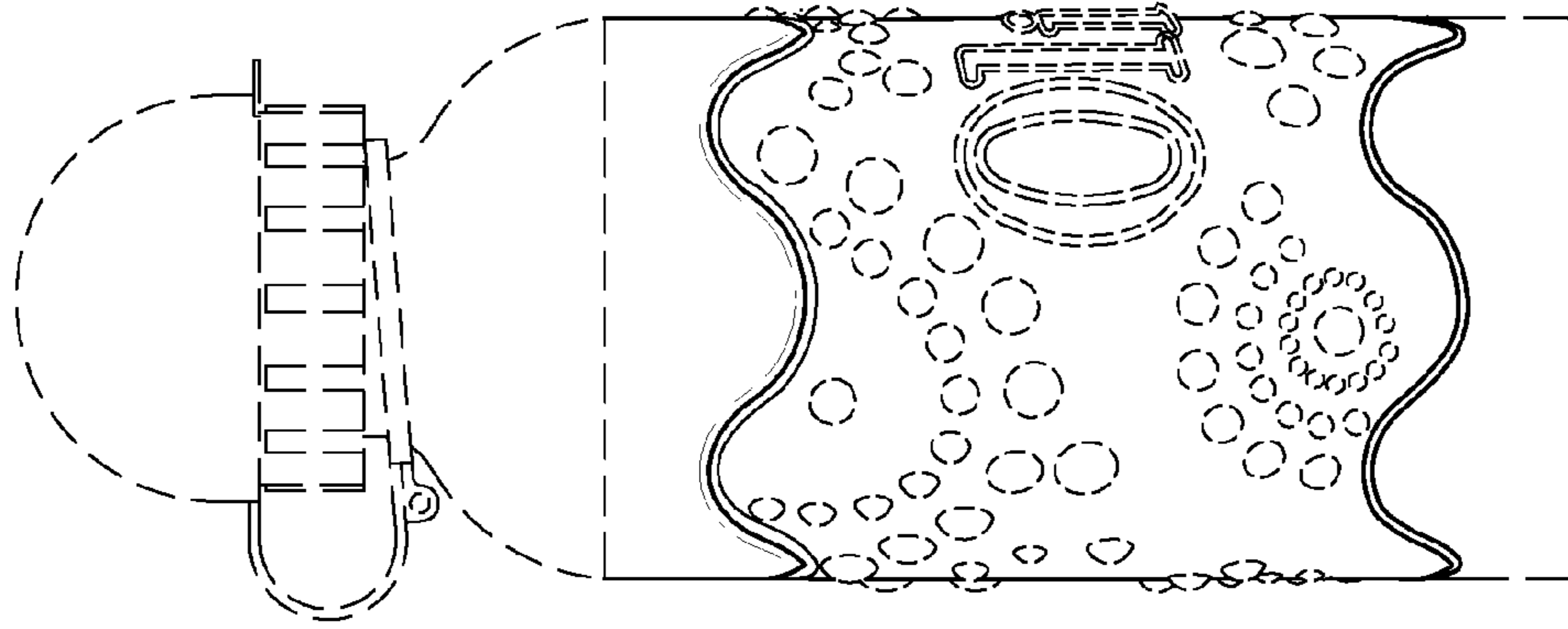


FIG. 5

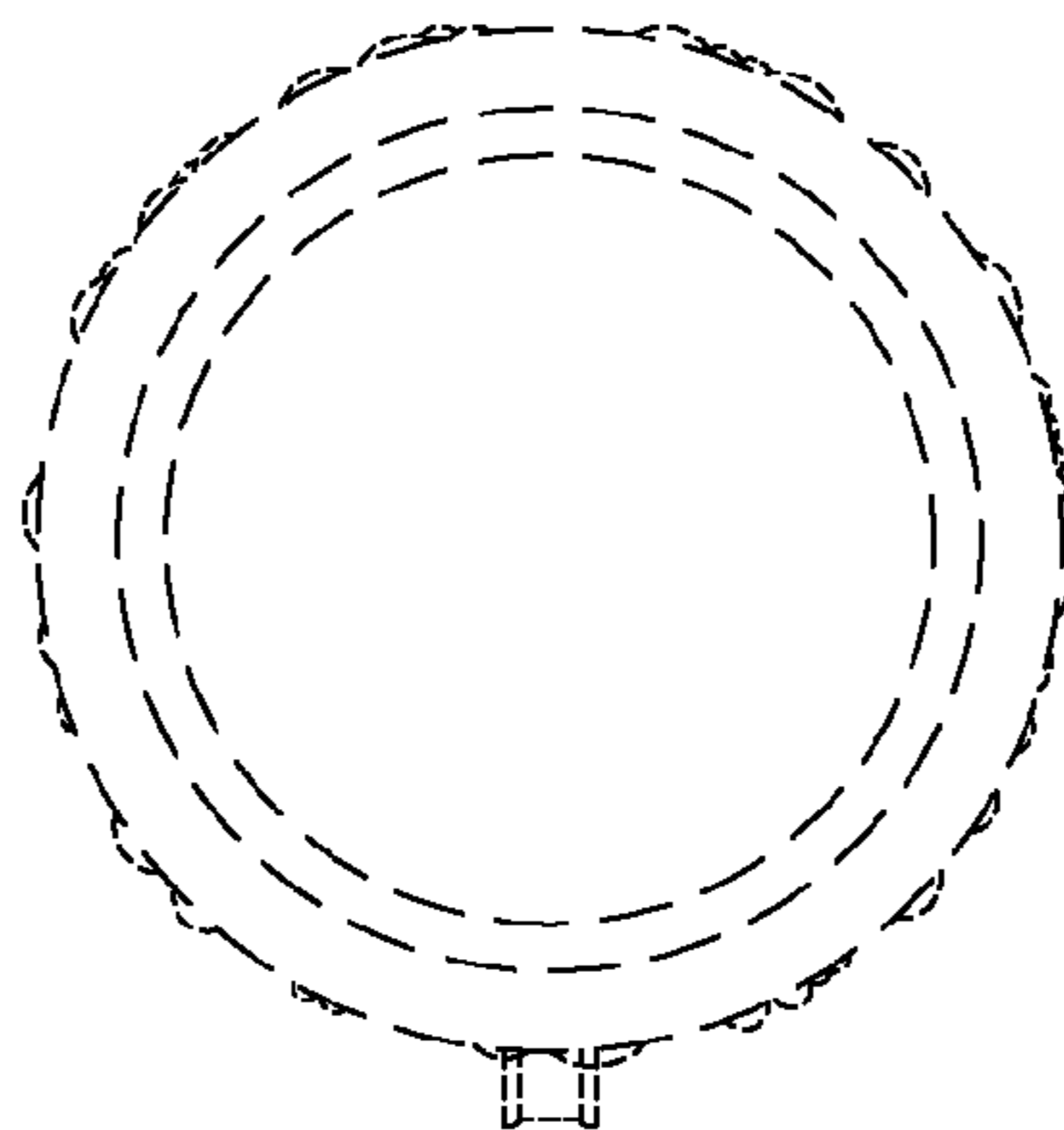


FIG. 7

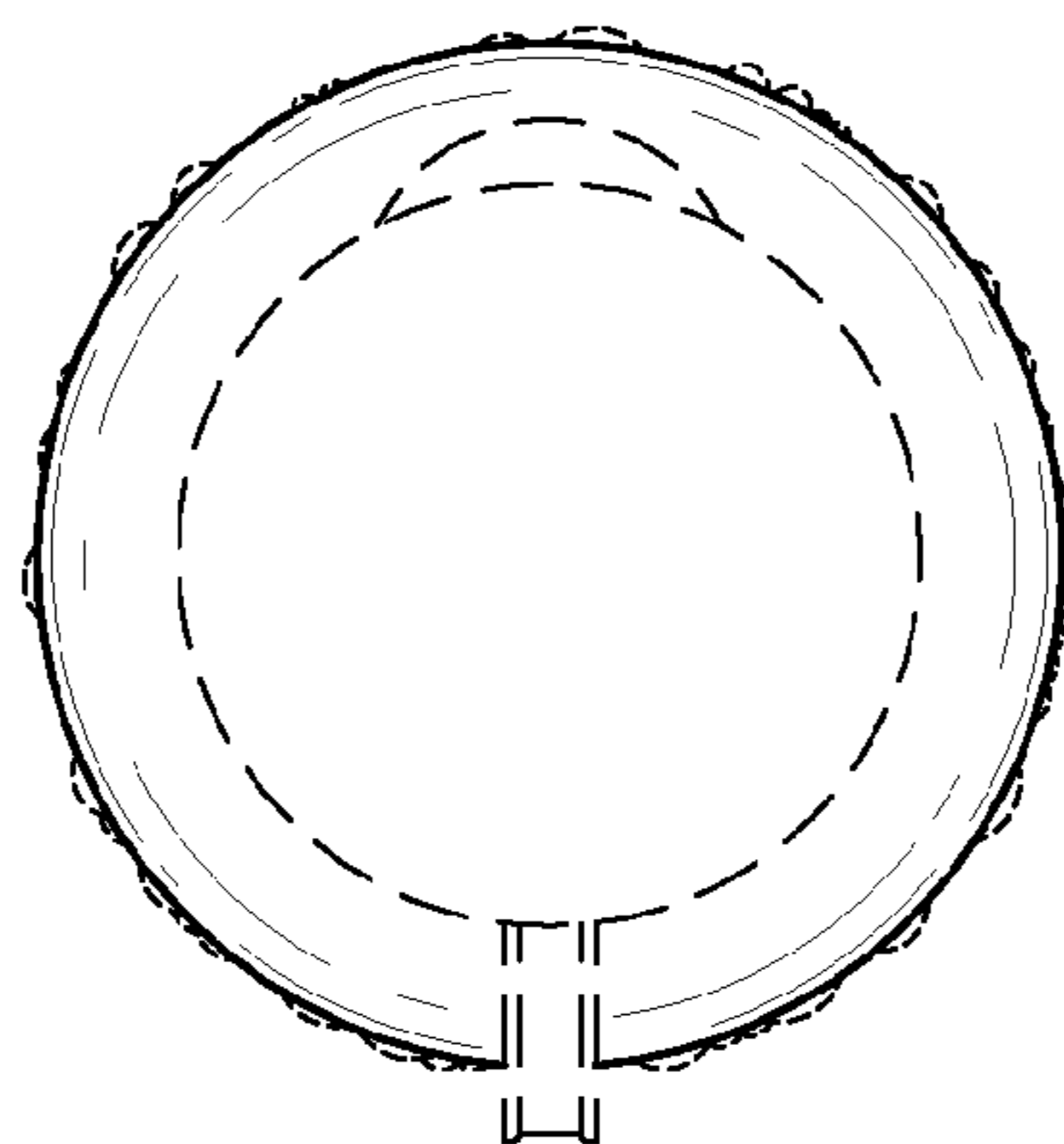


FIG. 6