



US00D644878S

(12) **United States Design Patent**
Kushner

(10) **Patent No.:** **US D644,878 S**

(45) **Date of Patent:** **** Sep. 13, 2011**

(54) **CASTLE DINNER SET**

(76) **Inventor:** **Robert Gerald Kushner**, Mid-Levels
(HK)

(**) **Term:** **14 Years**

(21) **Appl. No.:** **29/372,464**

(22) **Filed:** **Nov. 23, 2010**

(51) **LOC (9) Cl.** **07-01**

(52) **U.S. Cl.** **D7/506; D7/539; D7/505; D21/510;**
D9/636

(58) **Field of Classification Search** D7/539,
D7/505, 506, 507; D21/510, 483; D9/636,
D9/638; 206/457

See application file for complete search history.

(56) **References Cited**

U.S. PATENT DOCUMENTS

D123,428 S *	11/1940	Buckingham	D9/638
D132,904 S *	6/1942	Buckingham	D9/638
D188,135 S *	6/1960	Koenig	D9/638
D228,777 S *	10/1973	Mueller	D21/510
D276,634 S *	12/1984	Pope	D21/510
D342,697 S *	12/1993	Delson	D11/157
5,394,989 A *	3/1995	Delson	206/457
D372,056 S *	7/1996	Norton	D21/510
D383,806 S *	9/1997	Yang	D21/483
D468,966 S *	1/2003	Shareef	D7/506
D566,467 S *	4/2008	Starck	D7/506

D577,952 S *	10/2008	Goode et al.	D7/368
D583,036 S *	12/2008	Nanda	D23/356
D595,538 S *	7/2009	Starck	D7/507
D601,381 S *	10/2009	Stamper	D7/505
D619,691 S *	7/2010	Nanda	D23/356
D631,105 S *	1/2011	Cohen et al.	D21/510
D631,295 S *	1/2011	Kushner	D7/539
D631,697 S *	2/2011	Kushner	D7/506

* cited by examiner

Primary Examiner — Marianne Pandozzi

(74) *Attorney, Agent, or Firm* — Stuart Whittington

(57) **CLAIM**

The ornamental design for a castle dinner set, as shown and described.

DESCRIPTION

FIG. 1 is a front view of a castle dinner set showing my new design;

FIG. 2 is a left side view of FIG. 1;

FIG. 3 is a right side view of FIG. 1;

FIG. 4 is a back view of FIG. 1;

FIG. 5 is a top view of FIG. 1;

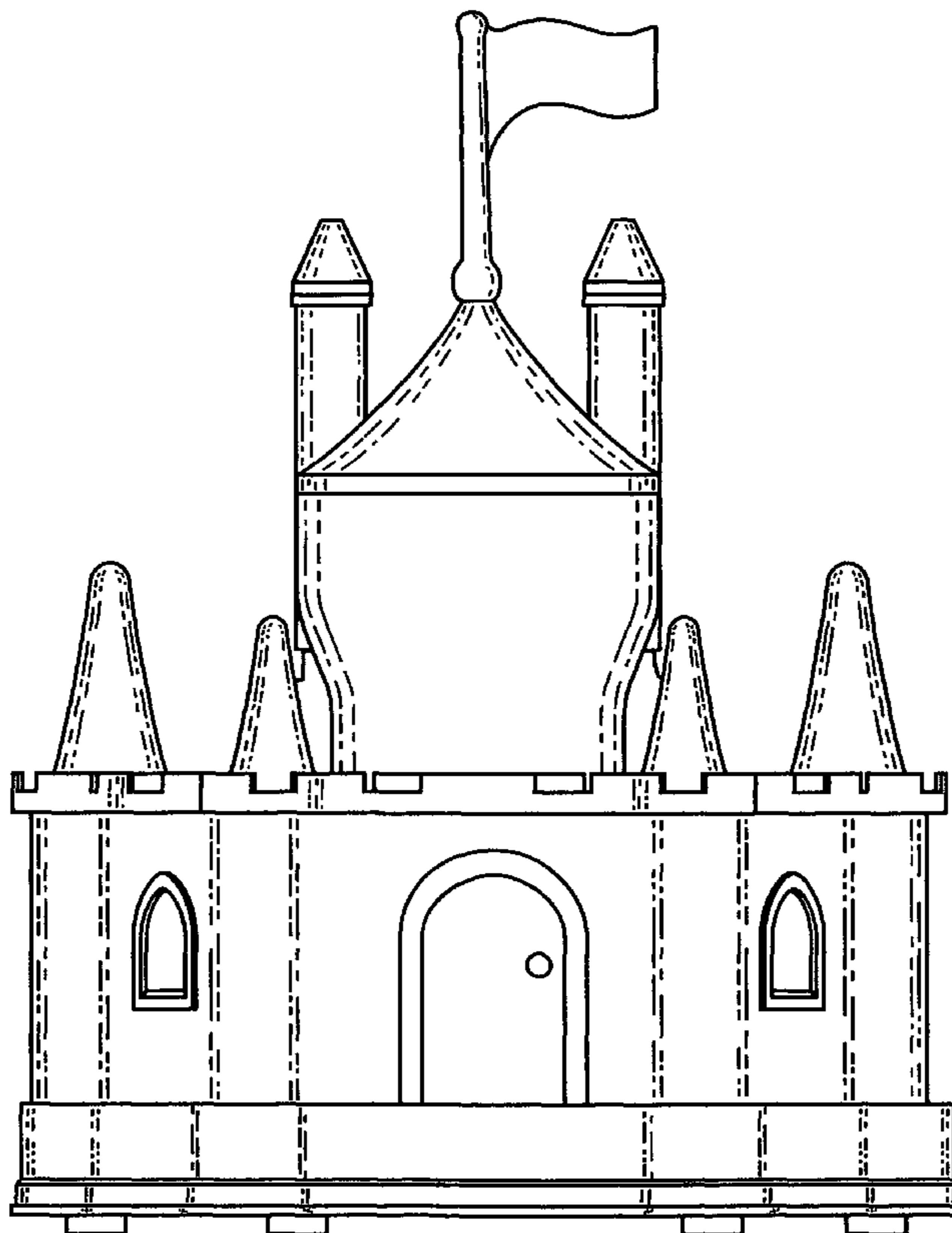
FIG. 6 is a bottom view of FIG. 1;

FIG. 7 is a top front perspective view of FIG. 1;

FIG. 8 is an exploded side and front perspective view of the castle dinner set shown in use as a dinner set; and,

FIG. 9 is an exploded side and front perspective view of the castle dinner set shown in use as a dinner set.

1 Claim, 9 Drawing Sheets



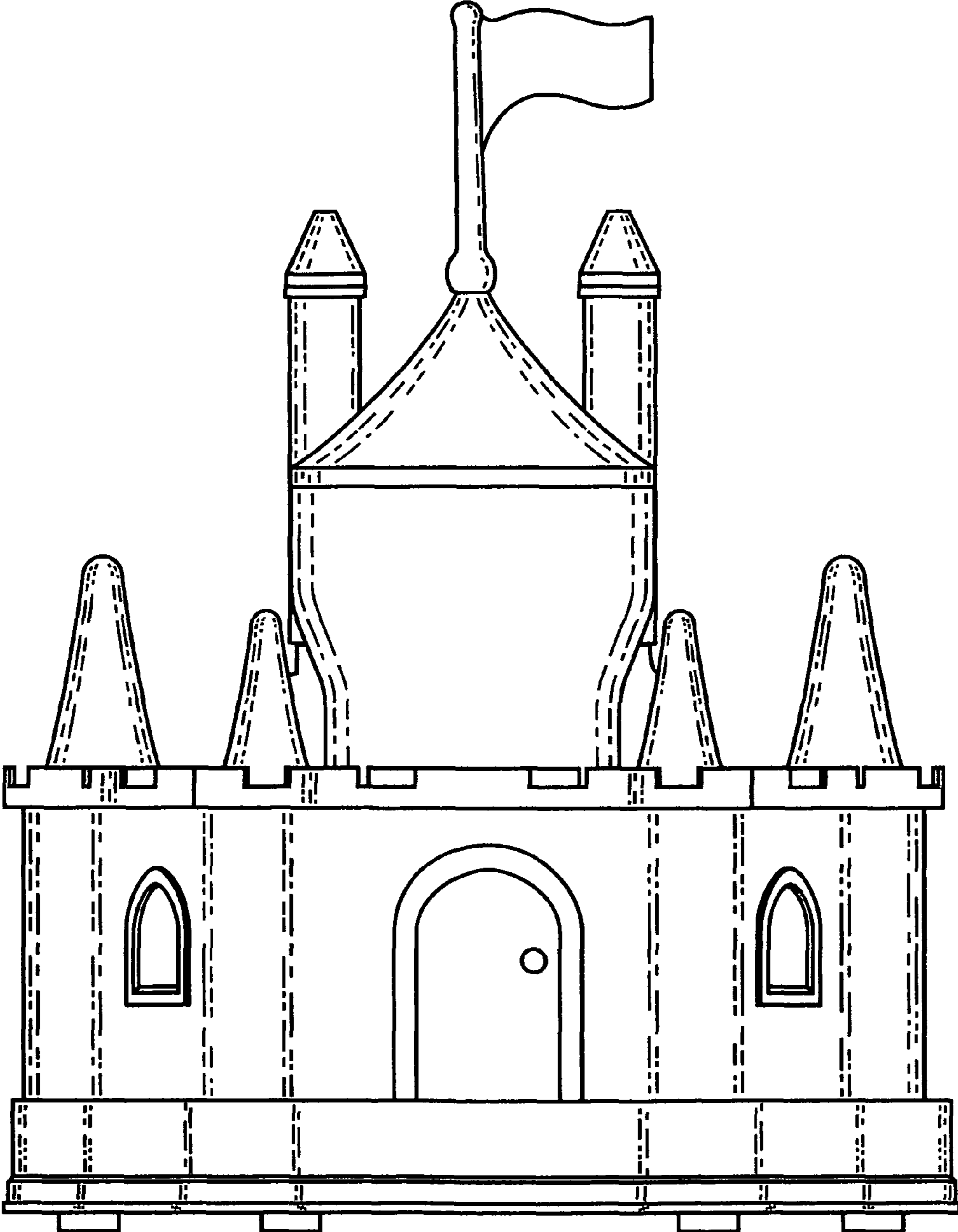


Fig. 1

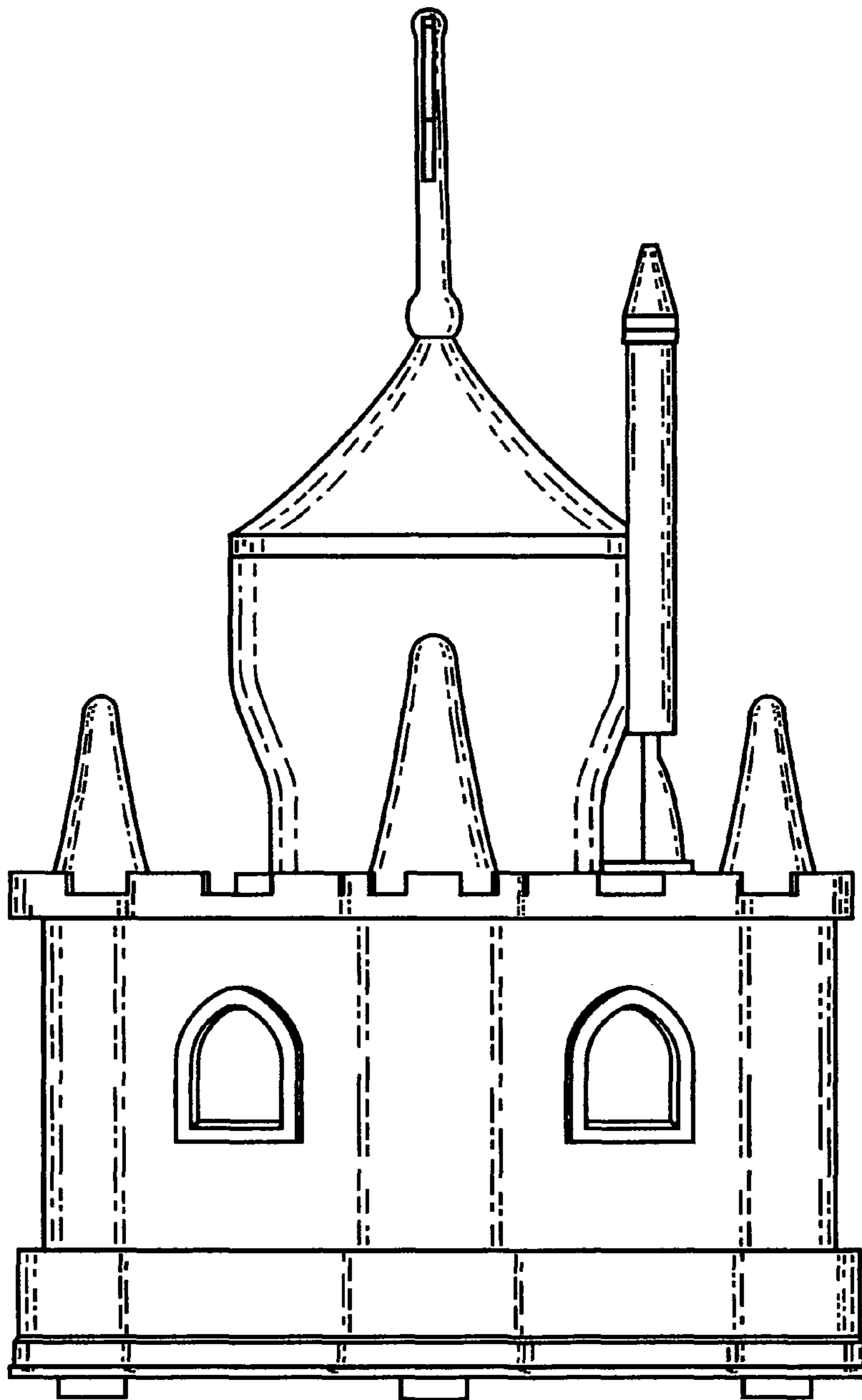


Fig. 2

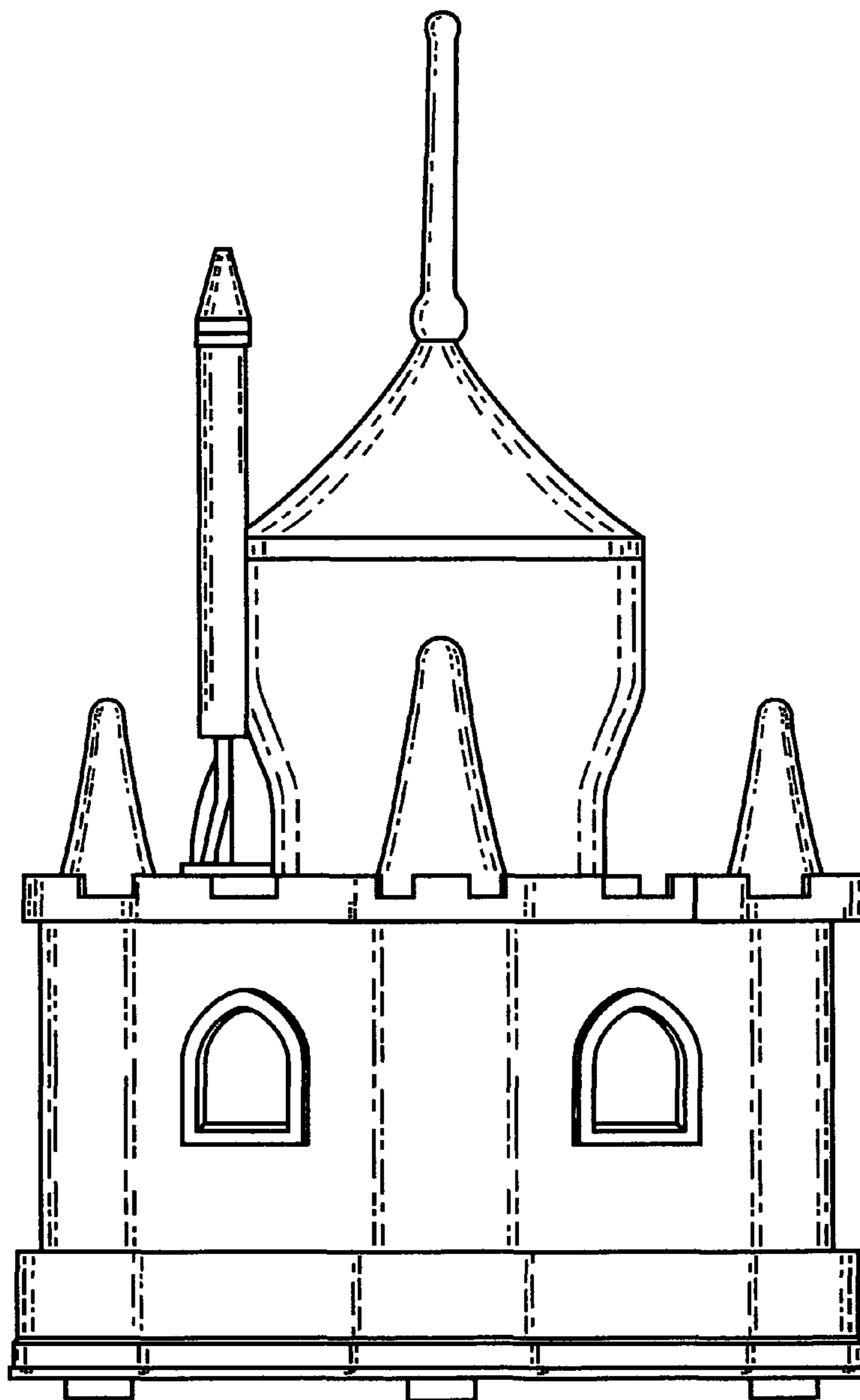


Fig. 3

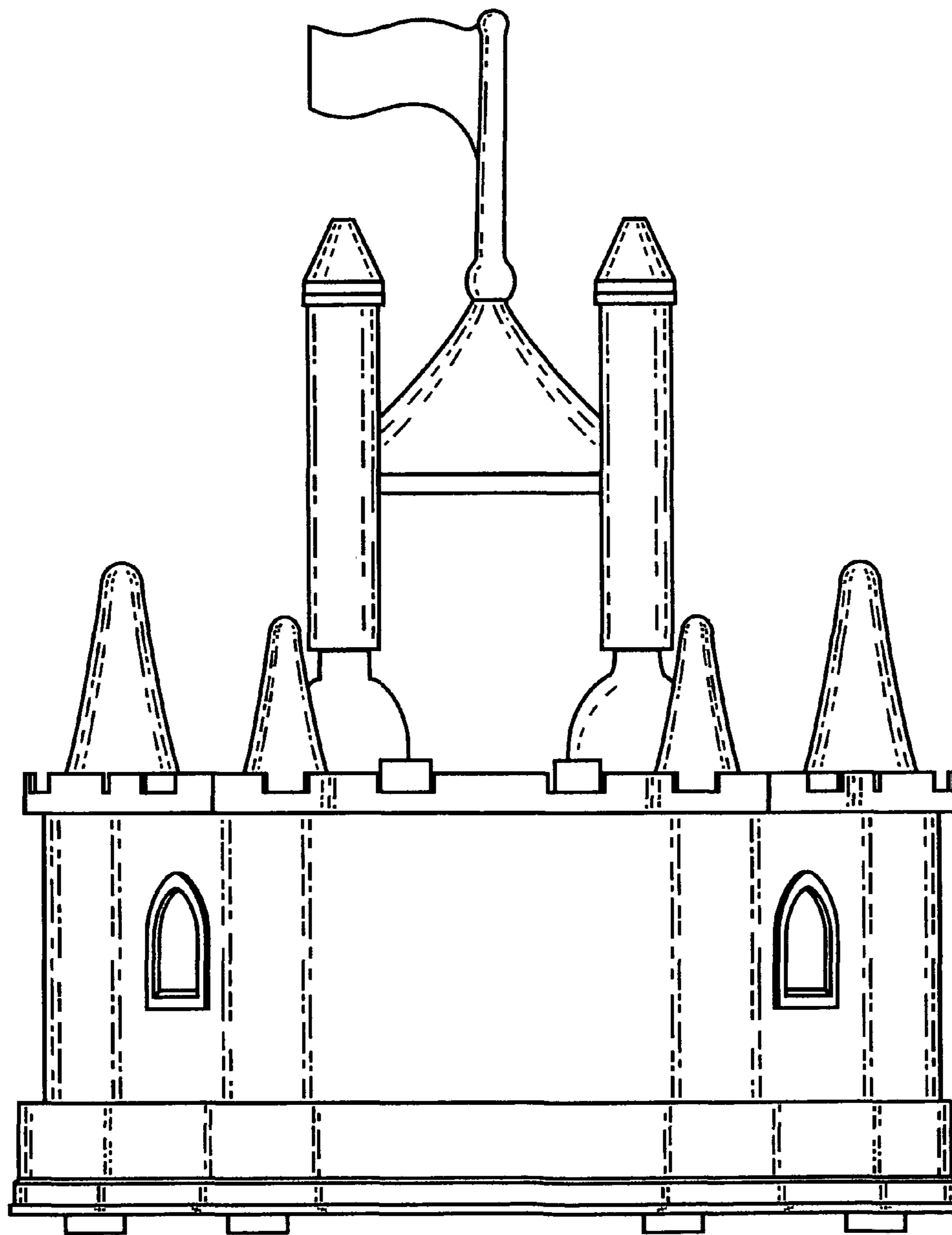


Fig. 4

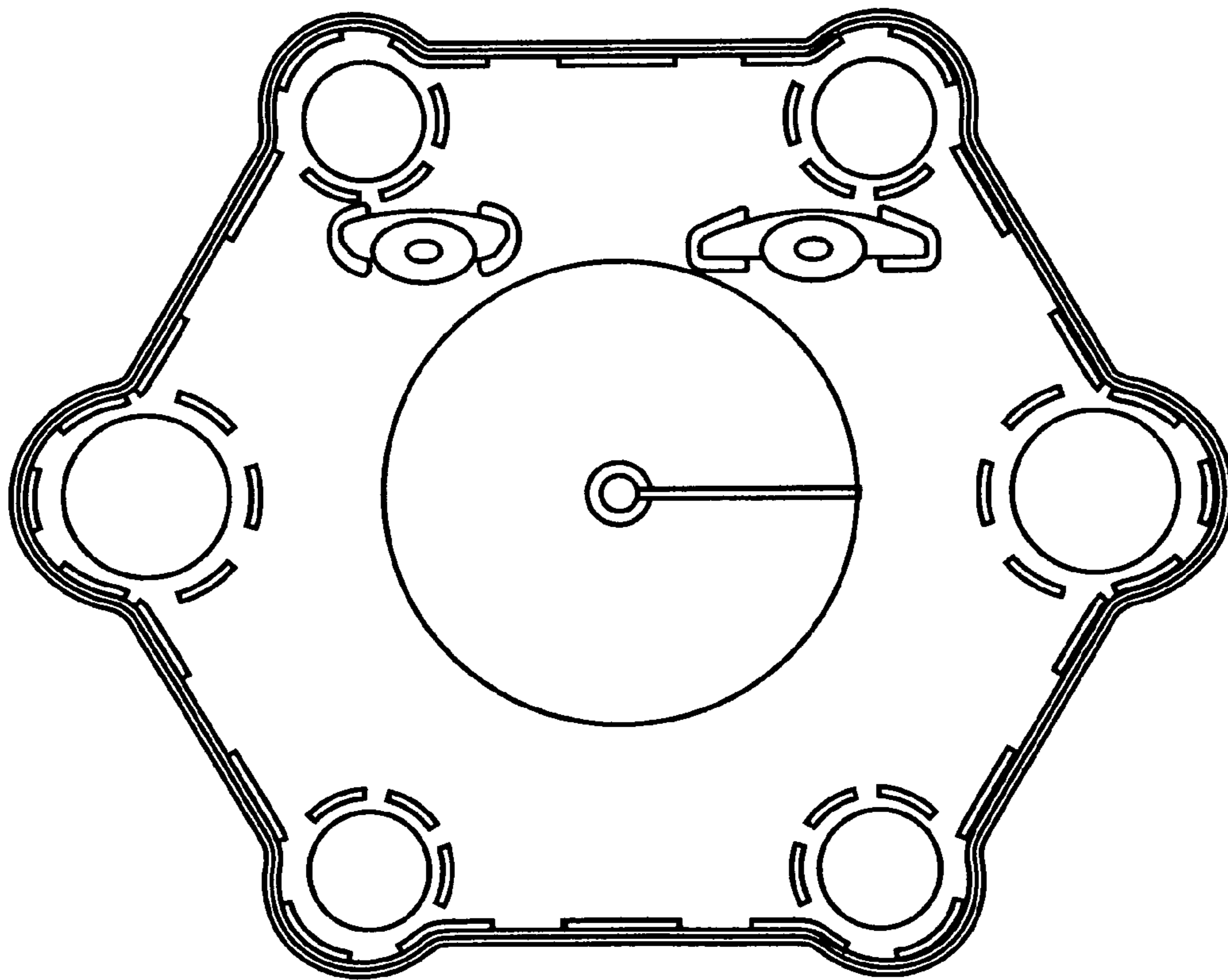


Fig. 5

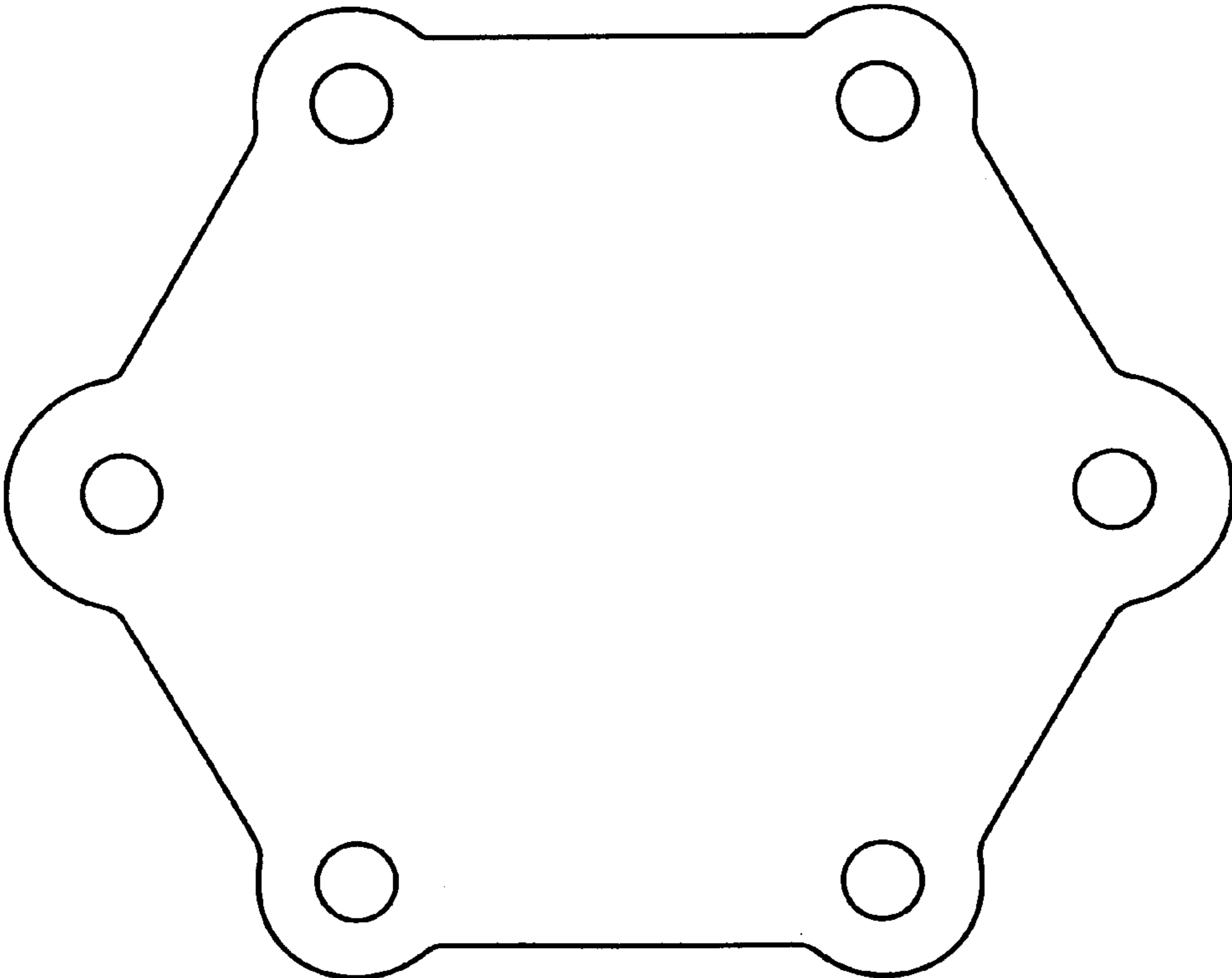


Fig. 6

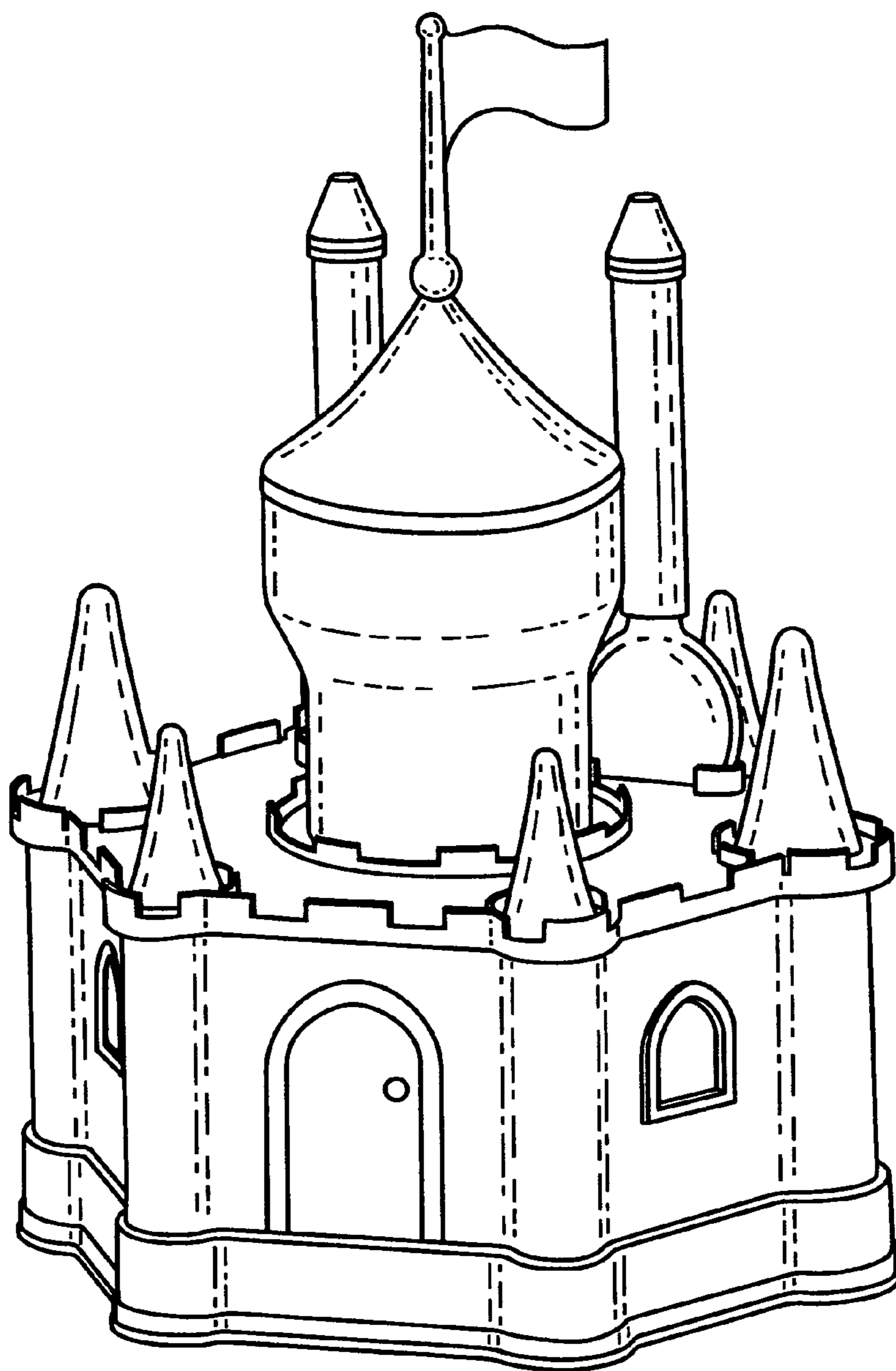


Fig. 7

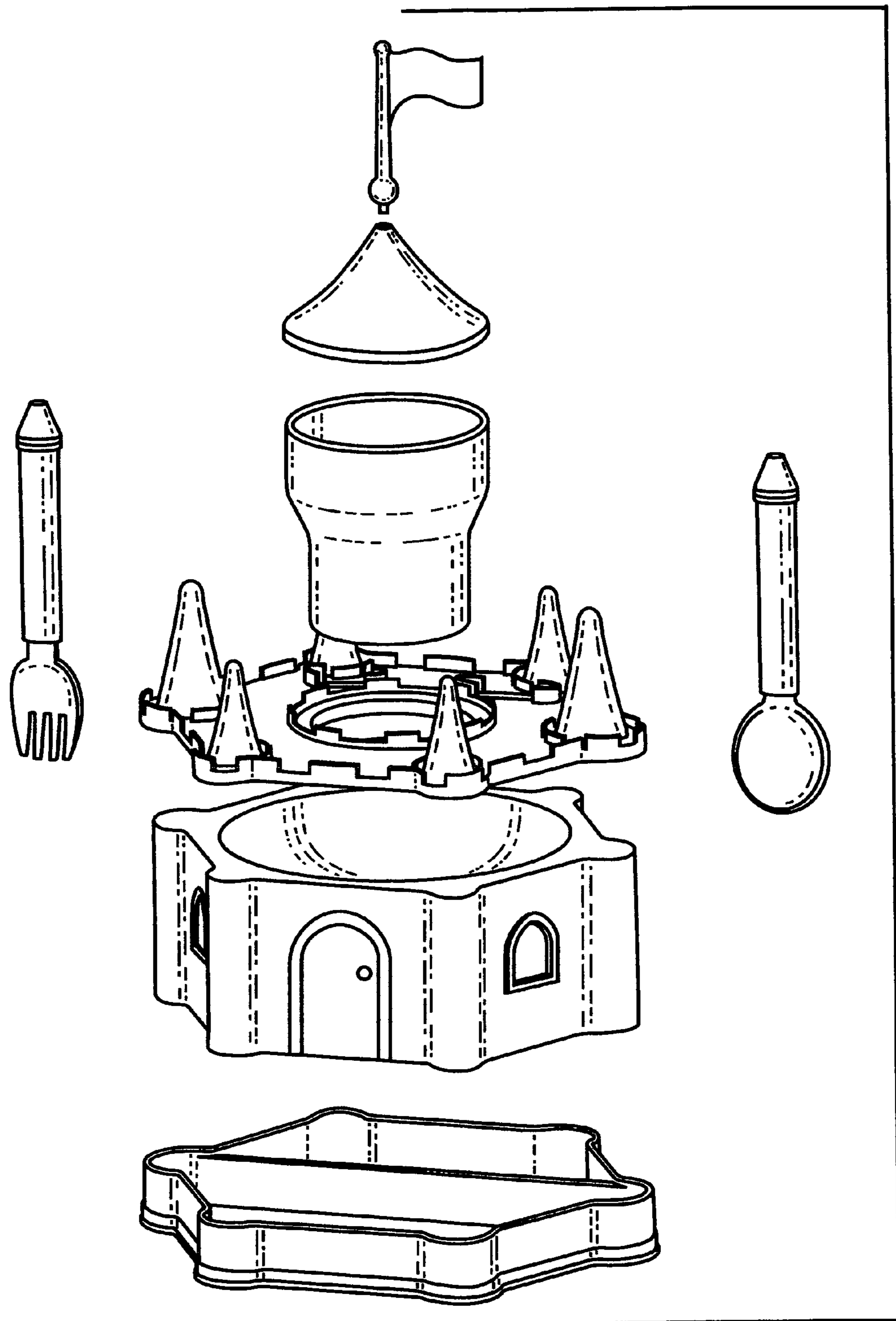


Fig. 8

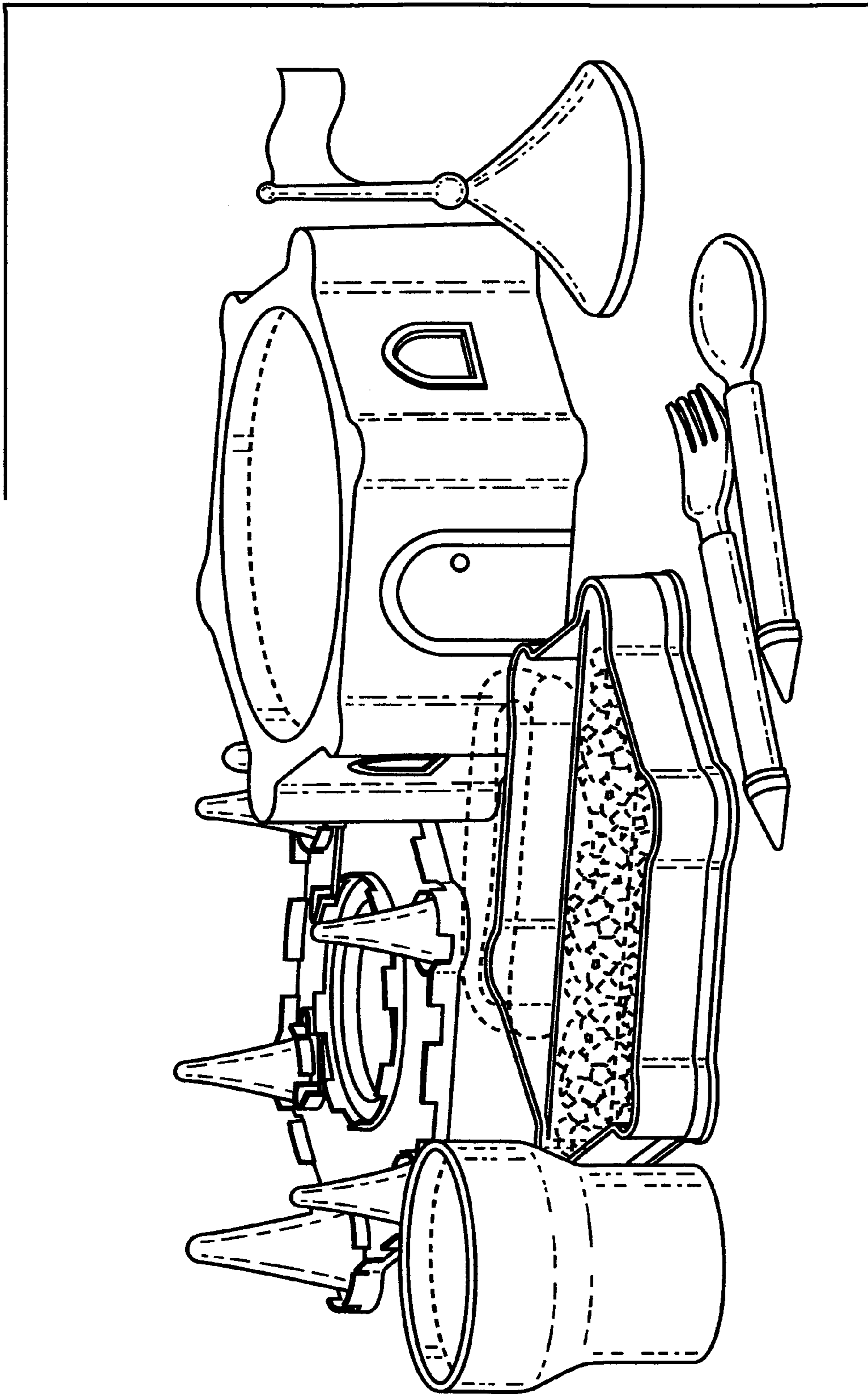


Fig. 9