

US00D644875S

(12) **United States Design Patent**
Audette

(10) **Patent No.:** **US D644,875 S**

(45) **Date of Patent:** **** Sep. 13, 2011**

(54) **BLENDER ATTACHMENT**

(75) Inventor: **David M Audette**, Webster, MA (US)

(73) Assignee: **Euro-Pro Operating LLC**, Newton, MA (US)

(**) Term: **14 Years**

(21) Appl. No.: **29/386,387**

(22) Filed: **Feb. 28, 2011**

(51) **LOC (9) Cl.** **31-00**

(52) **U.S. Cl.** **D7/412; D7/376; D7/378; D7/379**

(58) **Field of Classification Search** D7/305-311,
D7/317-318, 368, 372, 376-386, 391, 412-415,
D7/665; D15/138; 99/326, 348, 508-511;
241/30-37.5, 101.01-101.2, 166-169.1,
241/172, 285.1-285.3, 291, 292.1; 366/64-67,
366/98, 129, 142, 197-211, 241-254, 279-292,
366/325.8, 325.92, 341-347; 416/75-77,
416/70 R, 163

See application file for complete search history.

(56) **References Cited**

U.S. PATENT DOCUMENTS

656,123	A *	8/1900	Kempf	366/284
D221,792	S	9/1971	Moffatt et al.	
4,844,355	A *	7/1989	Kemp et al.	241/172
5,030,011	A *	7/1991	Kronberg	366/279
D328,905	S *	8/1992	Triano	D15/138

D366,596	S *	1/1996	Hewin	D7/412
D403,920	S	1/1999	Pytlewski	
5,865,539	A *	2/1999	Rogers	366/325.8
D421,201	S	2/2000	Crescenzi et al.	
D421,546	S	3/2000	Ekstrom	
6,068,395	A *	5/2000	Ondracek	366/129
6,331,071	B2 *	12/2001	Akamine et al.	366/325.92
6,350,054	B1 *	2/2002	Lee et al.	366/325.92
D499,303	S	12/2004	Huang	
D501,628	S	2/2005	Feil	
D503,588	S	4/2005	Feil	
D506,354	S	6/2005	Nguyen	
D536,577	S	2/2007	Henry et al.	

* cited by examiner

Primary Examiner — Ricky Pham

(74) *Attorney, Agent, or Firm* — Wolf, Greenfield & Sacks, P.C.

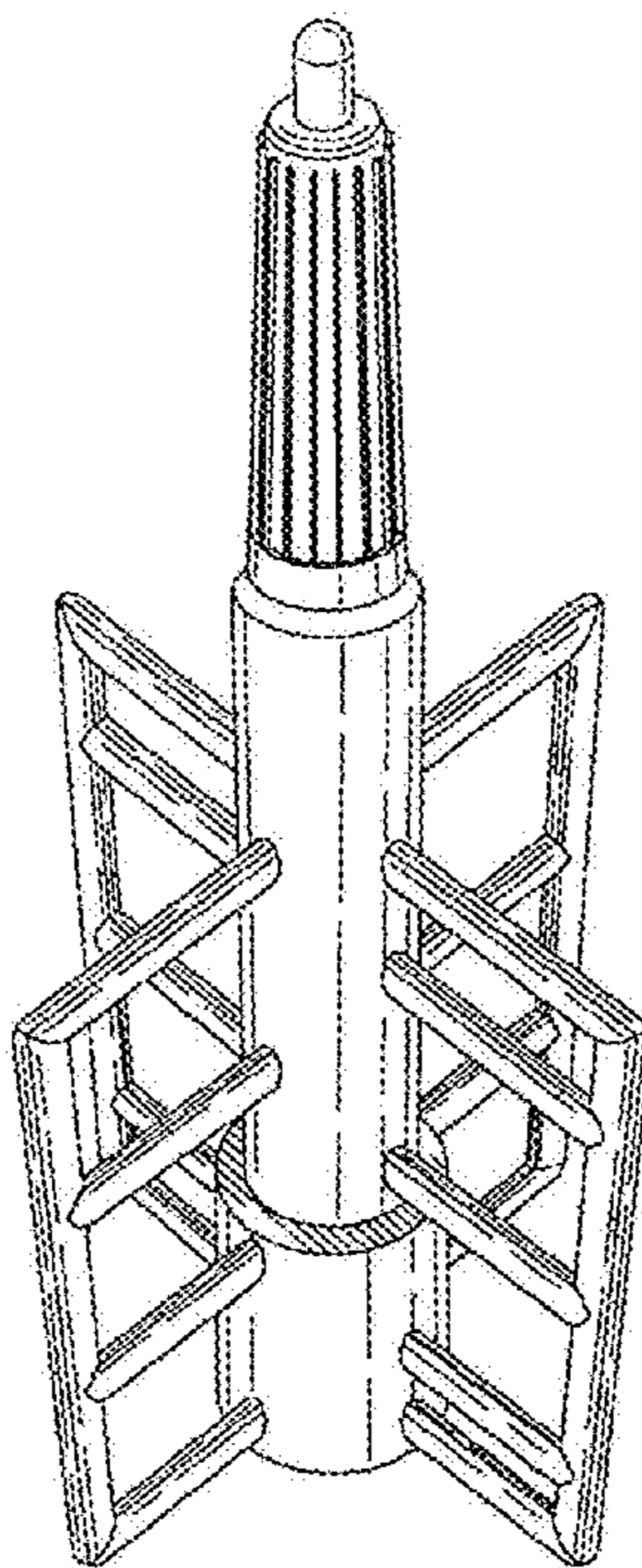
(57) **CLAIM**

The ornamental design of a blender attachment, substantially as shown and described.

DESCRIPTION

FIG. 1 is a perspective view of a blender attachment in accordance with the present design;
FIG. 2 is a front view thereof;
FIG. 3 is a rear view thereof;
FIG. 4 is a left side view thereof;
FIG. 5 is a right side view thereof;
FIG. 6 is a top plan view thereof; and,
FIG. 7 is a bottom plan view thereof.

1 Claim, 2 Drawing Sheets



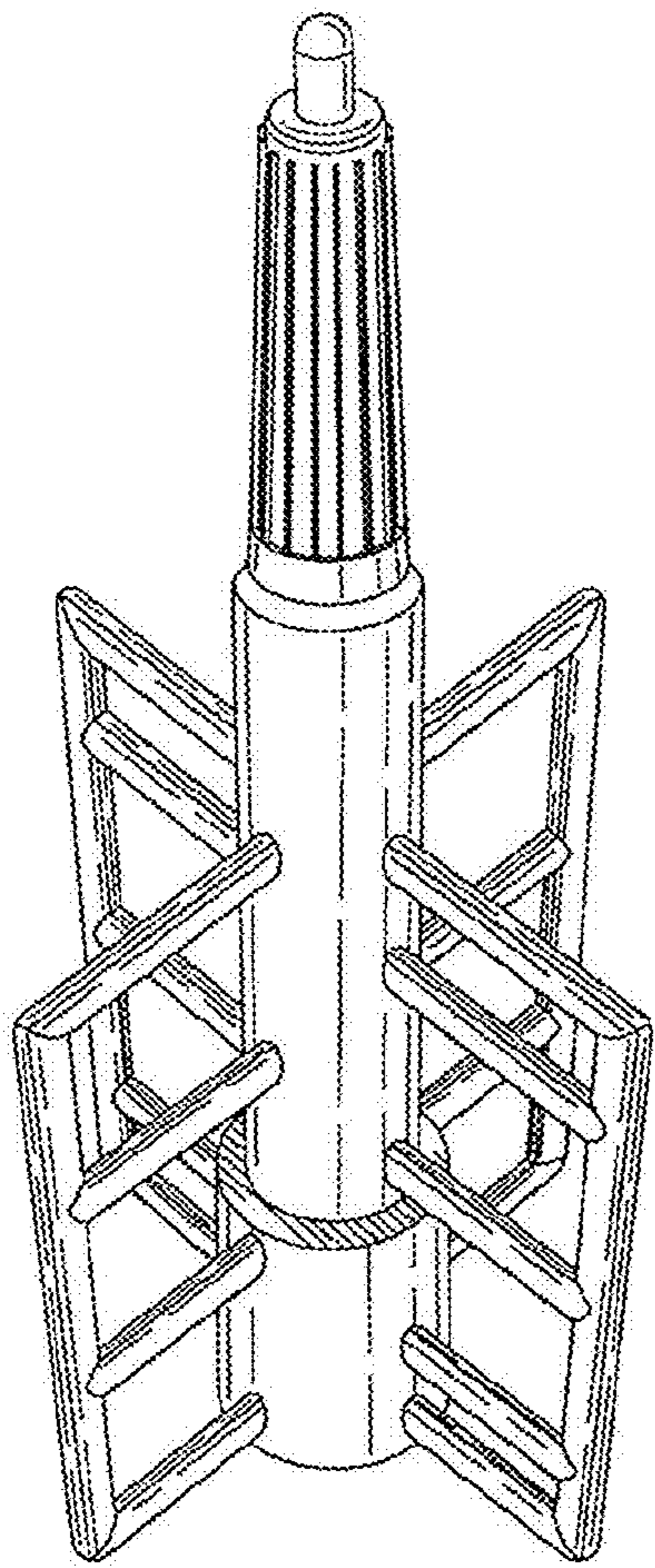


FIG. 1

FIG. 2

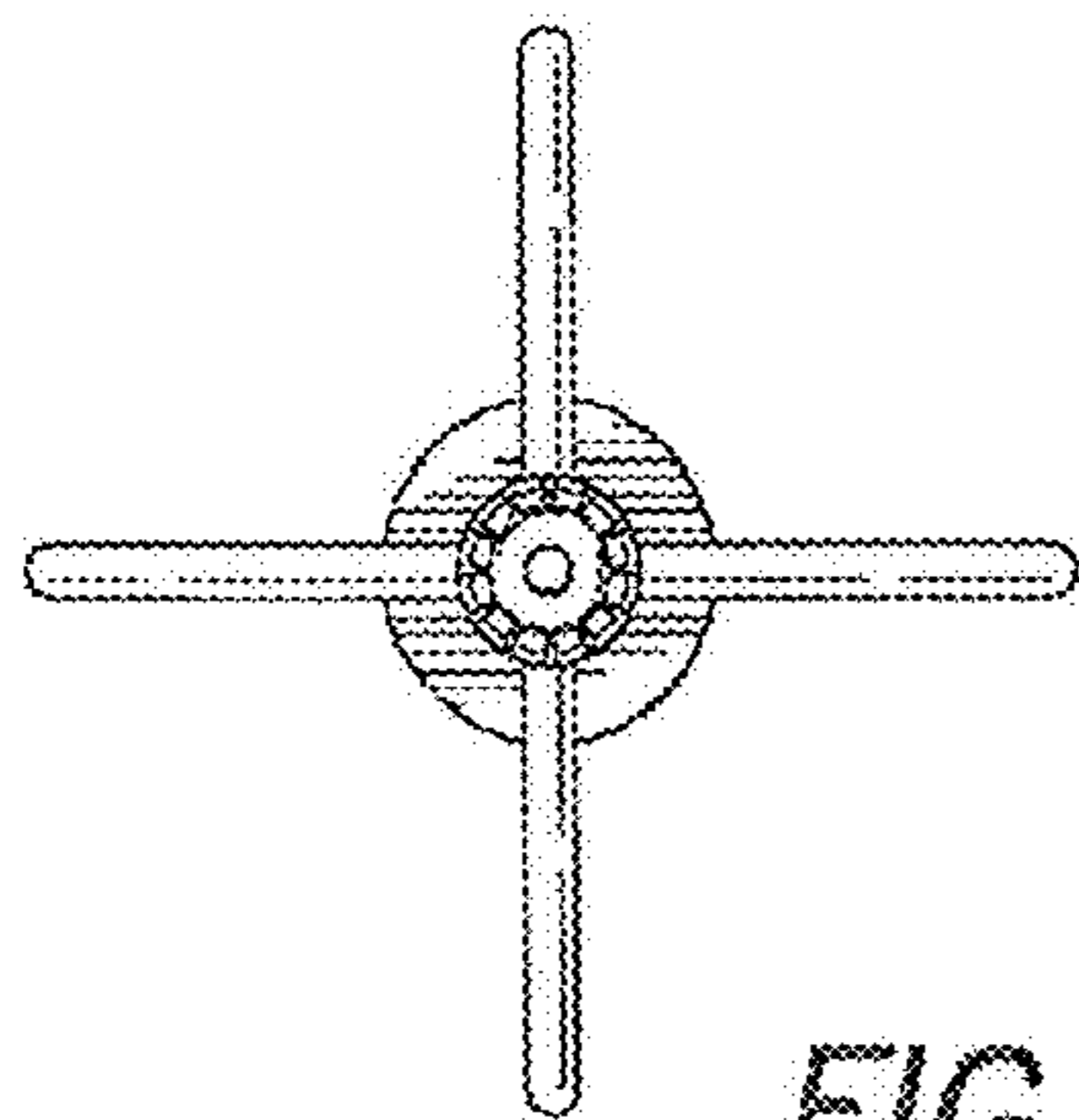
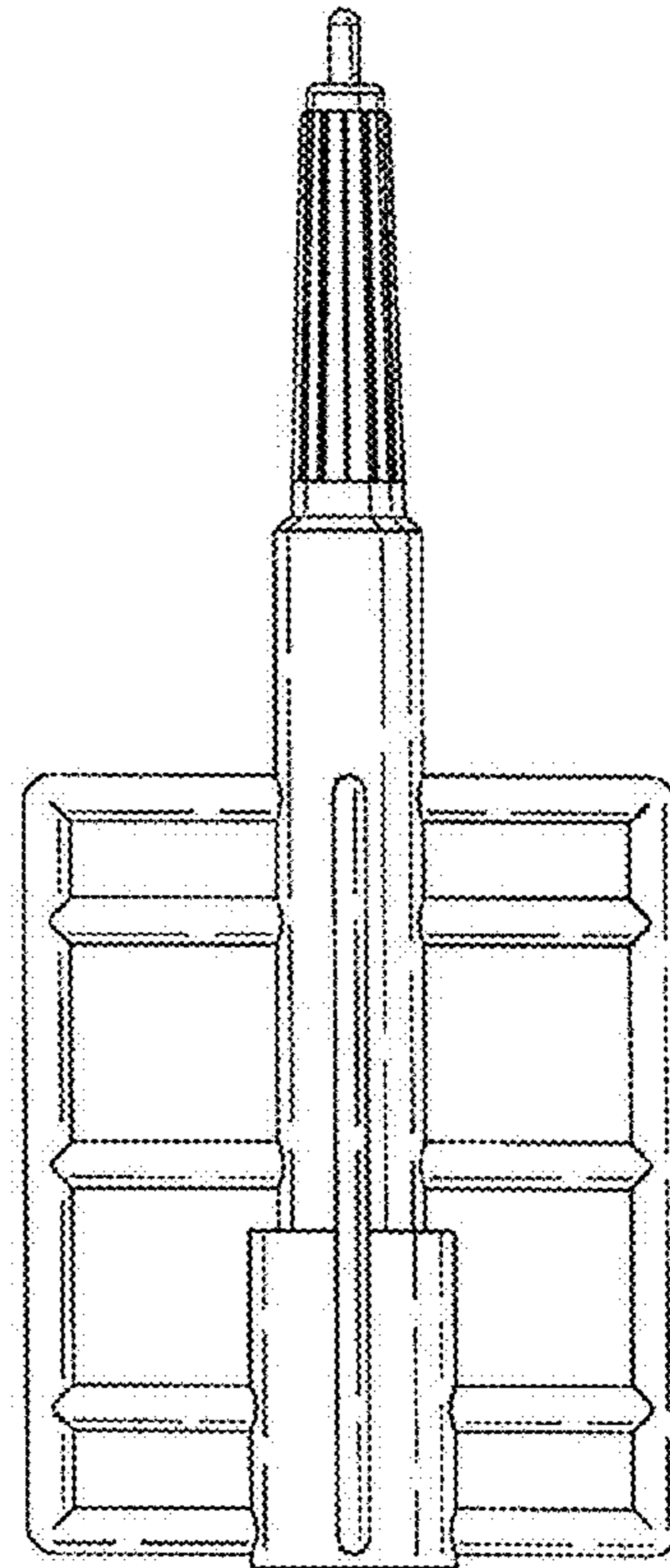
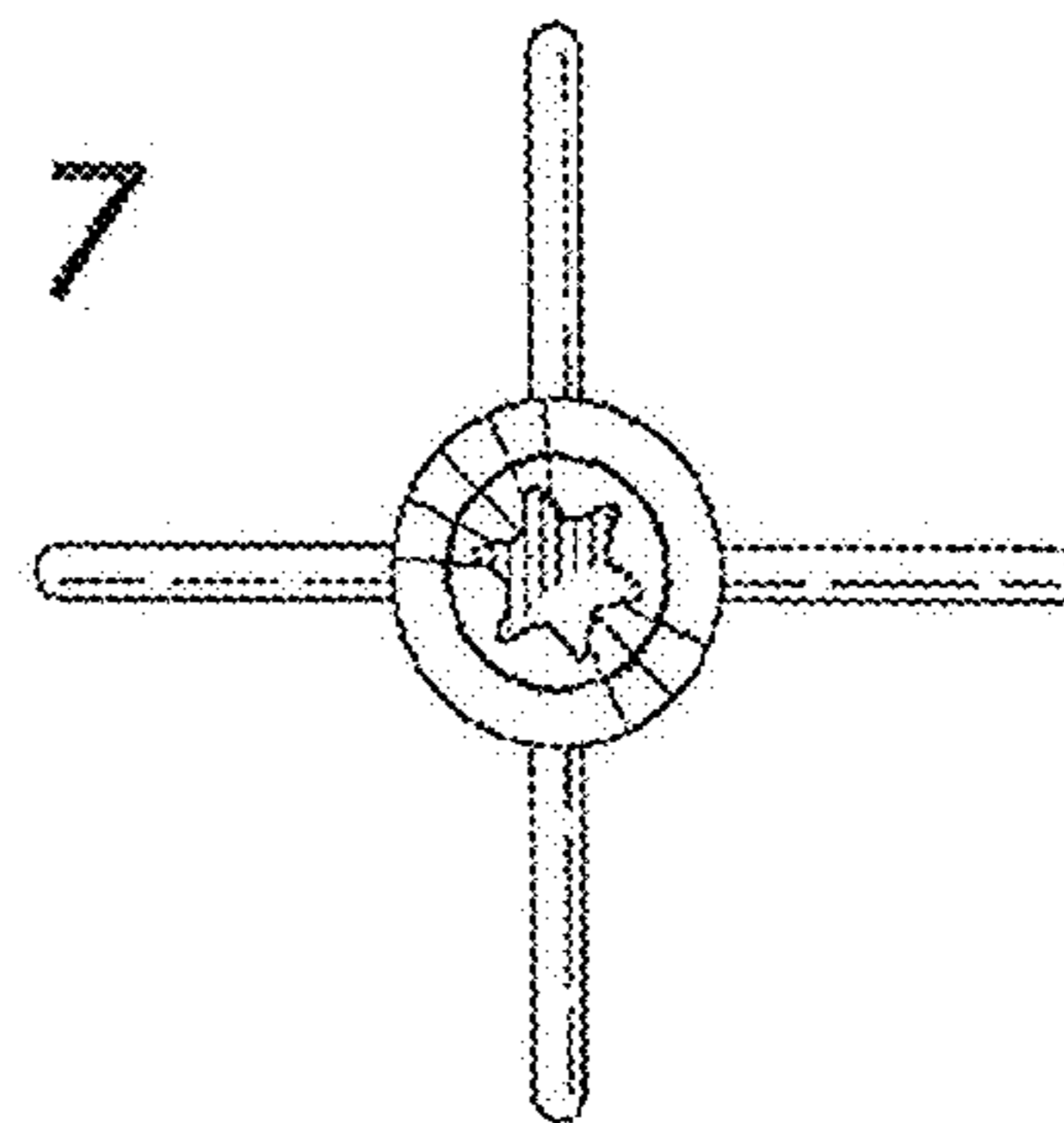


FIG. 6

FIG. 7



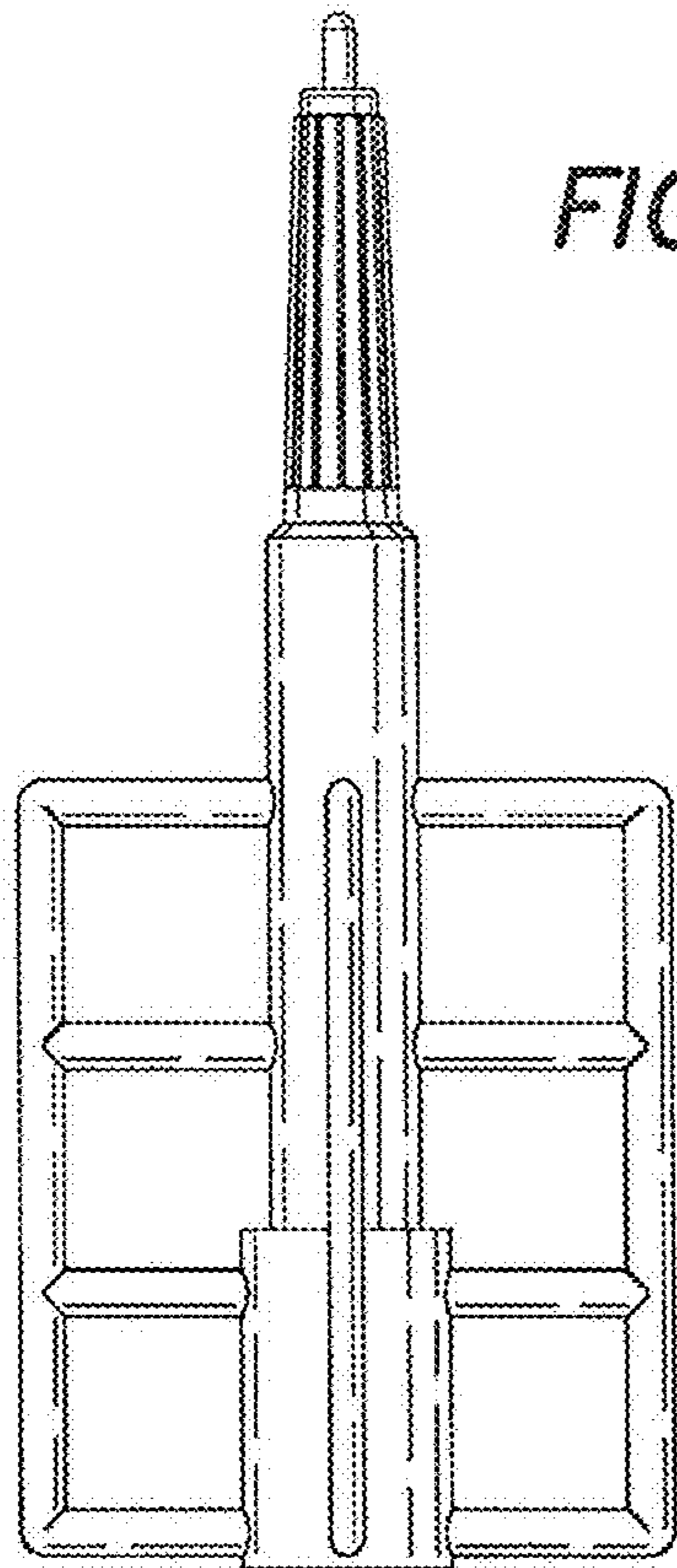


FIG. 4

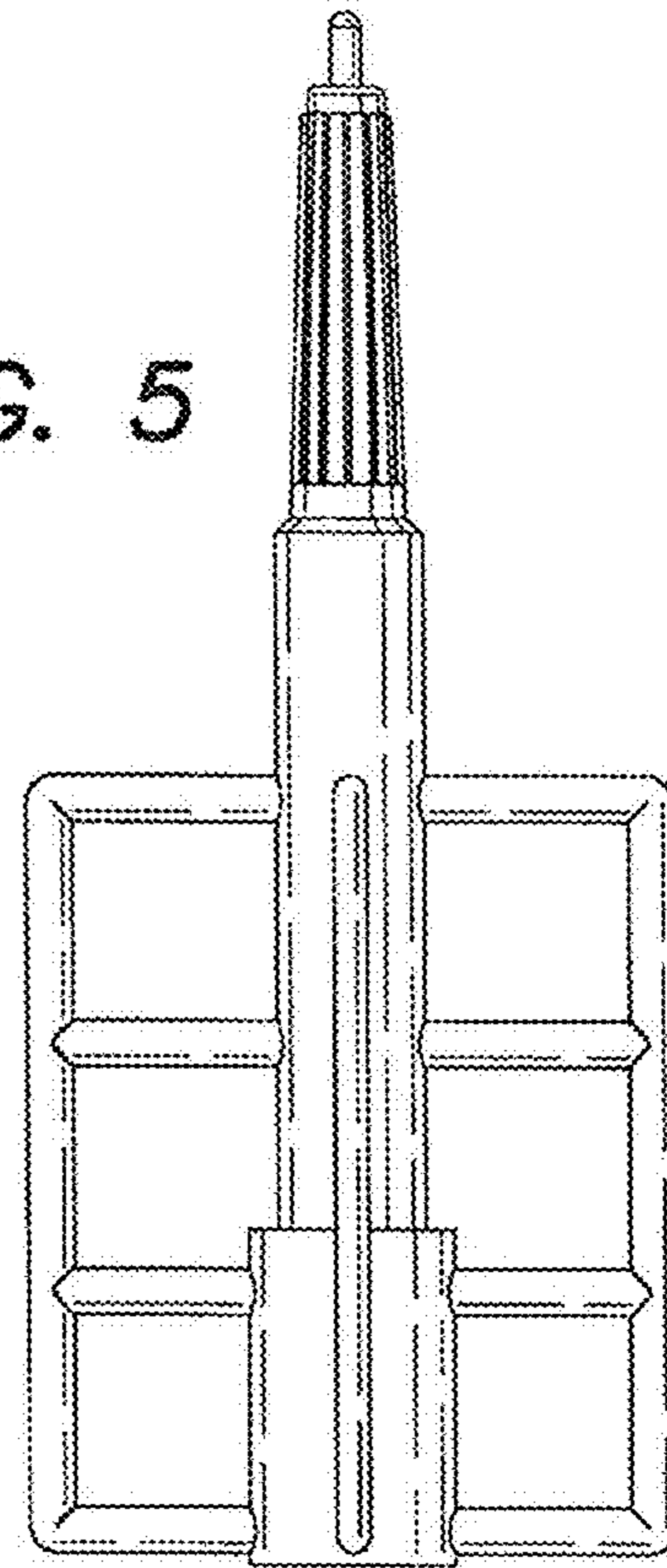


FIG. 5

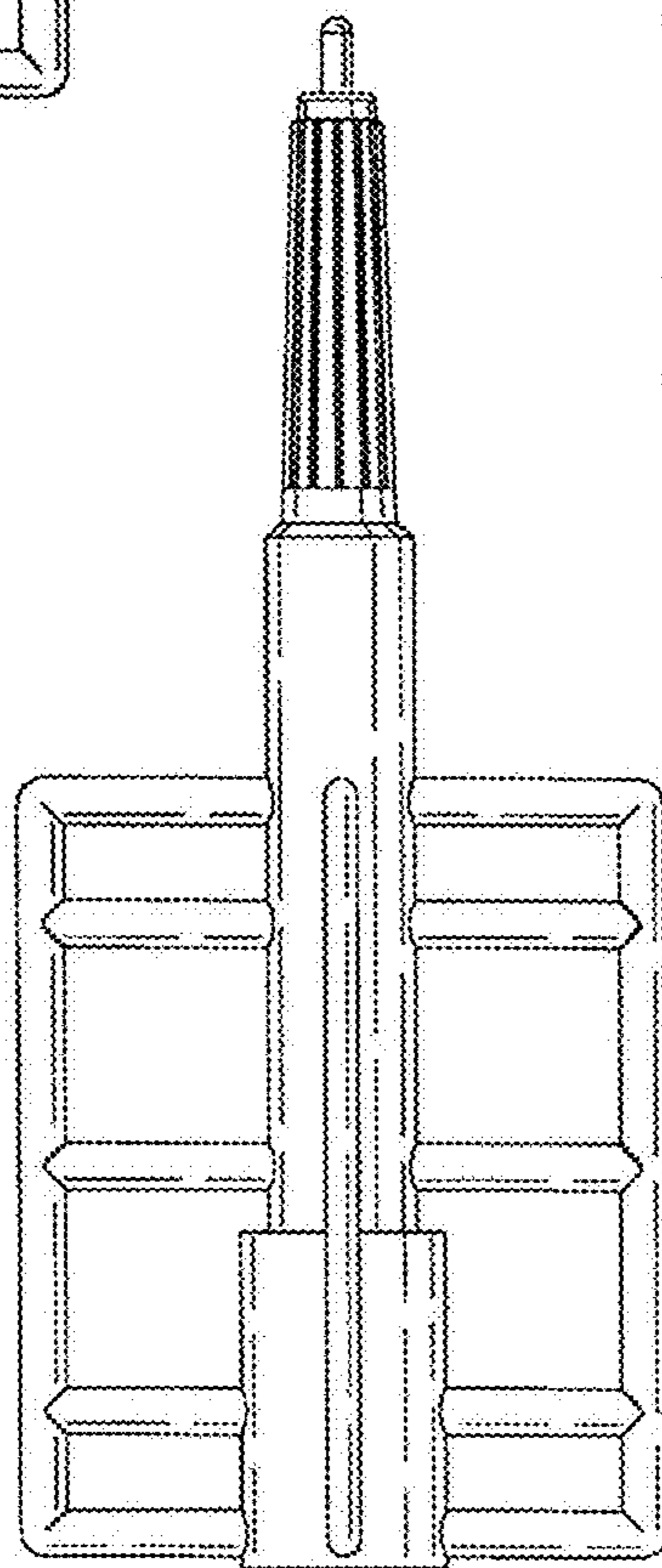


FIG. 3