

US00D644874S

(12) **United States Design Patent**
Saboe et al.

(10) **Patent No.:** **US D644,874 S**
(45) **Date of Patent:** **** Sep. 13, 2011**

(54) **CHAFING DISH FRAME**

(75) Inventors: **J. Michael Saboe**, Charleston, SC (US);
David Raynor, Jr., Myrtle Beach, SC
(US); **John E. Cahill, Sr.**, Myrtle Beach,
SC (US)

(73) Assignee: **Conquest LLC**, Charleston, SC (US)

(**) Term: **14 Years**

(21) Appl. No.: **29/378,381**

(22) Filed: **Nov. 3, 2010**

(51) **LOC (9) Cl.** **07-02**

(52) **U.S. Cl.** **D7/403; D7/355**

(58) **Field of Classification Search** D7/323,
D7/354-361, 365-367, 402, 407-408; 99/324,
99/339, 340, 357; 219/620-622, 429-438,
219/451.1; 220/252, 573.1-574; 248/147;
126/40

See application file for complete search history.

(56) **References Cited**

U.S. PATENT DOCUMENTS

1,701,989 A	2/1929	Elie
D146,832 S	5/1947	O'Connell
D168,905 S	2/1953	O'Connell
3,361,126 A	1/1968	Bloomfield
D213,717 S	4/1969	Rickmeier
4,122,764 A	10/1978	D'Ambra
4,176,593 A	12/1979	Terzian
4,759,276 A	7/1988	Segroves
4,899,722 A	2/1990	Horewitch
4,920,873 A	5/1990	Stevens
5,119,800 A	6/1992	Roberts et al.

(Continued)

Primary Examiner — T. Chase Nelson

Assistant Examiner — Mark Cavanna

(74) *Attorney, Agent, or Firm* — Nelson Mullins Riley &
Scarborough LLP

(57) **CLAIM**

The ornamental design for chafing dish frame, as shown and described.

DESCRIPTION

The present application is related to commonly-assigned U.S. Design patent application Ser. No. 29/378,379, entitled "Chafing Dish," U.S. Design patent application Ser. No. 29/378,383, entitled "Chafer Griddle," U.S. Design patent application Ser. No. 29/378,385, entitled "Chafer Wok," and U.S. Design patent application Ser. No. 29/378,387, entitled "Soup Chafer," which are filed concurrently herewith and which are incorporated by reference herein in their entireties for all purposes.

FIG. 1 shows a perspective view of a chafing dish frame with a wind guard depicted;

FIG. 2 shows a front elevation view of the chafing dish frame of FIG. 1;

FIG. 3 shows a right side elevation view of the chafing dish frame of FIG. 1;

FIG. 4 shows a rear elevation view of the chafing dish frame of FIG. 1;

FIG. 5 shows a left side elevation view of the chafing dish frame of FIG. 1;

FIG. 6 shows a top plan view of the chafing dish frame of FIG. 1;

FIG. 7 shows a bottom plan view of the chafing dish frame of FIG. 1;

FIG. 8 shows a perspective view of a chafing dish frame of FIG. 1 with the wind guard removed for clarity of illustration;

FIG. 9 shows the front elevation view of the chafing dish frame shown in FIG. 2 with the wind guard removed for clarity of illustration;

FIG. 10 shows the right side elevation view of the chafing dish frame shown in FIG. 3 with the wind guard removed for clarity of illustration;

FIG. 11 shows the rear elevation view of the chafing dish frame shown in FIG. 4 with the wind guard removed for clarity of illustration;

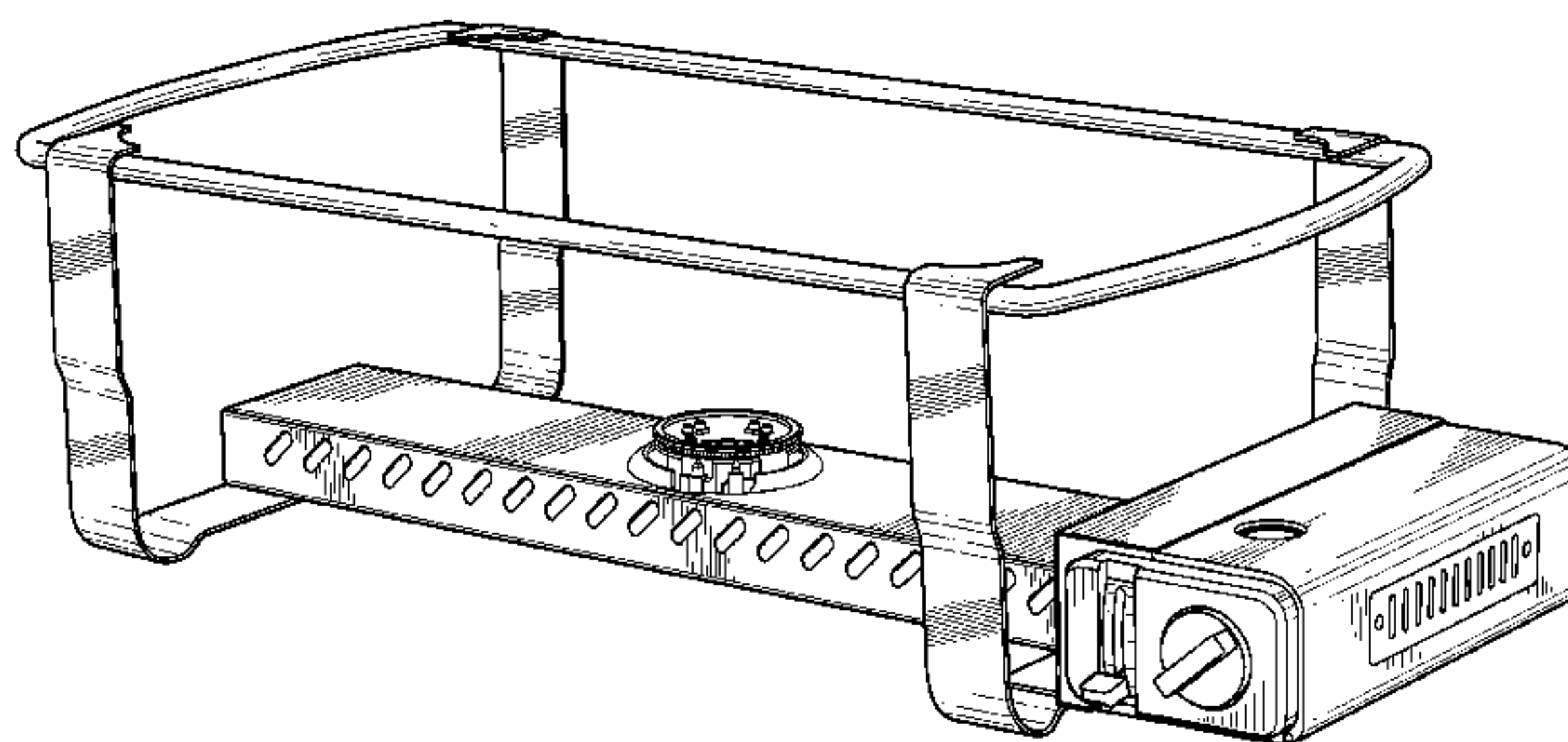
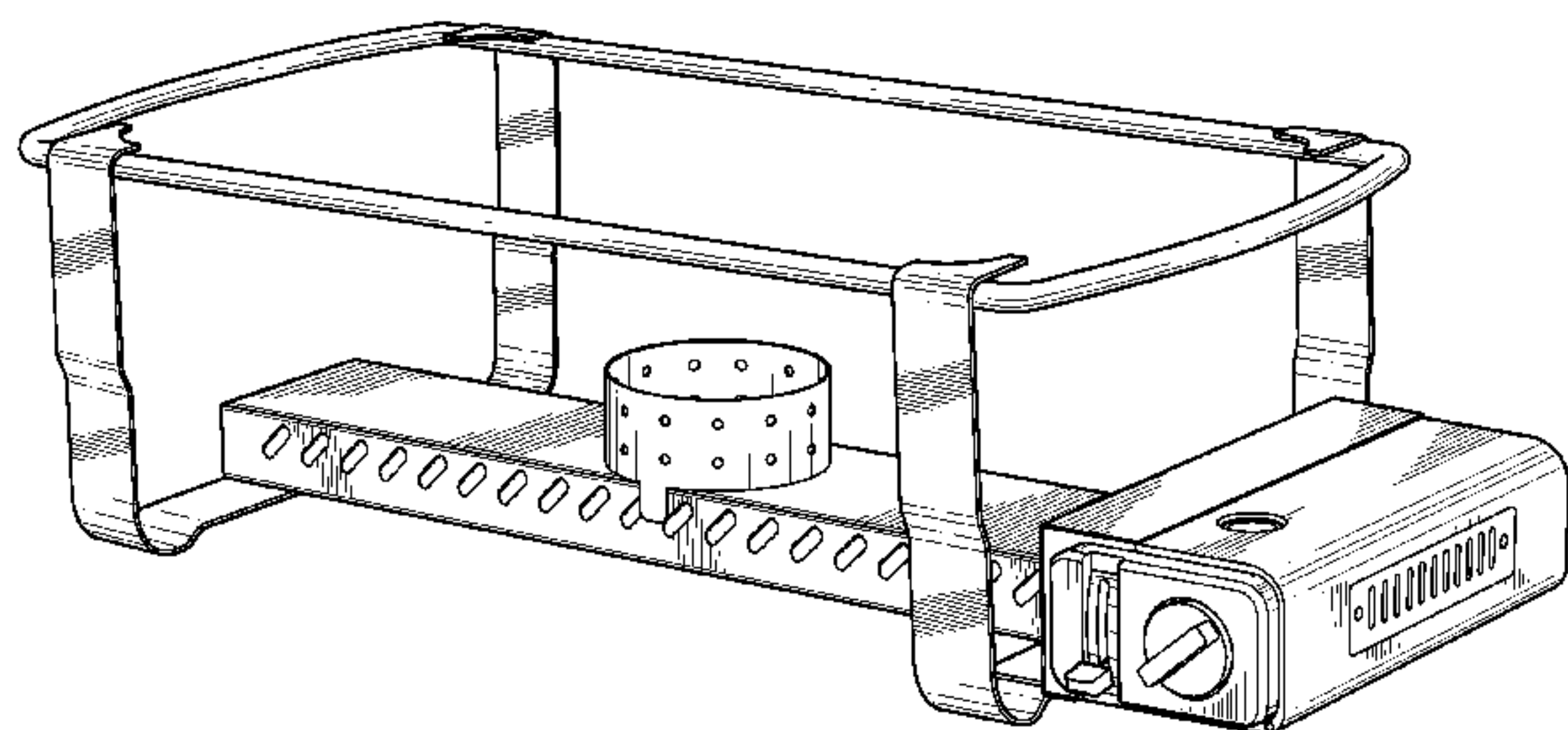
FIG. 12 shows the left side elevation view of the chafing dish frame shown in FIG. 5 with the wind guard removed for clarity of illustration;

FIG. 13 shows the top plan view of the chafing dish frame shown in FIG. 6 with the wind guard removed for clarity of illustration; and,

FIG. 14 shows the bottom plan view of the chafing dish frame shown in FIG. 7 with the wind guard removed for clarity of illustration.

The broken lines are included for the purpose of illustrating portions of the chafing dish frame that form no part of the claimed design.

1 Claim, 14 Drawing Sheets



US D644,874 S

Page 2

U.S. PATENT DOCUMENTS					
5,211,157	A	5/1993 Schwartz et al.	D488,669	S *	4/2004 Tse D7/355
5,241,900	A	9/1993 Piane, Sr.	6,872,920	B2	3/2005 Haber
5,381,729	A	1/1995 Hennessy et al.	6,941,943	B1 *	9/2005 Cahill et al. 126/40
5,819,640	A	10/1998 Cuomo et al.	7,090,094	B2	8/2006 Wade
D401,805	S *	12/1998 Benz D7/355	D548,001	S *	8/2007 Gross D7/355
5,977,521	A	11/1999 Mehta et al.	7,708,006	B2	5/2010 Sun
5,979,428	A	11/1999 Greene, Jr.	2003/0192525	A1	10/2003 Ruiseco
D434,268	S *	11/2000 Yu D7/355	2005/0076795	A1	4/2005 Riddle
6,468,072	B2	10/2002 Shook	2005/0150395	A1	7/2005 Olekaibe et al.
D468,580	S *	1/2003 Ruiseco D7/355	2005/0167381	A1	8/2005 Fariello
6,593,551	B2	7/2003 Haber	2006/0090744	A1	5/2006 Wojcik et al.

* cited by examiner

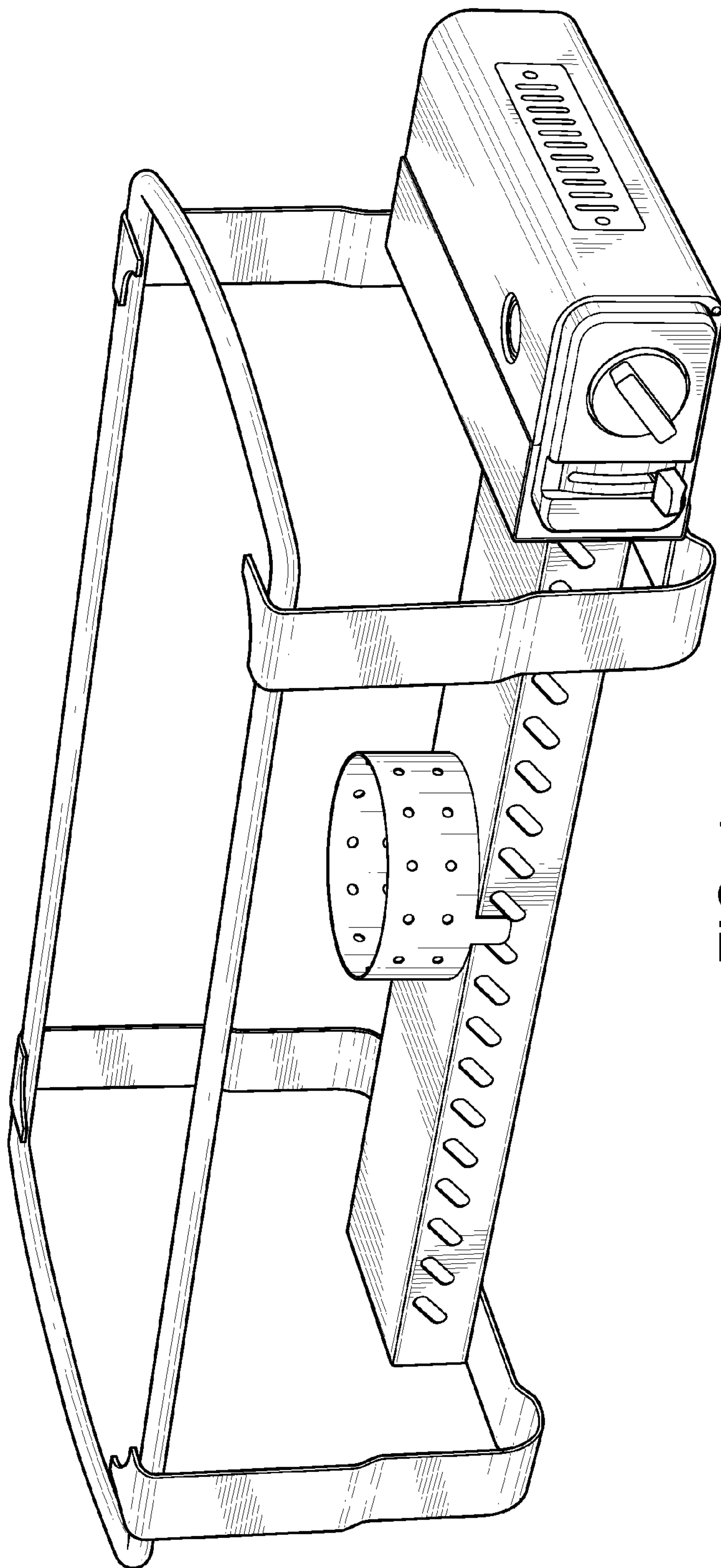


FIG. 1

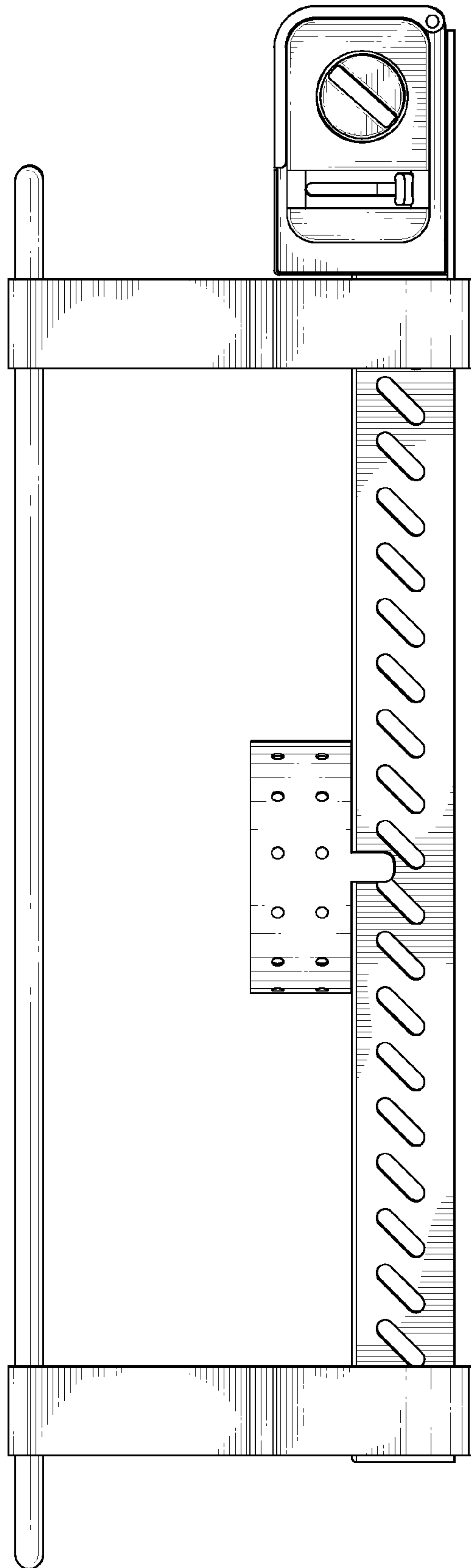


FIG. 2

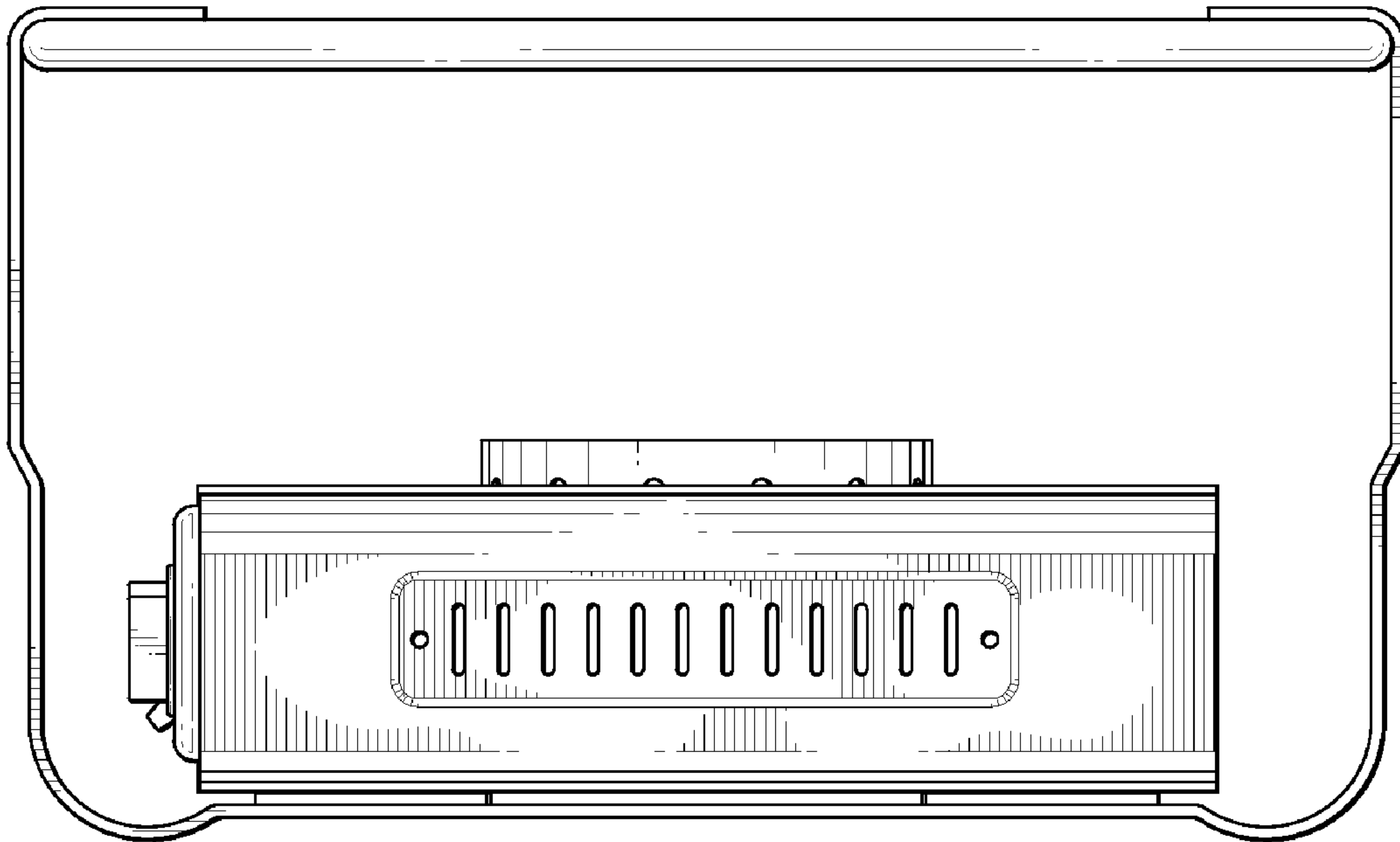


FIG. 3

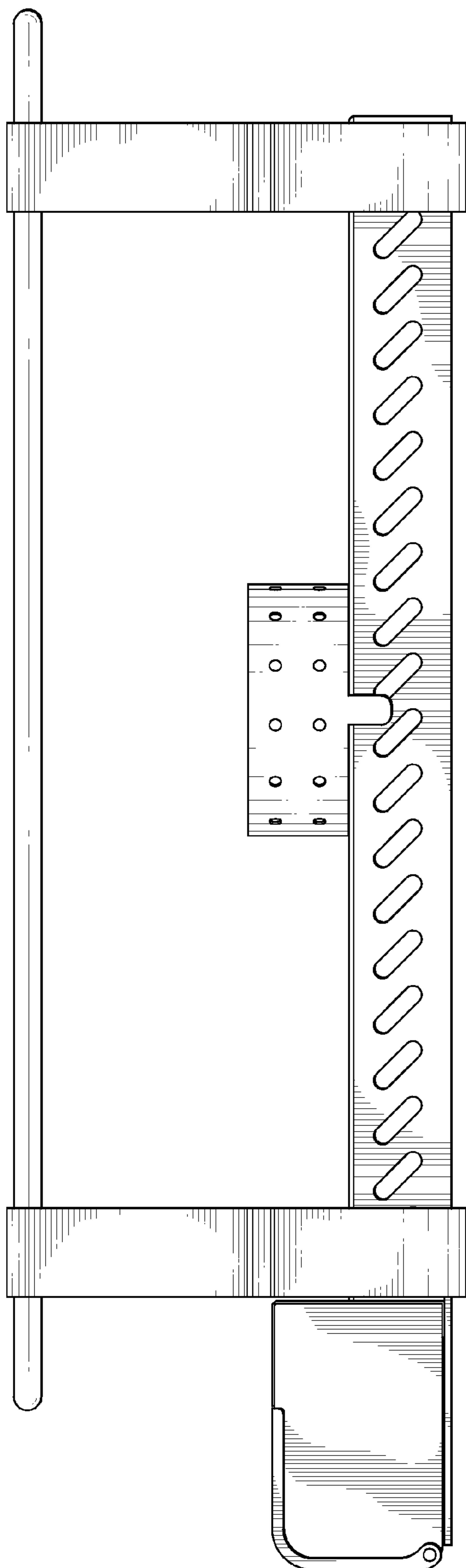


FIG. 4

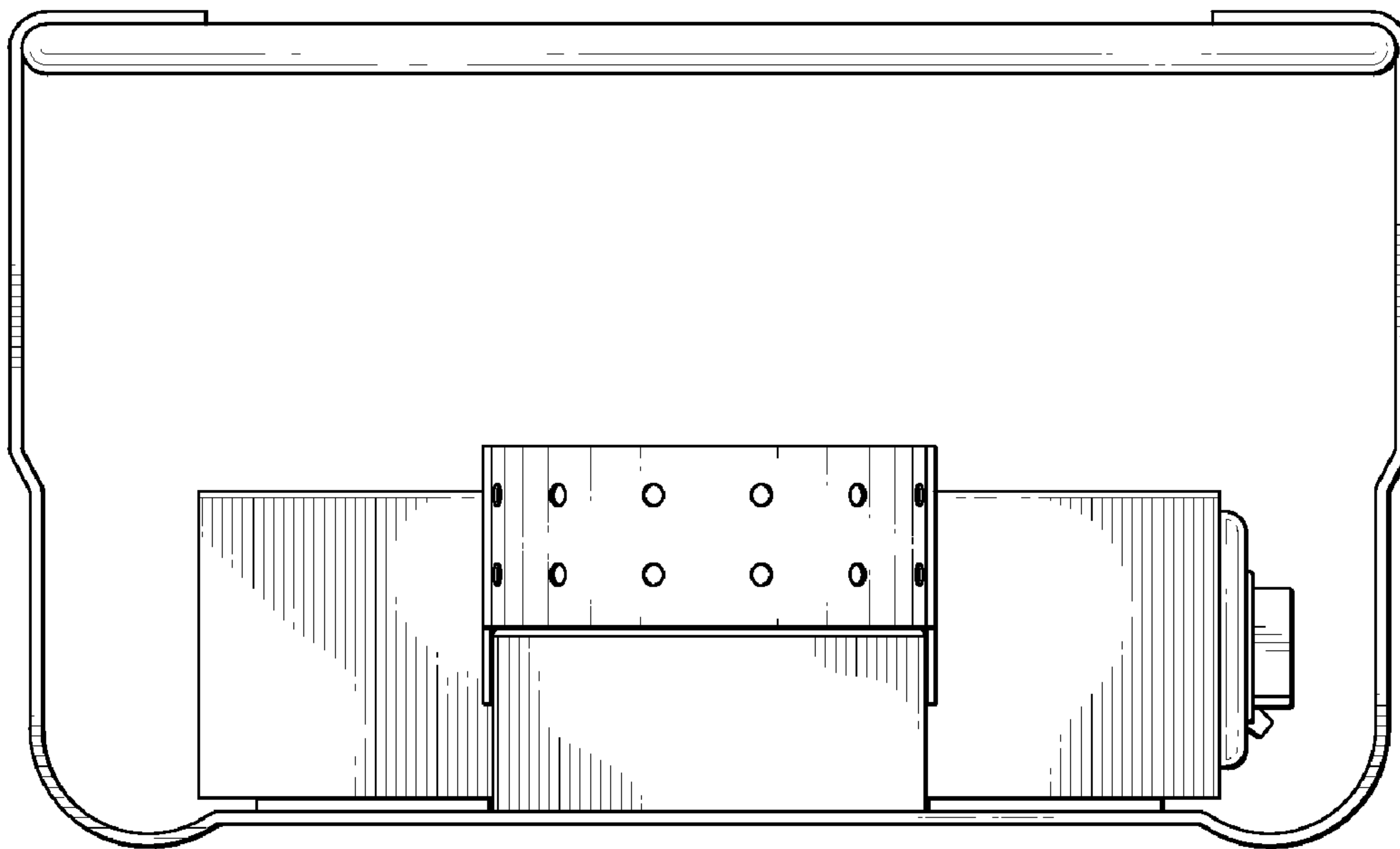


FIG. 5

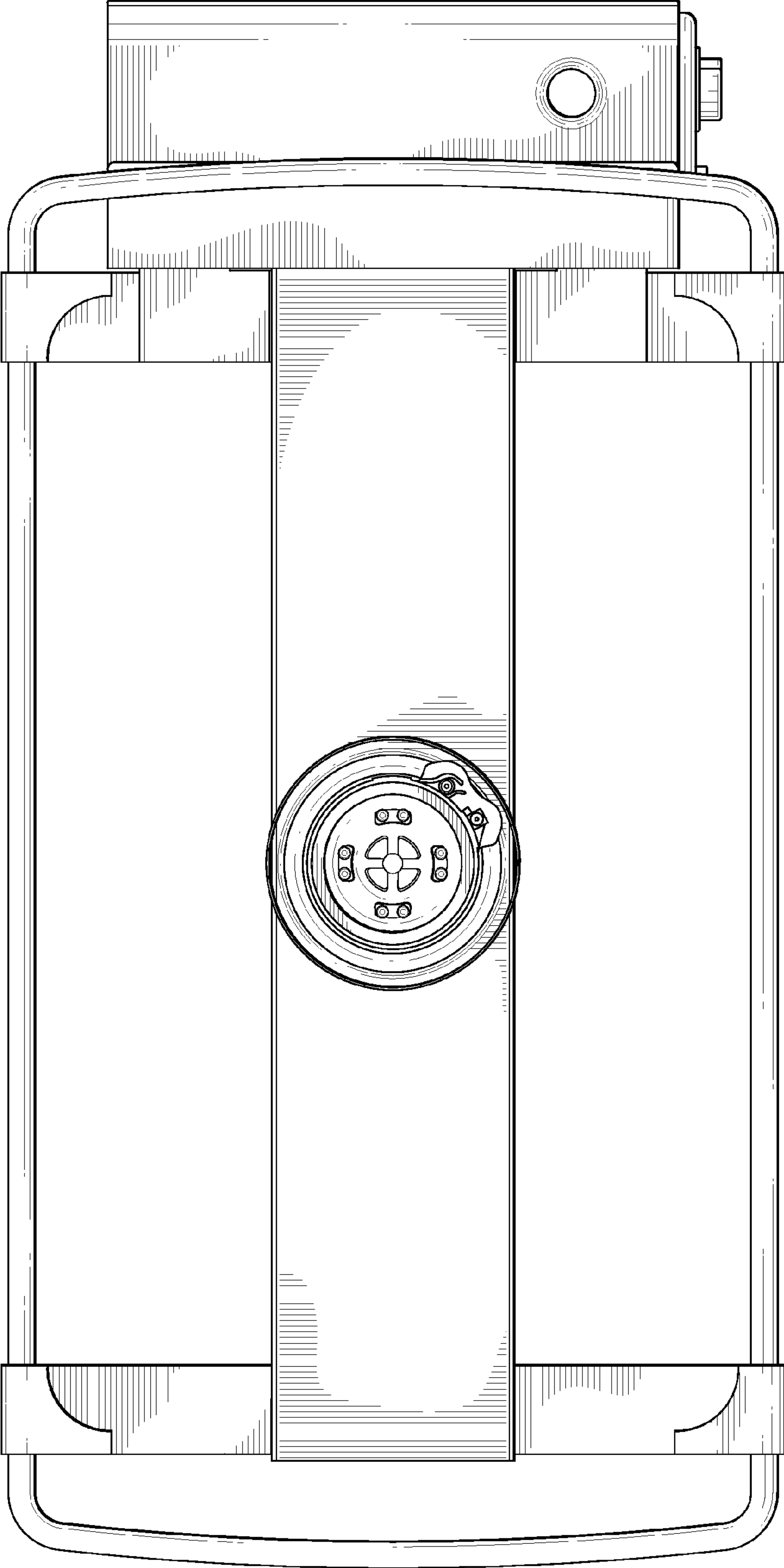


FIG. 6

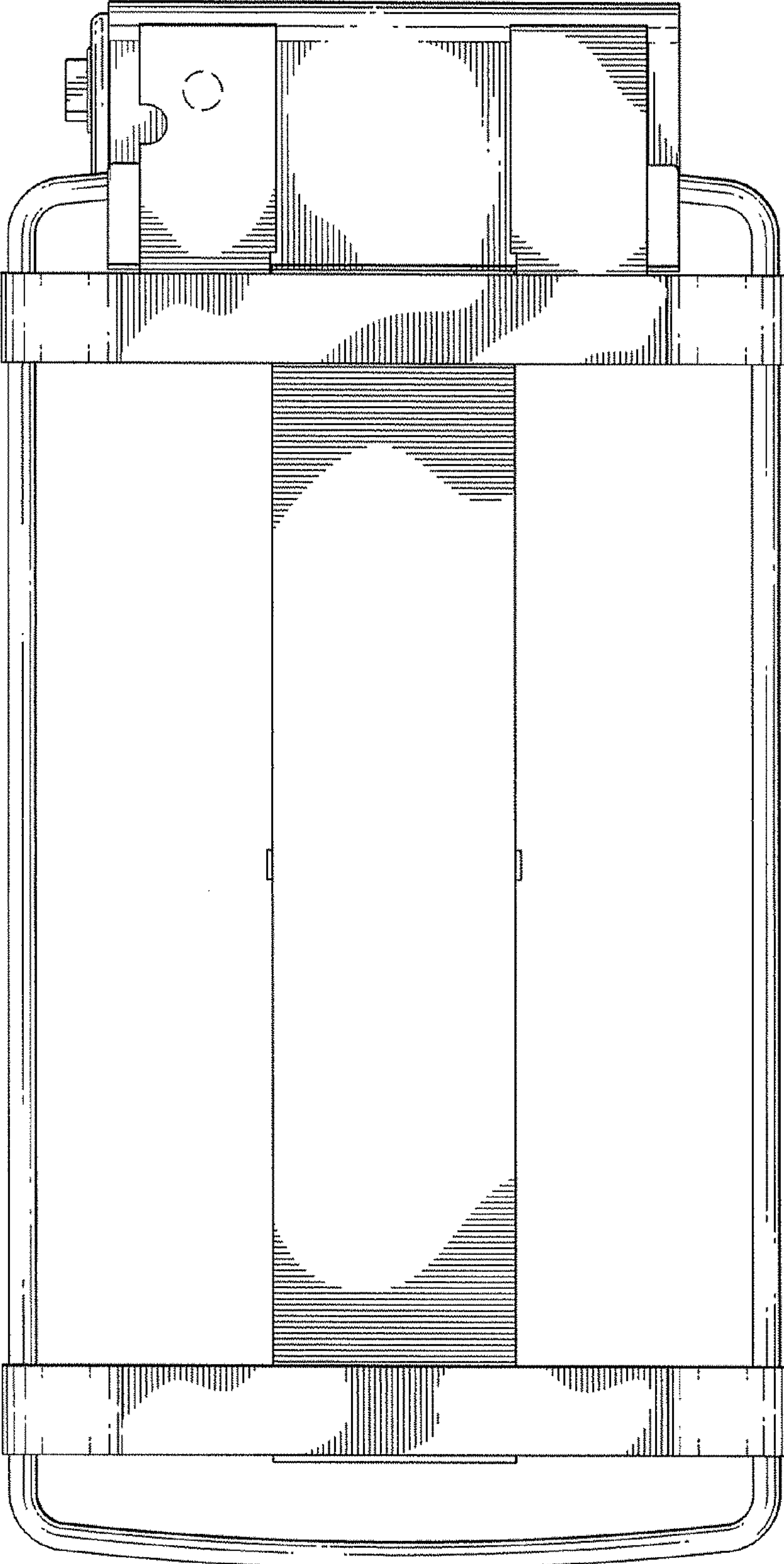


FIG. 7

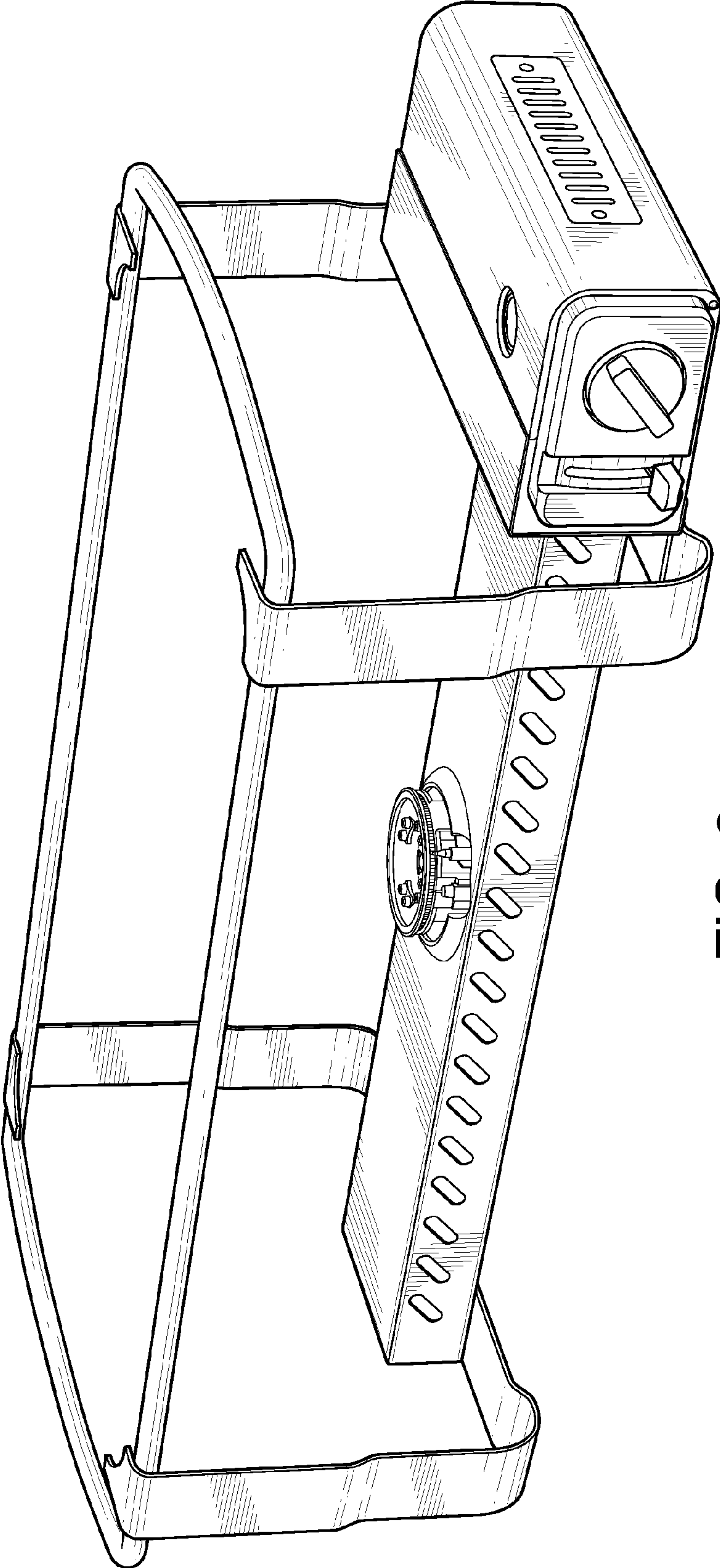


FIG. 8

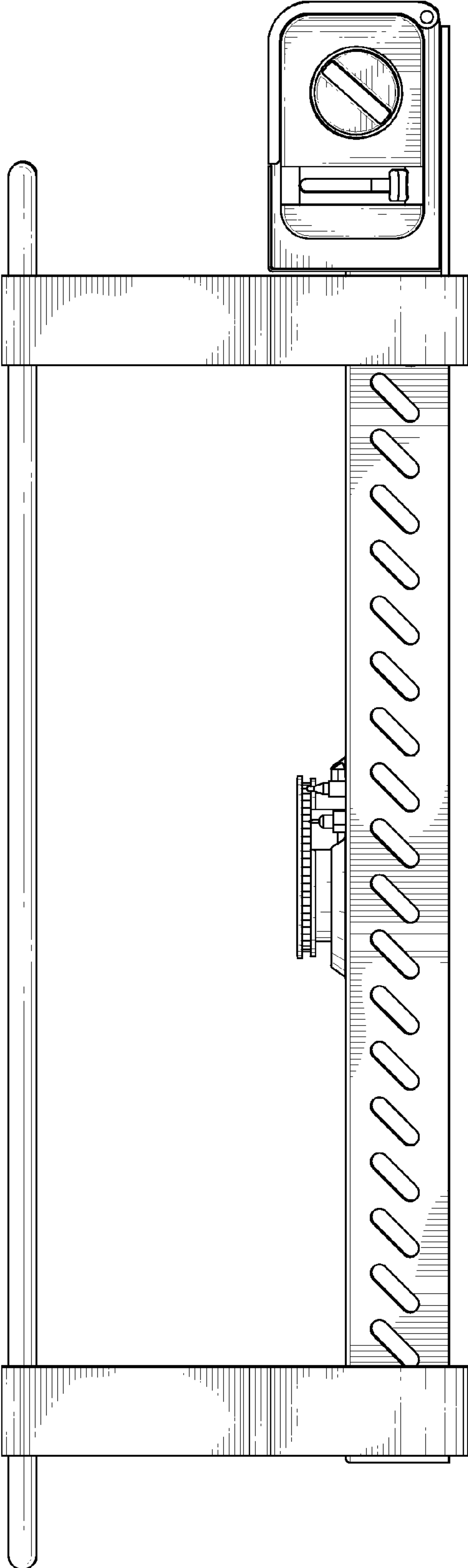


FIG. 9

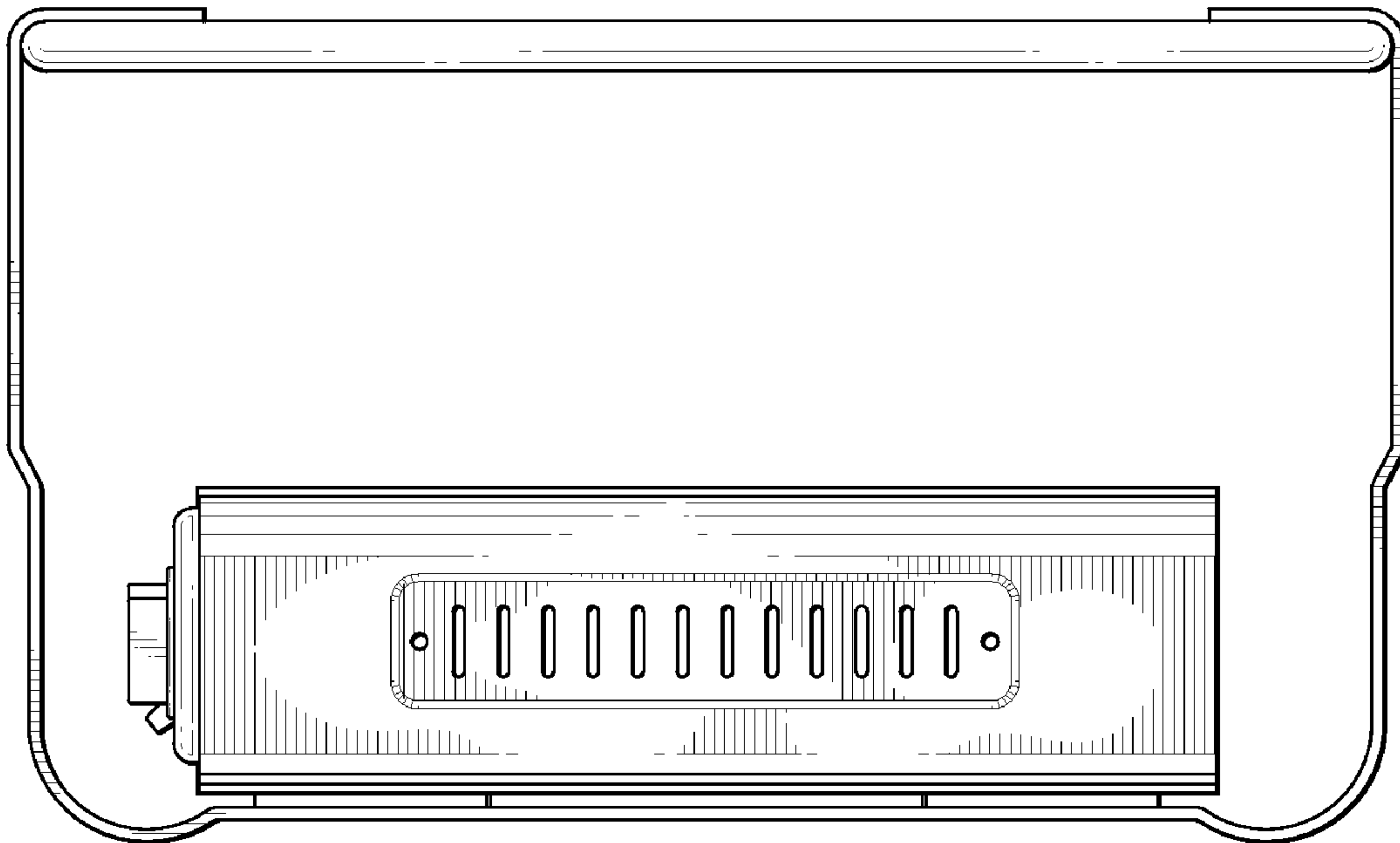


FIG. 10

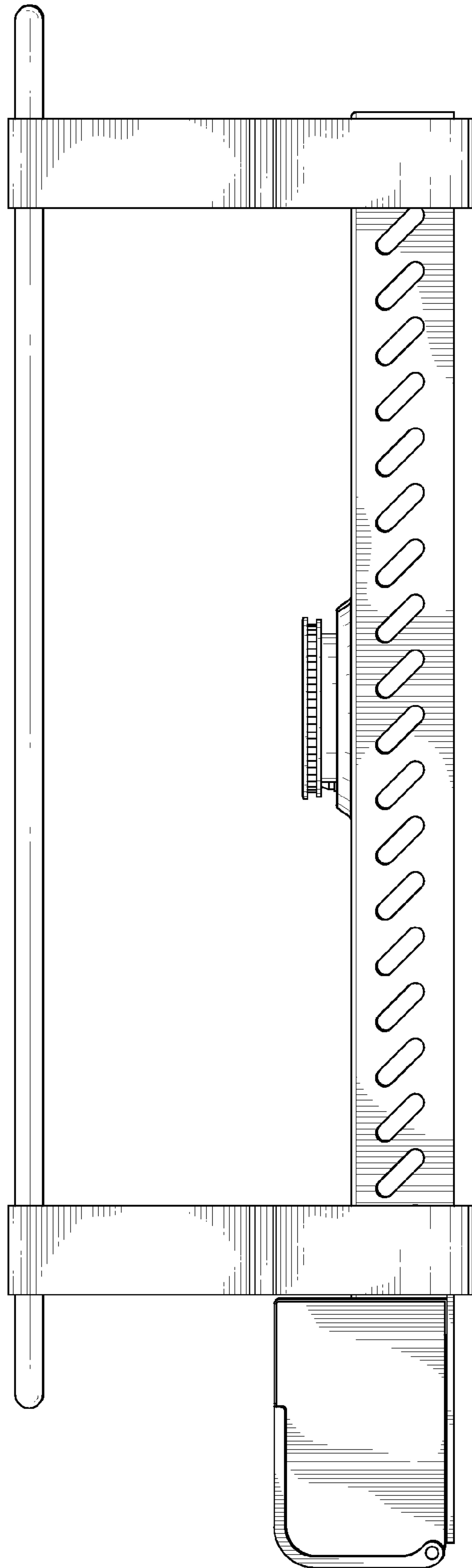


FIG. 11

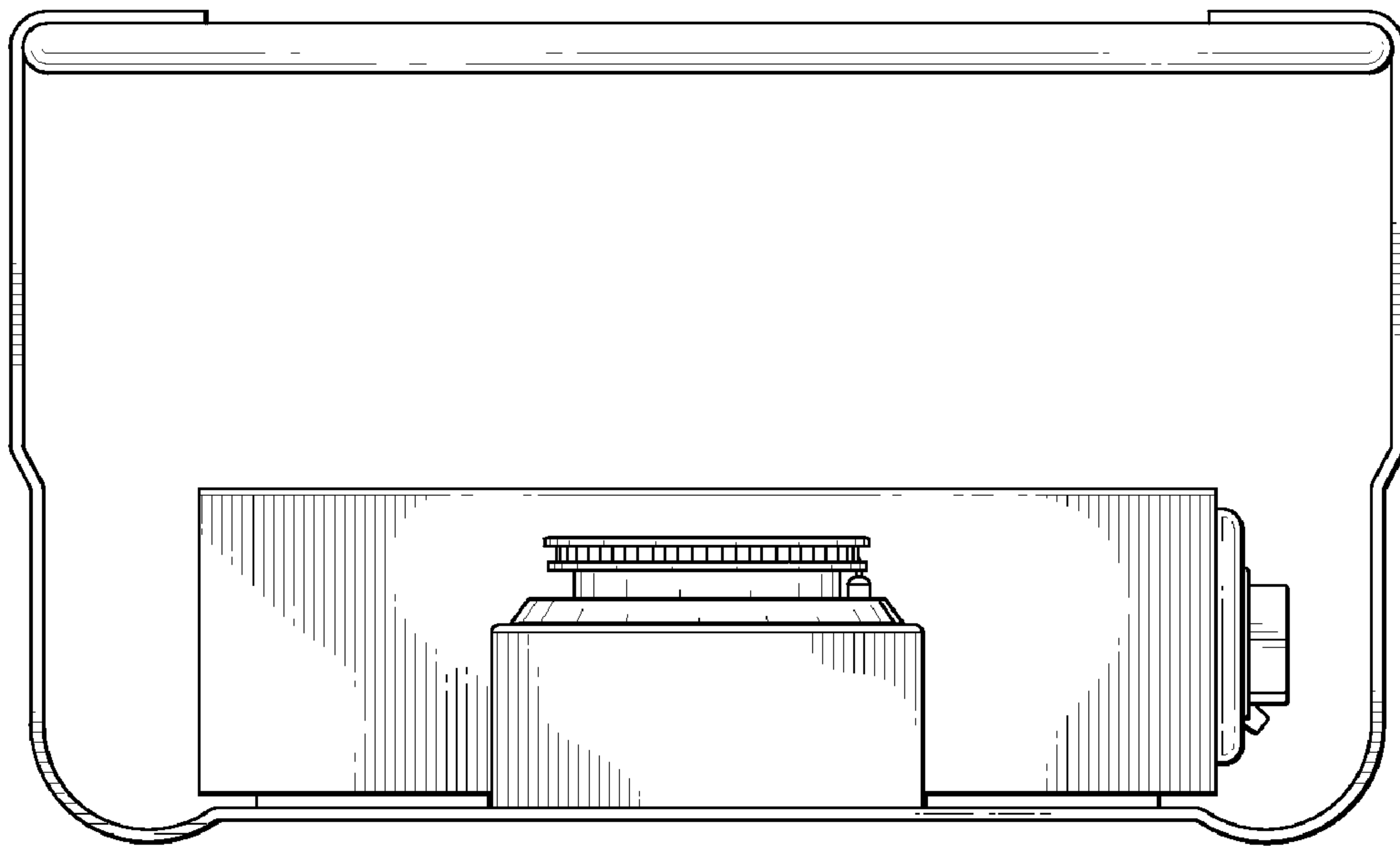


FIG. 12

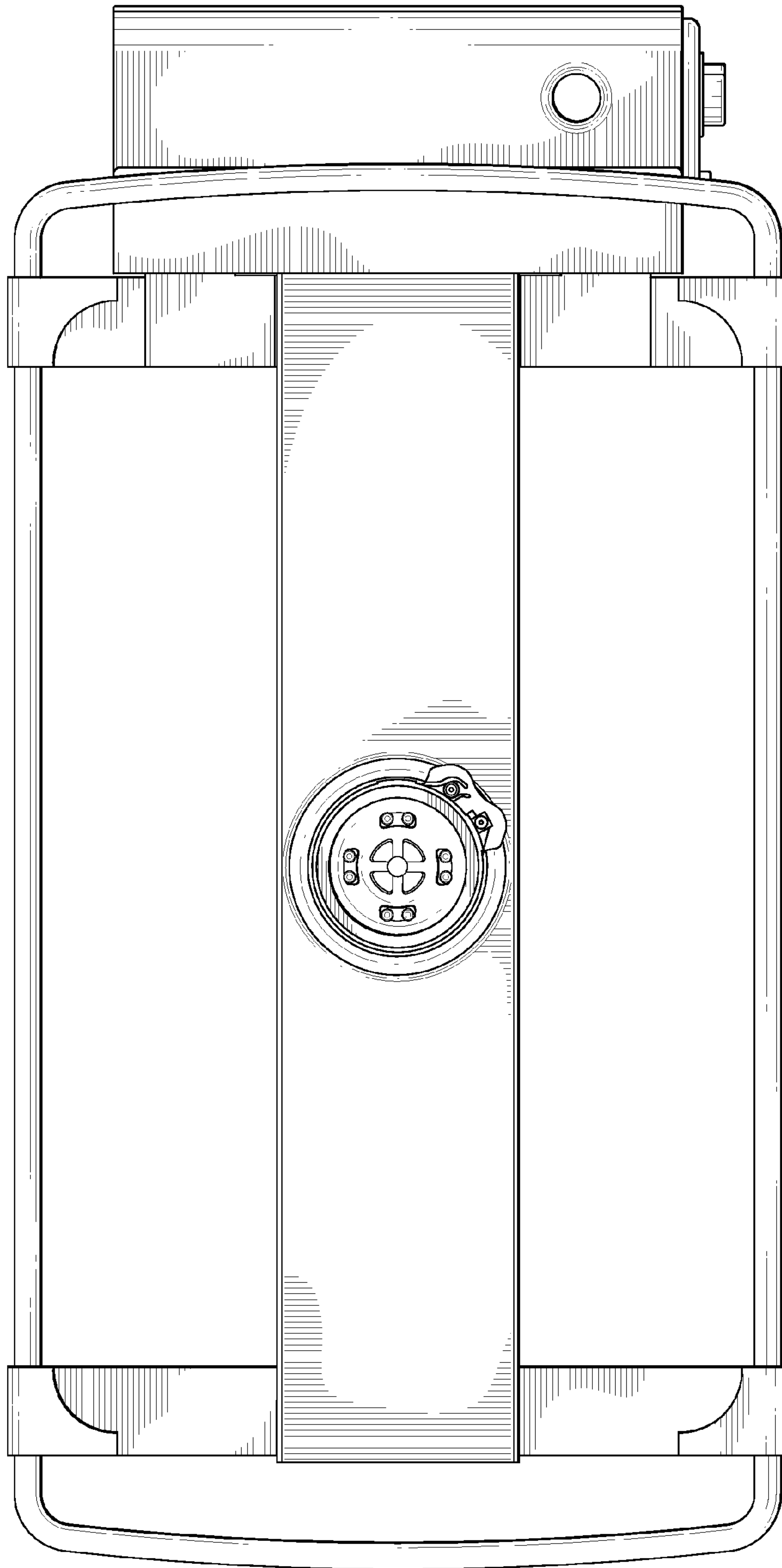


FIG. 13

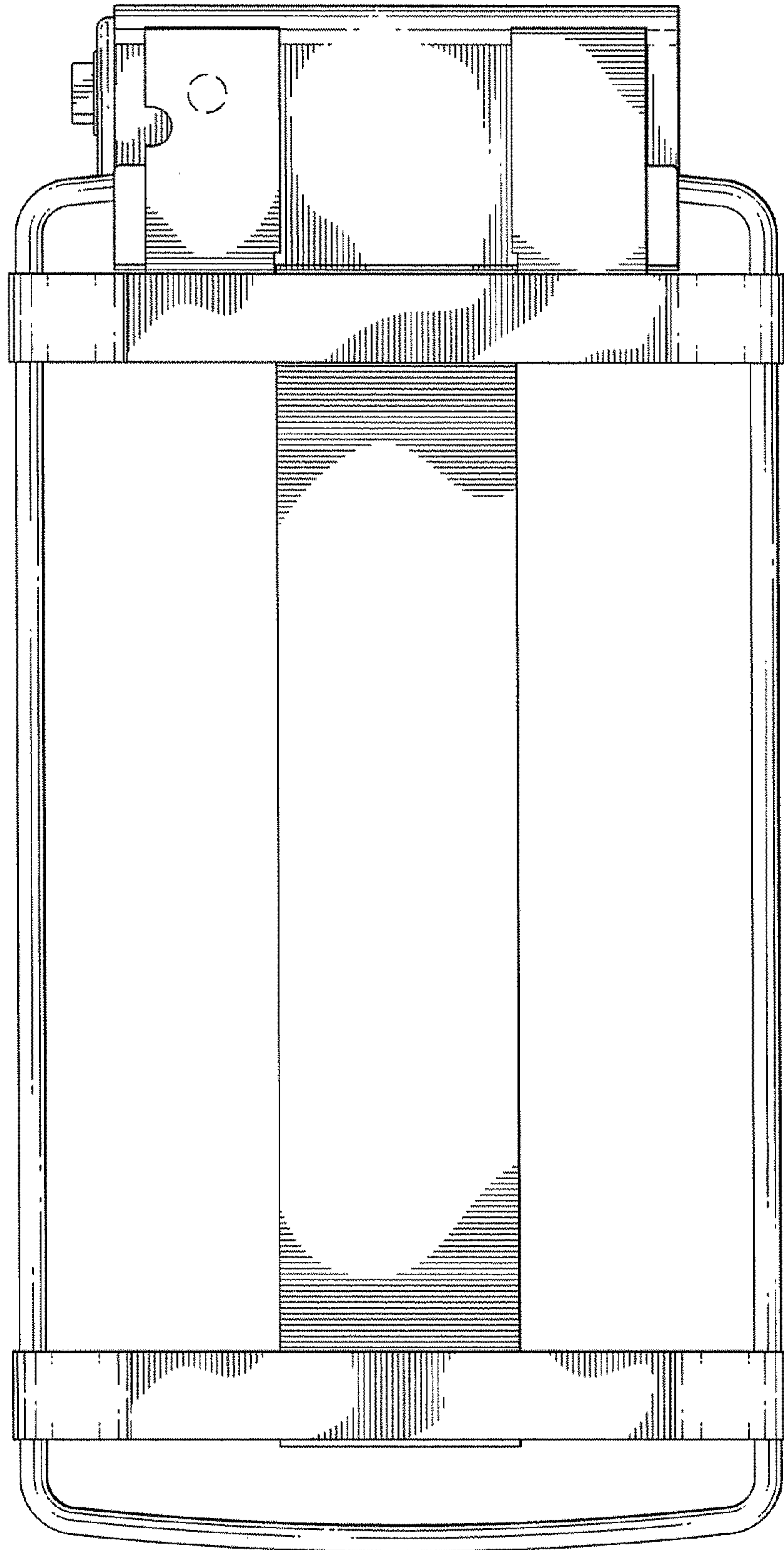


FIG. 14