



US00D644872S

(12) **United States Design Patent**
Mc Eldowney

(10) **Patent No.:** **US D644,872 S**

(45) **Date of Patent:** **** Sep. 13, 2011**

(54) **HANDLE FOR COOKING UTENSIL**

(75) Inventor: **Blake Mc Eldowney**, Barcelona (ES)

(73) Assignee: **Tefal**, Rumilly (FR)

(**) Term: **14 Years**

(21) Appl. No.: **29/378,058**

(22) Filed: **Oct. 28, 2010**

(30) **Foreign Application Priority Data**

Apr. 29, 2010 (FR) 10 2318

(51) **LOC (9) Cl.** **07-02**

(52) **U.S. Cl.** **D7/395**

(58) **Field of Classification Search** D7/354–361,
D7/393–395, 401.2, 664; D8/107, 300, 303,
D8/307, 313, 321; D4/138, 129; 16/421,
16/430, 431, 110.1, 407; 220/573.1–573.5,
220/752, 753, 755, 756, 759, 767, 771, 912
See application file for complete search history.

(56) **References Cited**

U.S. PATENT DOCUMENTS

D442,025 S * 5/2001 Rae D7/395
D447,383 S * 9/2001 Rae D7/395
D496,219 S * 9/2004 Rae D7/395
D512,602 S * 12/2005 Spagnolo D7/395

D523,690 S * 6/2006 Giannone D7/395
D562,063 S * 2/2008 Munari D7/395
D565,347 S * 4/2008 Rae D7/395
D577,541 S * 9/2008 Giannone D7/393
D580,704 S * 11/2008 Robson D7/393
D582,208 S * 12/2008 Robson D7/395
D617,140 S * 6/2010 Rae D7/395
D630,056 S * 1/2011 Rae D7/395
D630,470 S * 1/2011 Mc Eldowney D7/395

* cited by examiner

Primary Examiner — Cynthia M Chin

(74) *Attorney, Agent, or Firm* — Young & Thompson

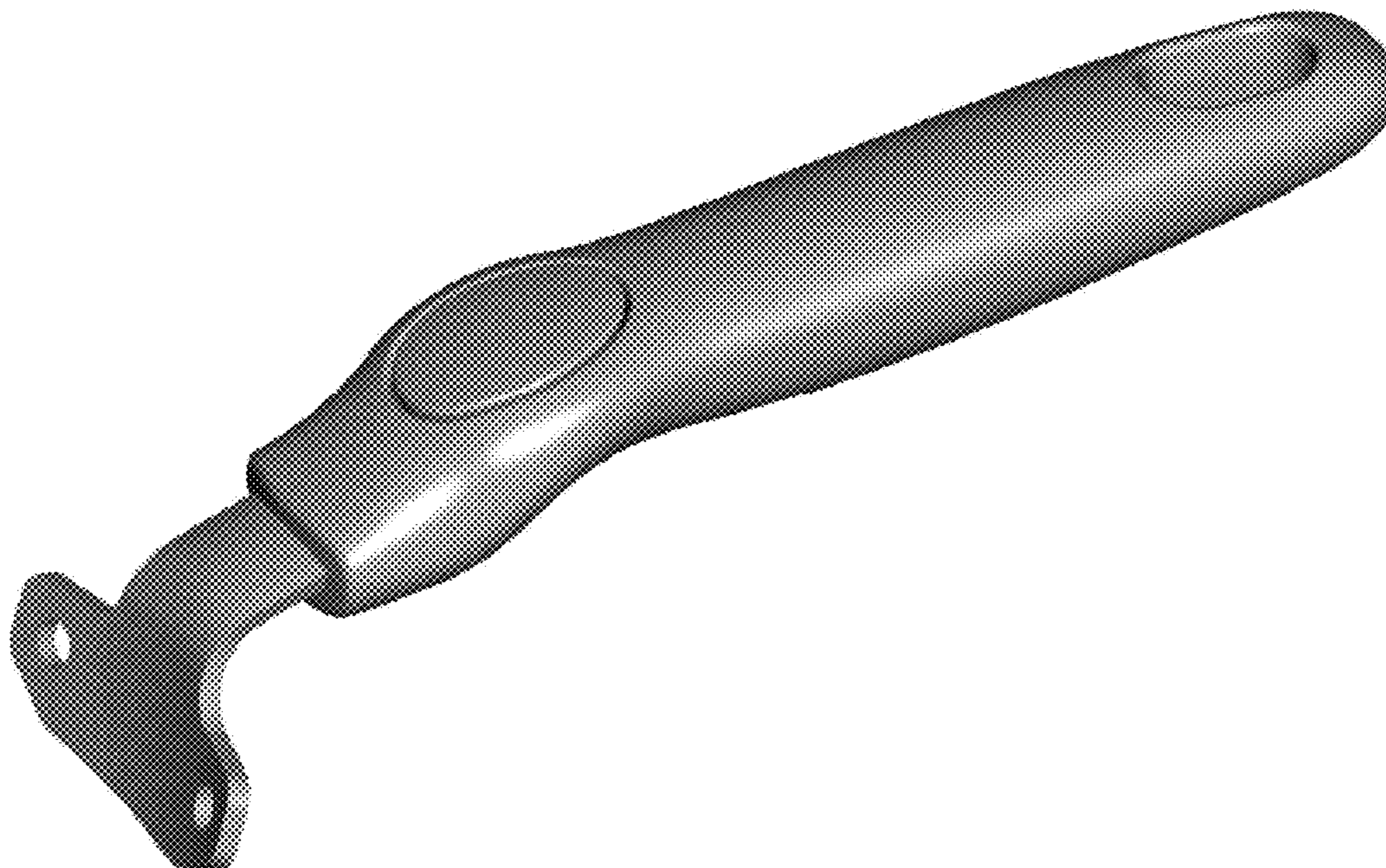
(57) **CLAIM**

The ornamental design for a handle for cooking utensil, as shown and described.

DESCRIPTION

FIG. 1 is a side elevational view of a handle for cooking utensil, showing my new design, the view of the side opposite that shown in FIG. 1 being the mirror image thereof; FIG. 2 is a top plan view thereof; FIG. 3 is a bottom plan view thereof; FIG. 4 is an end view thereof; FIG. 5 is a view thereof from the end opposite that shown in FIG. 4; and, FIG. 6 is a top and side perspective view thereof.

1 Claim, 6 Drawing Sheets



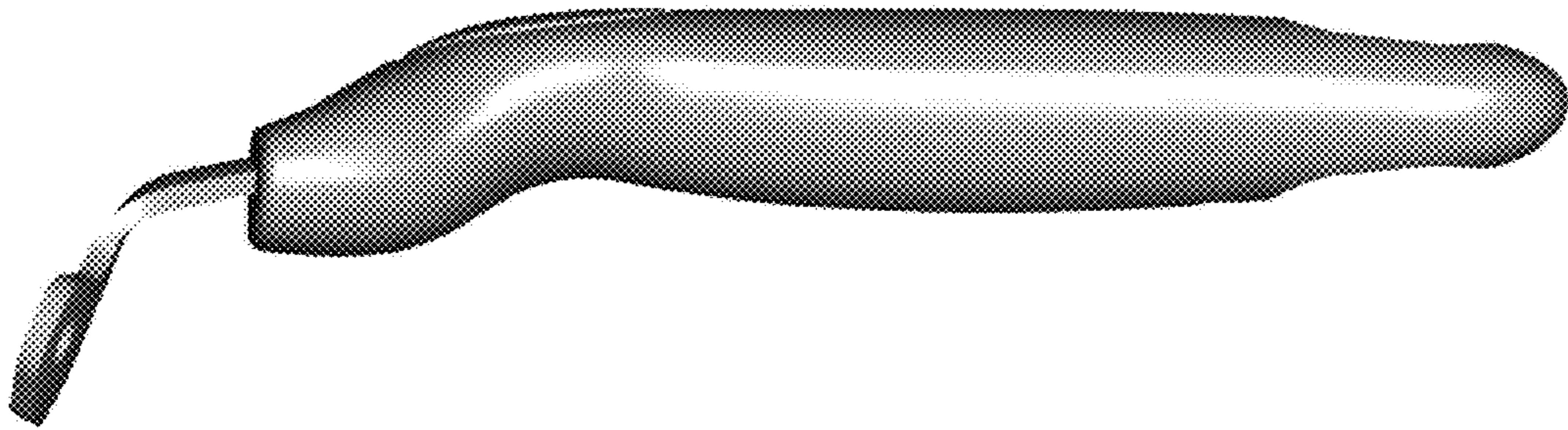


Figure 1

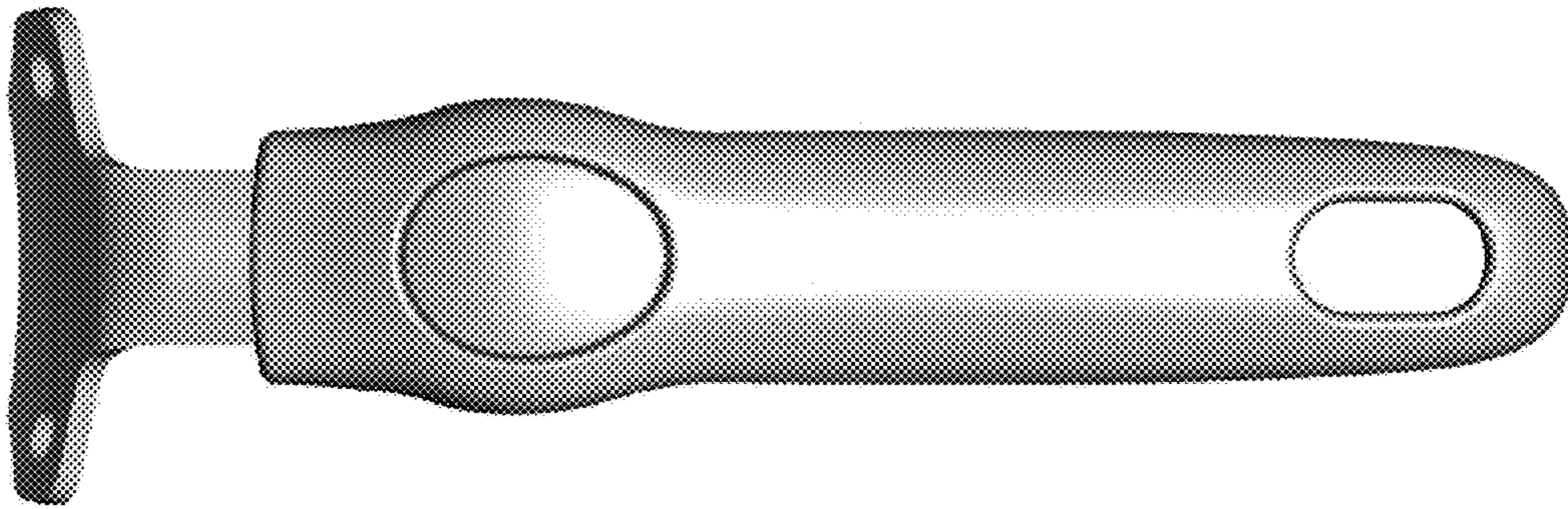


Figure 2

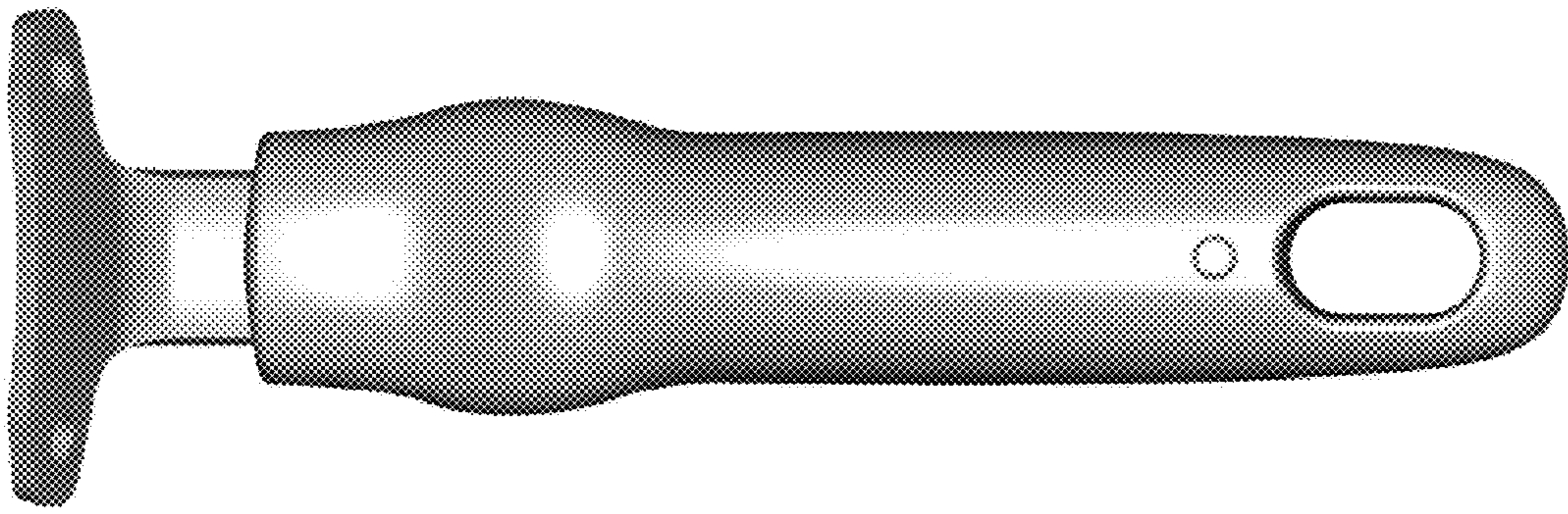


Figure 3

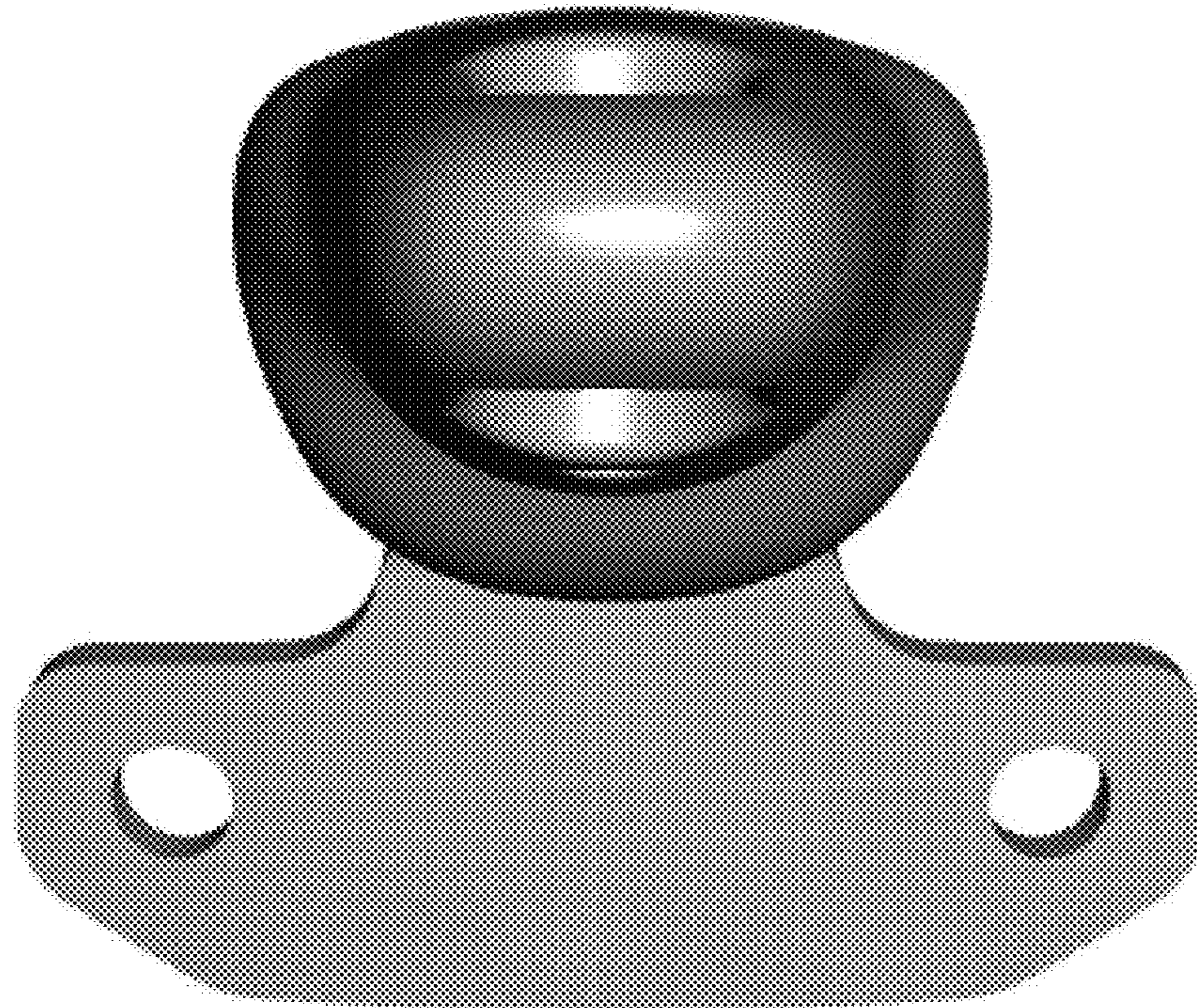


Figure 4

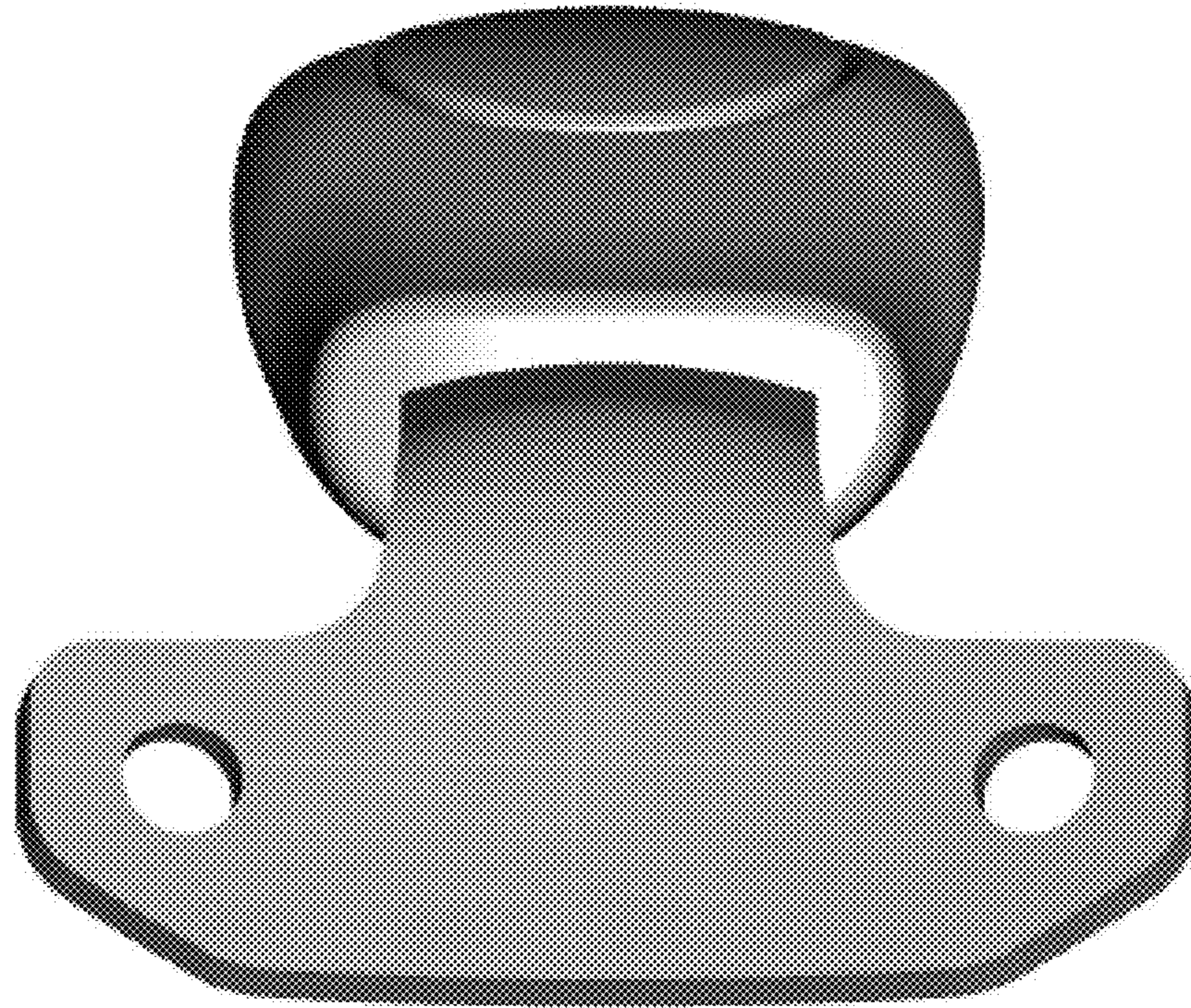


Figure 5

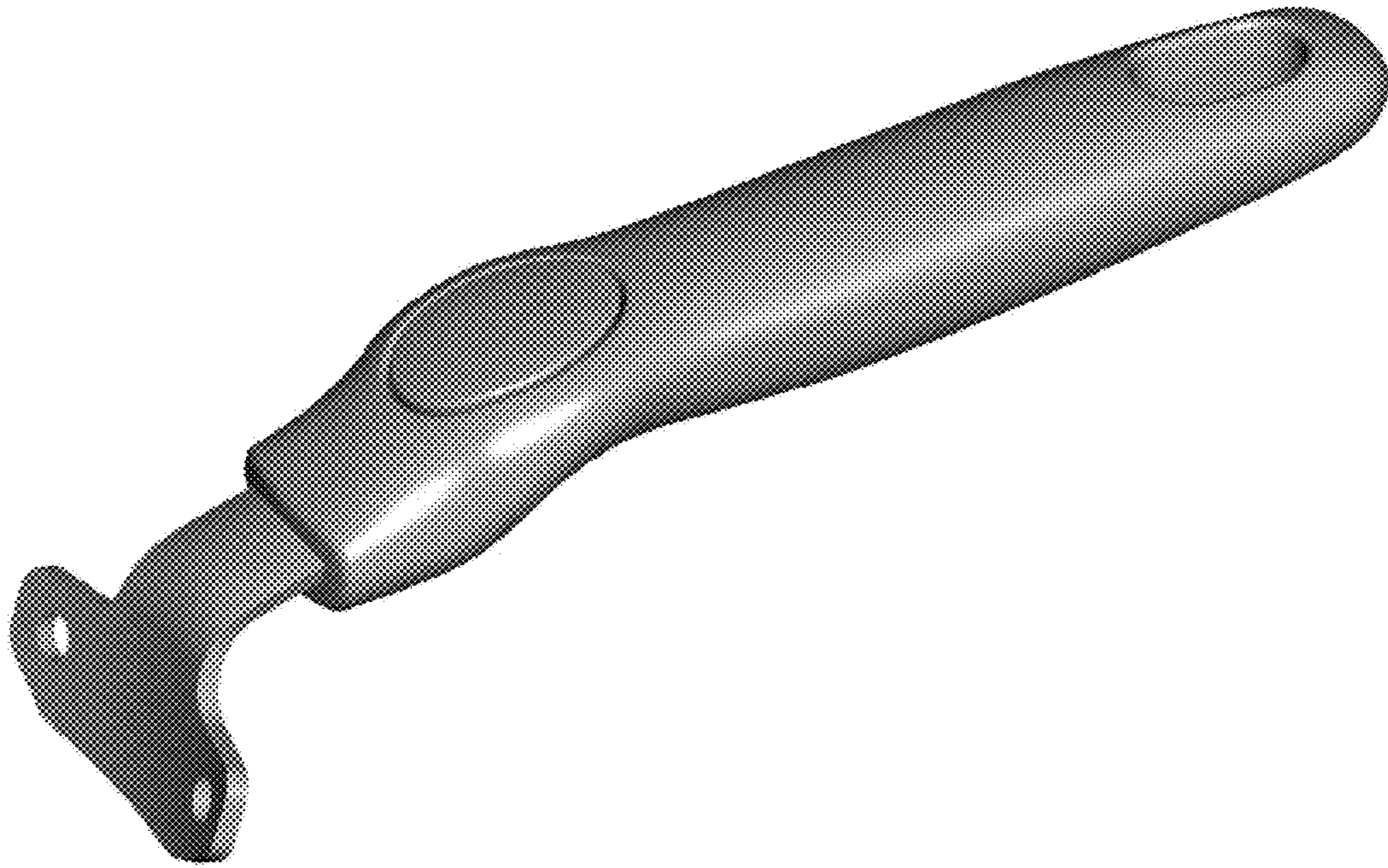


Figure 6