



US00D644867S

(12) **United States Design Patent**
Janvier

(10) **Patent No.:** **US D644,867 S**

(45) **Date of Patent:** **** Sep. 13, 2011**

(54) **GRILL**

(75) Inventor: **David Janvier**, Lyons (FR)

(73) Assignee: **Tefal**, Rumilly (FR)

(**) Term: **14 Years**

(21) Appl. No.: **29/368,052**

(22) Filed: **Aug. 17, 2010**

(30) **Foreign Application Priority Data**

Feb. 18, 2010 (FR) 10 0943

(51) **LOC (9) Cl.** **07-02**

(52) **U.S. Cl.** **D7/363; D7/362; D7/367**

(58) **Field of Classification Search** D7/309,
D7/323, 328-332, 334-341, 346-348, 350.1,
D7/350.4, 351-367, 407; 99/324-327, 331,
99/339-341, 349, 353, 369, 372-377, 385-393,
99/425, 444, 446; 126/25 B, 25 R, 30, 41 R;
219/448.11, 449.1, 450.1, 524-525, 620-622,
219/732-734

See application file for complete search history.

(56) **References Cited**

U.S. PATENT DOCUMENTS

1,711,472 A * 4/1929 Lewin 219/449.1
D286,494 S * 11/1986 Lastuck D7/363

D377,134 S * 1/1997 Des Touche D7/362
D380,342 S * 7/1997 Edmonds D7/363
D394,584 S * 5/1998 Weber D7/363
6,024,014 A * 2/2000 Kasai 99/425
D424,367 S * 5/2000 Choi D7/363
D429,946 S * 8/2000 Lee D7/362
D436,796 S * 1/2001 Kalina et al. D7/363
D533,016 S * 12/2006 Genslak et al. D7/363
D575,098 S * 8/2008 Seymour D7/363
D618,047 S * 6/2010 Seymour D7/367

* cited by examiner

Primary Examiner — Ricky Pham

(74) *Attorney, Agent, or Firm* — Young & Thompson

(57) **CLAIM**

The ornamental design for a grill, as shown and described.

DESCRIPTION

FIG. 1 is a top and side perspective view of a grill showing my new design;

FIG. 2 is a top plan view thereof;

FIG. 3 is a bottom plan view thereof;

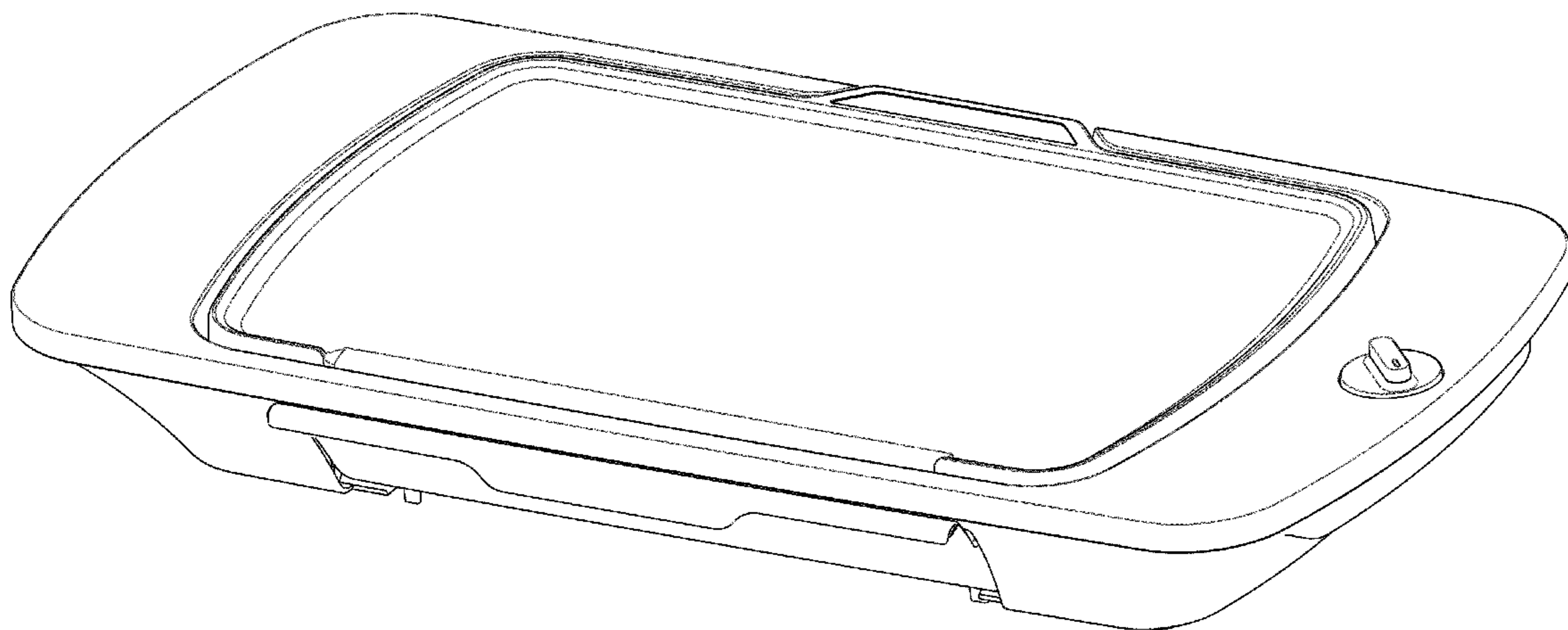
FIG. 4 is an enlarged left side elevational view thereof;

FIG. 5 is an enlarged right side elevational view thereof;

FIG. 6 is a rear elevational view thereof; and,

FIG. 7 is a front elevational view thereof.

1 Claim, 7 Drawing Sheets



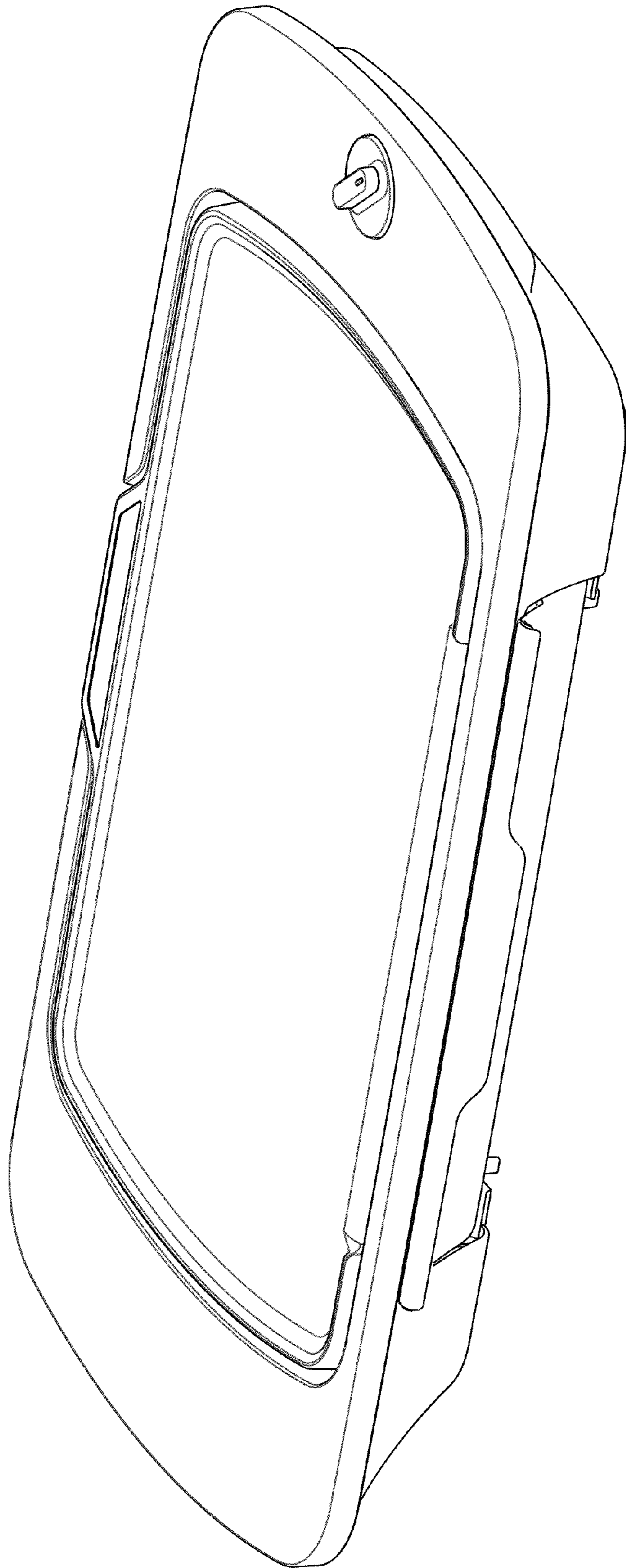


FIG. 1

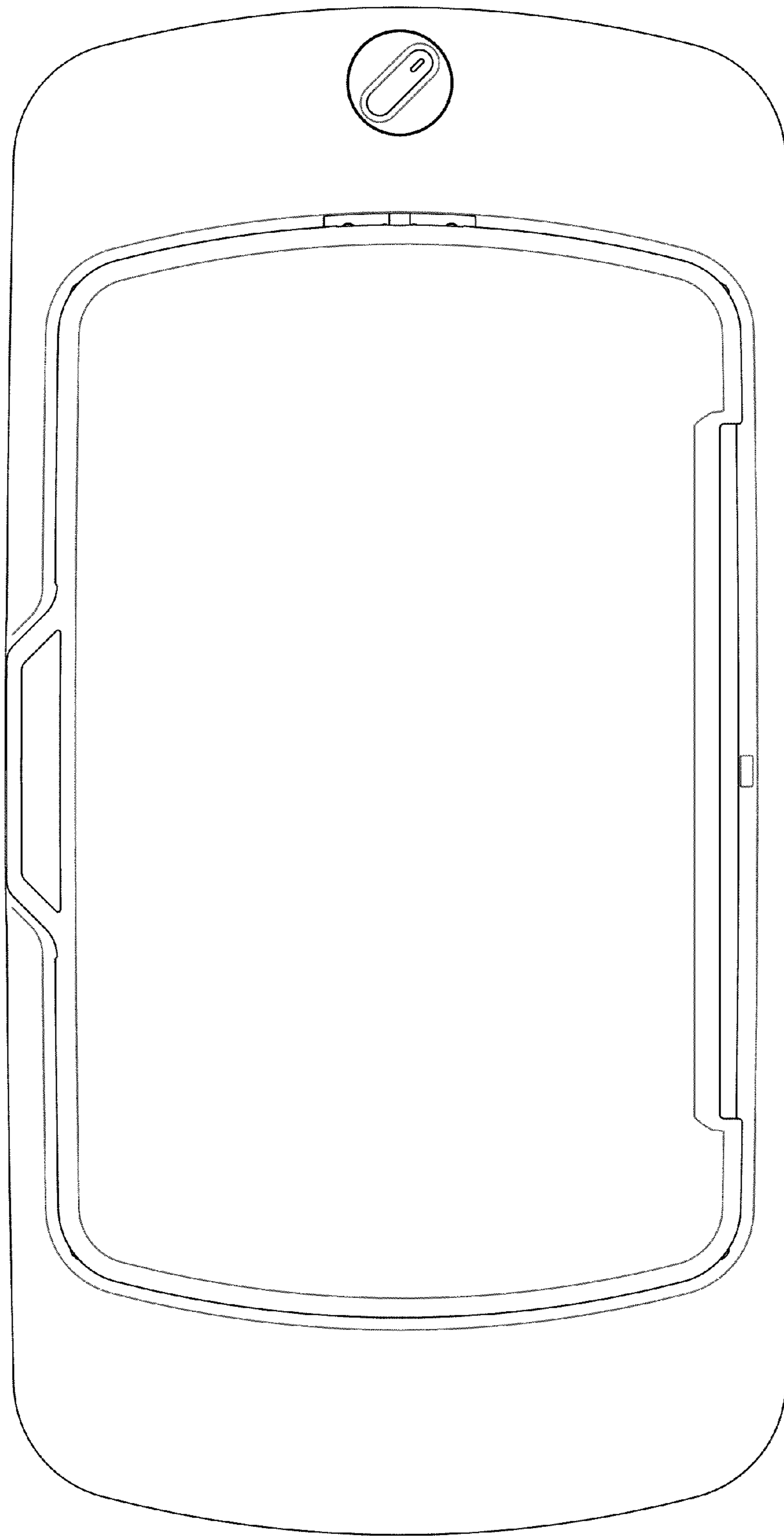


FIG. 2

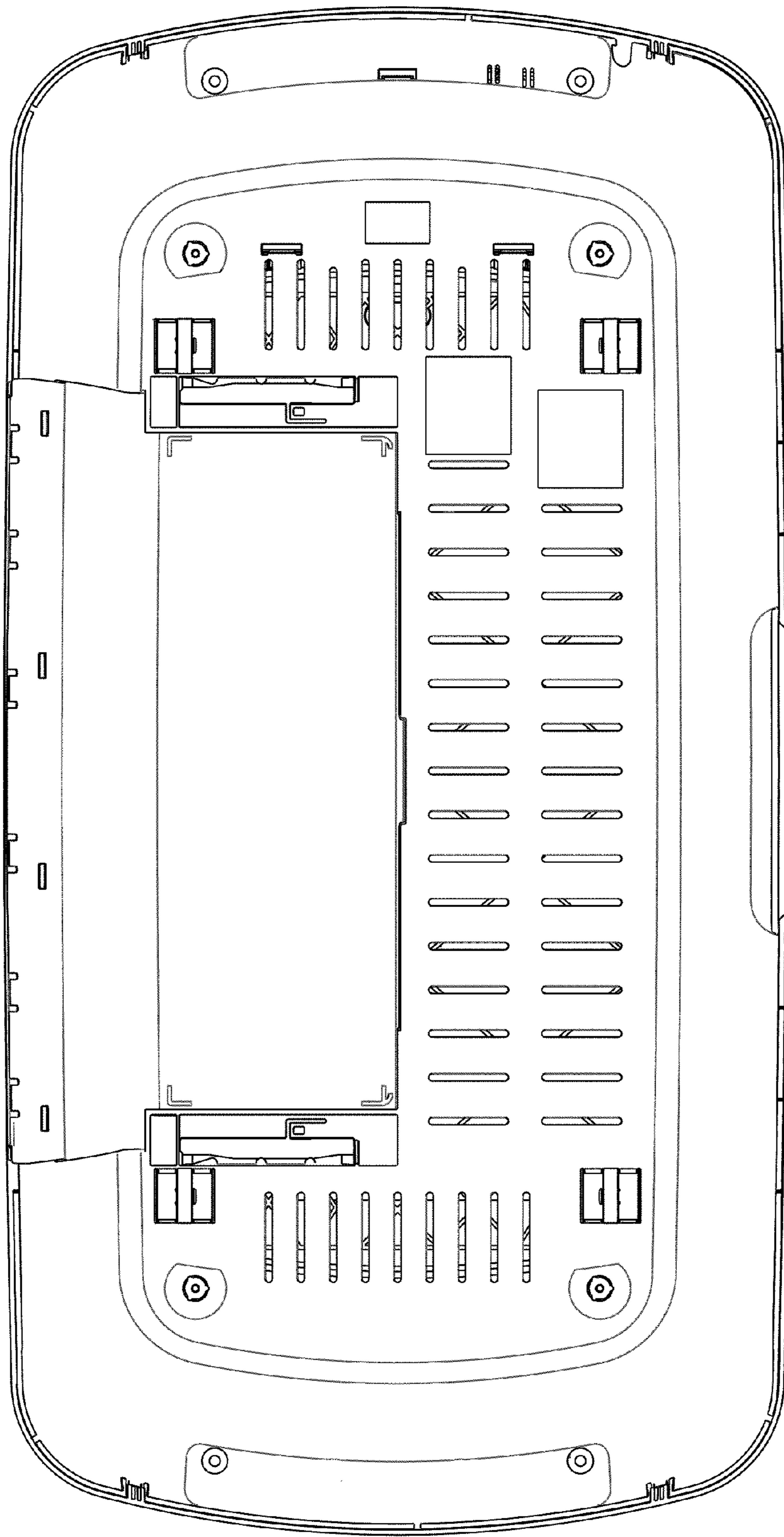


FIG. 3

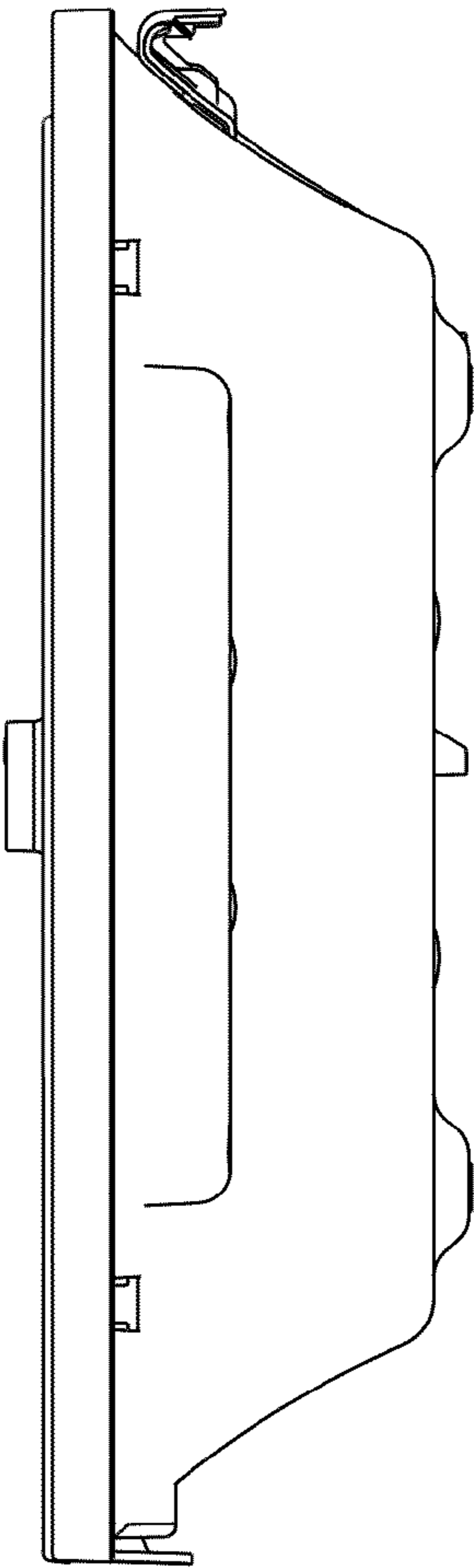


FIG. 4

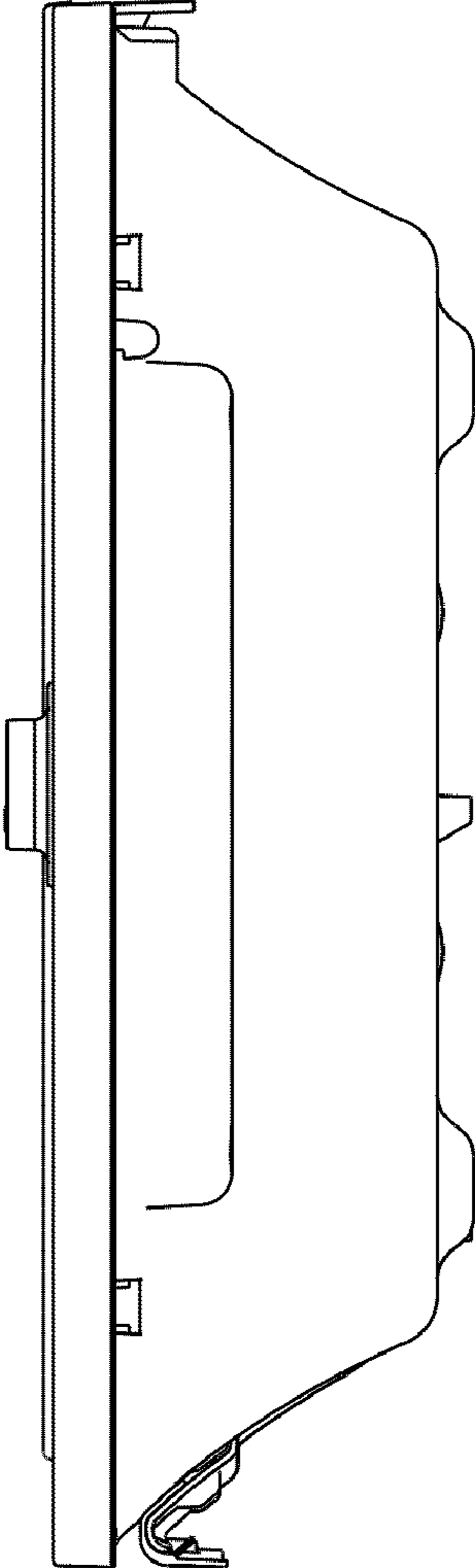


FIG. 5

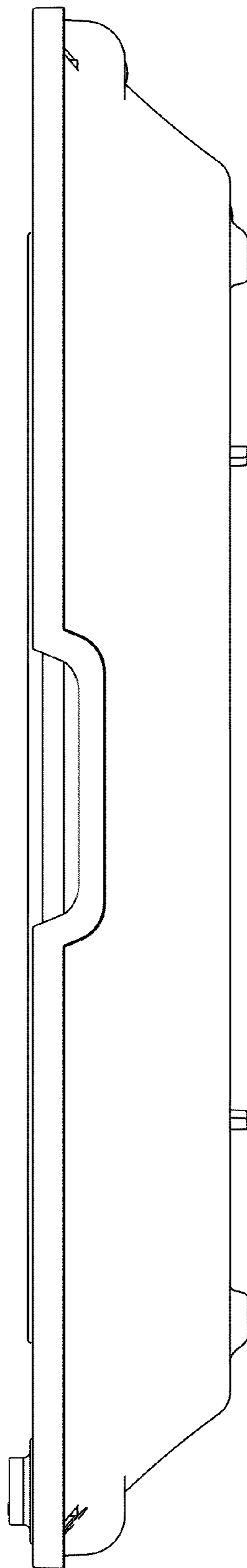


FIG. 6

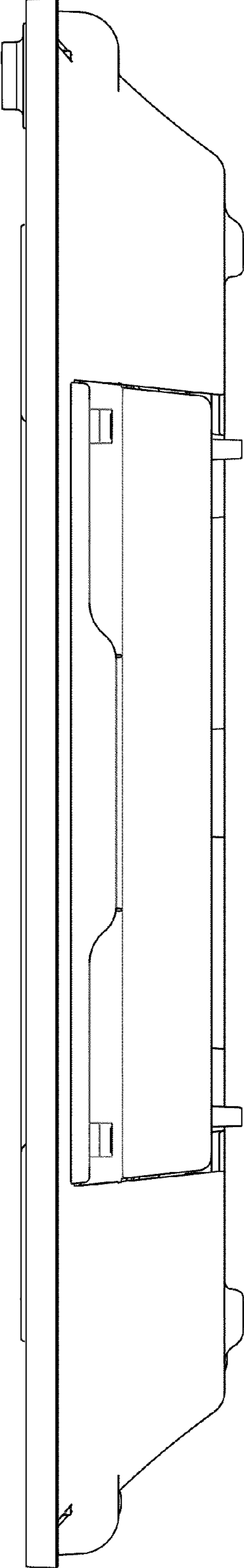


FIG. 7