



US00D644866S

(12) **United States Design Patent**  
**Munro**

(10) **Patent No.:** **US D644,866 S**

(45) **Date of Patent:** **\*\* Sep. 13, 2011**

(54) **COFFEE POT**

(75) **Inventor:** **Nick Munro**, North Wales (GB)

(73) **Assignee:** **The Greenfield Group Limited**, North Wales (GB)

(\*\*) **Term:** **14 Years**

(21) **Appl. No.:** **29/362,129**

(22) **Filed:** **May 20, 2010**

(30) **Foreign Application Priority Data**

Nov. 27, 2009 (EM) ..... 1181861-0004

(51) **LOC (9) Cl.** ..... **07-01**

(52) **U.S. Cl.** ..... **D7/317; D7/318; D7/322**

(58) **Field of Classification Search** ..... D7/300,  
D7/316-319, 312, 322; 99/303, 279, 293,  
99/285

See application file for complete search history.

(56) **References Cited**

**U.S. PATENT DOCUMENTS**

D38,504 S \* 4/1907 Paroutaud ..... D7/317  
D42,612 S \* 6/1912 Sanford ..... D7/317  
D165,827 S \* 2/1952 Cowan ..... D7/319  
3,935,804 A \* 2/1976 Perez ..... 99/293

4,038,914 A \* 8/1977 Crespo et al. .... 99/279  
4,491,040 A \* 1/1985 Corona ..... 81/3.09  
4,557,187 A \* 12/1985 DePonti ..... 99/279  
D299,105 S \* 12/1988 Sun ..... D7/317  
D377,291 S \* 1/1997 Ahern, Jr. .... D7/319  
D399,384 S \* 10/1998 Ranzoni ..... D7/318  
5,894,785 A \* 4/1999 Molinari ..... 99/303  
D504,046 S \* 4/2005 Fuentes ..... D7/318  
D532,244 S \* 11/2006 Ancona ..... D7/318  
D538,579 S \* 3/2007 Ranzoni ..... D7/318  
D548,509 S \* 8/2007 Ancona ..... D7/318

\* cited by examiner

*Primary Examiner* — Marianne Pandozzi

(74) *Attorney, Agent, or Firm* — Notaro, Michalos & Zaccaria P.C.

(57) **CLAIM**

The ornamental design for a coffee pot, as shown and described.

**DESCRIPTION**

FIG. 1 is a top front right perspective view of a coffee pot showing my new design therefor;

FIG. 2 is a right elevational view thereof;

FIG. 3 is a rear elevational view thereof;

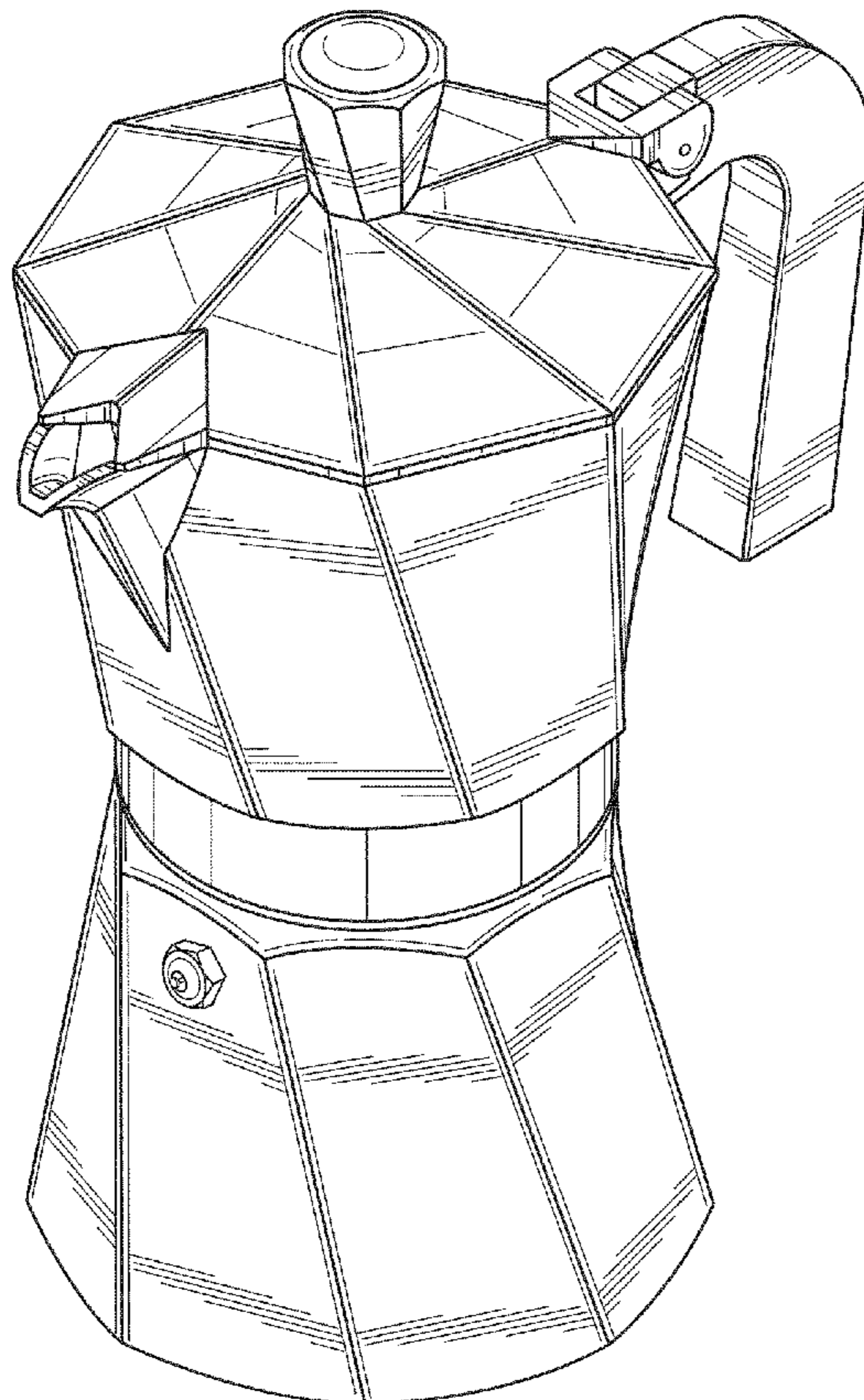
FIG. 4 is a left elevational view thereof;

FIG. 5 is a front elevational view thereof;

FIG. 6 is a top plan view thereof; and,

FIG. 7 is a bottom plan view thereof.

**1 Claim, 7 Drawing Sheets**



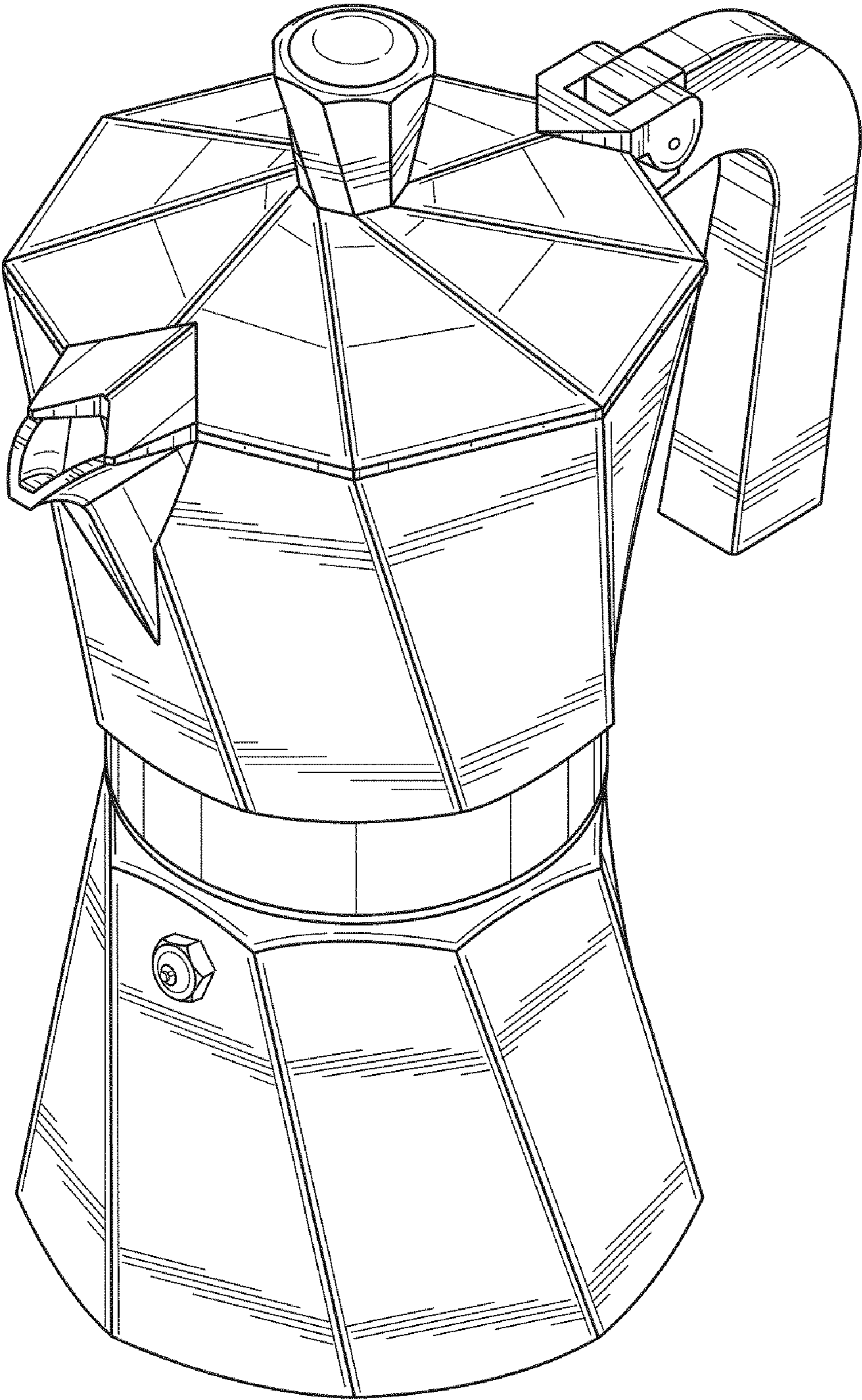


FIG. 1

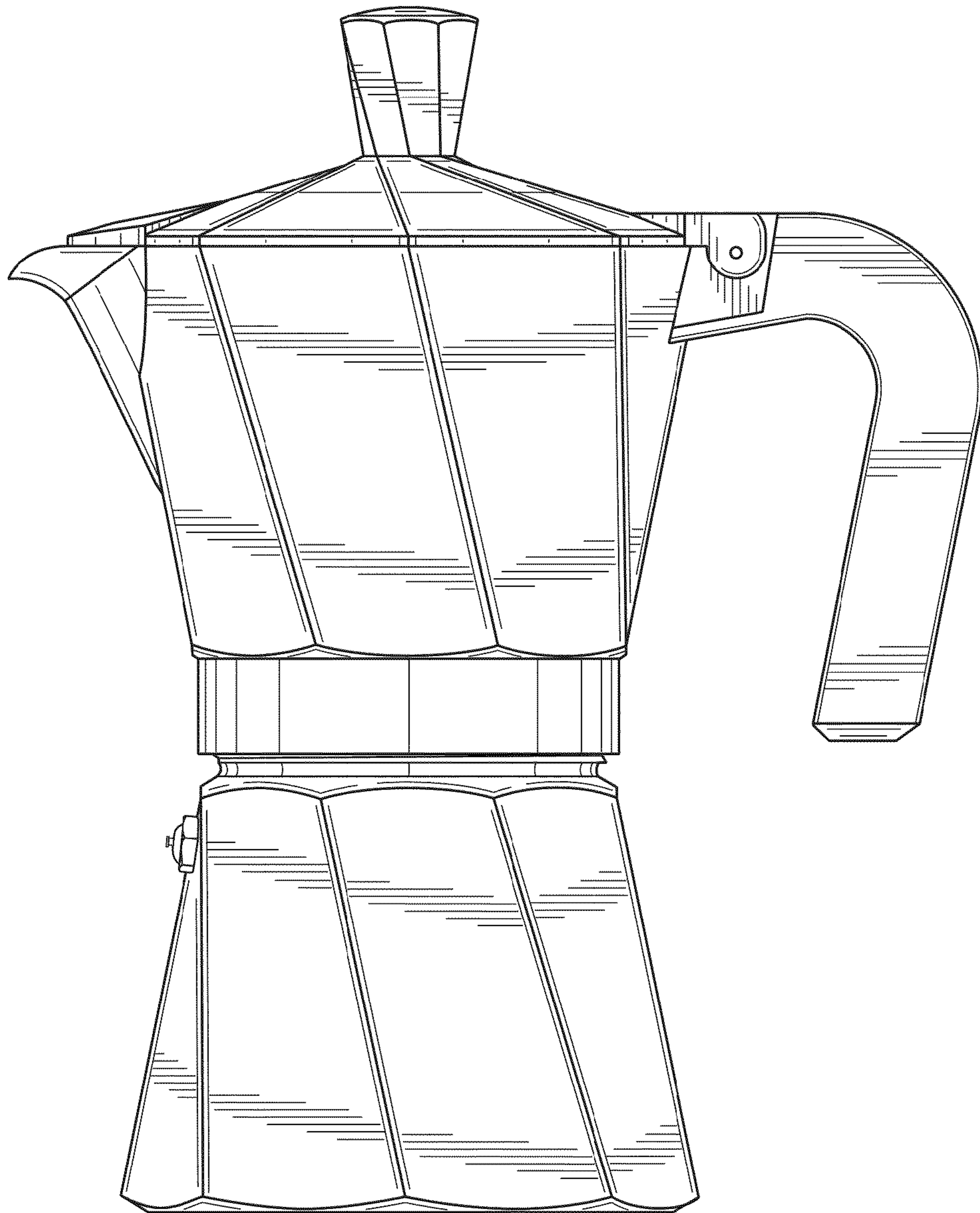


FIG. 2

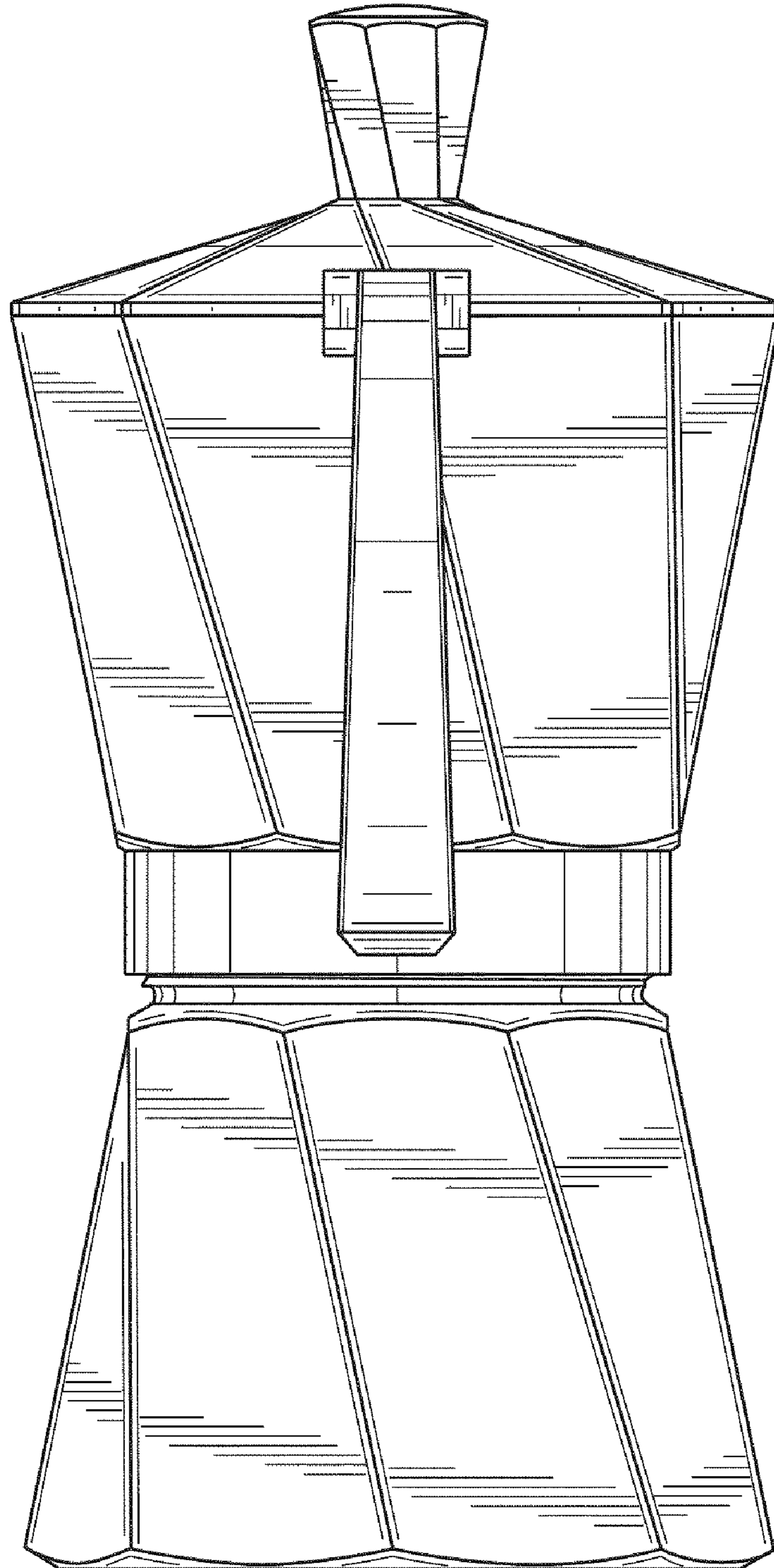


FIG. 3

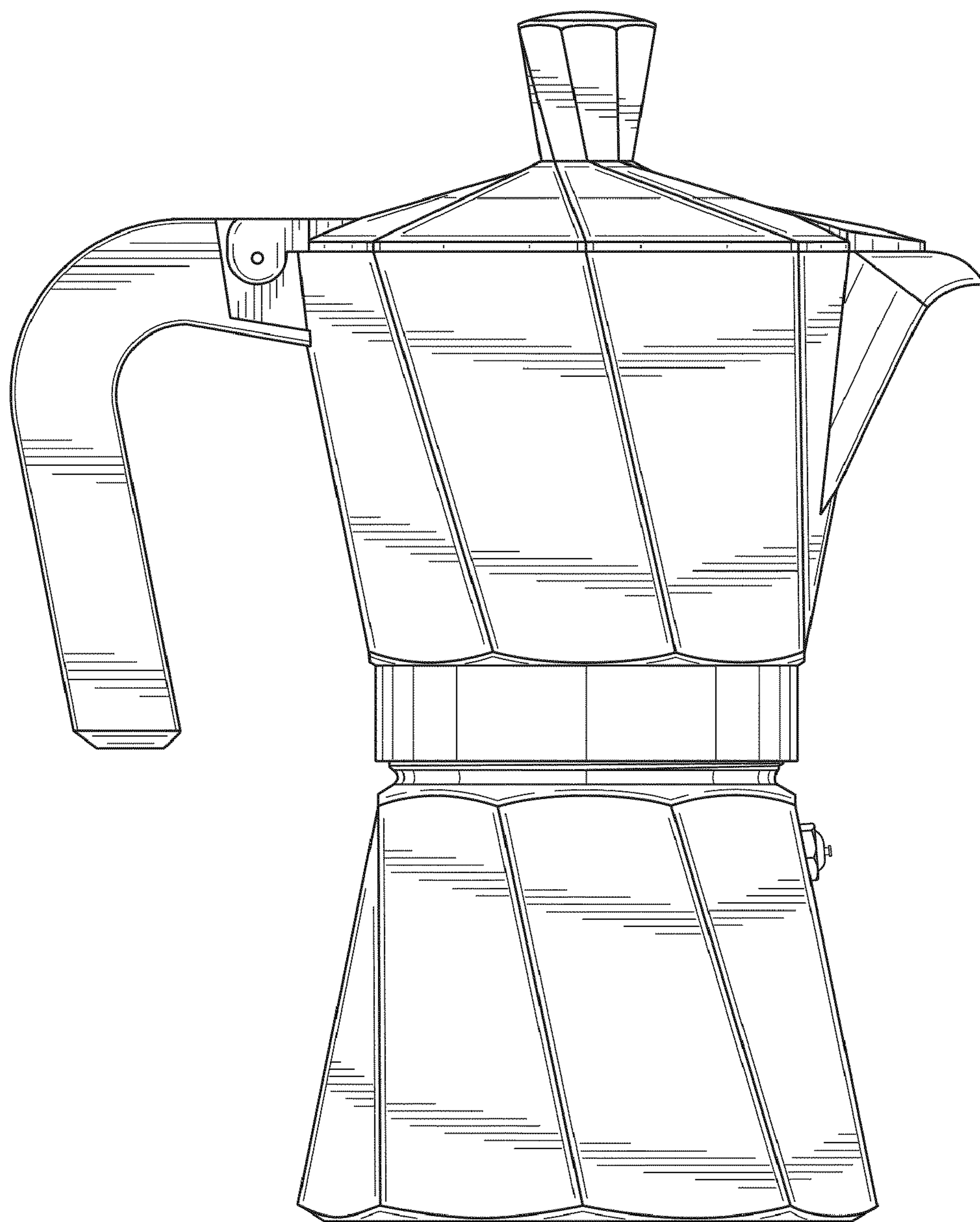


FIG. 4

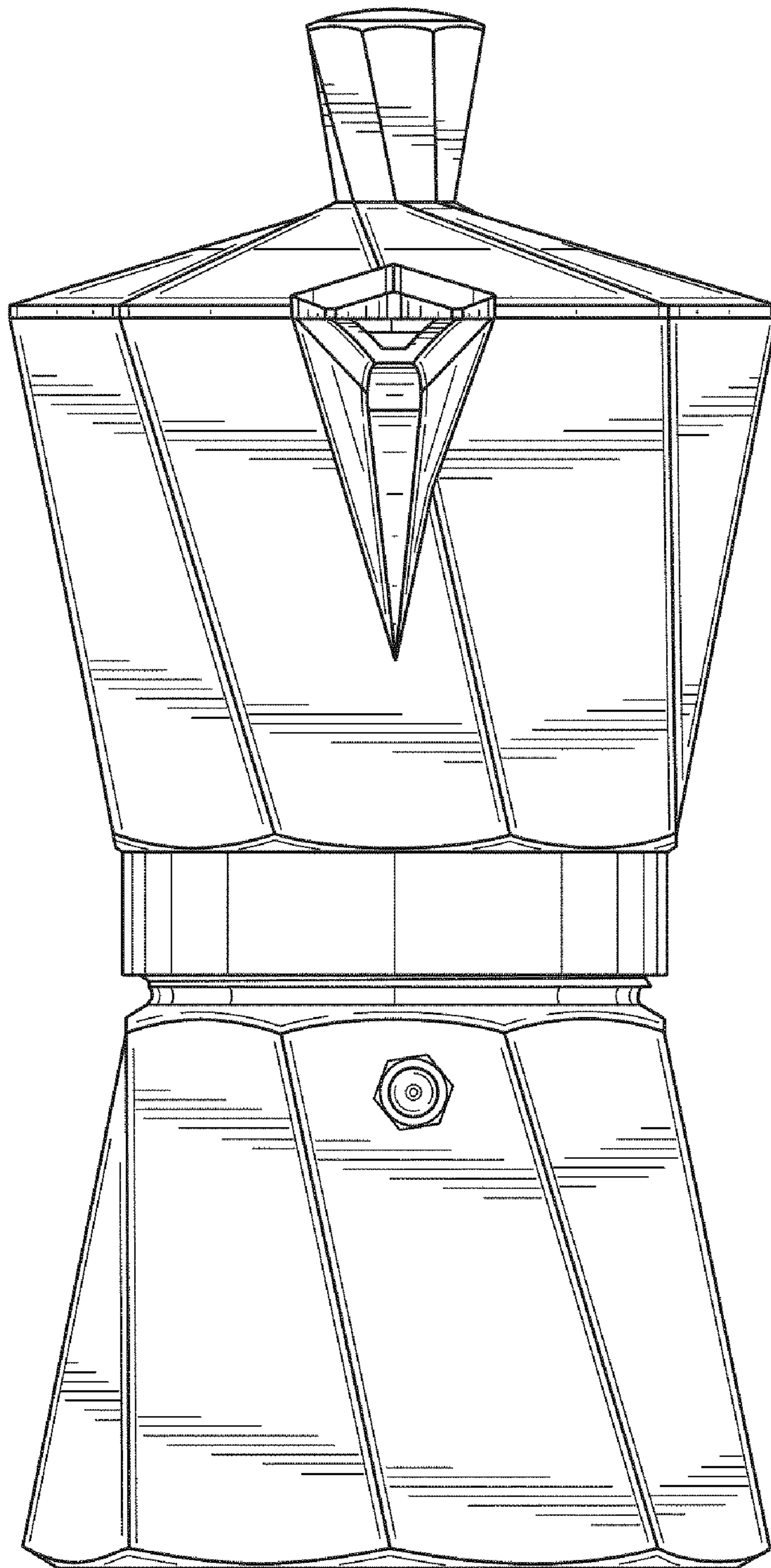


FIG. 5

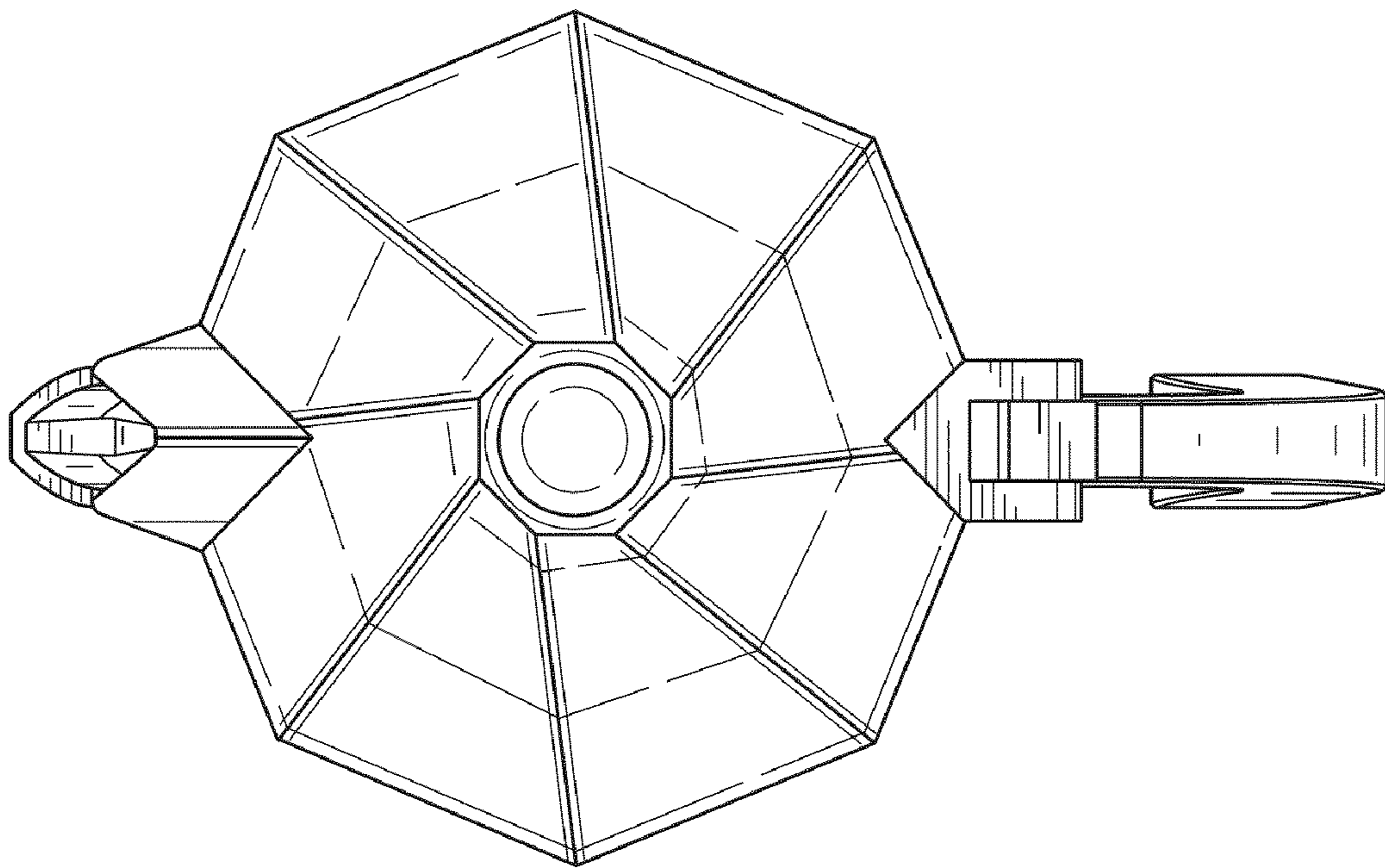


FIG. 6

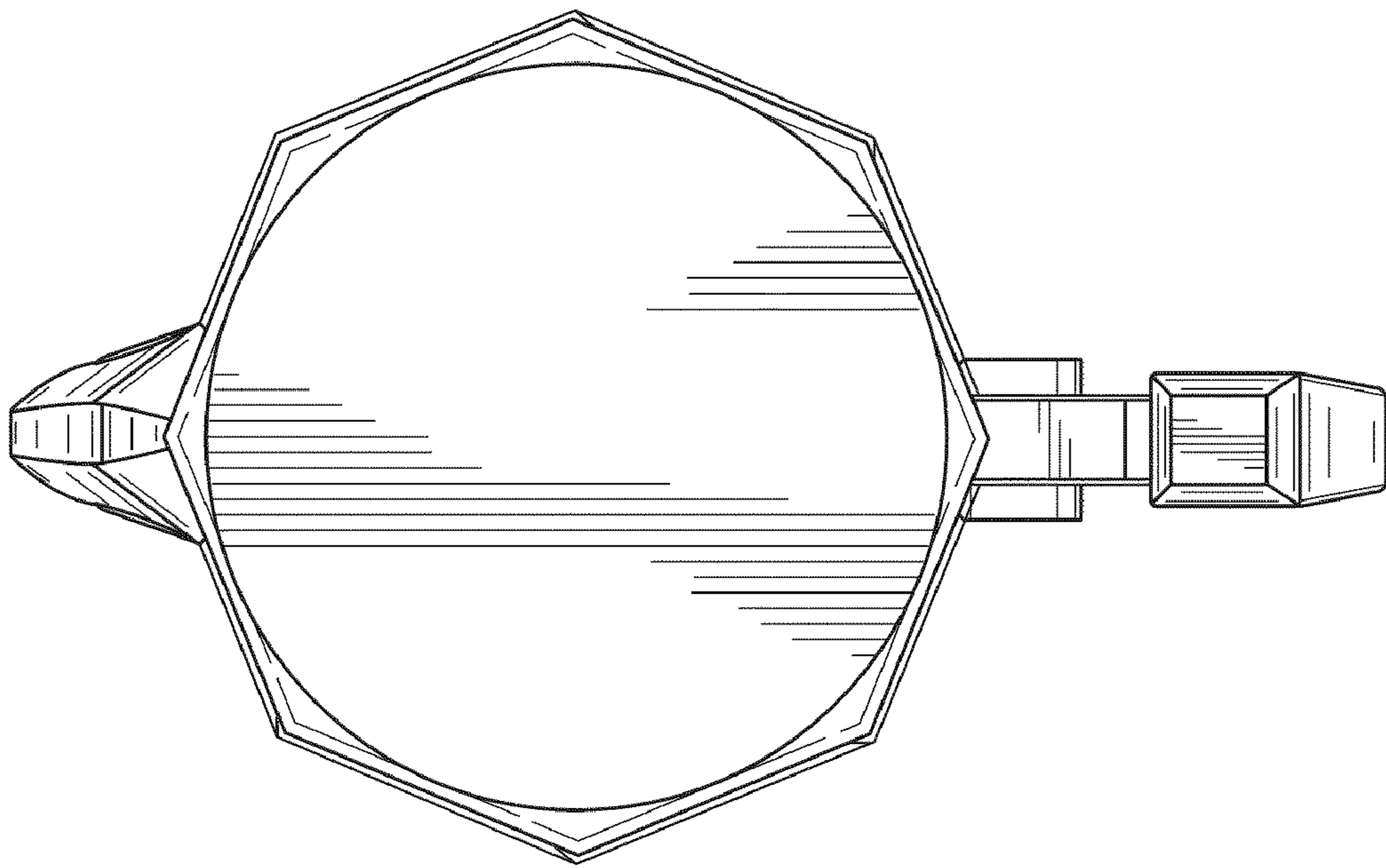


FIG. 7