



US00D644865S

(12) **United States Design Patent**
Trout

(10) **Patent No.:** **US D644,865 S**
(45) **Date of Patent:** **** Sep. 13, 2011**

(54) **EXERCISE MAT**

(75) **Inventor:** **Irl J. Trout**, St. Louis, MO (US)

(73) **Assignee:** **Irl J. Trout**, St. Louis, MO (US)

(**) **Term:** **14 Years**

(21) **Appl. No.:** **29/370,266**

(22) **Filed:** **Jun. 22, 2010**

(51) **LOC (9) Cl.** **06-11**

(52) **U.S. Cl.** **D6/582**

(58) **Field of Classification Search** D5/1, 2,
D5/9, 11, 12, 43, 47, 50, 54, 56, 59; D6/582,
D6/583, 585, 586, 592, 594, 605; D9/707,
D9/713; D12/203; 4/581, 582; 5/420; 15/215;
52/660; 66/169 R; 428/15, 32, 66.5, 112,
428/187, 221, 542.6

See application file for complete search history.

(56) **References Cited**

U.S. PATENT DOCUMENTS

1,222,563	A *	4/1917	Rosenberg	5/419
2,133,641	A *	10/1938	Tompkins	428/74
2,551,976	A *	5/1951	Smith	5/630
3,242,509	A *	3/1966	Nissen	5/420
3,521,746	A *	7/1970	Thrasher	206/226
4,370,767	A *	2/1983	Fraser	5/417
4,815,155	A *	3/1989	Sommers	5/659
4,955,665	A *	9/1990	Richer	297/4

5,081,727	A *	1/1992	Ippolito	5/419
5,740,566	A *	4/1998	Stacy	5/420
6,061,849	A *	5/2000	Seals	5/417
6,751,816	B1 *	6/2004	Wechsler	5/417
6,783,831	B2 *	8/2004	Cho	428/43
6,802,092	B1 *	10/2004	Klein	5/420
6,823,908	B2 *	11/2004	Hsu	144/350
D524,066	S *	7/2006	McDonald	D6/347
D612,183	S *	3/2010	Neuberg et al.	D6/583
2004/0088788	A1 *	5/2004	Alane	5/420
2008/0058165	A1 *	3/2008	Schletti	482/23
2008/0118671	A1 *	5/2008	Bienkiewicz	428/12

* cited by examiner

Primary Examiner — Karen S Acker

(74) *Attorney, Agent, or Firm* — Bryan Cave LLP

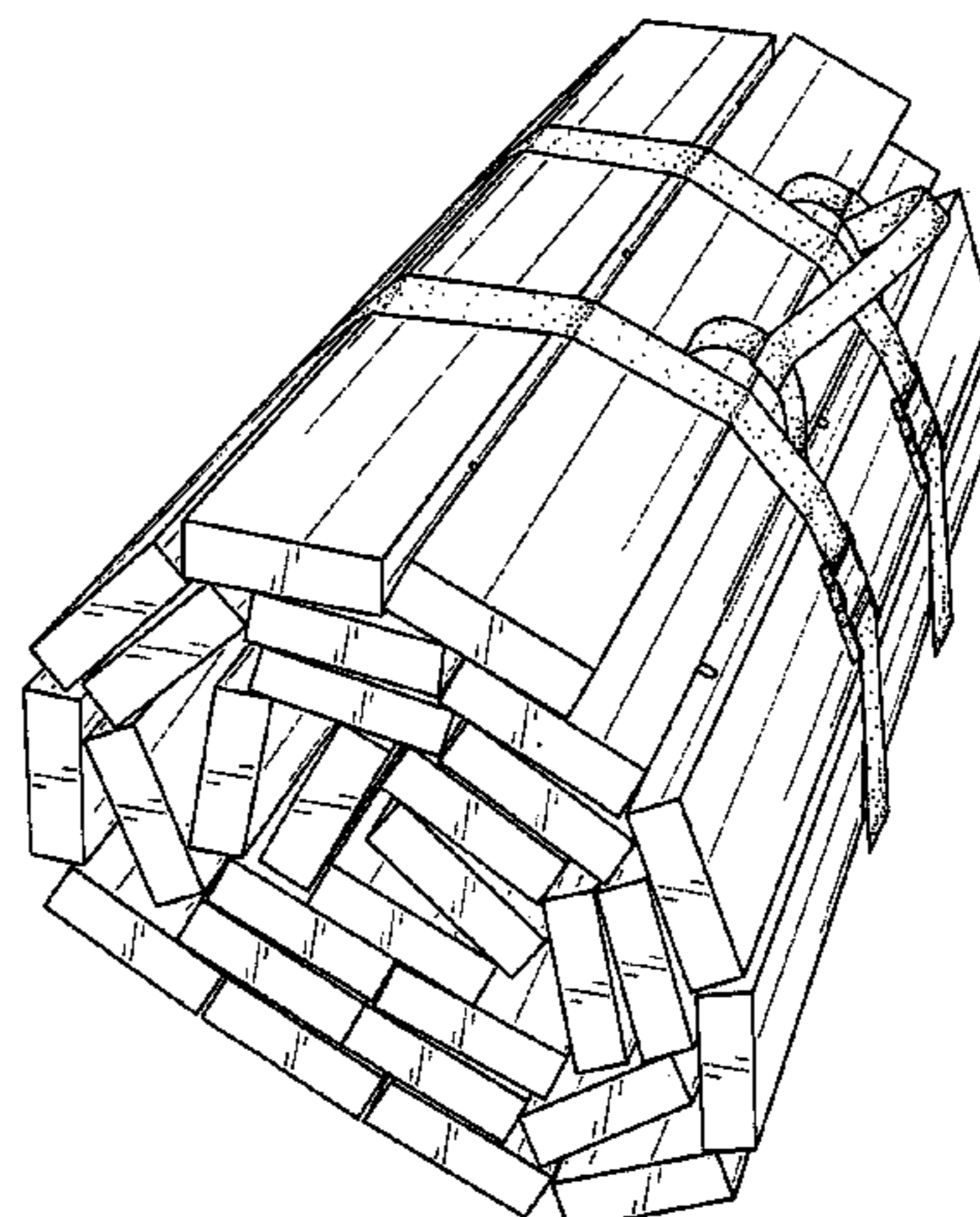
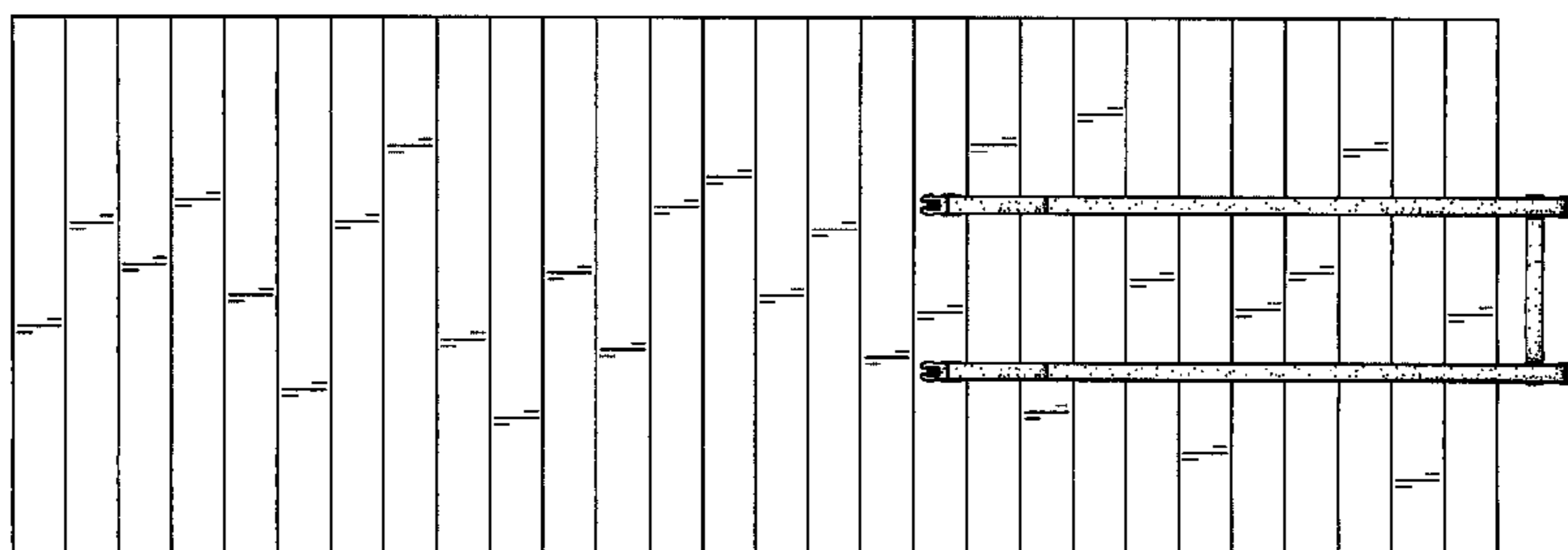
(57) **CLAIM**

The ornamental design for an exercise mat, as shown and described.

DESCRIPTION

FIG. 1 is a top perspective view of an exercise mat;
FIG. 2 is a top view thereof;
FIG. 3 is a bottom view thereof;
FIG. 4 is a side view thereof;
FIG. 5 is a side view thereof;
FIG. 6 is a side view thereof;
FIG. 7 is a side view thereof; and,
FIG. 8 is a view of the exercise mat in a rolled up configuration.

1 Claim, 6 Drawing Sheets



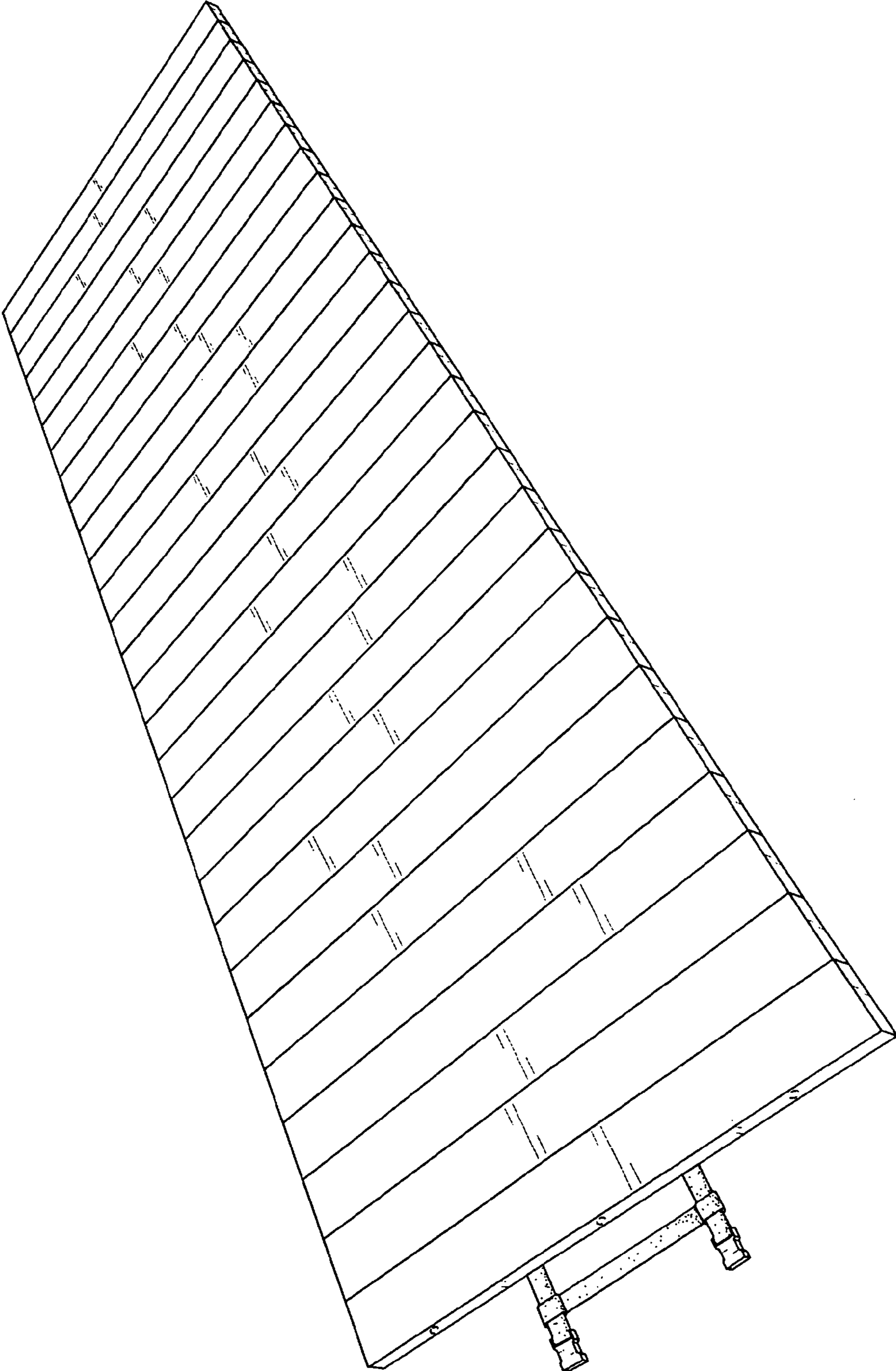


FIG. 1

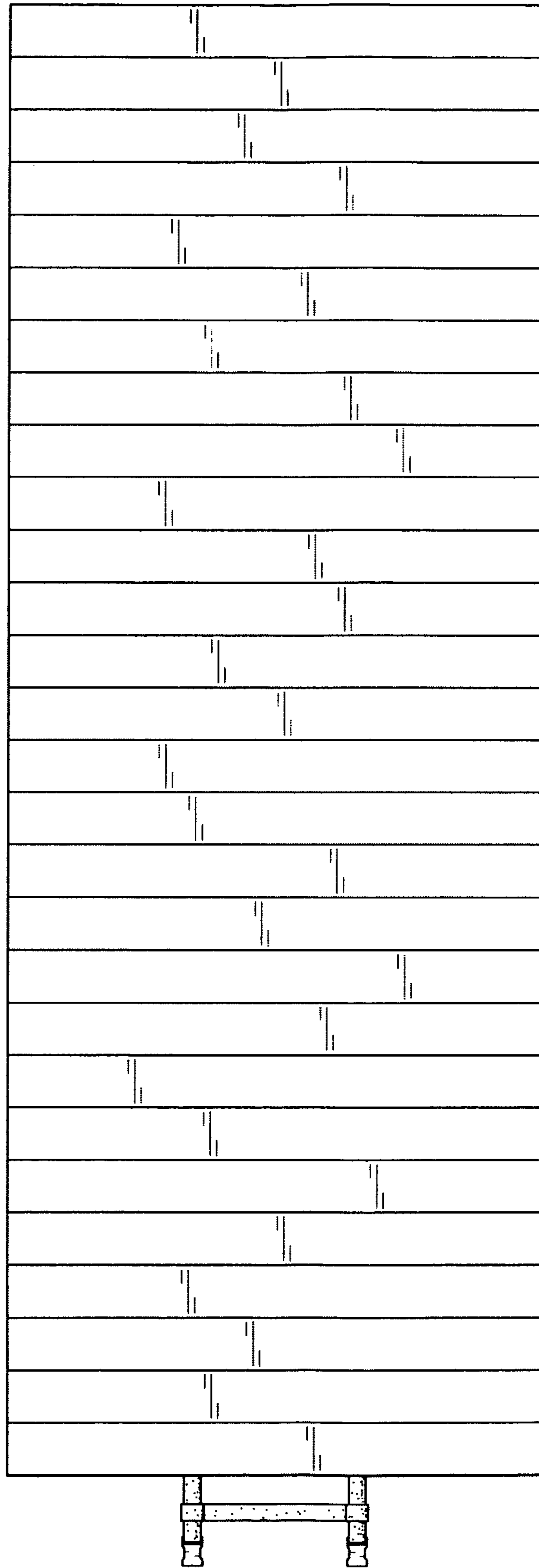


FIG. 2

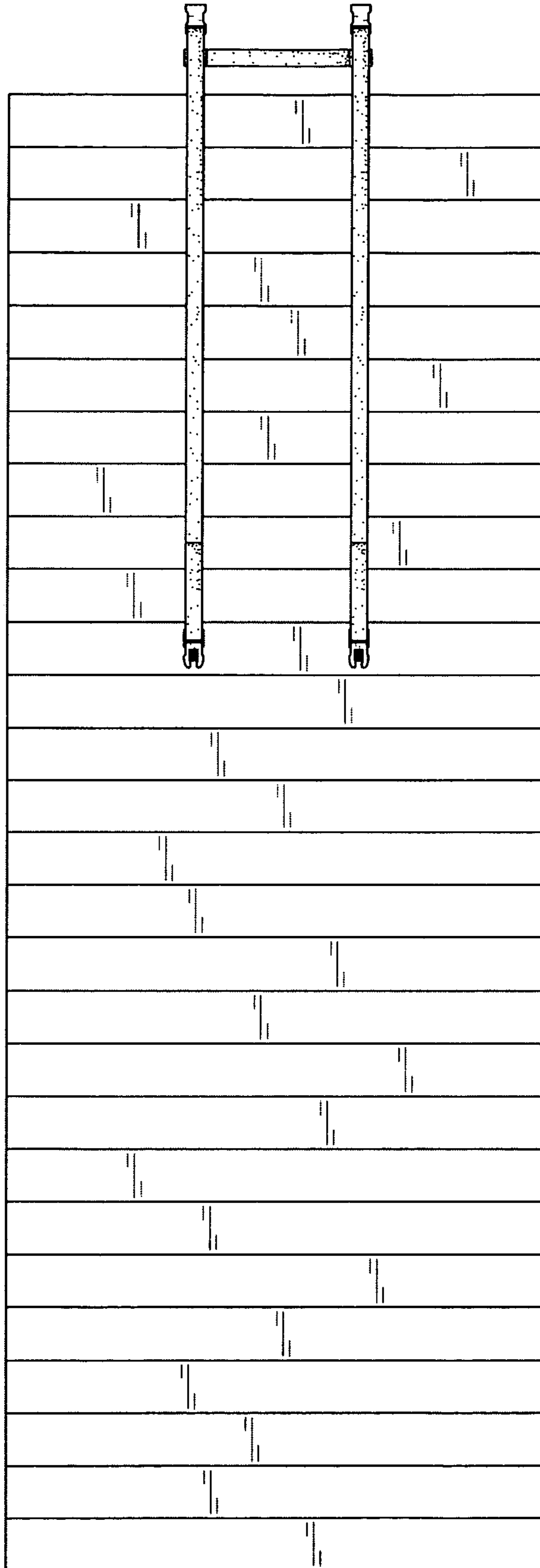


FIG. 3



FIG. 5



FIG. 4



FIG. 6

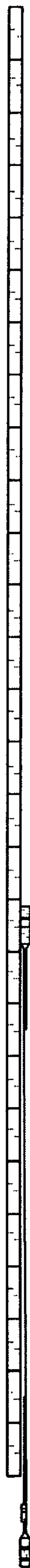


FIG. 7

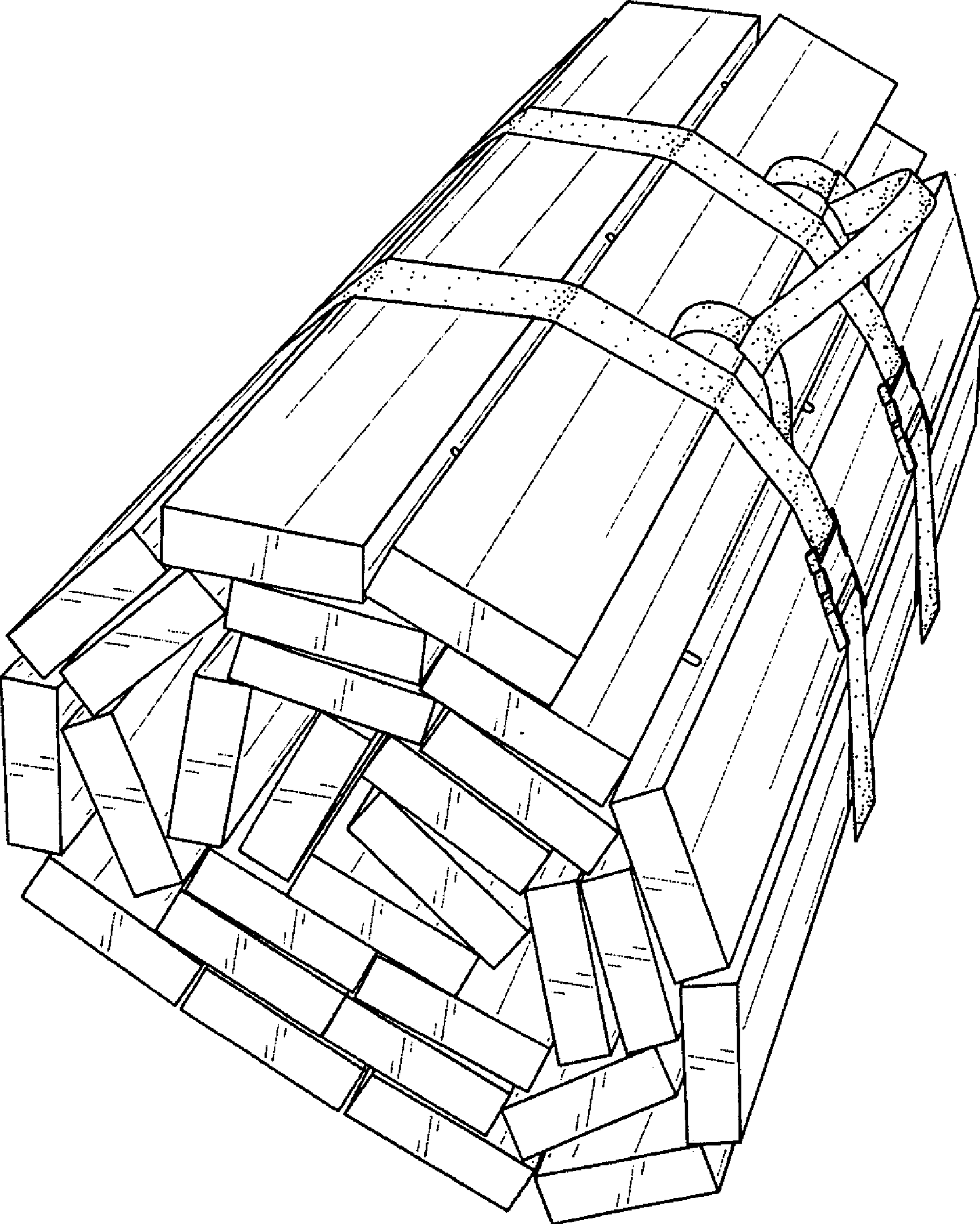


FIG. 8