



US00D644864S

(12) **United States Design Patent**
LaBonia, Jr. et al.

(10) **Patent No.:** **US D644,864 S**
(45) **Date of Patent:** **** Sep. 13, 2011**

(54) **FRONT WALL OF A CABINET SHELF**

(75) Inventors: **Vincent LaBonia, Jr.**, Wallingford, CT (US); **John Szalan**, Shelton, CT (US); **Brian Moulder**, Orange, CT (US); **Peter Corrado**, East Haven, CT (US)

(73) Assignee: **Platt & LaBonia Co.**, North Haven, CT (US)

(**) Term: **14 Years**

(21) Appl. No.: **29/268,100**

(22) Filed: **Oct. 30, 2006**

Related U.S. Application Data

(63) Continuation of application No. 10/676,521, filed on Oct. 1, 2003, now Pat. No. 7,128,379.

(51) **LOC (9) Cl.** **06-02**

(52) **U.S. Cl.** **D6/511**

(58) **Field of Classification Search** D6/491-492, D6/509-511, 406.3-406.4; D14/447; 108/27, 108/59, 180; 211/59.2, 135, 153, 186; 312/140.1, 312/140.4

See application file for complete search history.

(56) **References Cited**

U.S. PATENT DOCUMENTS

D141,059 S *	5/1945	Siegel	D6/314
3,086,658 A *	4/1963	Palmer	211/50
4,015,886 A *	4/1977	Wickenberg	
D285,047 S *	8/1986	Dean et al.	D8/382
D330,649 S *	11/1992	Lemire	D6/466
D331,010 S *	11/1992	Garner	D8/403
5,209,452 A *	5/1993	Goldberg	248/676
D384,106 S *	9/1997	Shinya	D19/65
5,682,698 A *	11/1997	Bevins	40/661.03
5,702,011 A *	12/1997	Carroll	211/135
5,730,511 A *	3/1998	Doan et al.	312/234.4

D402,143 S *	12/1998	Zapf	D6/510
D424,330 S *	5/2000	DeWitt	D6/466
D431,403 S *	10/2000	Ford	
D455,755 S *	4/2002	Levine et al.	D14/447
D461,977 S *	8/2002	Mitchell	D6/509
D507,131 S *	7/2005	Pingel	D6/491
D510,220 S *	10/2005	Sandy	D6/511
D520,862 S *	5/2006	Munson et al.	D8/354
D521,286 S *	5/2006	Colmenares	
D525,059 S *	7/2006	Golias et al.	D6/511
D529,291 S *	10/2006	Schloss	D3/318
D541,563 S *	5/2007	LaBonia et al.	D6/511
D568,079 S *	5/2008	Klein et al.	D6/510
D568,648 S *	5/2008	Roussel et al.	D6/511
D577,936 S *	10/2008	Held	D6/510
D584,941 S *	1/2009	Broehl et al.	D8/377
D593,783 S *	6/2009	Golias et al.	D6/511
D608,107 S *	1/2010	Luebcke	D6/418
D629,987 S *	12/2010	D'Ulisse	D32/58
2006/0278792 A1 *	12/2006	Cote	248/317

* cited by examiner

Primary Examiner — Elizabeth Albert

Assistant Examiner — Kelley Donnelly

(74) *Attorney, Agent, or Firm* — Raymond A. Nuzzo

(57) **CLAIM**

The ornamental design for a front wall of a cabinet shelf, as shown and described.

DESCRIPTION

FIG. 1 is a rear top perspective view of a front wall of a cabinet shelf;

FIG. 2 is a front top perspective view thereof;

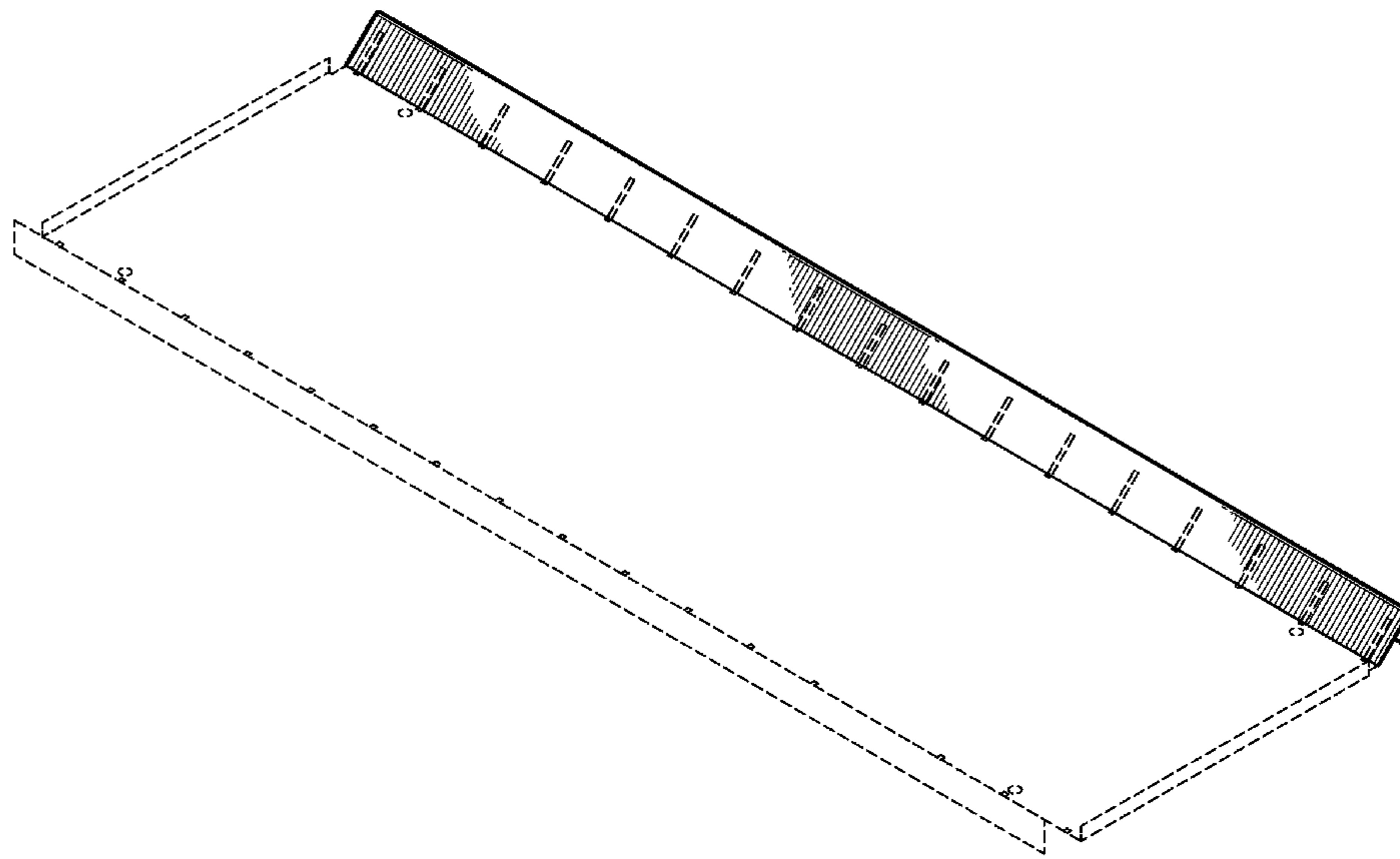
FIG. 3 is a top plan view thereof;

FIG. 4 is a left end elevation view thereof; the right end elevation view being a mirror image; and,

FIG. 5 is a front elevation view thereof.

The broken lines showing in FIGS. 1-5 is included for the purpose of illustrating environment of the design and forms no part of the claimed design.

1 Claim, 5 Drawing Sheets



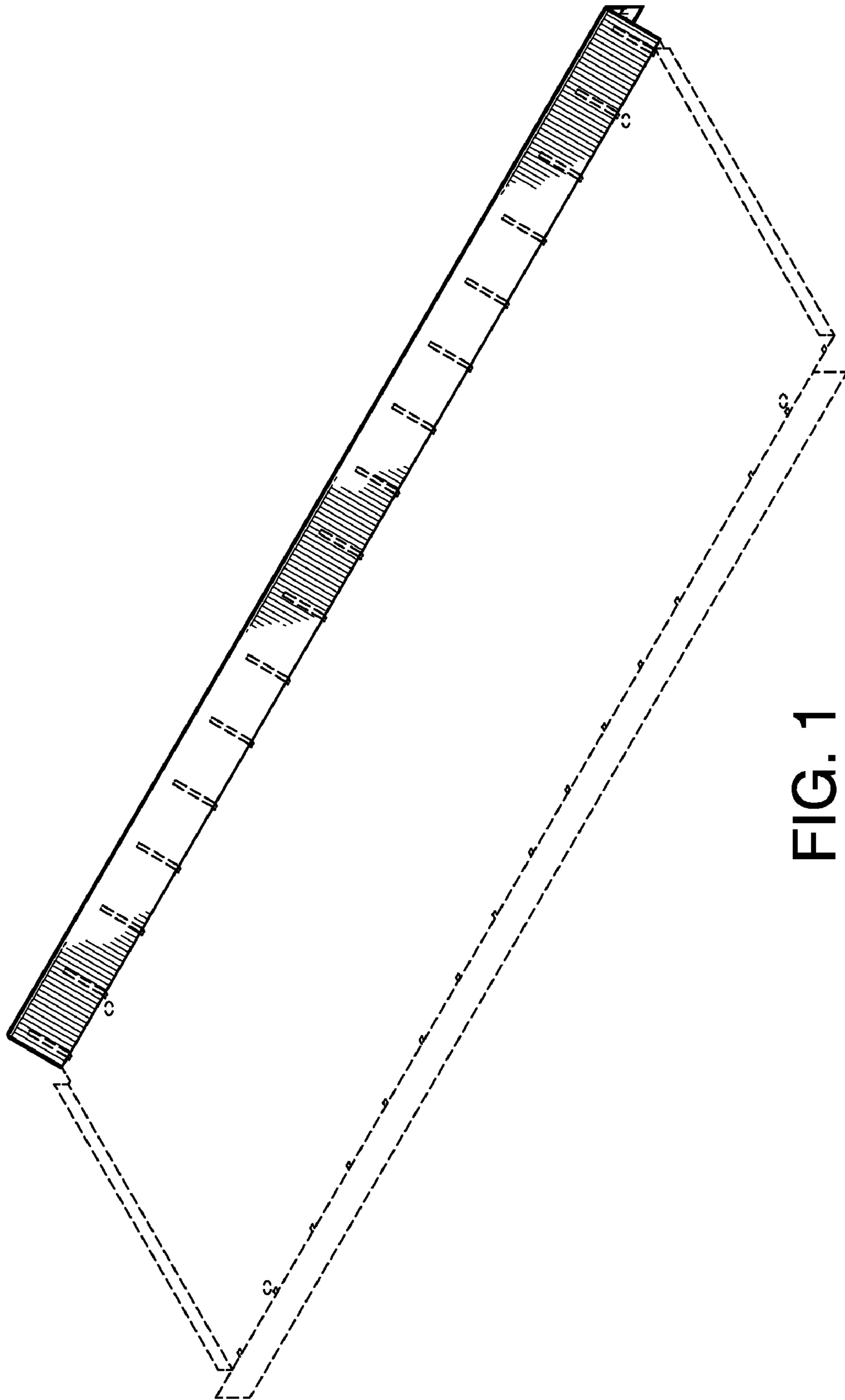


FIG. 1

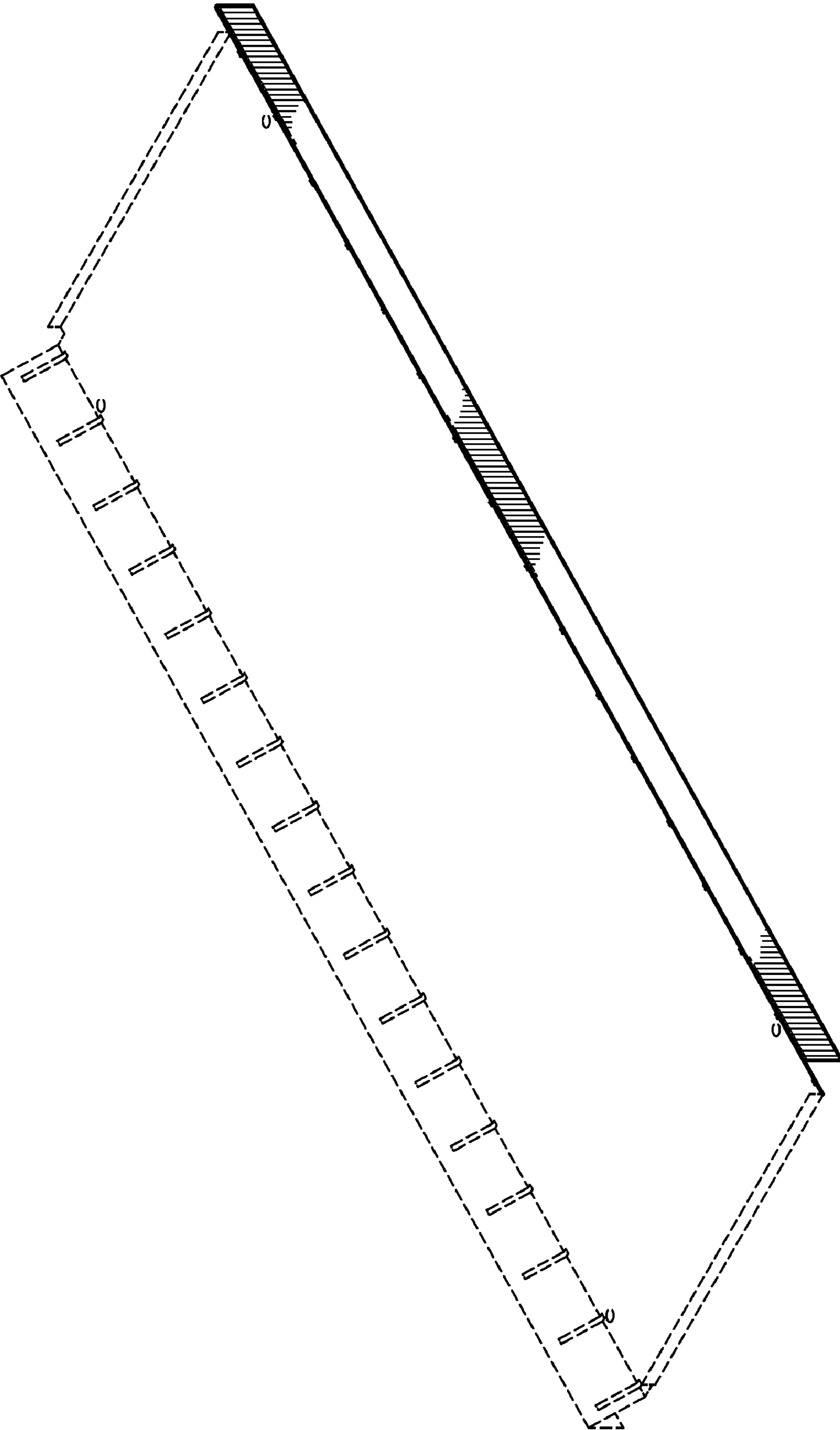


FIG. 2

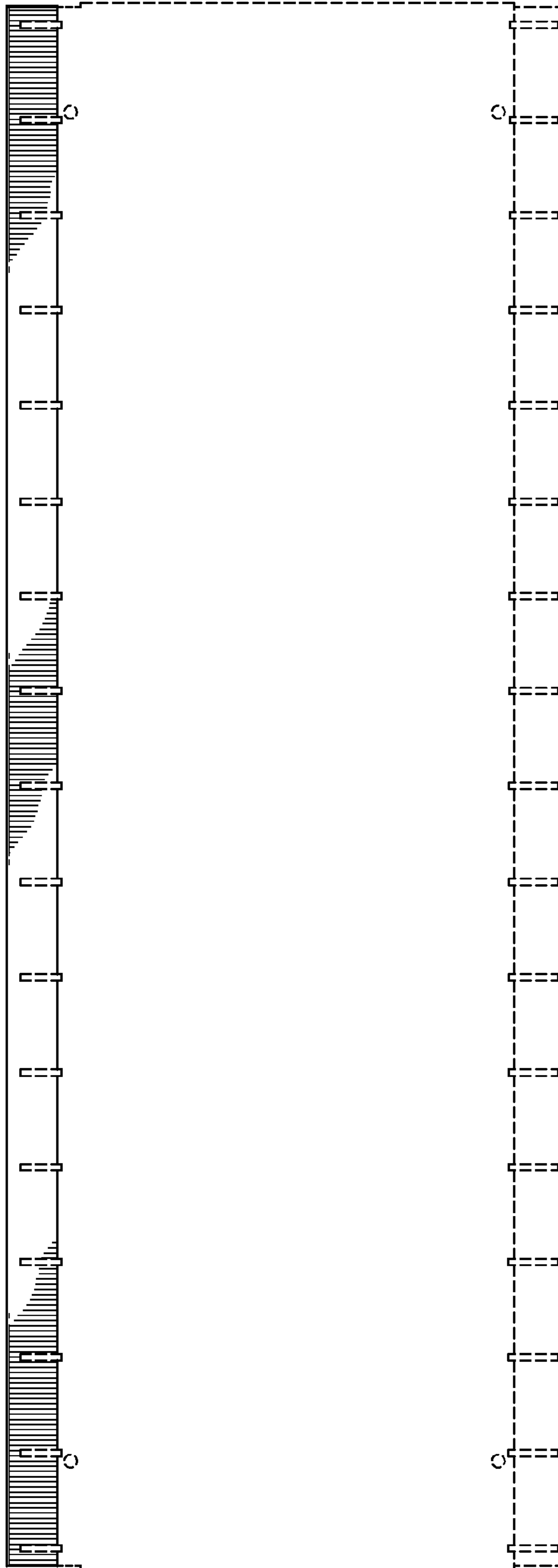


FIG. 3

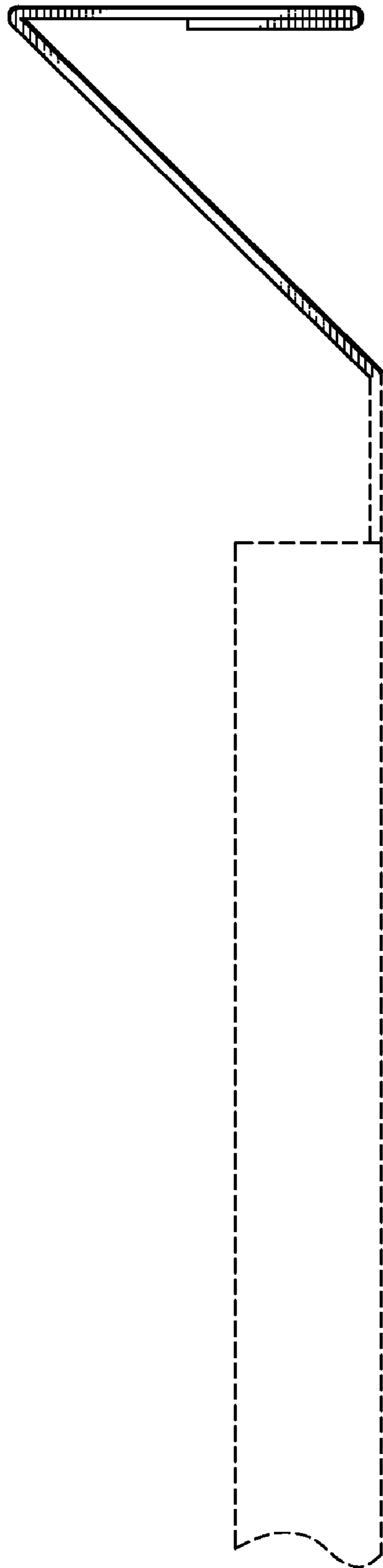


FIG. 4

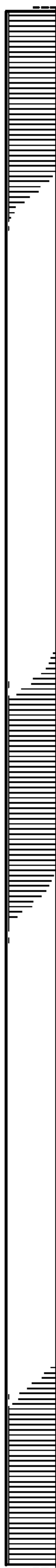


FIG. 5