



US00D644863S

(12) **United States Design Patent**
James

(10) **Patent No.:** **US D644,863 S**
(45) **Date of Patent:** **** Sep. 13, 2011**

(54) **DESKTOP WITH STORAGE UNIT**

DESCRIPTION

(75) Inventor: **Stephen Robert James**, Five Dock (AU)

(73) Assignee: **Infinite Furniture Solutions Inc.**,
Cameron, TX (US)

(**) Term: **14 Years**

(21) Appl. No.: **29/368,197**

(22) Filed: **Aug. 19, 2010**

(51) **LOC (9) Cl.** **06-01**

(52) **U.S. Cl.** **D6/500**

(58) **Field of Classification Search** D6/330,
D6/335-338, 340, 349-355, 358, 359, 364,
D6/366, 376, 491, 495, 500-502; 297/16.1,
297/39, 46, 135, 140, 156, 158.3, 158.4,
297/175, 177, 187, 195.1, 195.11, 211, 245,
297/423.1, 423.16, 445.1, 461, 462, 136,
297/170, 172, 174 F

See application file for complete search history.

(56) **References Cited**

U.S. PATENT DOCUMENTS

D104,500 S * 5/1937 Moore D6/511
2,226,458 A 12/1940 Bargaen
2,841,211 A 7/1958 Thompson
2,942,921 A * 6/1960 Rachman et al. 108/26

(Continued)

OTHER PUBLICATIONS

U.S. Appl. No. 29/304,431, filed Feb. 29, 2008, Sumner et al.

(Continued)

Primary Examiner — Sandra Snapp

(74) *Attorney, Agent, or Firm* — Haynes and Boone, LLP

(57) **CLAIM**

The ornamental design for a desktop with storage unit, as shown and described.

This application is related to the following U.S. design patent application Ser. No. 29/368,198, filed Aug. 19, 2010, currently pending, the entire disclosure of which is incorporated by reference.

FIG. 1 is a perspective view of the desktop with storage unit showing my new design according to a first embodiment, the storage unit of the first embodiment being made of material that is transparent, translucent or the like;

FIG. 2 is another perspective view of the first embodiment; FIG. 3 is a front elevational view of the first embodiment; FIG. 4 is a right side elevational view of the first embodiment; FIG. 5 is a left side elevational view of the first embodiment; FIG. 6 is a rear elevational view of the first embodiment; FIG. 7 is a top plan view of the first embodiment; FIG. 8 is a bottom plan view of the first embodiment;

FIG. 9 is a perspective view of the desktop with storage unit showing my new design according to a second embodiment, the second embodiment being identical to the first embodiment except that the storage unit of the second embodiment is made of material that is opaque;

FIG. 10 is a perspective view of the desktop with storage unit showing my new design according to a third embodiment, the storage unit of the third embodiment being made of material that is transparent, translucent or the like;

FIG. 11 is another perspective view of the third embodiment; FIG. 12 is a front elevational view of the third embodiment; FIG. 13 is a right side elevational view of the third embodiment;

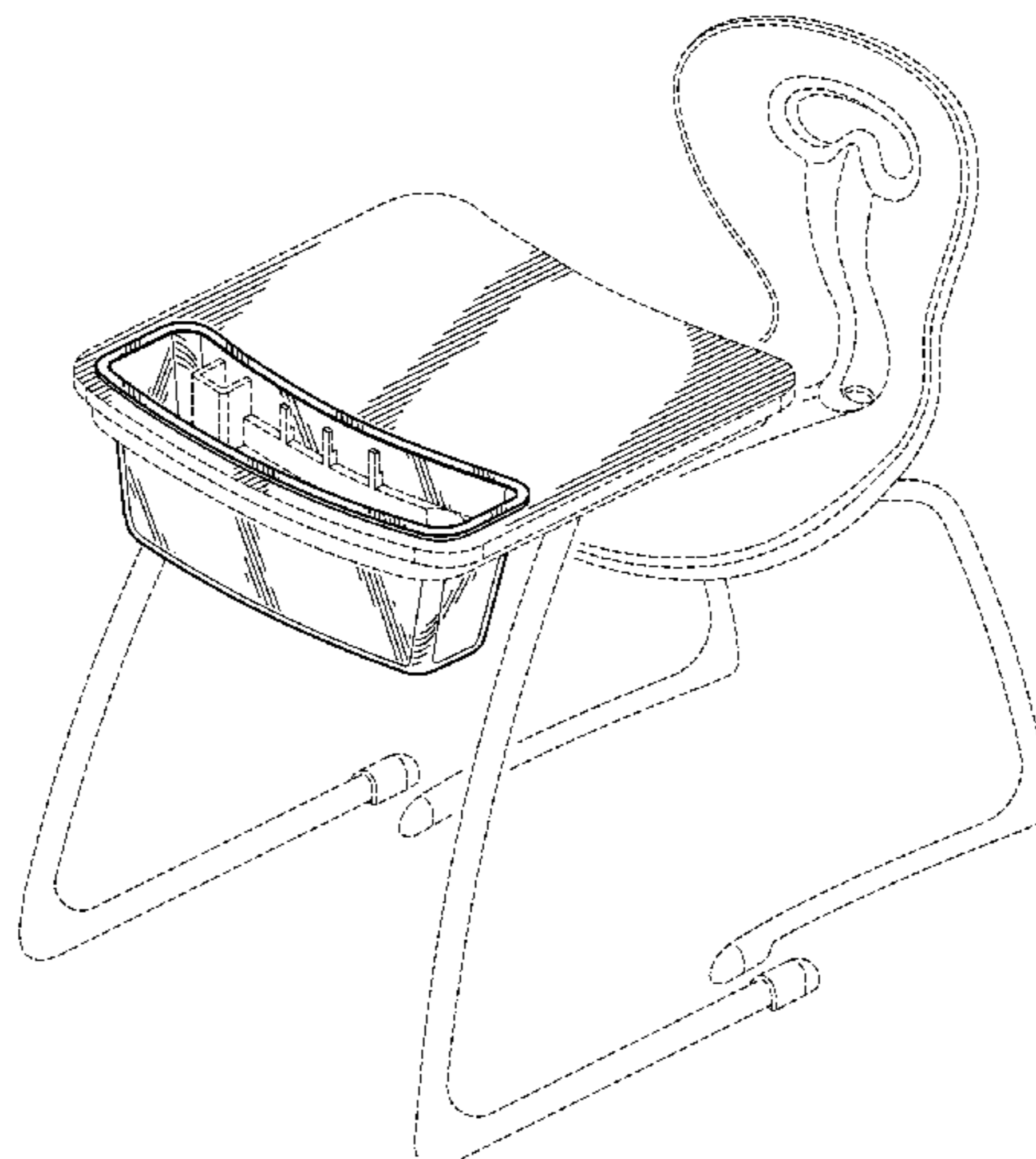
FIG. 14 is a left side elevational view of the third embodiment;

FIG. 15 is a rear elevational view of the third embodiment; FIG. 16 is a top plan view of the third embodiment;

FIG. 17 is a bottom plan view of the third embodiment; and, FIG. 18 is a perspective view of the desktop with storage unit showing my new design according to a fourth embodiment, the fourth embodiment being identical to the third embodiment except that the storage unit of the fourth embodiment is made of material that is opaque.

The broken lines in the drawings represent environmental structure and form no part of the claimed design.

1 Claim, 12 Drawing Sheets



US D644,863 S

U.S. PATENT DOCUMENTS

3,180,680	A	4/1965	Landvik	
3,233,940	A *	2/1966	Tooley, Jr.	297/188.18
3,584,915	A	6/1971	Meyers, Jr.	
3,614,186	A	10/1971	Jennings	
3,844,609	A	10/1974	Bomber	
4,125,192	A *	11/1978	Dayen	211/14
4,807,929	A	2/1989	Balsbaugh	
4,889,385	A	12/1989	Chadwick et al.	
D318,577	S	7/1991	Chadwick et al.	
D326,191	S *	5/1992	Schiffman	D6/338
D327,780	S	7/1992	Peters	
D348,572	S	7/1994	Glass	
D371,108	S	6/1996	Baker	
D377,275	S *	1/1997	Diletto	D6/418
5,657,970	A *	8/1997	Davis	269/16
D399,684	S	10/1998	Glass	
D411,354	S	6/1999	Wilson	
5,934,203	A	8/1999	Glass	
D413,571	S	9/1999	Glass	
D417,095	S	11/1999	Glass	
6,004,157	A	12/1999	Glass	
D427,404	S	6/2000	Glass	
D429,546	S	8/2000	Glass	
D429,914	S	8/2000	Glass	
D431,910	S	10/2000	Glass	
D434,234	S	11/2000	Ferrentino	
D441,557	S	5/2001	Glass	
6,247,770	B1	6/2001	Glass	
D459,619	S	7/2002	Glass	
D469,969	S	2/2003	Glass et al.	
D471,729	S	3/2003	Glass et al.	
6,533,352	B1	3/2003	Glass et al.	
D476,512	S	7/2003	Glass	
D479,118	S	9/2003	Glass	
D499,260	S	12/2004	Glass et al.	
D503,559	S	4/2005	Glass et al.	
D504,026	S	4/2005	Glass et al.	
D505,022	S	5/2005	Mills et al.	
D505,032	S	5/2005	Bergin	
D505,581	S	5/2005	Glass et al.	
D506,225	S	6/2005	Mills et al.	
D507,890	S *	8/2005	Mills et al.	D6/336
D507,893	S	8/2005	Glass et al.	
D510,258	S	10/2005	Glass et al.	
D510,670	S	10/2005	Glass et al.	
D512,252	S	12/2005	Glass et al.	
D513,892	S	1/2006	Glass et al.	
D513,911	S	1/2006	Glass et al.	

D514,339	S	2/2006	Glass et al.	
D514,829	S	2/2006	Glass et al.	
D518,706	S	4/2006	Hui et al.	
D520,768	S	5/2006	Glass et al.	
D520,782	S	5/2006	Glass et al.	
D521,282	S	5/2006	Glass et al.	
D521,283	S	5/2006	Glass et al.	
D521,750	S	5/2006	Glass et al.	
D521,751	S	5/2006	Glass et al.	
D521,757	S	5/2006	Glass et al.	
D522,265	S	6/2006	Glass et al.	
D522,777	S	6/2006	Glass et al.	
D523,265	S	6/2006	Glass et al.	
7,059,670	B2	6/2006	Mills et al.	
D526,134	S	8/2006	Glass et al.	
7,147,284	B2	12/2006	Mills et al.	
D542,039	S	5/2007	Glass et al.	
D544,230	S	6/2007	Glass et al.	
D546,097	S	7/2007	Glass et al.	
D546,593	S	7/2007	Bergin	
D547,979	S	8/2007	Glass et al.	
D547,980	S	8/2007	Glass et al.	
D549,018	S	8/2007	Glass et al.	
7,281,476	B2	10/2007	Mills et al.	
D559,592	S	1/2008	Glass et al.	
D560,084	S	1/2008	Glass et al.	
D560,085	S	1/2008	Glass et al.	
D587,043	S	2/2009	Adams et al.	
D587,480	S *	3/2009	Ciocchini	D6/406.2
D589,725	S	4/2009	Adams et al.	
D608,101	S *	1/2010	Coute	D6/338
2002/0171021	A1	11/2002	Goretti	
2004/0188299	A1	9/2004	Vaira et al.	
2005/0056762	A1	3/2005	Martin et al.	
2005/0098069	A1	5/2005	Mills et al.	
2005/0099040	A1	5/2005	Mills et al.	
2005/0275262	A1	12/2005	Mills et al.	
2006/0065167	A1	3/2006	Chi et al.	
2006/0071515	A1	4/2006	Mills et al.	
2008/0258514	A1	10/2008	Nichols et al.	

OTHER PUBLICATIONS

U.S. Appl. No. 60/892,468, filed Mar. 1, 2007, Sumner et al.
 U.S. Appl. No. 61/235,059, filed Aug. 19, 2009, James.
 U.S. Appl. No. 29/368,198, filed Aug. 19, 2010, James.
 Sebel Furniture Ltd., The Education Furniture Range, 2002 (16 pages).

* cited by examiner

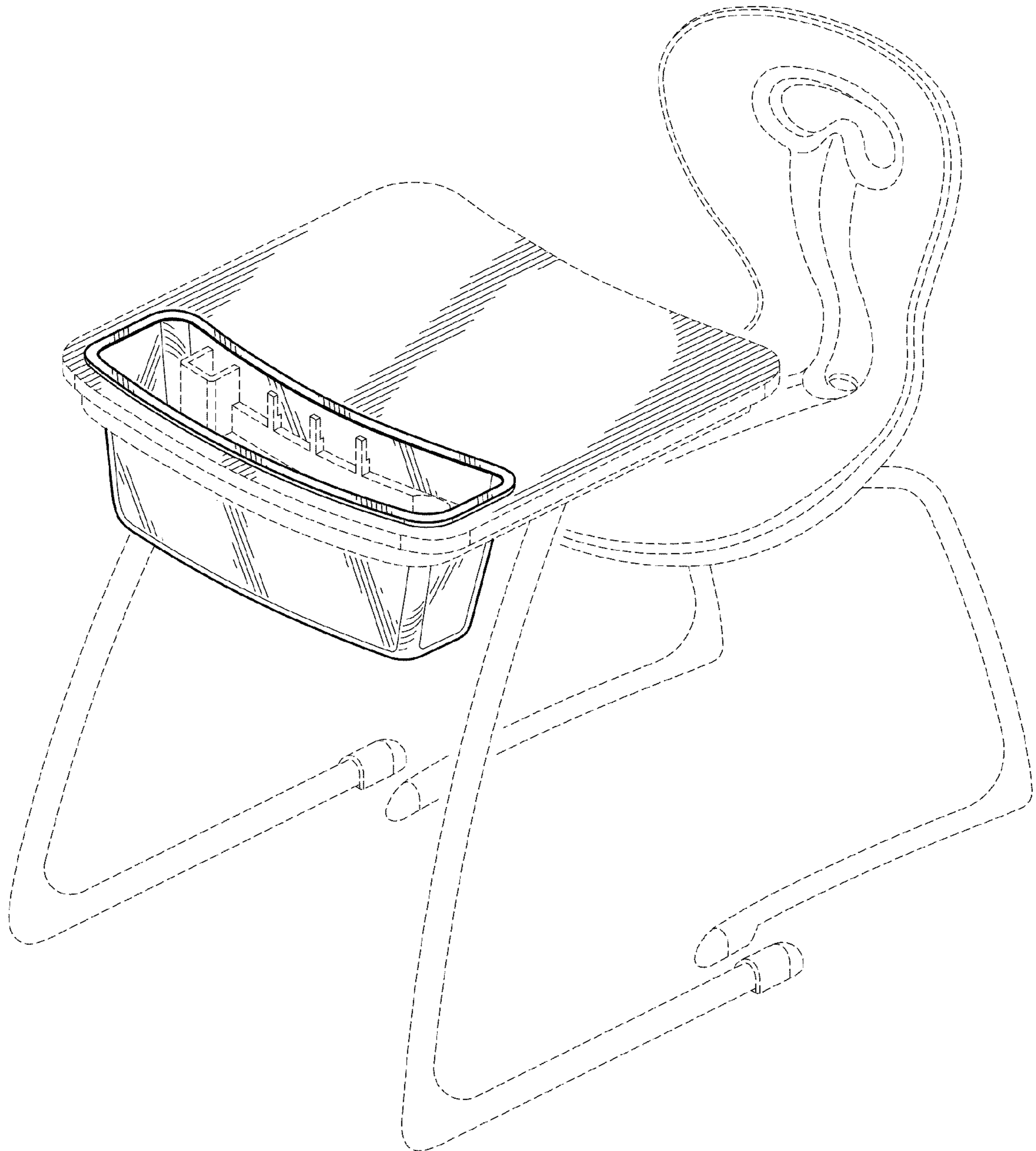


Fig. 1

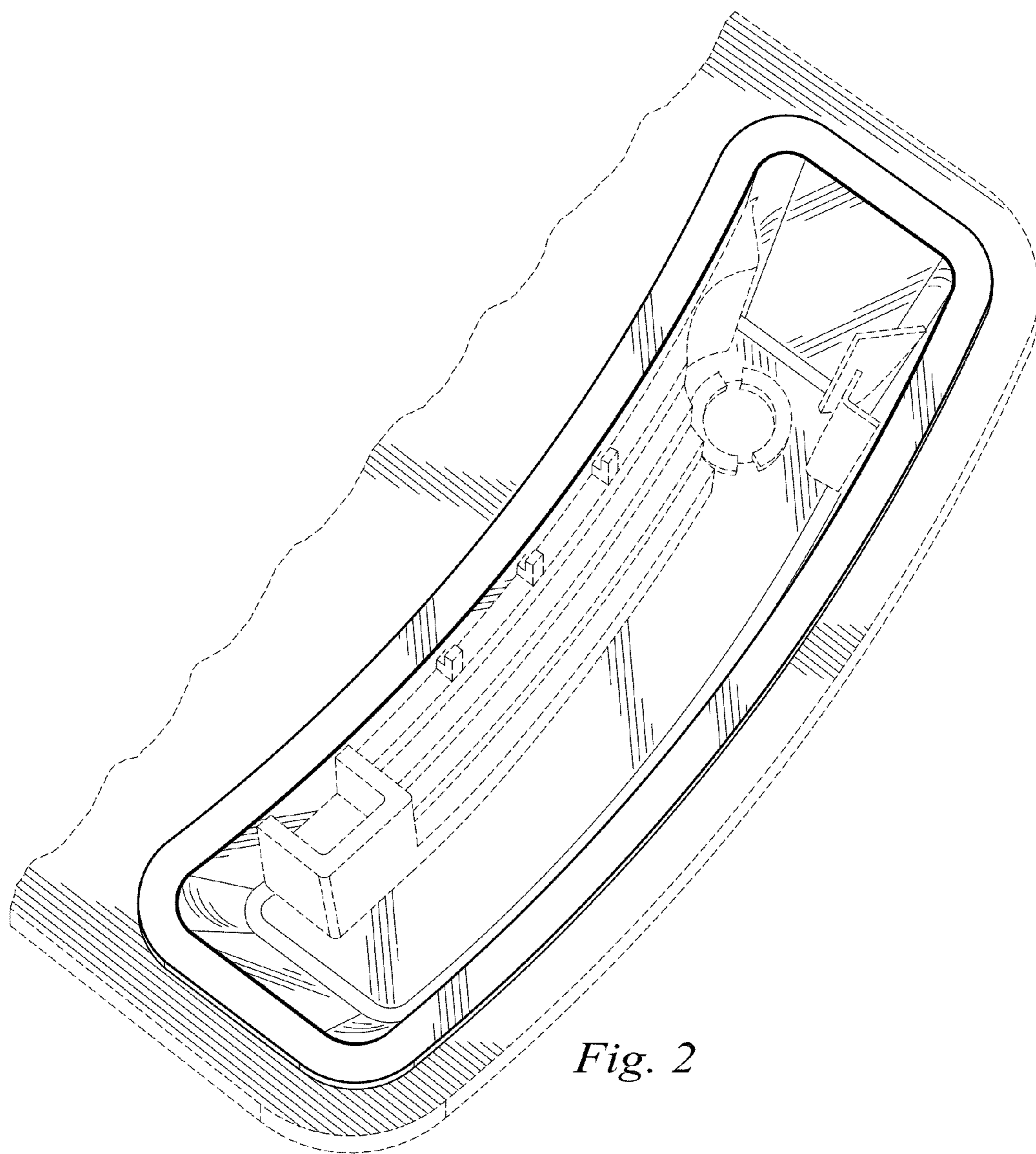


Fig. 2

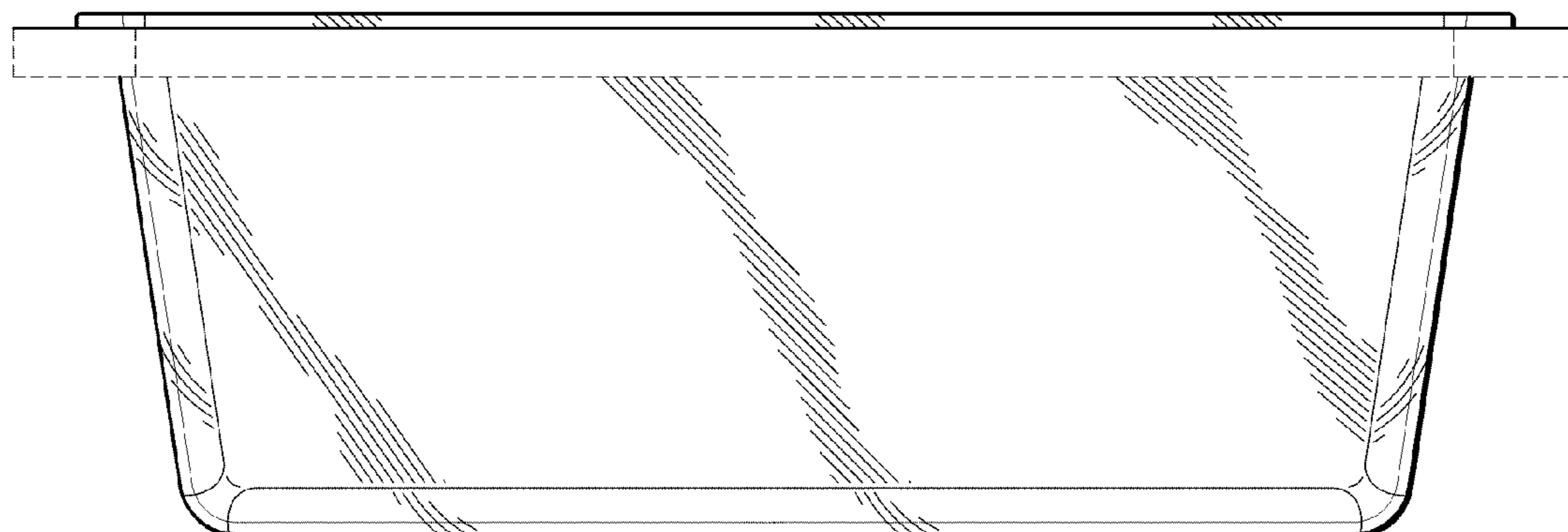


Fig. 3

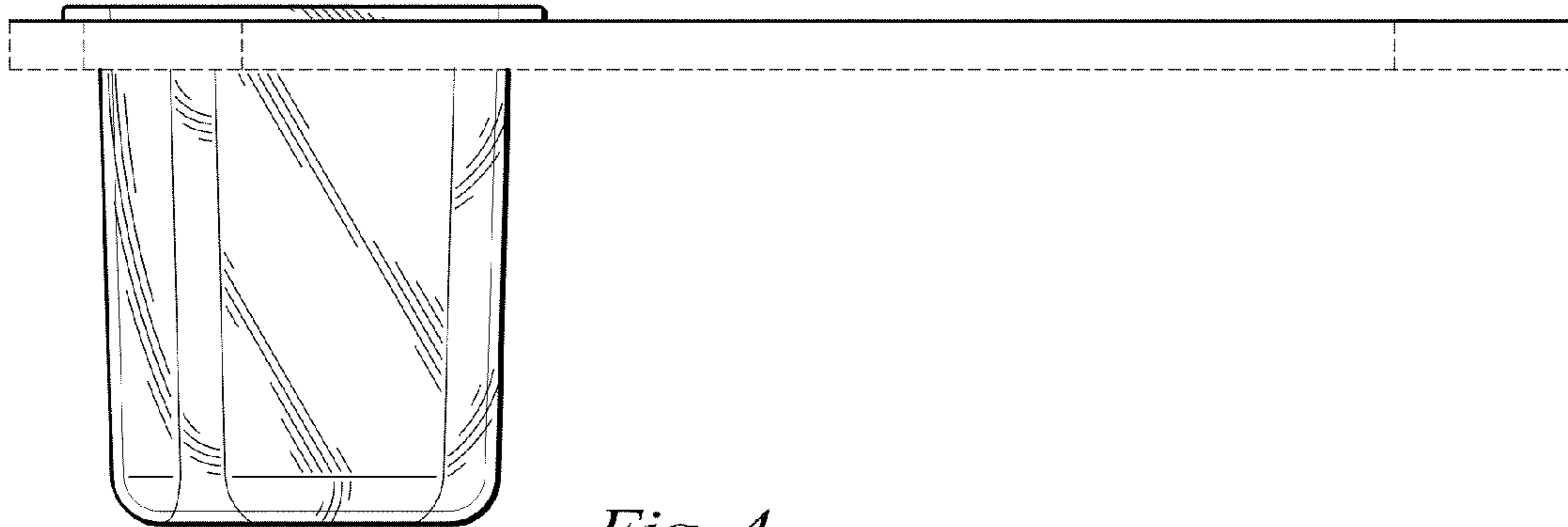


Fig. 4

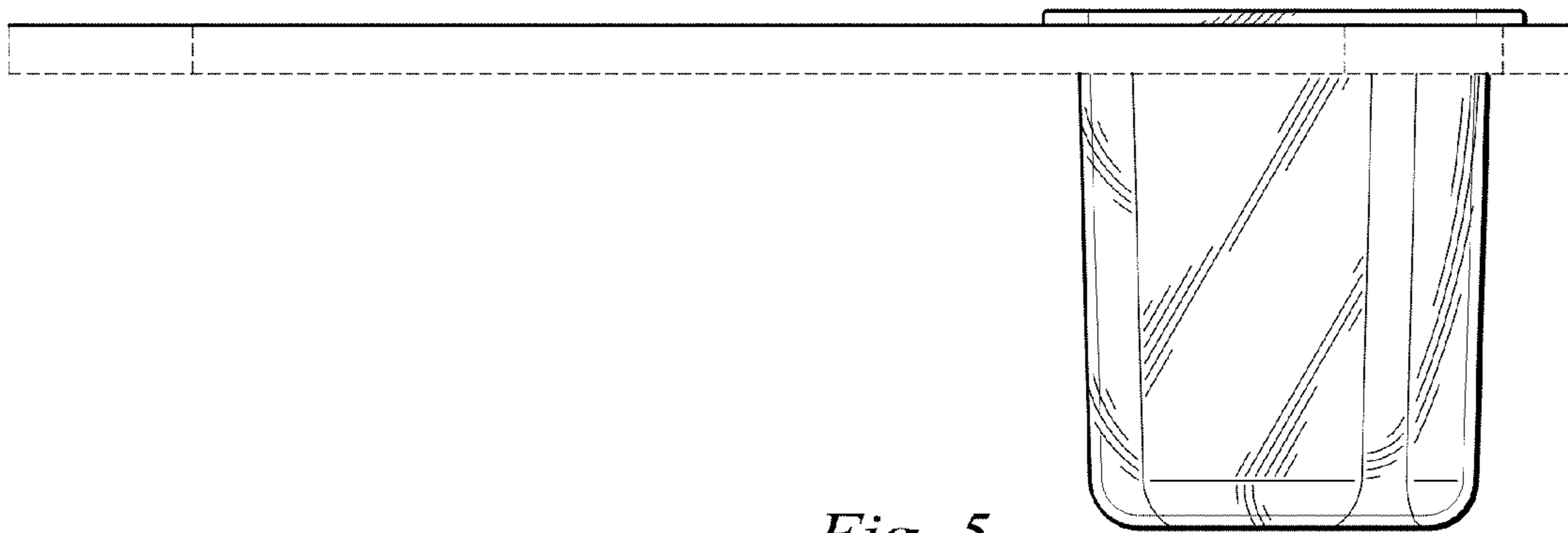


Fig. 5

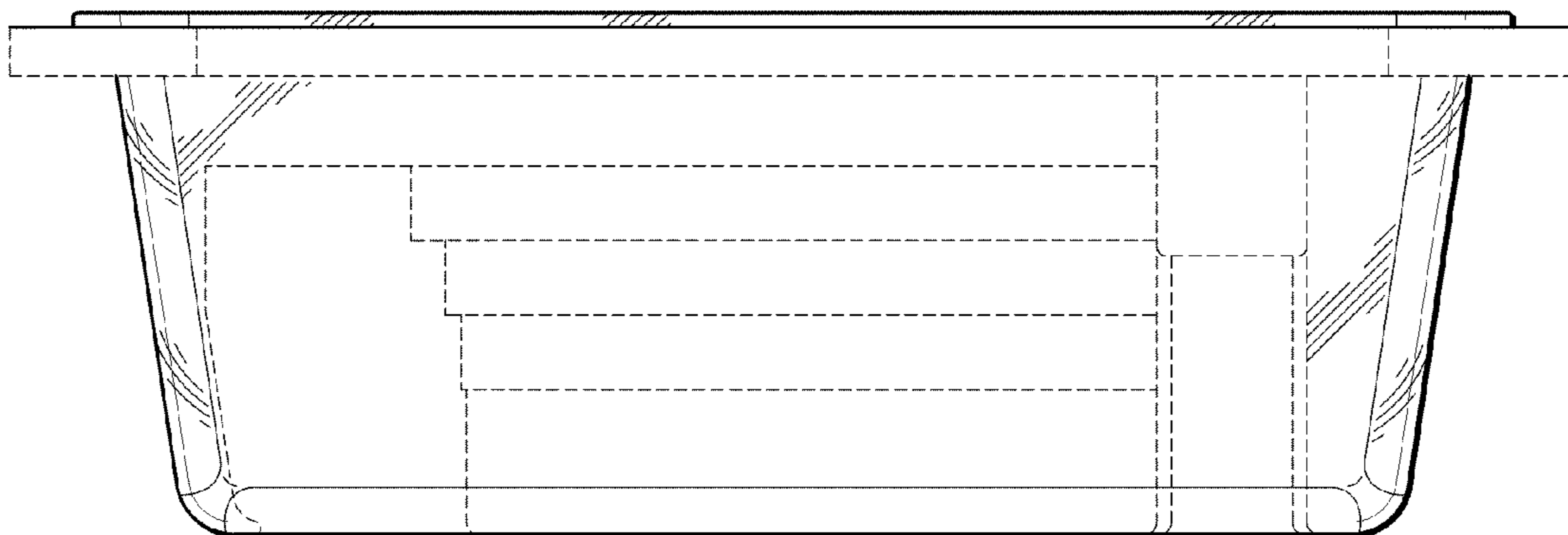


Fig. 6

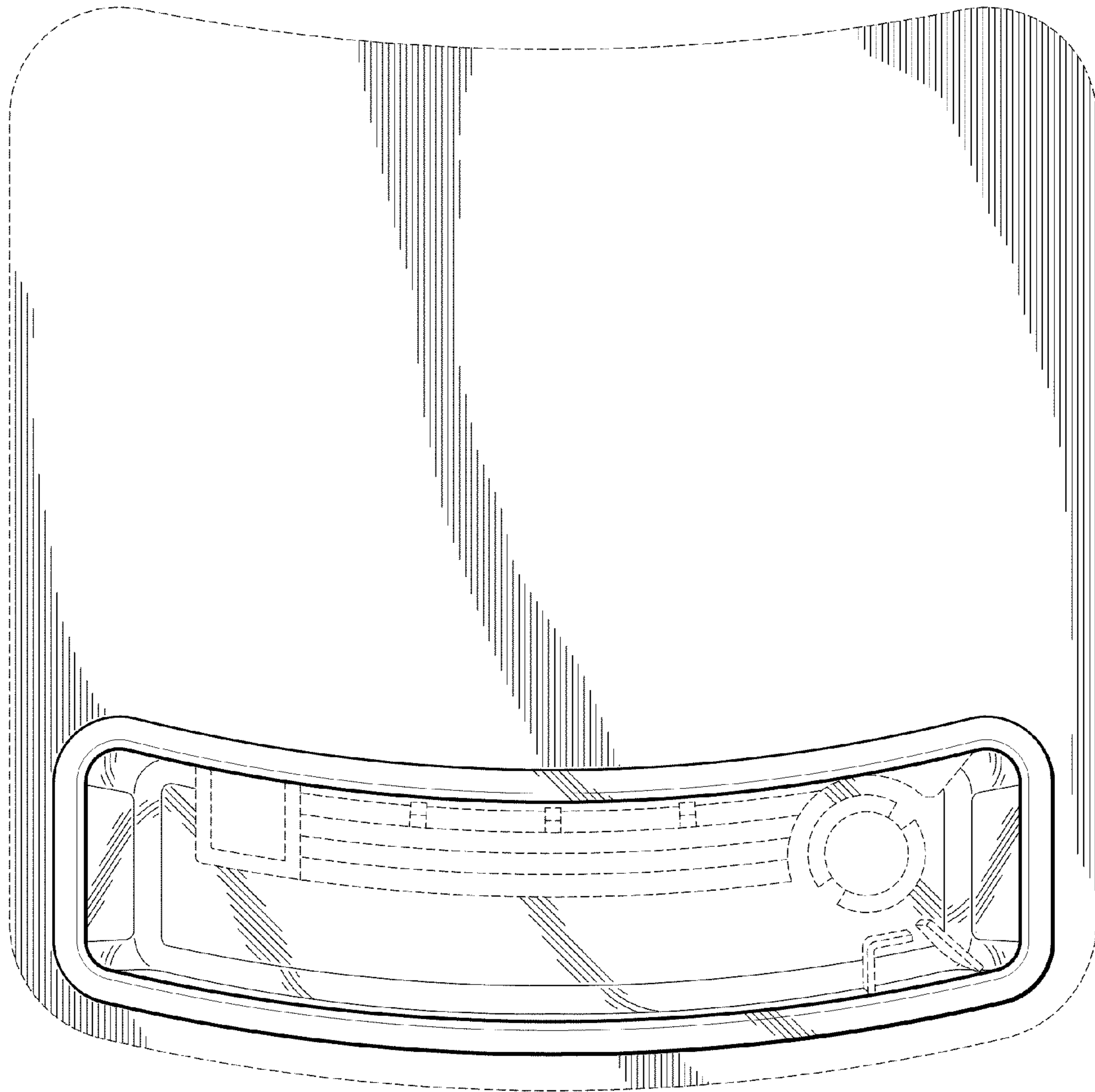


Fig. 7

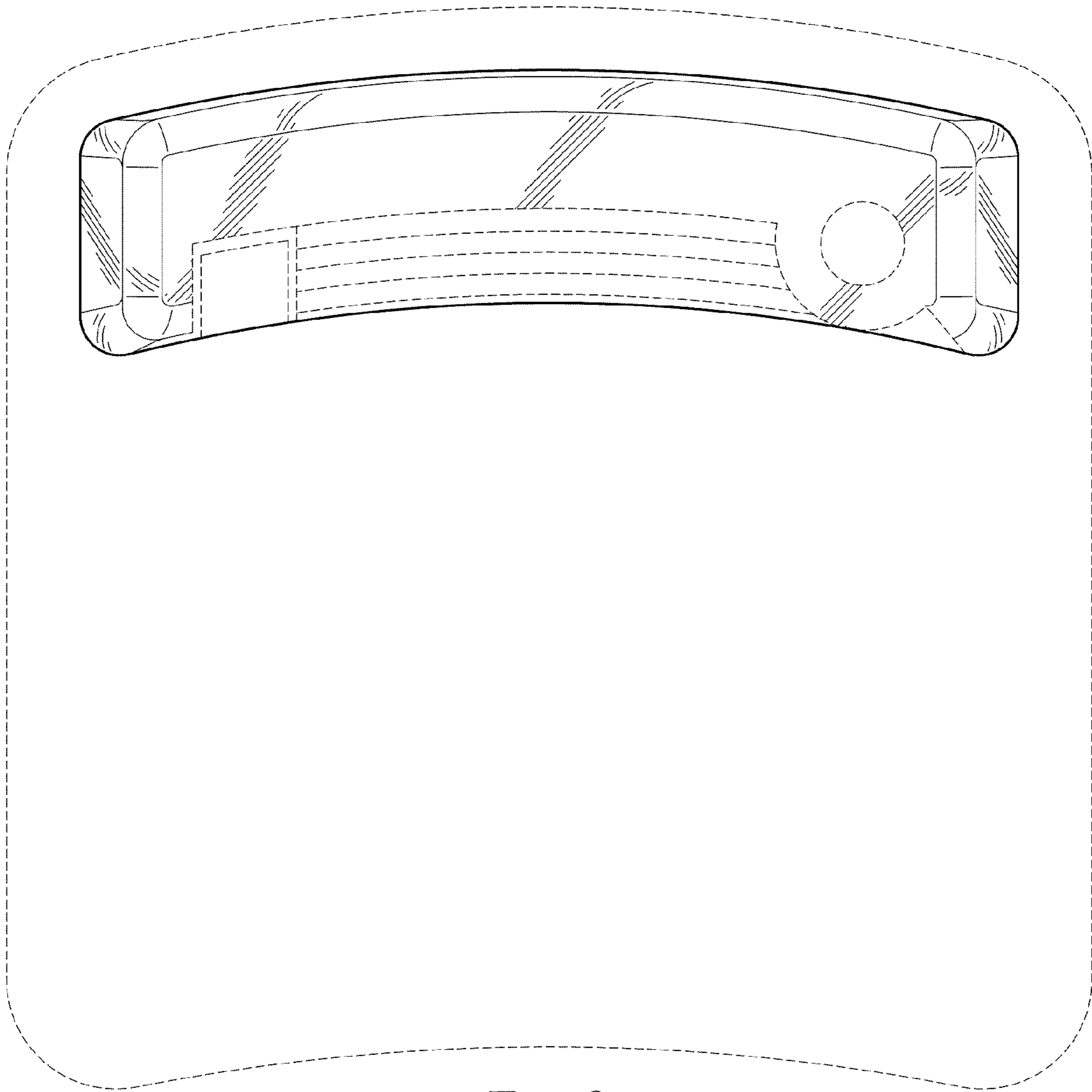


Fig. 8

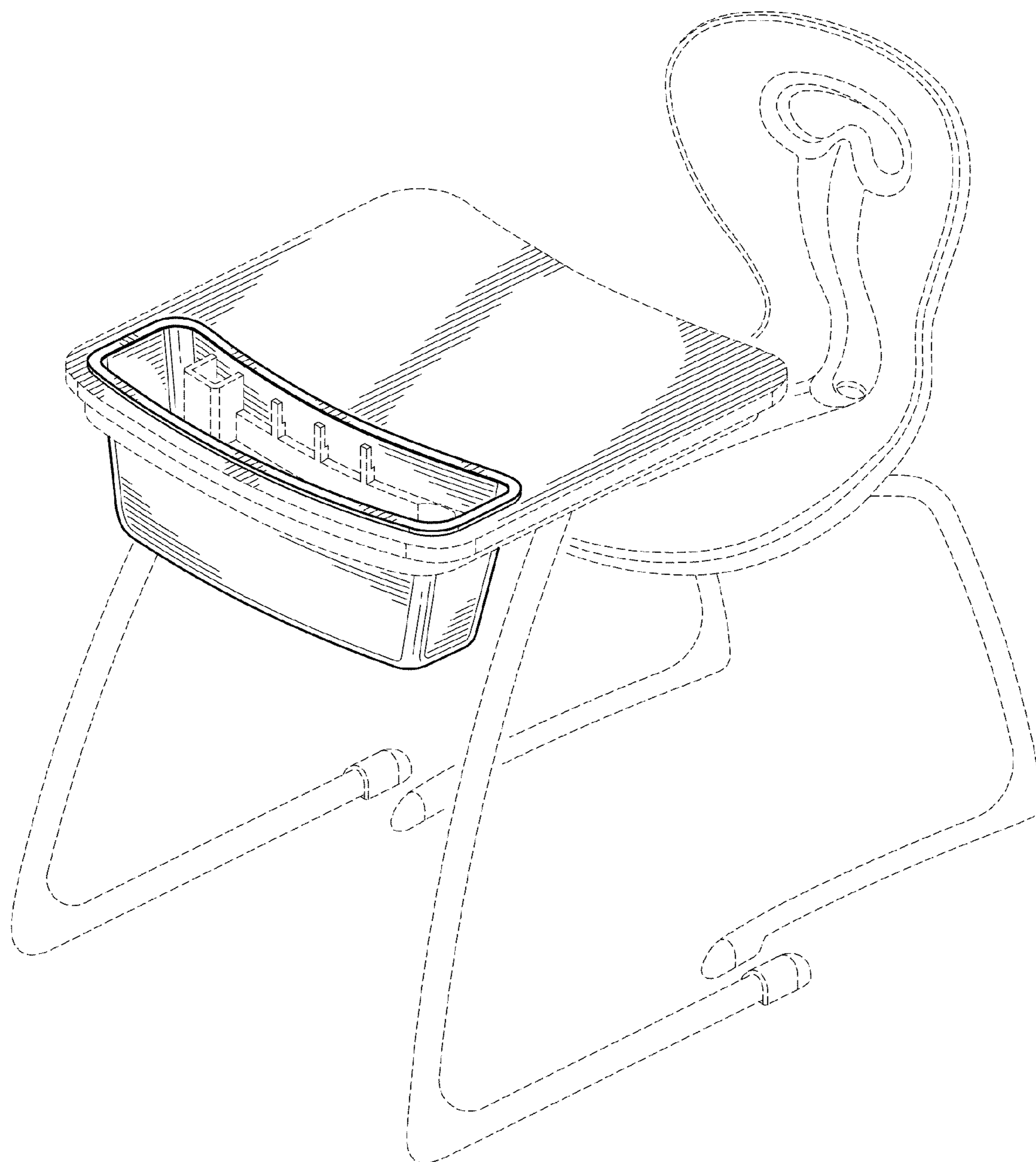


Fig. 9

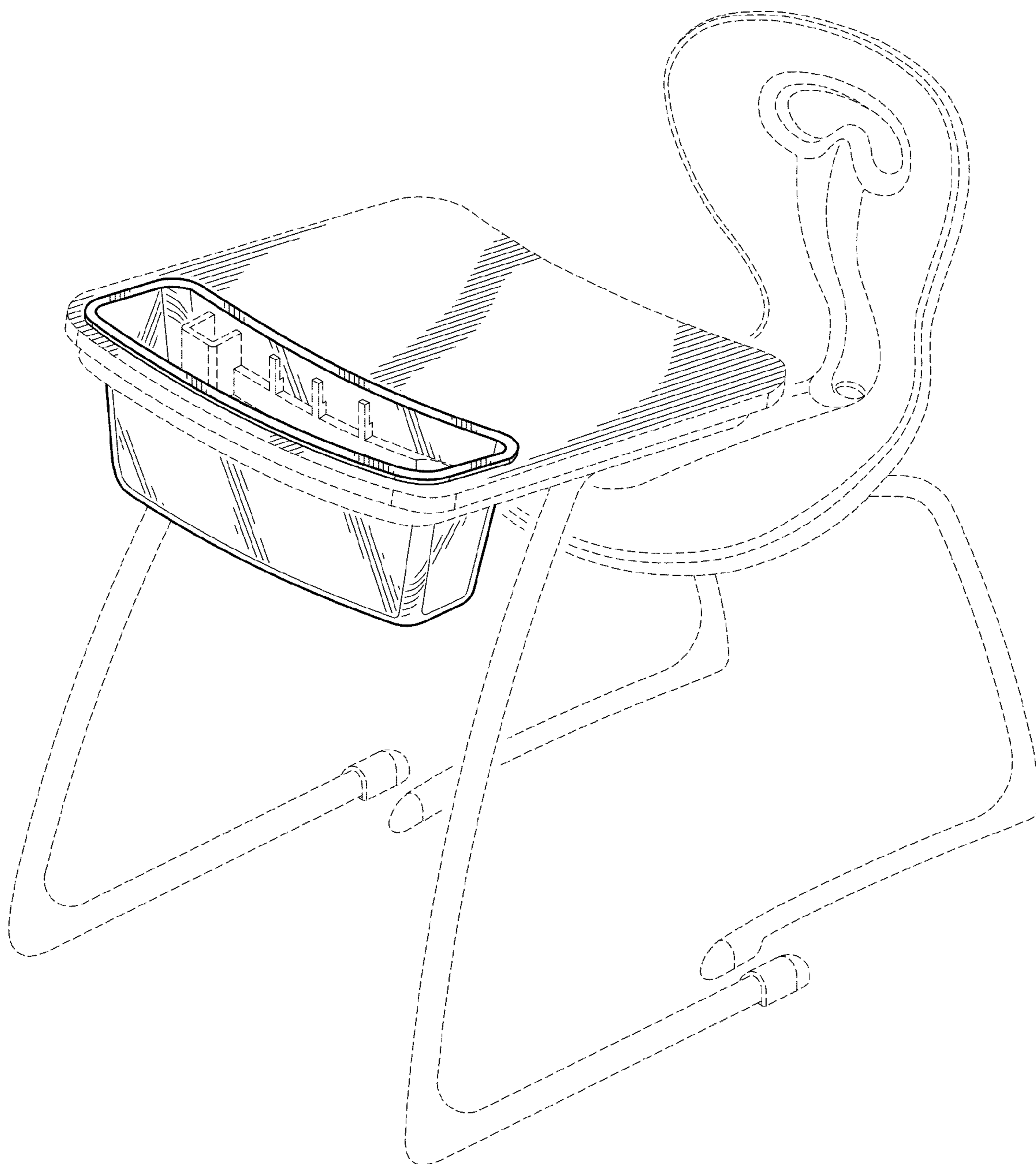


Fig. 10

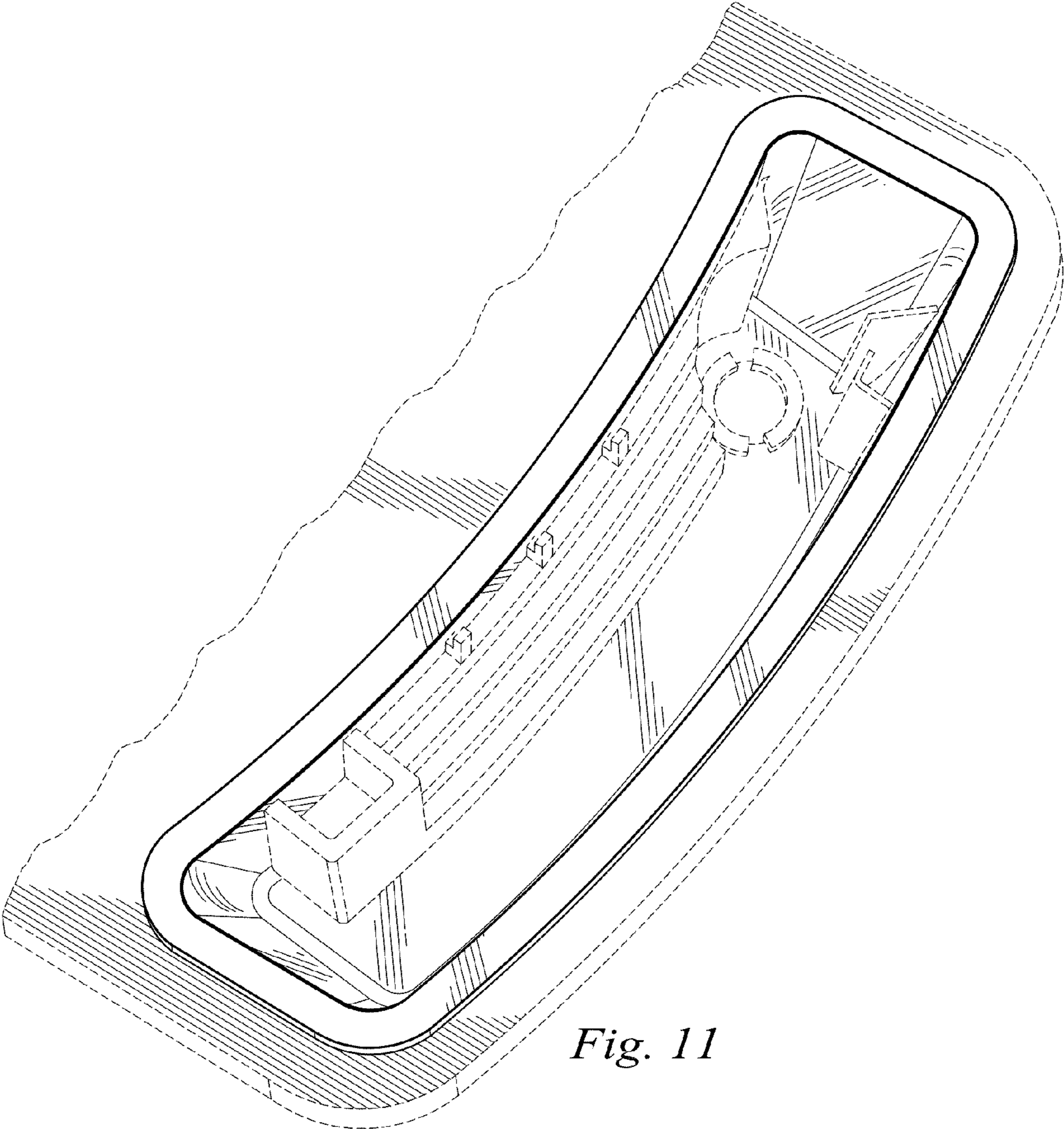


Fig. 11

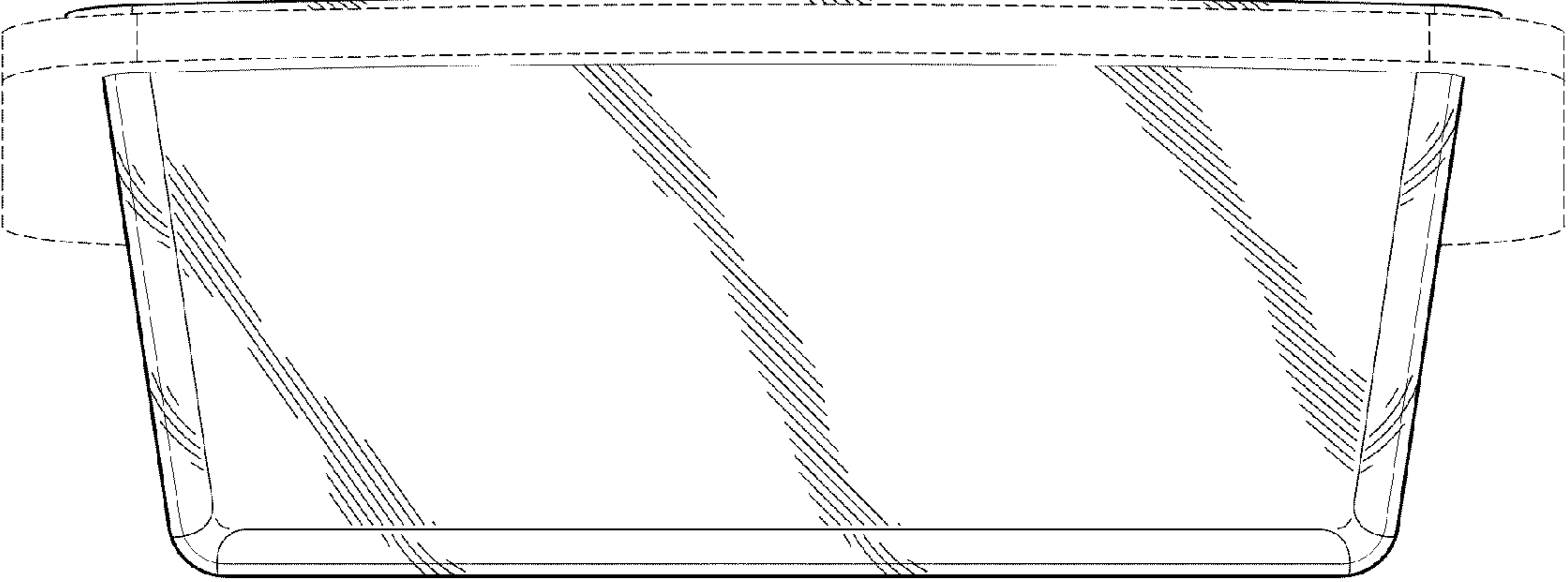


Fig. 12

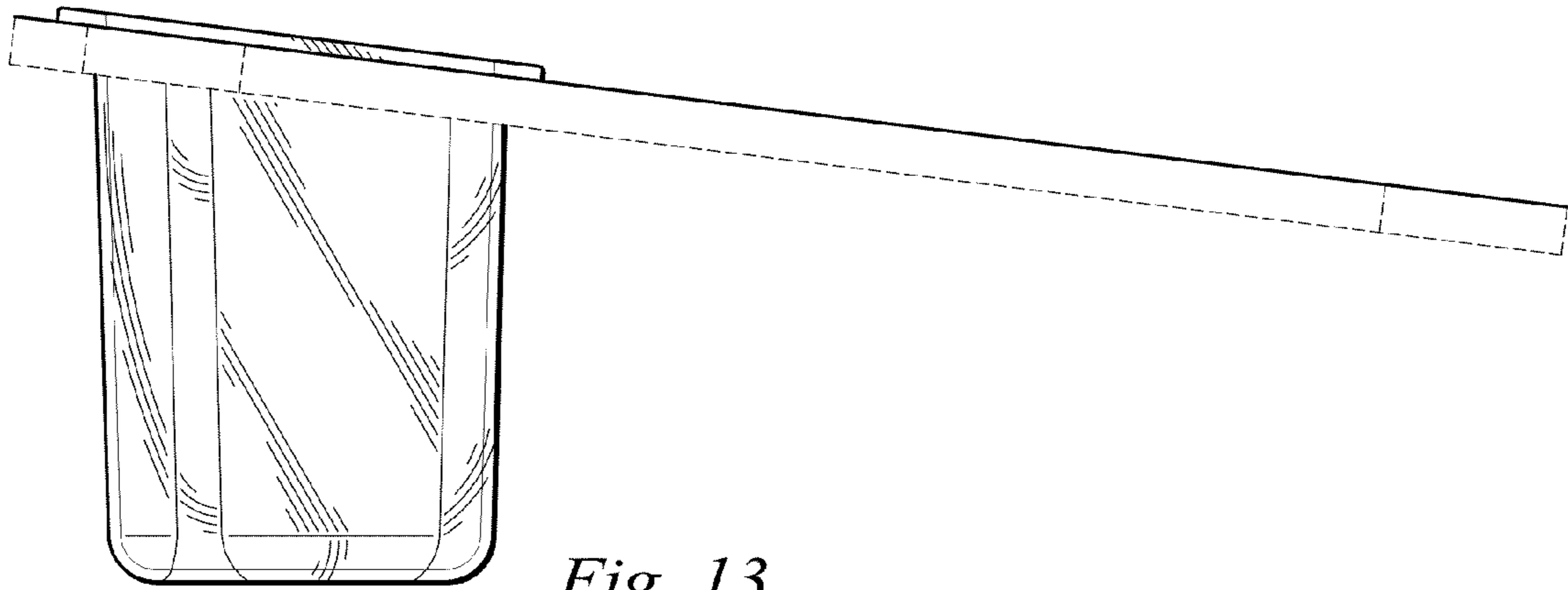


Fig. 13

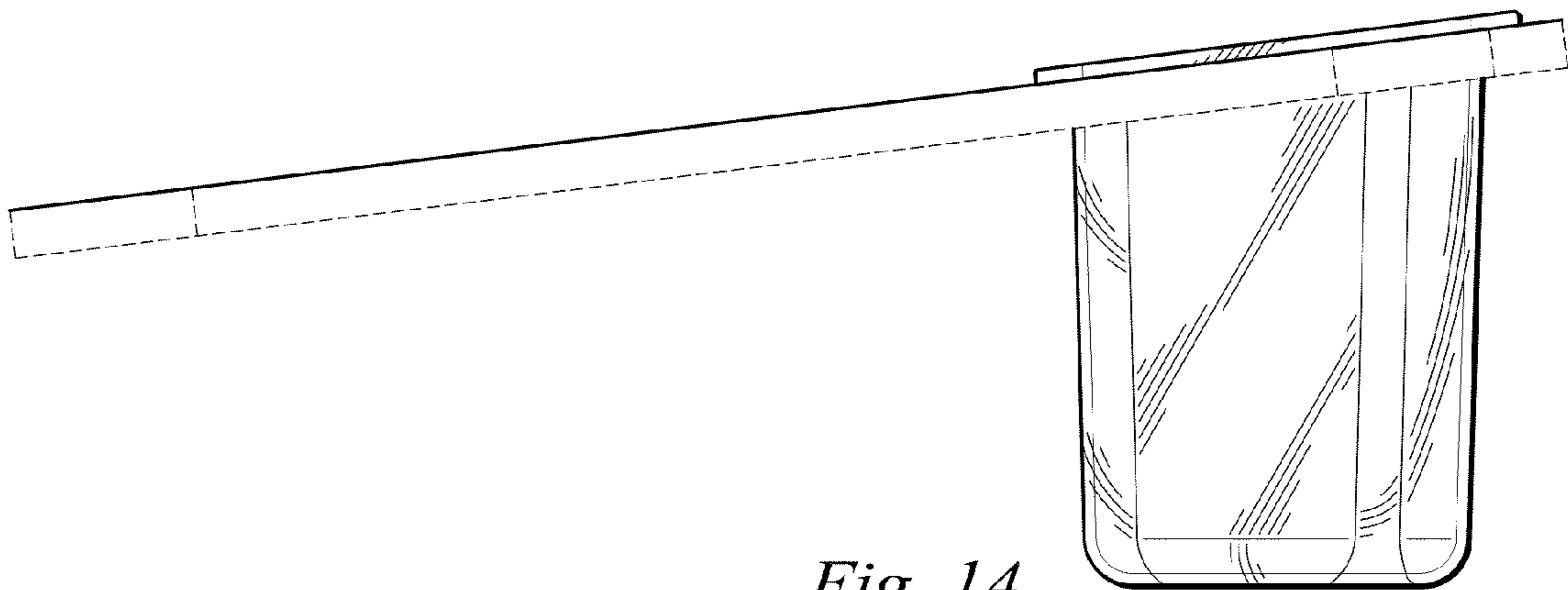


Fig. 14

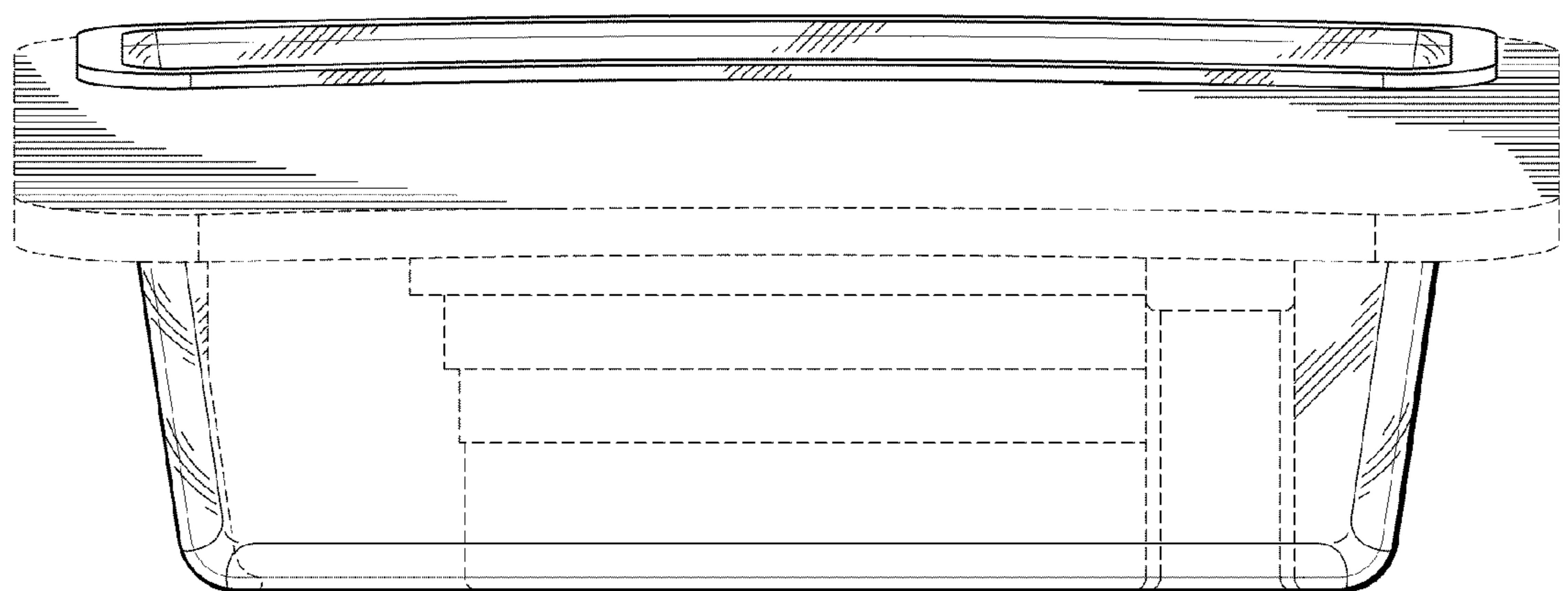


Fig. 15

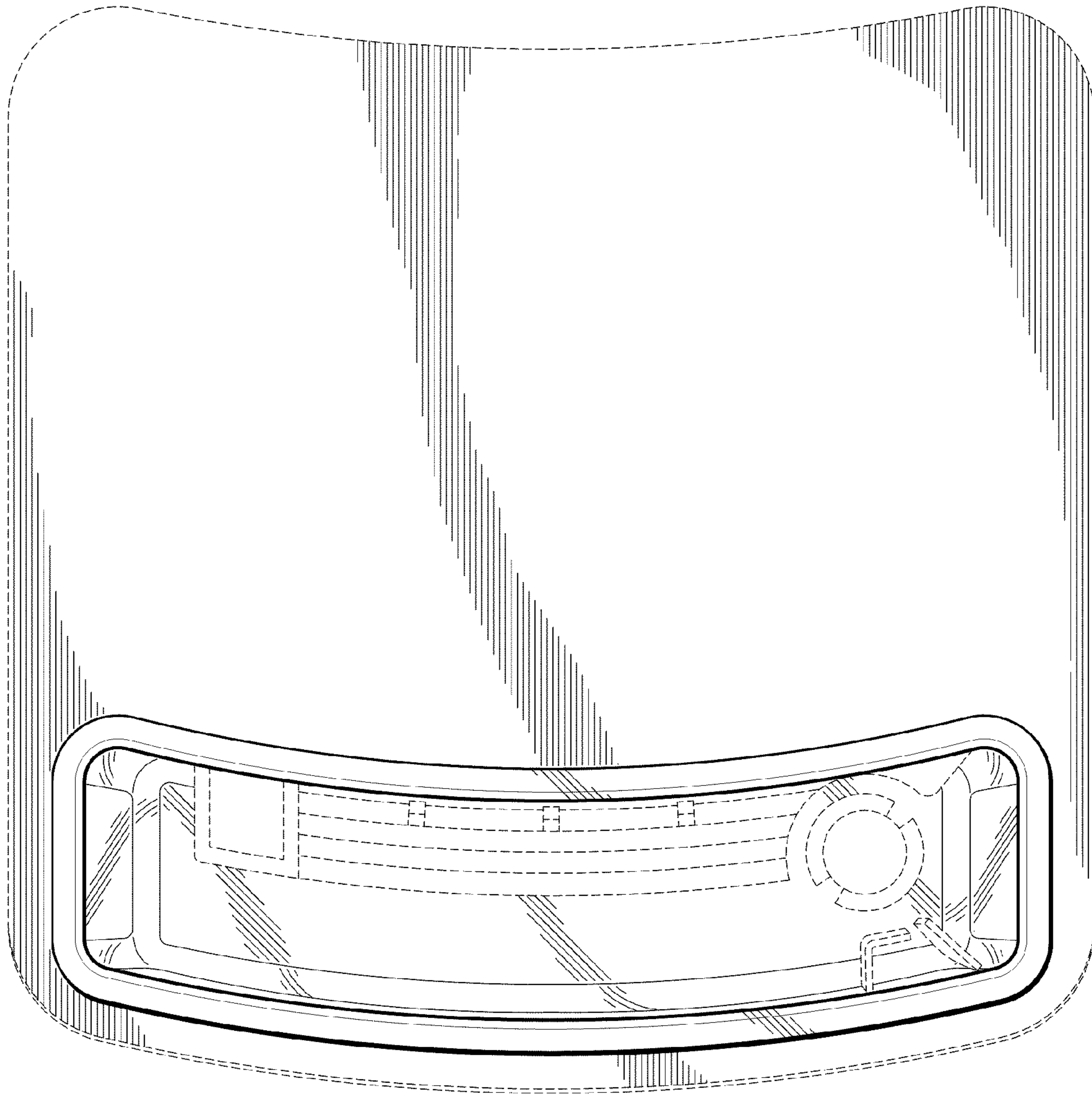


Fig. 16

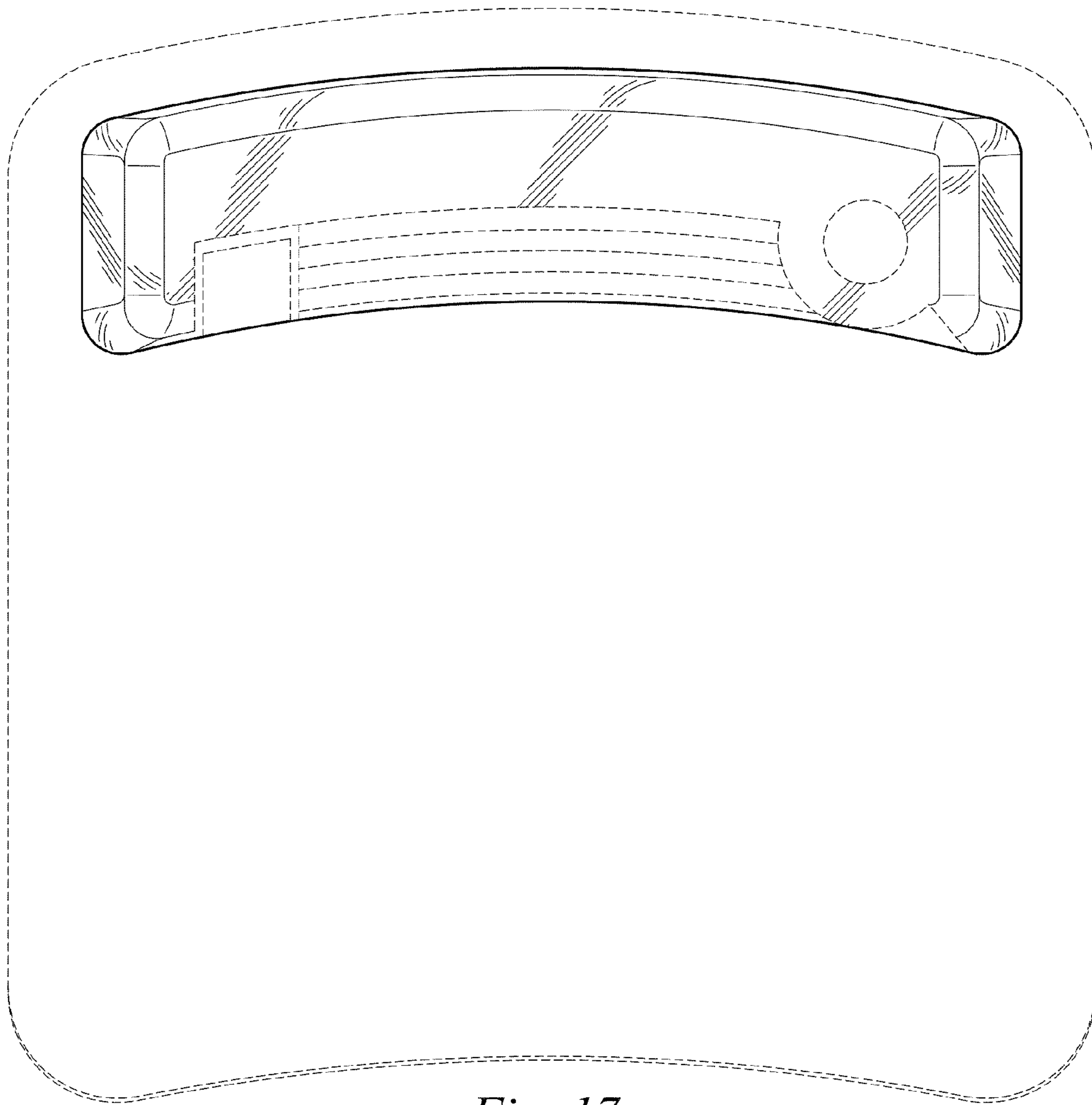


Fig. 17

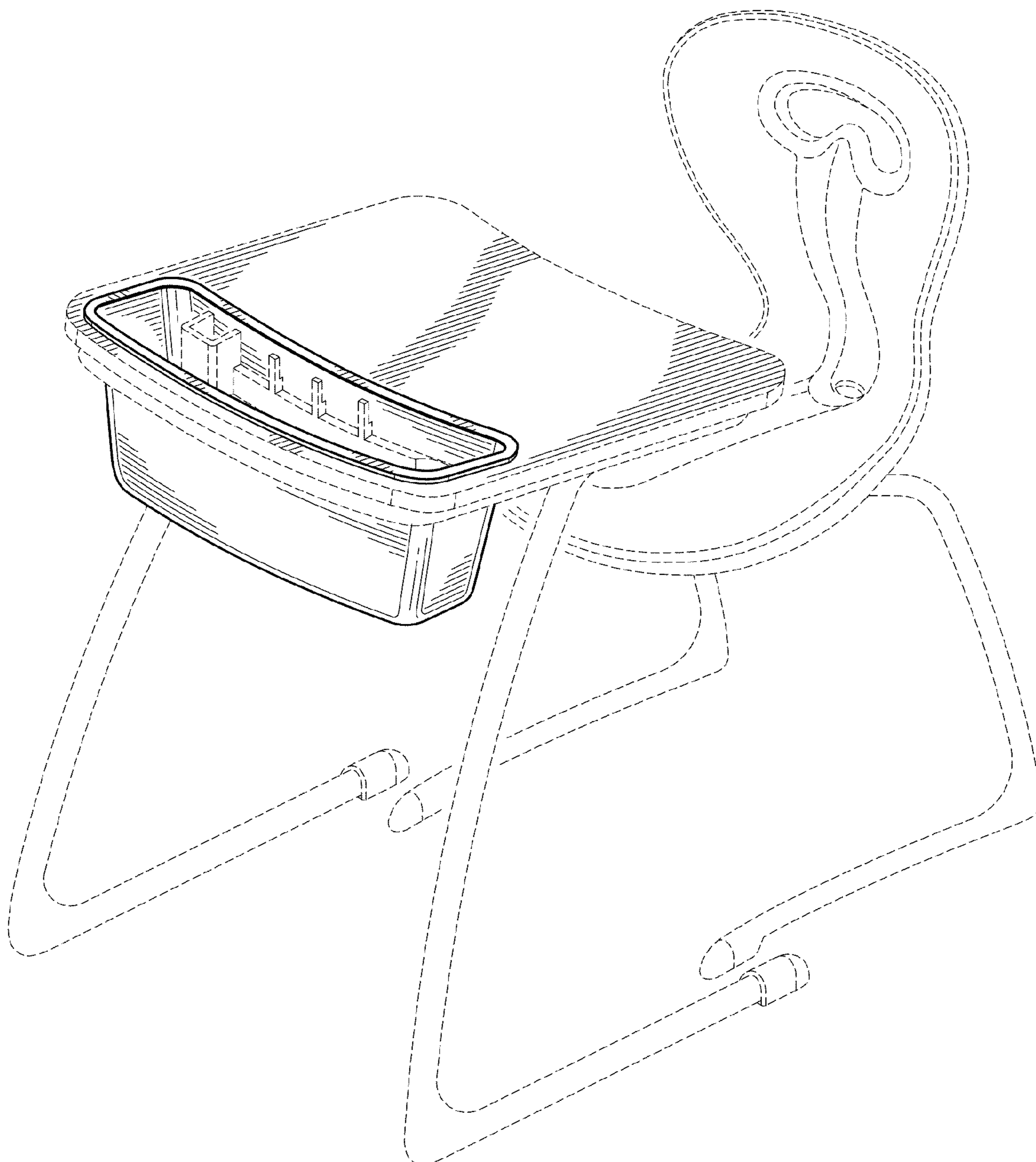


Fig. 18