

US00D644862S

(12) **United States Design Patent**  
**Gaschy**

(10) **Patent No.:** **US D644,862 S**

(45) **Date of Patent:** **\*\* Sep. 13, 2011**

(54) **SEATING UNIT**

(75) Inventor: **Bryony Gaschy**, Oberhausbergen (FR)

(73) Assignee: **Steelcase, Inc.**, Grand Rapids, MI (US)

(\*\*) Term: **14 Years**

(21) Appl. No.: **29/361,695**

(22) Filed: **May 13, 2010**

(51) **LOC (9) Cl.** ..... **06-01**

(52) **U.S. Cl.** ..... **D6/500**

(58) **Field of Classification Search** ..... D6/334-336,  
D6/360-369, 374, 379-380, 498, 500-502;  
297/284.4, 411.27, 452.13, 452.19, 452.21,  
297/452.29, 452.3, 452.56, 452.64

See application file for complete search history.

D335,596 S	5/1993	Wogoman et al.
D336,724 S	6/1993	Wilson
D338,785 S	8/1993	Lange
D344,196 S	2/1994	Snodgrass et al.
D344,418 S	2/1994	Favaretto
D345,259 S	3/1994	Narita
D346,501 S	5/1994	Llusca
D348,787 S	7/1994	Zapf
D349,196 S	8/1994	Lohmeyer
D350,242 S	9/1994	Lohmeyer
D350,653 S	9/1994	Citterio
D351,070 S	10/1994	Scheper et al.
D351,743 S	10/1994	Locher
D353,270 S	12/1994	Locher
D355,081 S	2/1995	Scheper
D355,303 S	2/1995	Scheper et al.
D357,821 S	5/1995	Tedesco
D359,177 S	6/1995	Bartlmae

(Continued)

*Primary Examiner* — Brian N. Vinson

(74) *Attorney, Agent, or Firm* — McDermott Will & Emery LLP

(56) **References Cited**

**U.S. PATENT DOCUMENTS**

D189,293 S	11/1960	Petitt
D230,788 S	3/1974	Petersen
3,847,433 A	11/1974	Acton et al.
D244,812 S	6/1977	Buhk
D250,559 S	12/1978	Petersen
D262,502 S	1/1982	Wilson
D272,967 S	3/1984	Umanoff
D274,579 S	7/1984	Diffrient
D274,675 S	7/1984	Diffrient
D301,810 S	6/1989	Snodgrass
D305,388 S	1/1990	Mascheroni
D309,382 S	7/1990	Buhk
D309,384 S	7/1990	Buhk
D309,385 S	7/1990	Buhk
D309,386 S	7/1990	Buhk
D310,453 S	9/1990	Snodgrass
D322,363 S	12/1991	Narita
5,114,212 A	5/1992	Verney et al.
D327,988 S	7/1992	Citterio
D331,669 S	12/1992	Citterio
D333,739 S	3/1993	Yeh

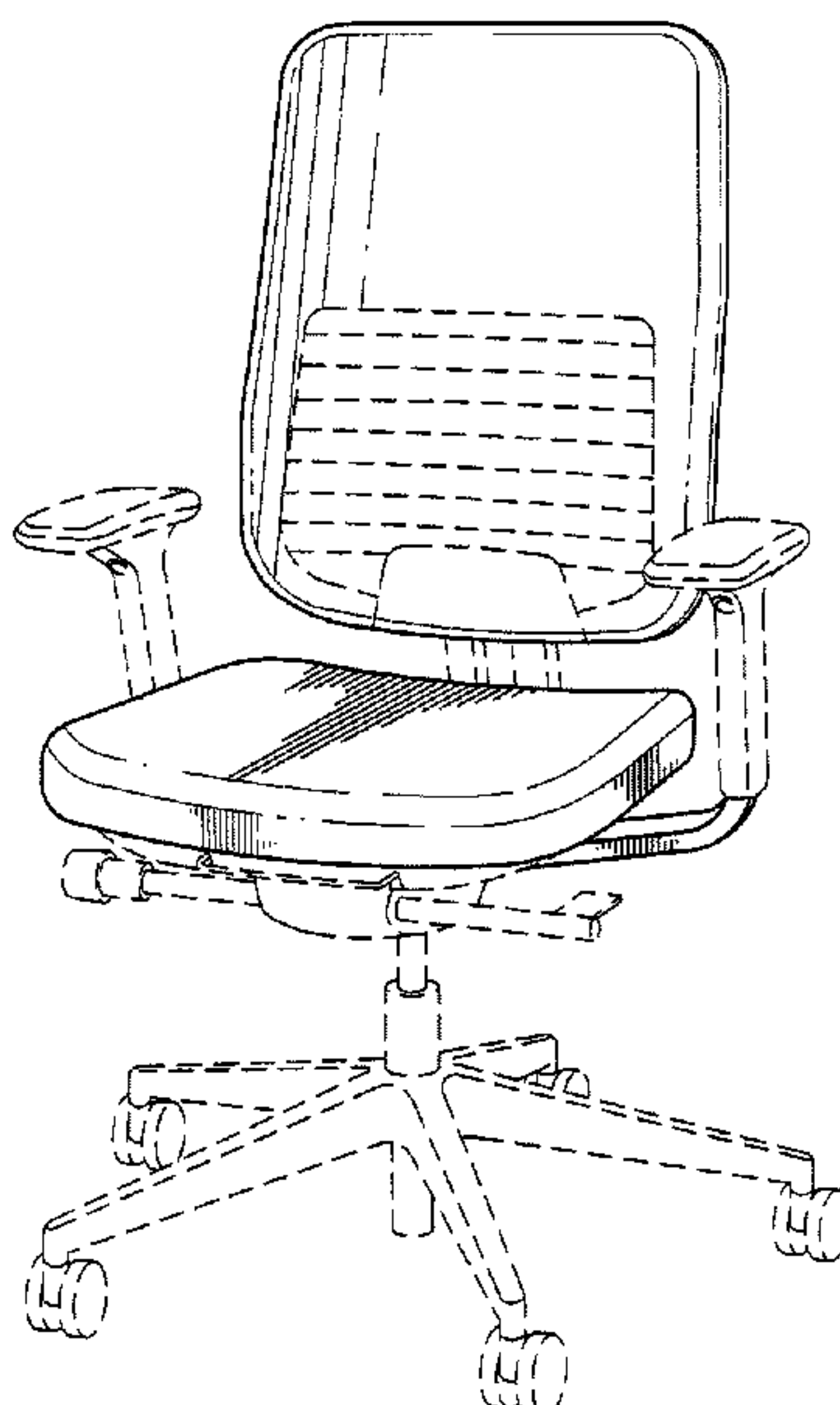
(57) **CLAIM**

I claim the ornamental design for a seating unit, as shown and described.

**DESCRIPTION**

FIG. 1 is a perspective view of a seating unit according to the new design;  
 FIG. 2 is a front view of the seating unit shown in FIG. 1;  
 FIG. 3 is a rear view of the seating unit shown in FIG. 1;  
 FIG. 4 is a top view of the seating unit shown in FIG. 1;  
 FIG. 5 is a bottom view of the seating unit shown in FIG. 1;  
 and,  
 FIG. 6 is a right side view of the seating unit shown in FIG. 1, the opposed left side view being a mirror image thereof.  
 In the drawings, features in broken lines form no part of the claimed design.

**1 Claim, 5 Drawing Sheets**



# US D644,862 S

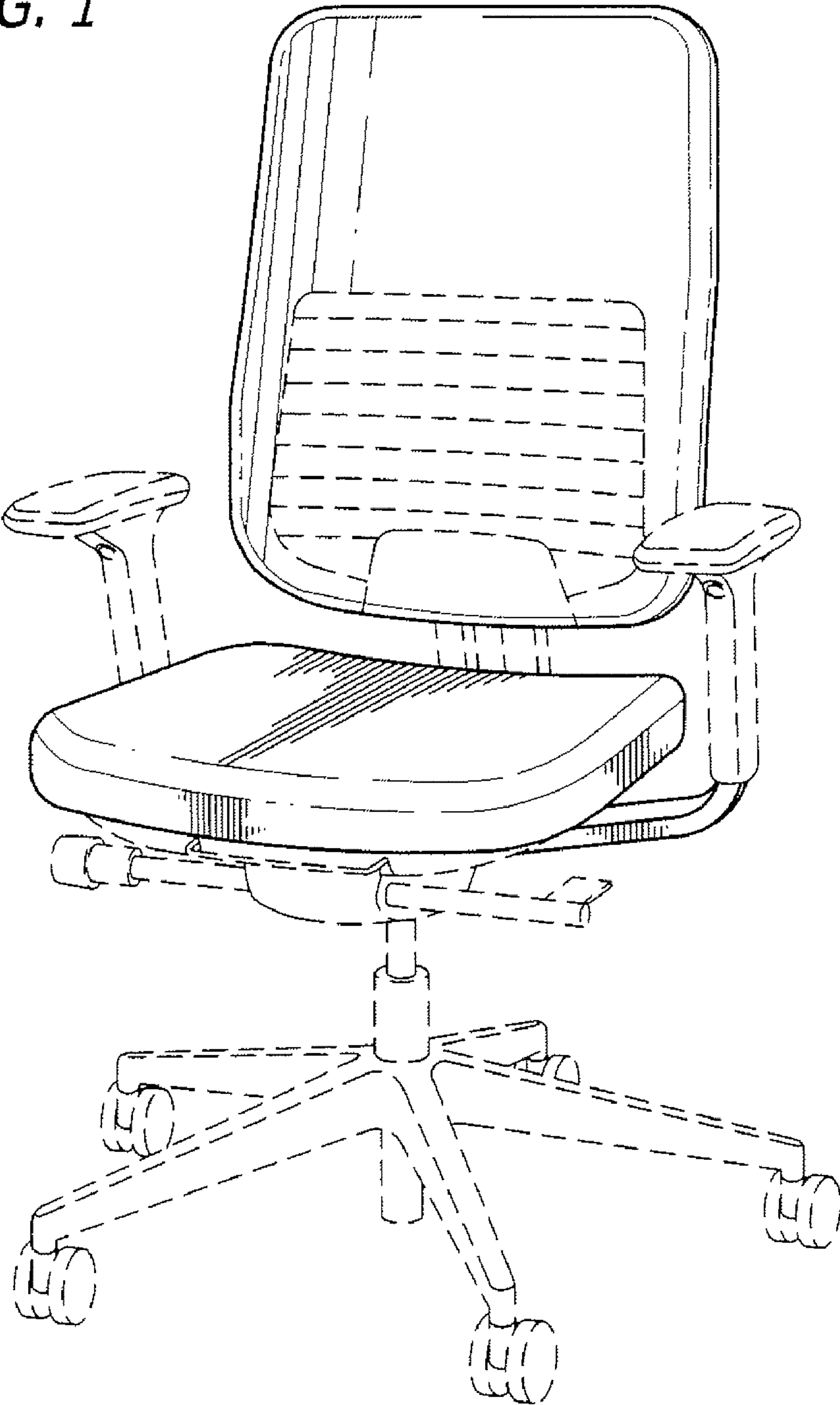
Page 2

## U.S. PATENT DOCUMENTS

D360,539 S	7/1995	Cretcher	
D361,675 S	8/1995	Ruy	
D383,009 S	9/1997	Piretti	
D395,177 S	6/1998	Dammerman et al.	
D395,764 S	7/1998	Dozsa-Farkas	
D397,258 S *	8/1998	Heyder et al. ....	D6/366
D404,586 S	1/1999	Citterio	
D409,409 S	5/1999	Muller	
D411,928 S	7/1999	Ritch et al.	
D414,953 S	10/1999	Goetz	
6,030,037 A	2/2000	Ritch et al.	
D426,970 S	6/2000	Kolberg	
6,070,937 A	6/2000	Ginat	
D435,175 S	12/2000	Chu	
D441,976 S	5/2001	Cramer	
D445,613 S *	7/2001	Ginat .....	D6/500
D449,461 S	10/2001	Cramer	
D449,462 S	10/2001	Muller	
D449,938 S	11/2001	Vanderiet et al.	
D455,571 S	4/2002	Van De Riet et al.	
D456,163 S	4/2002	Englisch	
D456,164 S	4/2002	Vanderiet et al.	
D457,006 S	5/2002	Ooyama	
D467,445 S	12/2002	Saffell et al.	
D471,373 S	3/2003	Starzewski et al.	
D472,745 S	4/2003	Haney et al.	
D474,621 S	5/2003	Pesso	
D475,544 S	6/2003	Chadwick et al.	
D477,469 S *	7/2003	Brooks .....	D6/366
D481,230 S *	10/2003	Piretti et al. ....	D6/500
D481,550 S	11/2003	Astle	
D482,540 S	11/2003	Ashby	
D485,084 S	1/2004	Bales	
D489,911 S	5/2004	Muller	
D498,600 S	11/2004	Koch et al.	
D498,601 S	11/2004	Olson et al.	
D498,940 S	11/2004	Getzel	
D502,331 S	3/2005	Socha, Jr. et al.	
D507,437 S *	7/2005	Klaasen et al. ....	D6/500
D508,792 S	8/2005	Dorigo	
D512,238 S	12/2005	Chen	
D512,574 S *	12/2005	Tsai .....	D6/366
D512,846 S	12/2005	Goodworth	
D515,855 S *	2/2006	Goodworth .....	D6/500
D516,329 S	3/2006	Baeriswyl	
D517,820 S *	3/2006	Citterio .....	D6/366
D517,828 S	3/2006	Magnani et al.	
D522,266 S	6/2006	Bongaerts	
D526,145 S	8/2006	Kita	
D526,146 S	8/2006	Kita	
D527,931 S	9/2006	Kita	
D541,067 S	4/2007	Lin	
D543,374 S	5/2007	Huerlimann	
D544,234 S	6/2007	Olano	
D546,089 S	7/2007	Ebenestelli	
D546,594 S *	7/2007	Kane et al. ....	D6/500
D547,963 S	8/2007	Olano	
D549,479 S	8/2007	Su	
D550,977 S	9/2007	Igarashi	
D551,881 S *	10/2007	True .....	D6/500
D552,856 S	10/2007	Chan	
D553,377 S	10/2007	Chan	
D555,924 S	11/2007	Igarashi	
D555,928 S	11/2007	Pensi	
D558,480 S	1/2008	Olano Jauregui	
D563,698 S	3/2008	Petrucelli	
D569,644 S	5/2008	Kumazawa	
D572,496 S	7/2008	Rizzi	
D572,927 S	7/2008	Bernett et al.	
D573,378 S	7/2008	Petrucelli	
D575,537 S	8/2008	Petrucelli	
D575,541 S	8/2008	Hayes	
D578,789 S	10/2008	Ciani et al.	
D579,225 S	10/2008	Citterio	
D579,226 S	10/2008	Pinaffo et al.	
D581,180 S	11/2008	Chi	
7,452,035 B2	11/2008	Astle et al.	
D581,689 S	12/2008	Marini	
D582,693 S	12/2008	da Costa	
D585,658 S	2/2009	Dauphin	
D589,276 S	3/2009	Dauphin	
D590,616 S	4/2009	Benn	
D590,617 S	4/2009	Benn	
D591,968 S	5/2009	Pinaffo et al.	
D601,372 S *	10/2009	Kim .....	D6/502

\* cited by examiner

*FIG. 1*





*FIG. 2*

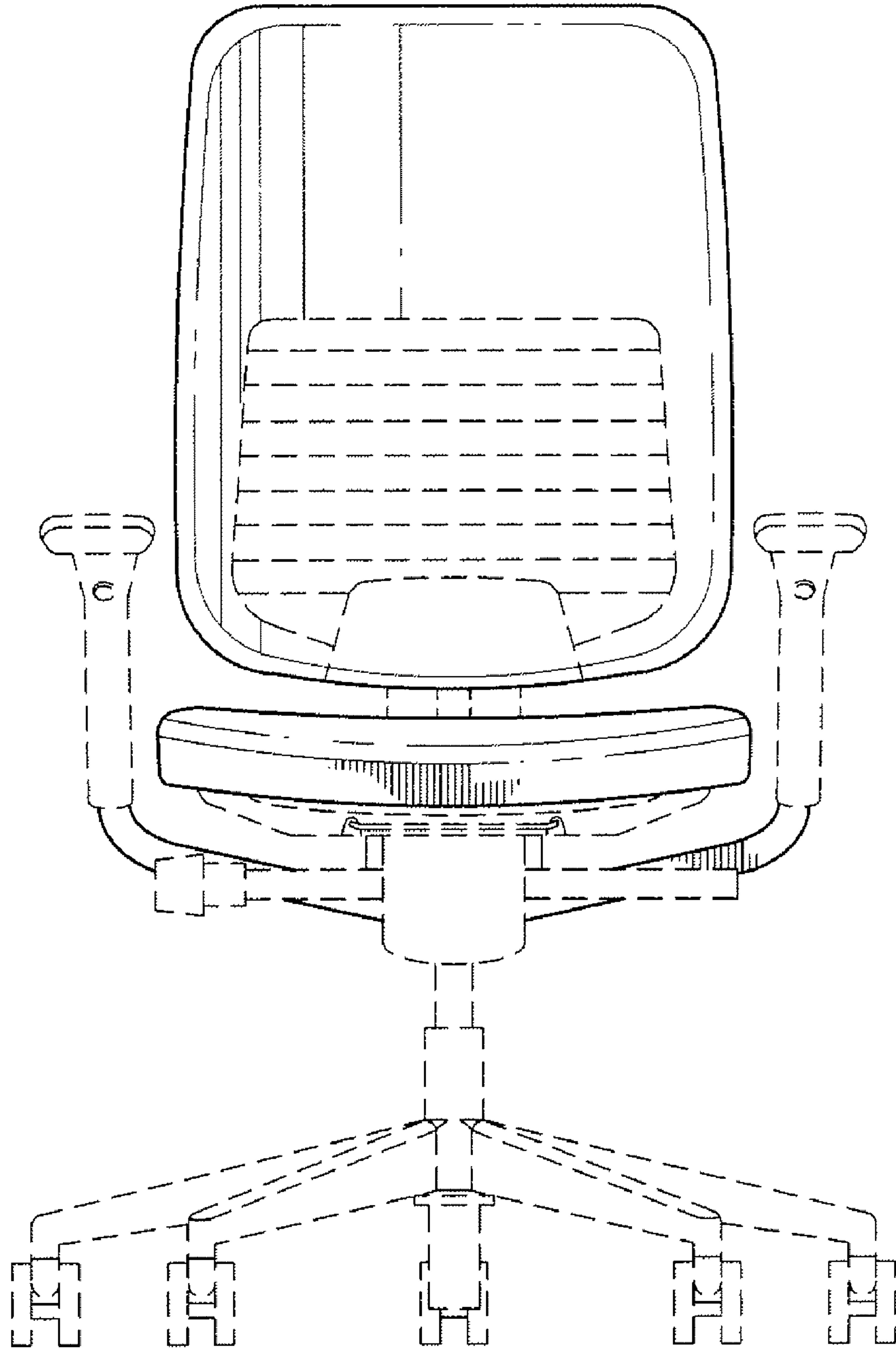
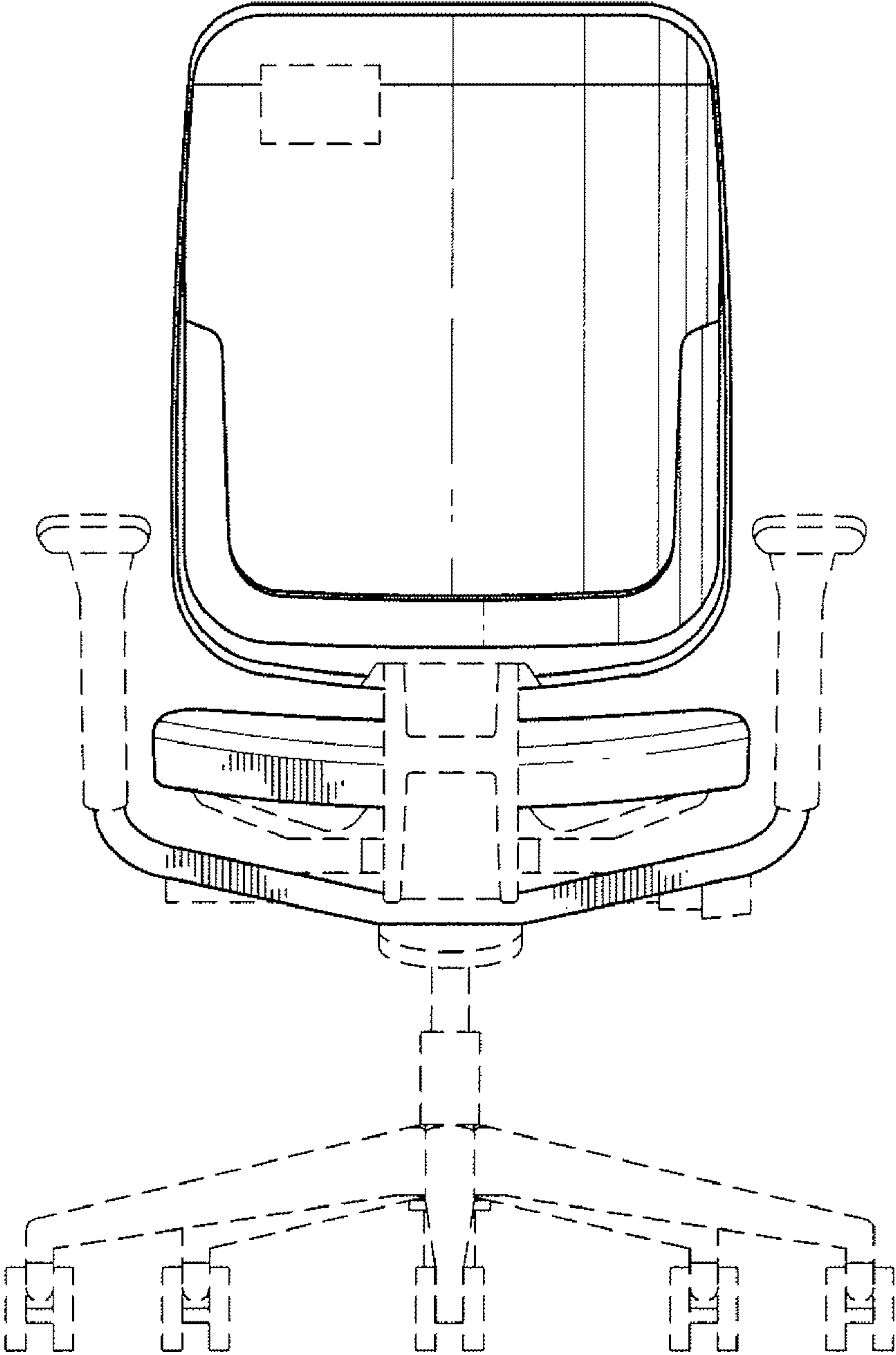
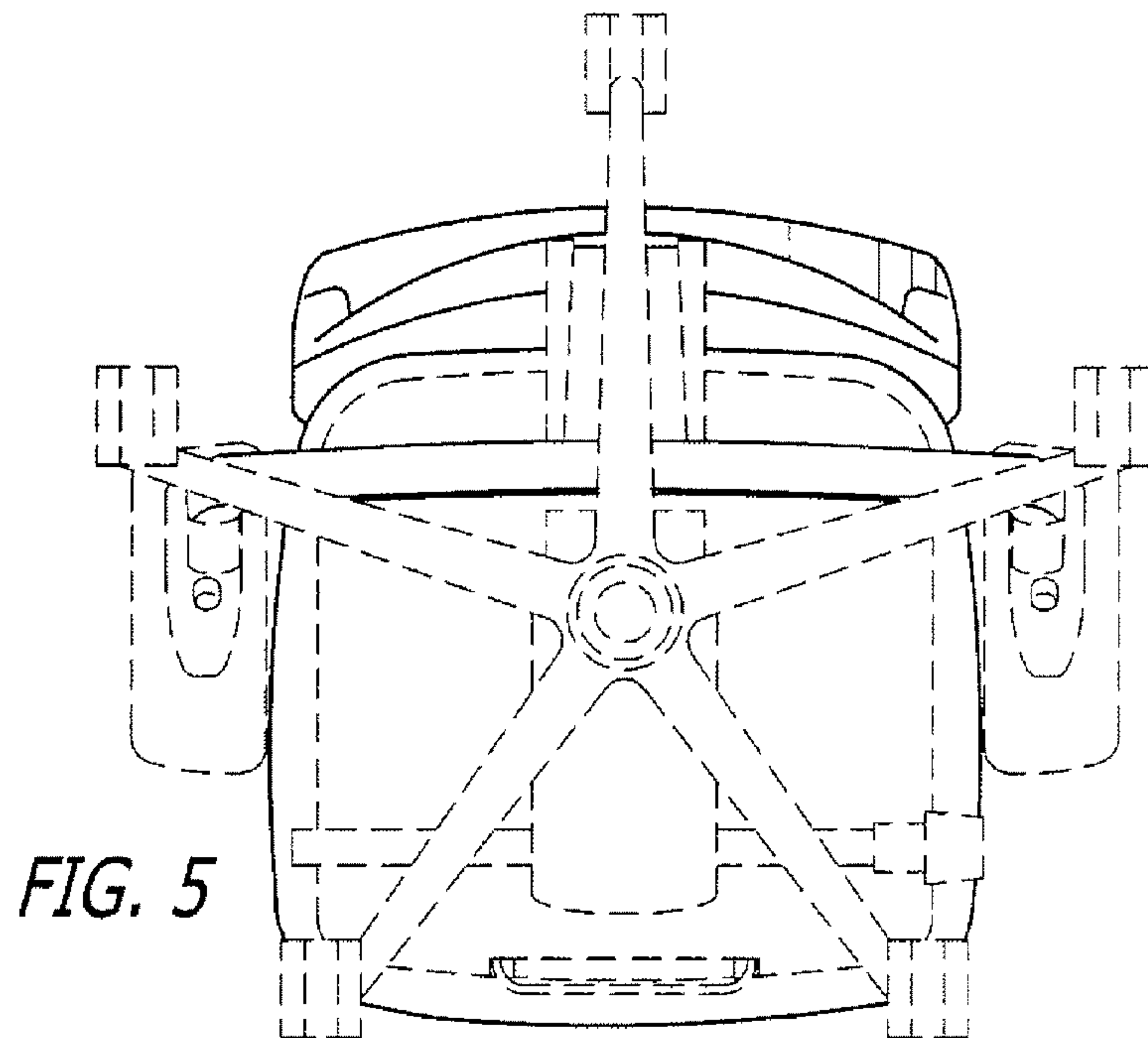
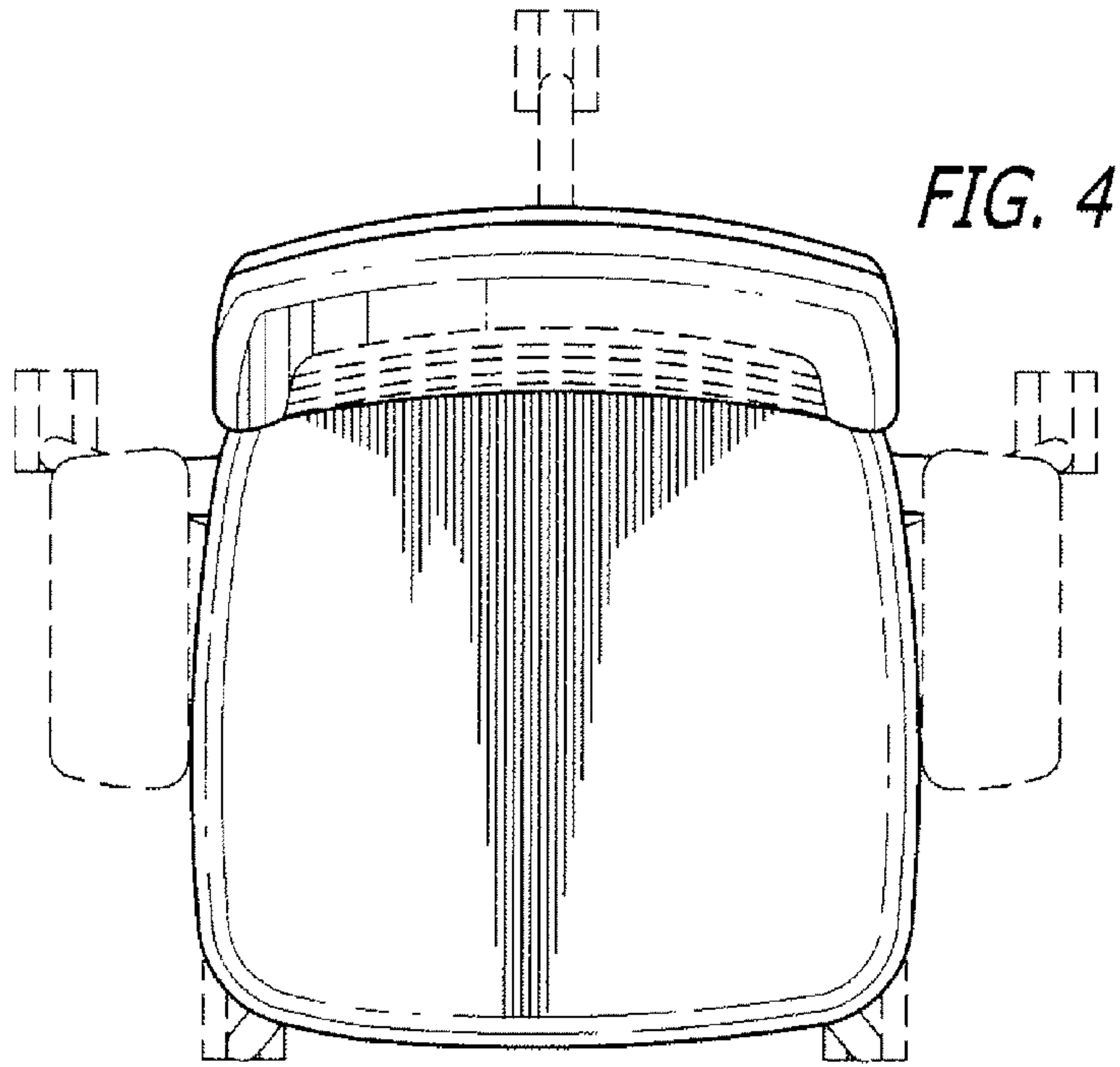


FIG. 3





*FIG. 6*

