



US00D644861S

(12) **United States Design Patent**
Osborne

(10) **Patent No.:** **US D644,861 S**

(45) **Date of Patent:** **** Sep. 13, 2011**

(54) **ISLAND LEG**

(76) Inventor: **Leon A. Osborne**, Toccoa, GA (US)

(**) Term: **14 Years**

(21) Appl. No.: **29/369,972**

(22) Filed: **Sep. 16, 2010**

(51) **LOC (9) Cl.** **06-06**

(52) **U.S. Cl.** **D6/495**

(58) **Field of Classification Search** D6/480-489,
D6/495-499, 450-451, 379; 108/150, 153.1,
108/155, 156, 161; 248/188, 188.1, 188.8
See application file for complete search history.

(56) **References Cited**

U.S. PATENT DOCUMENTS

D355,800 S * 2/1995 Ward D6/484
D513,676 S * 1/2006 Vaaler D6/480

D519,741 S * 5/2006 Katz et al. D6/370
D547,561 S * 7/2007 Thompson D6/370
D564,782 S * 3/2008 Thompson D6/430

* cited by examiner

Primary Examiner — Janice Seeger

(74) *Attorney, Agent, or Firm* — George R. Reardon

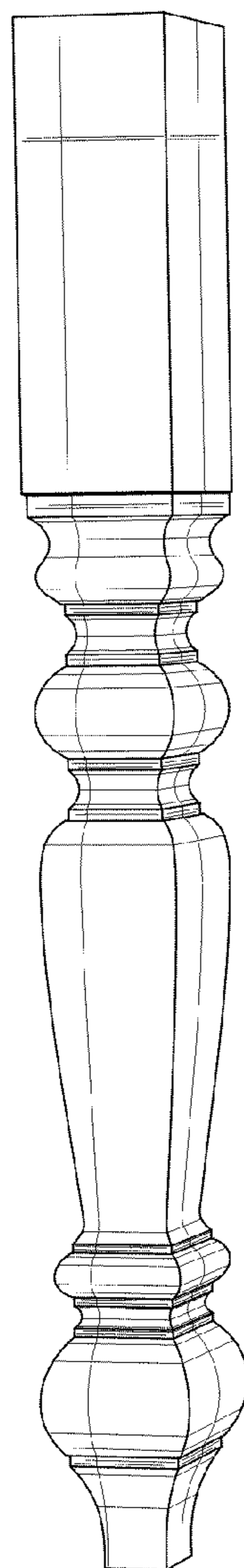
(57) **CLAIM**

The ornamental design for an island leg, as shown.

DESCRIPTION

FIG. 1 is a perspective view of an island leg, showing my new design;
FIG. 2 is a front plan view of an island leg;
FIG. 3 is an exploded view of an island leg;
FIG. 4 is a top plan view of an island leg;
FIG. 5 is a bottom plan view of an island leg; and,
FIG. 6 is a cross sectional view of FIG. 2.

1 Claim, 6 Drawing Sheets



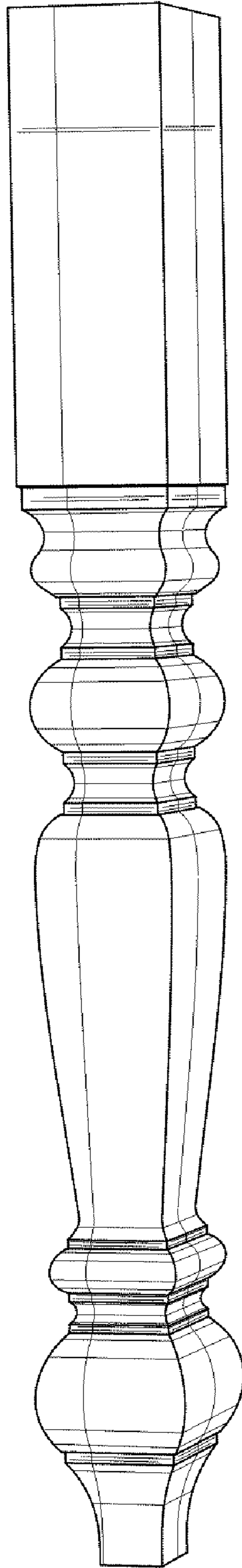


FIG. 1

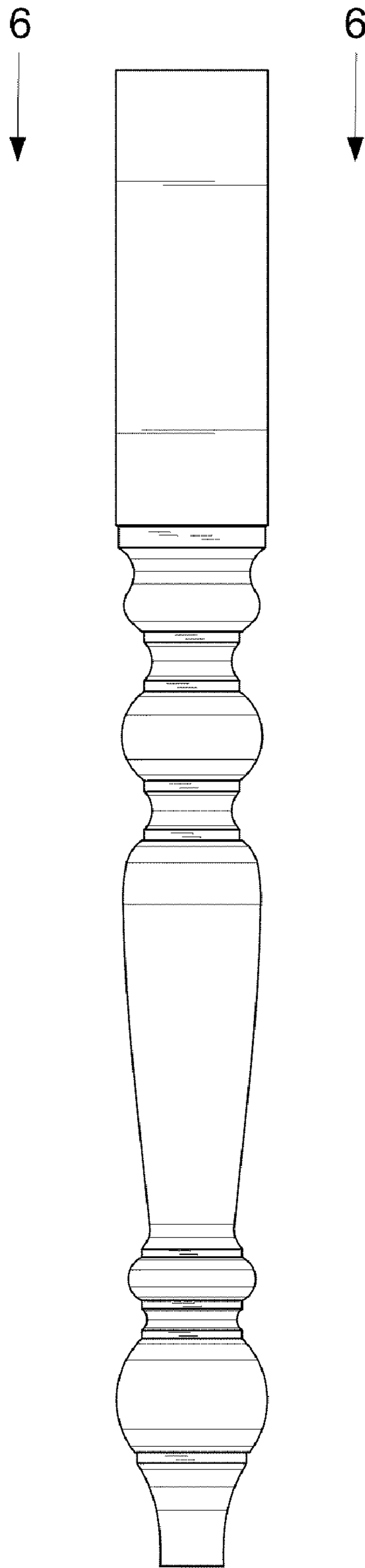


FIG. 2

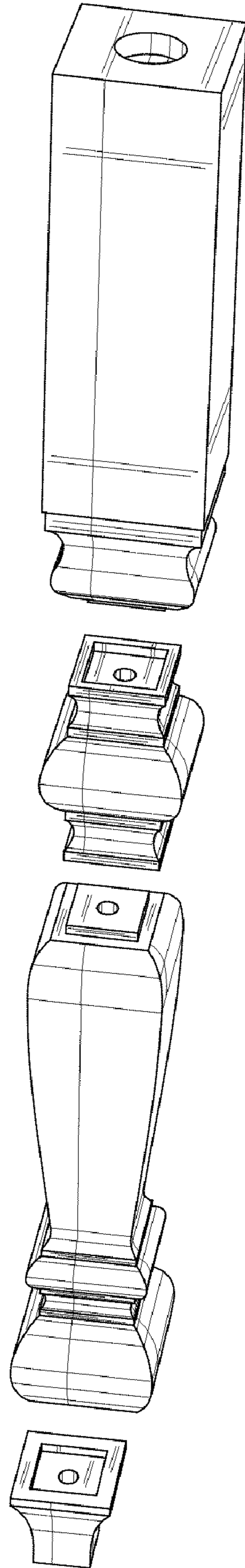


FIG. 3

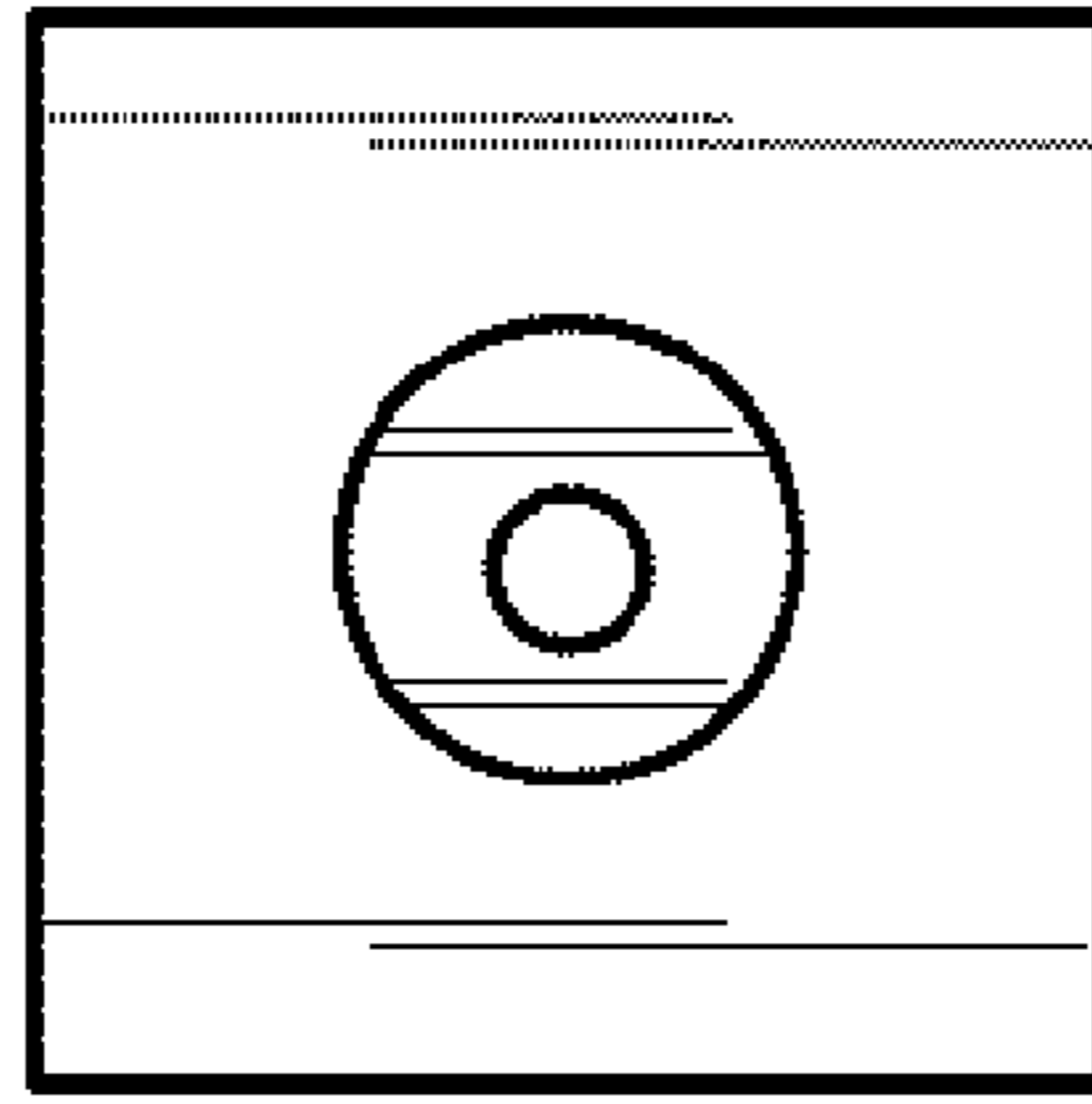


FIG. 4

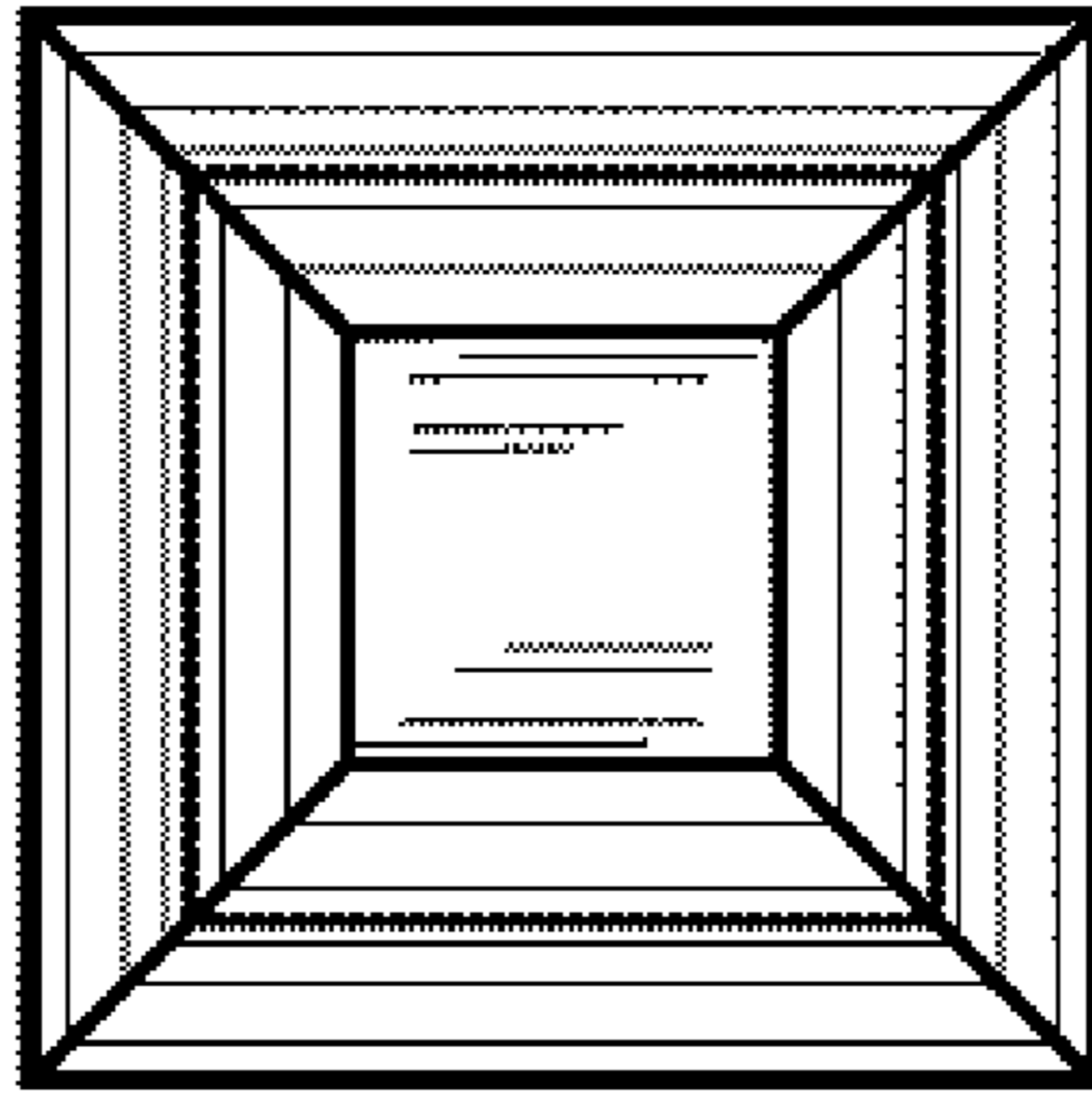


FIG. 5

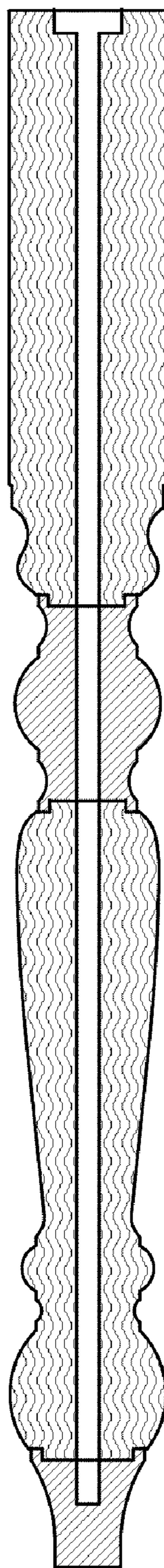


FIG. 6