



US00D644859S

(12) **United States Design Patent**  
**Buckles et al.**

(10) **Patent No.:** **US D644,859 S**  
(45) **Date of Patent:** **\*\* Sep. 13, 2011**

(54) **GEL PACK FOR A COOLER**  
(75) Inventors: **John Buckles**, Chicago, IL (US); **Daniel Noe**, Frisco, TX (US); **Gregory Butz**, Glenview, IL (US); **Shereen Besselle**, Bronx, NY (US); **Adam Harter**, Danbury, CT (US); **Emad Jafa**, Brewster, NY (US)

(73) Assignee: **PepsiCo, Inc.**, Purchase, NY (US)

(\*\*) Term: **14 Years**

(21) Appl. No.: **29/378,871**

(22) Filed: **Nov. 10, 2010**

**Related U.S. Application Data**

(62) Division of application No. 29/332,407, filed on Feb. 13, 2009, now Pat. No. Des. 635,795.

(51) **LOC (9) Cl.** ..... **06-04**

(52) **U.S. Cl.** ..... **D6/491; D7/605**

(58) **Field of Classification Search** ..... D6/491;  
62/57.2, 530; D15/90, 89; D7/605-608;  
206/209.1, 508; 224/414  
See application file for complete search history.

(56) **References Cited**

**U.S. PATENT DOCUMENTS**

401,829 A	4/1889	Hall
855,565 A	6/1907	Greenhouse
1,581,749 A	4/1926	Mahony
1,813,190 A	7/1931	Morin
2,384,156 A	9/1945	Burdette
2,501,772 A	3/1950	Guard
2,740,546 A	4/1956	Kowalski
2,988,333 A	6/1961	Mesic
3,352,427 A	11/1967	Lawrence et al.
3,401,535 A	9/1968	Palmer
3,605,435 A	9/1971	Taylor
3,848,766 A	11/1974	Ganti et al.
D240,888 S	8/1976	Roussel

4,011,954 A	3/1977	Galli
4,266,407 A	5/1981	Gibson
4,286,440 A	9/1981	Taylor
4,311,022 A *	1/1982	Hall ..... 62/457.2
D266,183 S	9/1982	Snow
4,656,840 A *	4/1987	Loofbourrow et al. .... 62/530
D289,597 S	5/1987	Averitt
4,747,274 A	5/1988	Duemmig-Zitzmann
4,775,055 A	10/1988	Morse
4,899,553 A	2/1990	Drummond, III
D307,997 S	5/1990	Bernstein
5,095,718 A	3/1992	Ormond et al.
5,101,642 A	4/1992	Alexandrov
D330,513 S	10/1992	Gilchrist
D332,664 S	1/1993	Sincock
5,181,394 A	1/1993	Schea, III et al.
D336,595 S *	6/1993	Jones ..... D15/90
5,215,208 A	6/1993	Jackson
5,277,328 A	1/1994	Tocco
5,350,081 A	9/1994	Graham

(Continued)

*Primary Examiner* — Philip S Hyder

*Assistant Examiner* — Sydney Buffalow

(74) *Attorney, Agent, or Firm* — Banner & Witcoff, Ltd.

(57) **CLAIM**

The ornamental design for a gel pack for a cooler, as shown and described.

**DESCRIPTION**

FIG. 1 is a front, right perspective view of a gel pack for a cooler showing our new design;

FIG. 2 is a top view thereof;

FIG. 3 is a front view thereof;

FIG. 4 is a left side view thereof;

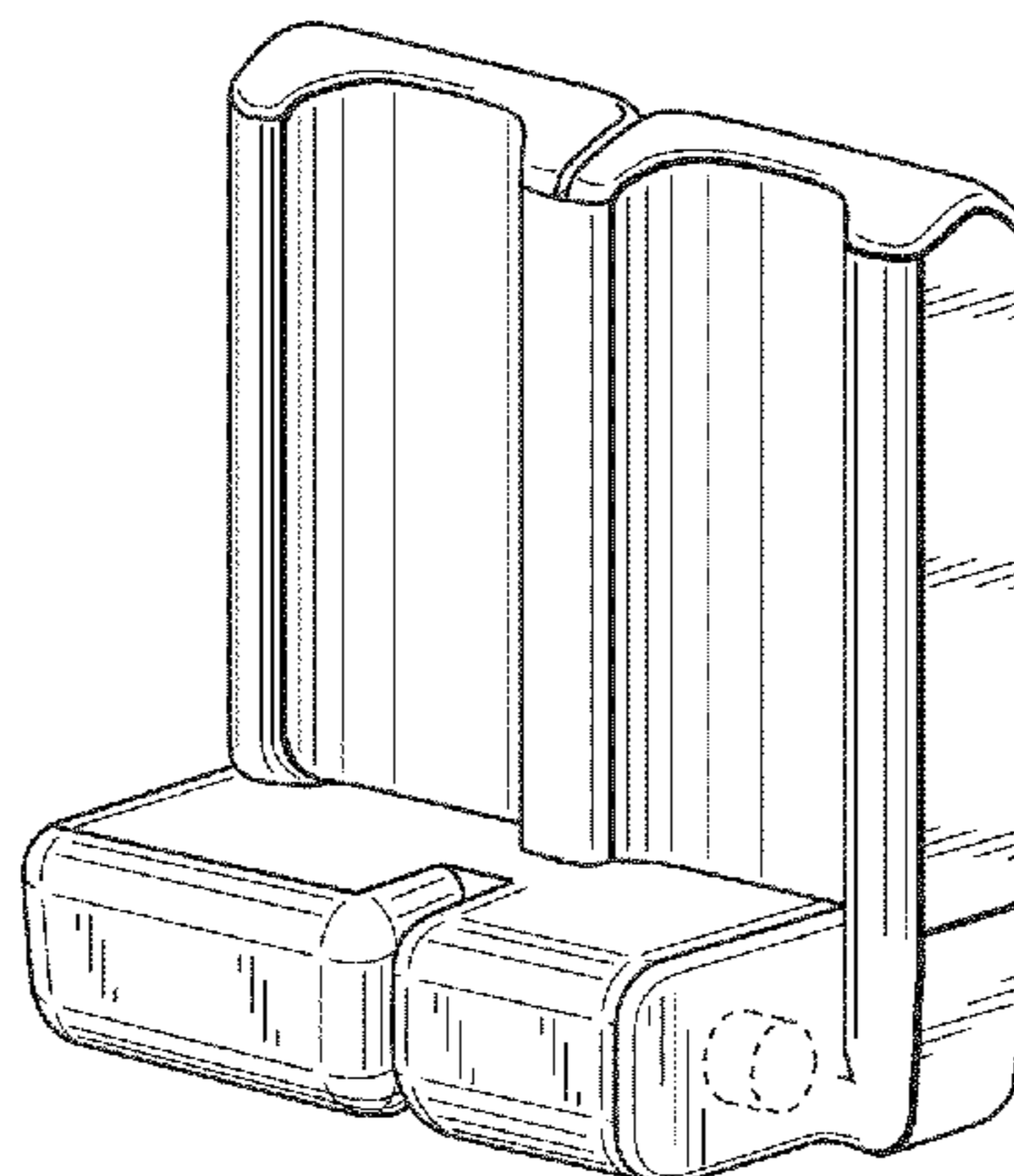
FIG. 5 is a right side view thereof;

FIG. 6 is a rear view thereof; and,

FIG. 7 is a bottom view thereof.

The broken lines shown in the drawings are directed to unclaimed portions of the design, are for informational purposes only, and form no part of the claimed design.

**1 Claim, 3 Drawing Sheets**



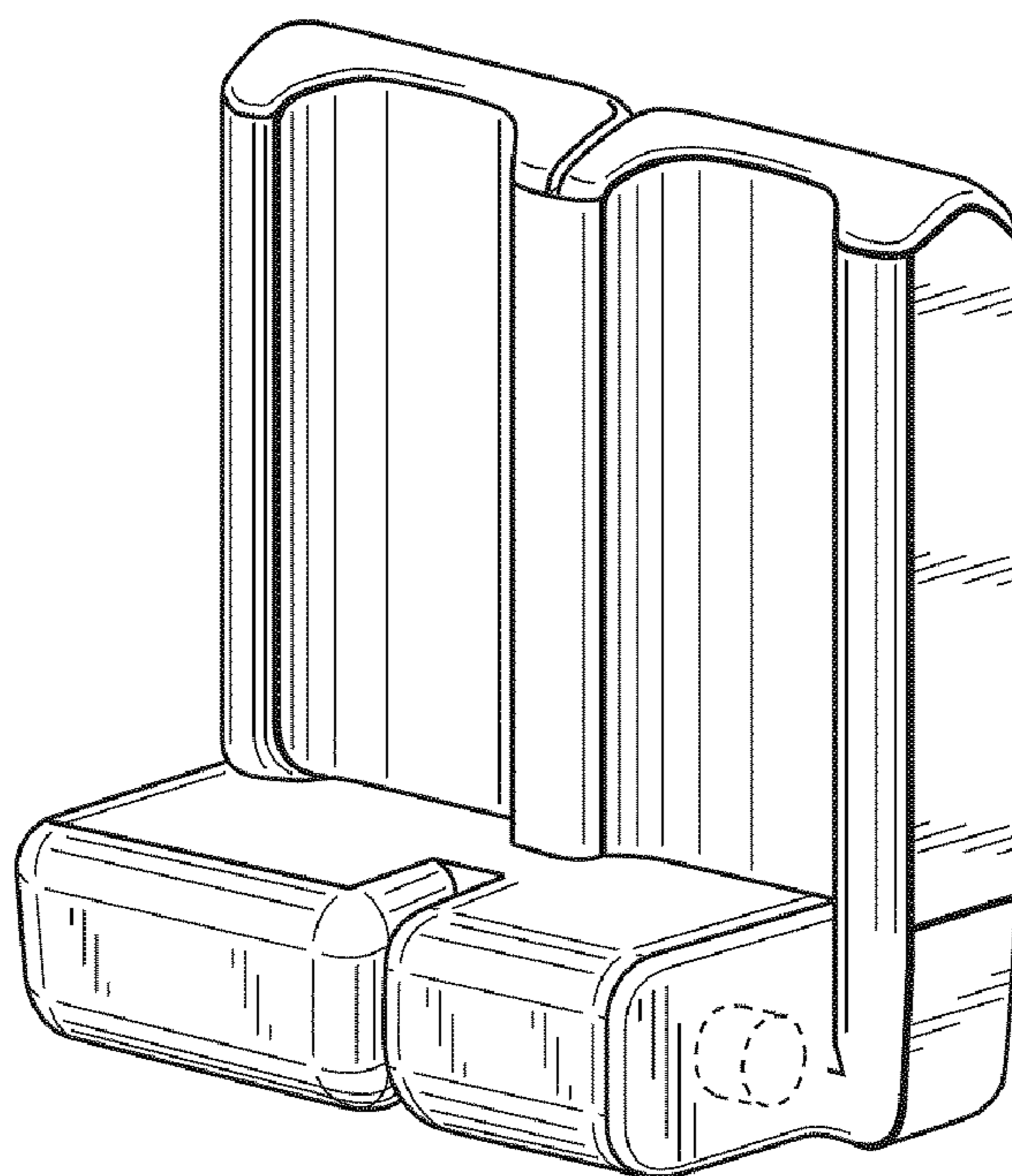
# US D644,859 S

Page 2

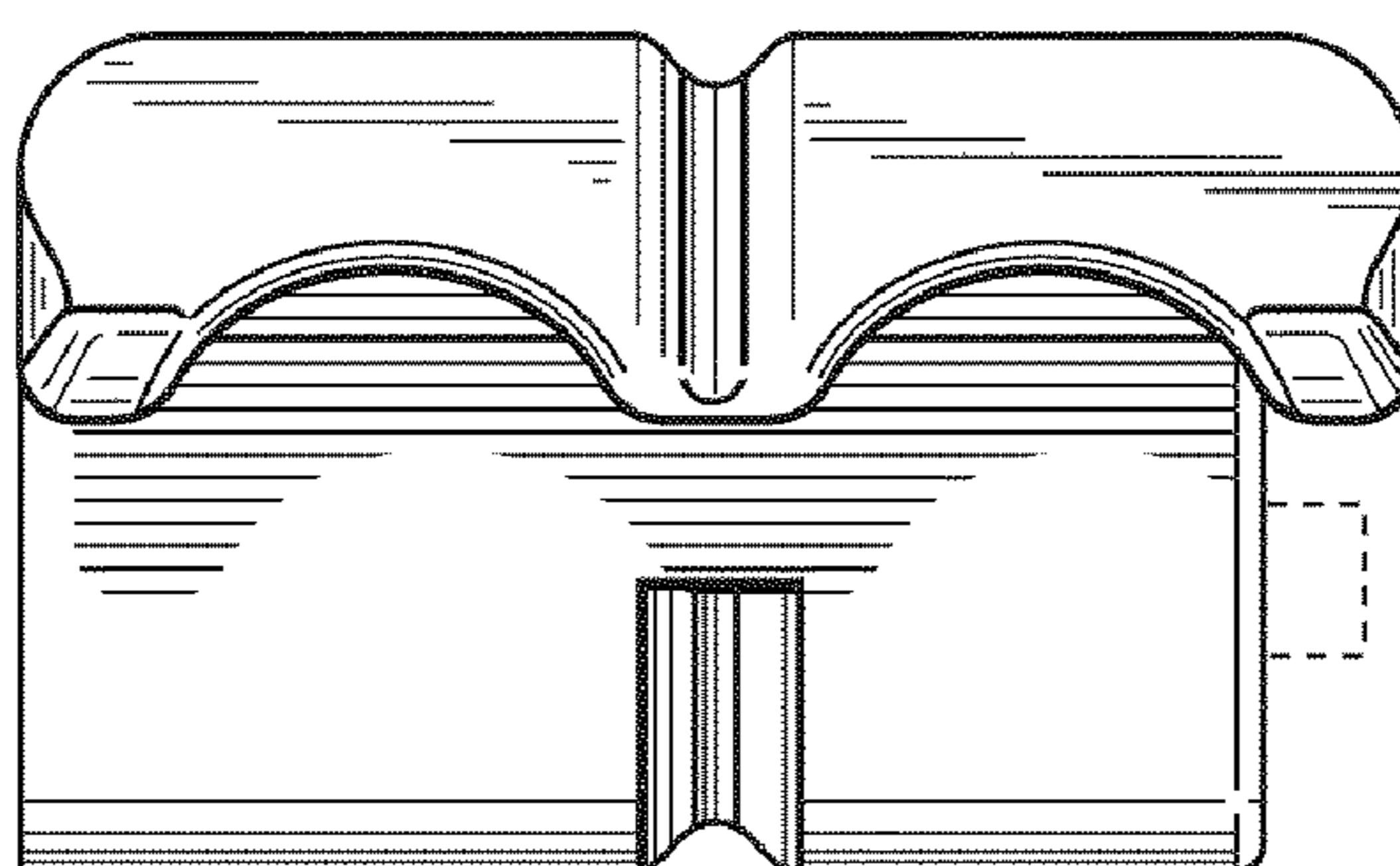
## U.S. PATENT DOCUMENTS

D351,532	S *	10/1994	Wolfenden .....	D7/605	
5,375,716	A	12/1994	Rubin et al.		
5,448,844	A	9/1995	Miller, Jr. et al.		
D369,415	S	4/1996	Boulton et al.		
5,509,279	A	4/1996	Brown et al.		
5,522,239	A	6/1996	Schwartz et al.		
5,546,818	A	8/1996	Keefer		
5,564,288	A	10/1996	Lewis		
5,641,080	A	6/1997	Humphrey et al.		
5,689,970	A	11/1997	Chopas		
5,758,513	A	6/1998	Smith		
5,806,338	A	9/1998	Schwartz et al.		
5,816,432	A	10/1998	Hammen et al.		
5,878,593	A	3/1999	Lane et al.		
D408,225	S	4/1999	Hodosh		
5,901,571	A	5/1999	Whaley		
5,924,303	A	7/1999	Hodosh		
5,934,099	A	8/1999	Cook et al.		
6,029,845	A	2/2000	Mueller		
D424,252	S	5/2000	Hirsh		
6,058,733	A	5/2000	Morgan		
6,062,398	A	5/2000	Thalmayr		
6,065,303	A	5/2000	Harris		
6,067,813	A	5/2000	Smith		
6,073,460	A	6/2000	Credle, Jr. et al.		
6,182,839	B1	2/2001	Robbins et al.		
D440,256	S	4/2001	Wang		
6,360,884	B1 *	3/2002	Smith et al. ....	206/209.1	
6,361,746	B1	3/2002	Wlodarski		
6,401,484	B2	6/2002	Gano, III		
6,415,623	B1	7/2002	Jennings et al.		
6,446,460	B1	9/2002	Rosenberg		
6,446,461	B1	9/2002	Williams, Jr.		
6,471,059	B2	10/2002	Purvis		
6,481,014	B1	11/2002	Banks et al.		
6,491,179	B2	12/2002	Dokun		
D473,572	S *	4/2003	Linberg et al. ....	D15/90	
D480,273	S	10/2003	Cordwell		
6,640,551	B1	11/2003	Slone et al.		
6,796,441	B2	9/2004	Tremblay		
6,817,473	B2 *	11/2004	Schwaikert .....	206/508	
6,851,276	B2	2/2005	Perrins		
6,920,995	B2	7/2005	Bowen et al.		
6,990,831	B2	1/2006	Fiene		
7,032,753	B2	4/2006	Purvis		
7,040,115	B1	5/2006	Lopez et al.		
D527,225	S	8/2006	Krieger et al.		
D528,368	S	9/2006	Maldonado		
7,121,112	B2	10/2006	Robertson		
D534,016	S	12/2006	Raile		
D536,905	S	2/2007	Raile		
7,195,132	B1	3/2007	Balam		
7,225,633	B2	6/2007	DeMars		
7,240,514	B2	7/2007	Gary		
7,249,772	B2	7/2007	Bruns		
7,269,970	B2	9/2007	Robertson		
7,318,461	B2	1/2008	Zeller		
D566,423	S	4/2008	Raile		
7,419,070	B2	9/2008	Cantwell et al.		
D580,110	S	11/2008	Tsengas		
D608,159	S	1/2010	Whitlock et al.		
D613,560	S	4/2010	Robichaud et al.		
2002/0112501	A1	8/2002	Williams		
2006/0249407	A1	11/2006	Buckingham		
2007/0012069	A1	1/2007	Girard		
2007/0272092	A1	11/2007	Ehrenreich		
2008/0271476	A1	11/2008	Langguth		
2009/0078607	A1	3/2009	Ballard		
2009/0261135	A1 *	10/2009	Robichaux et al. ....	224/414	

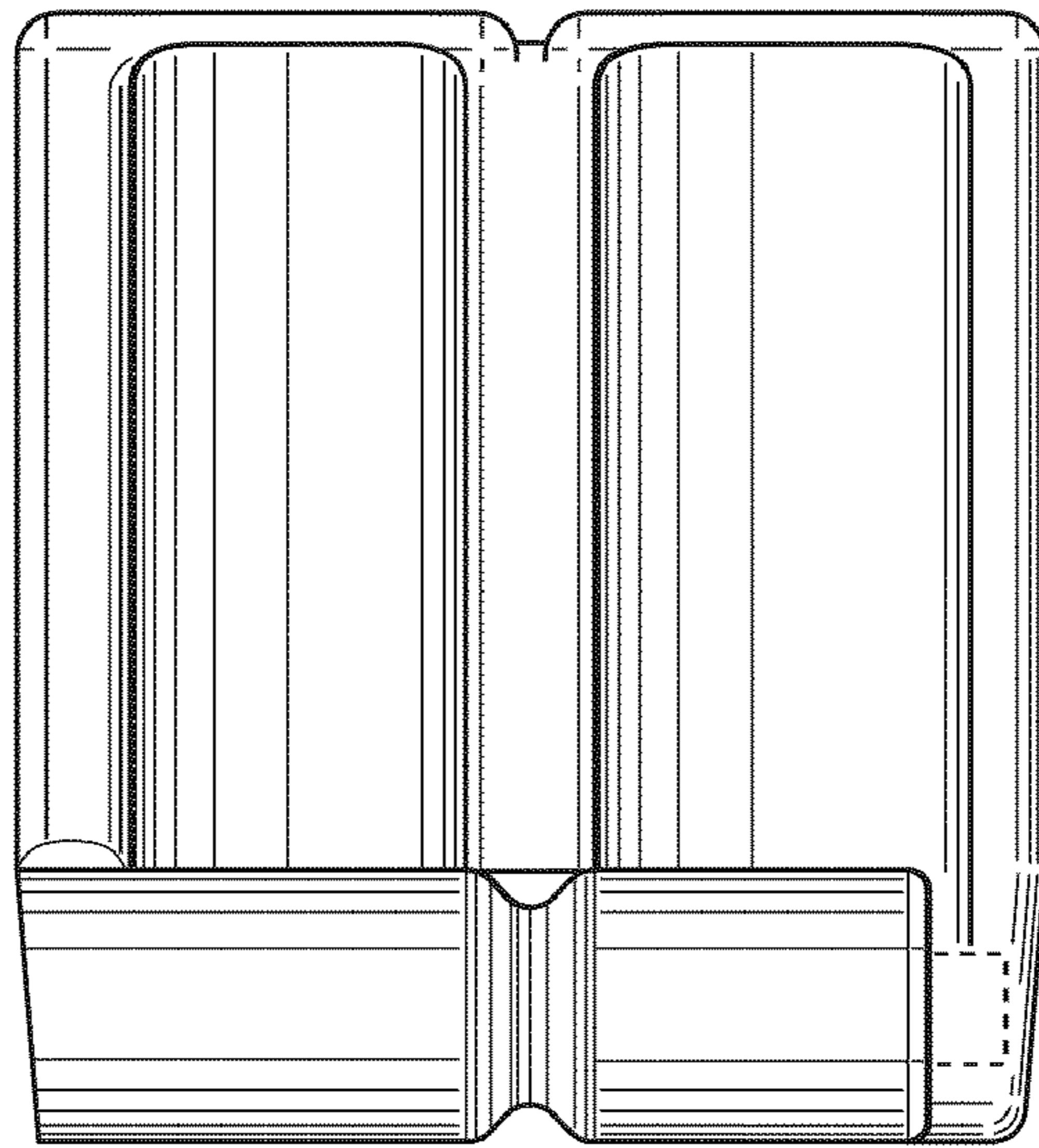
\* cited by examiner



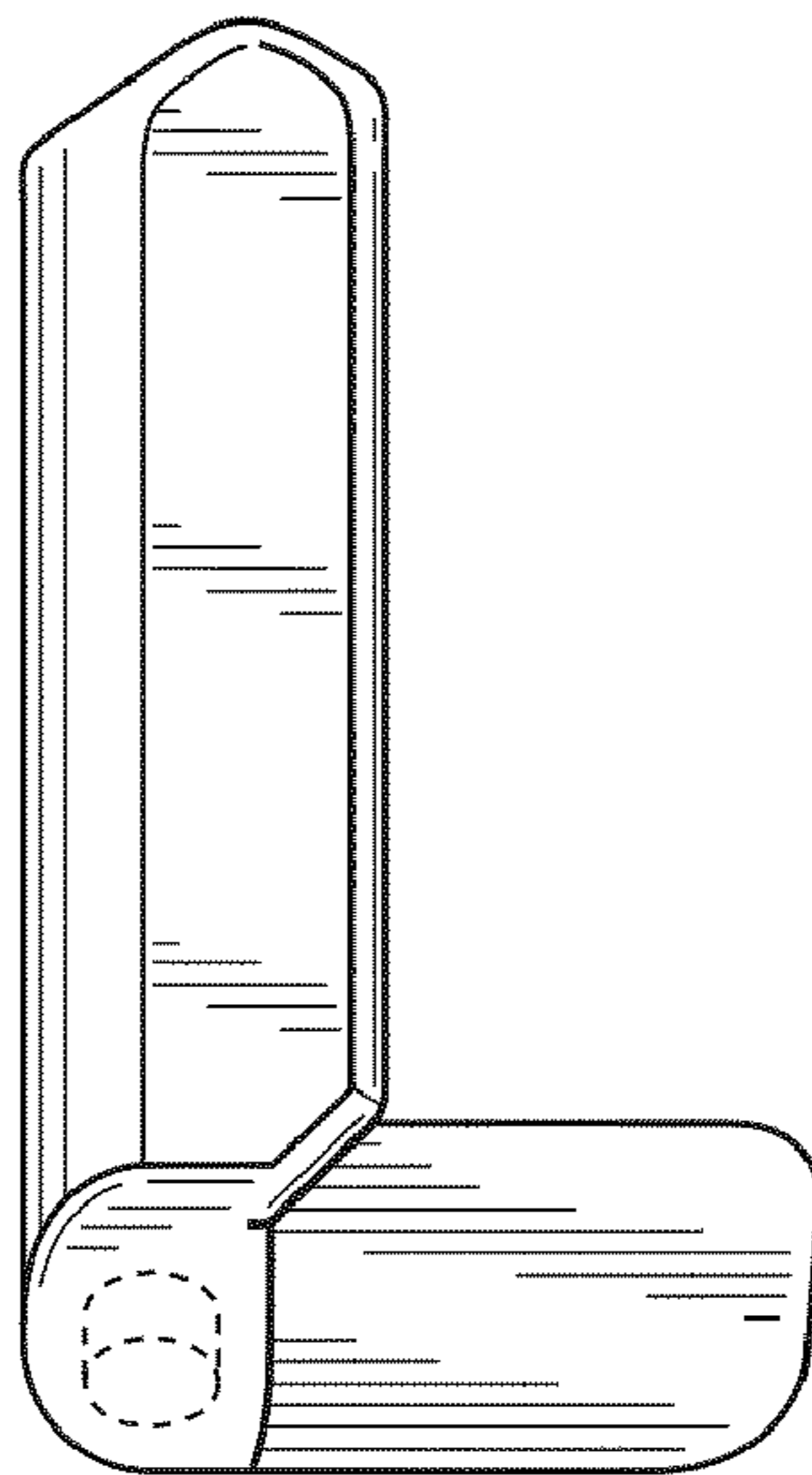
**FIG. 1**



**FIG. 2**



**FIG. 3**



**FIG. 4**

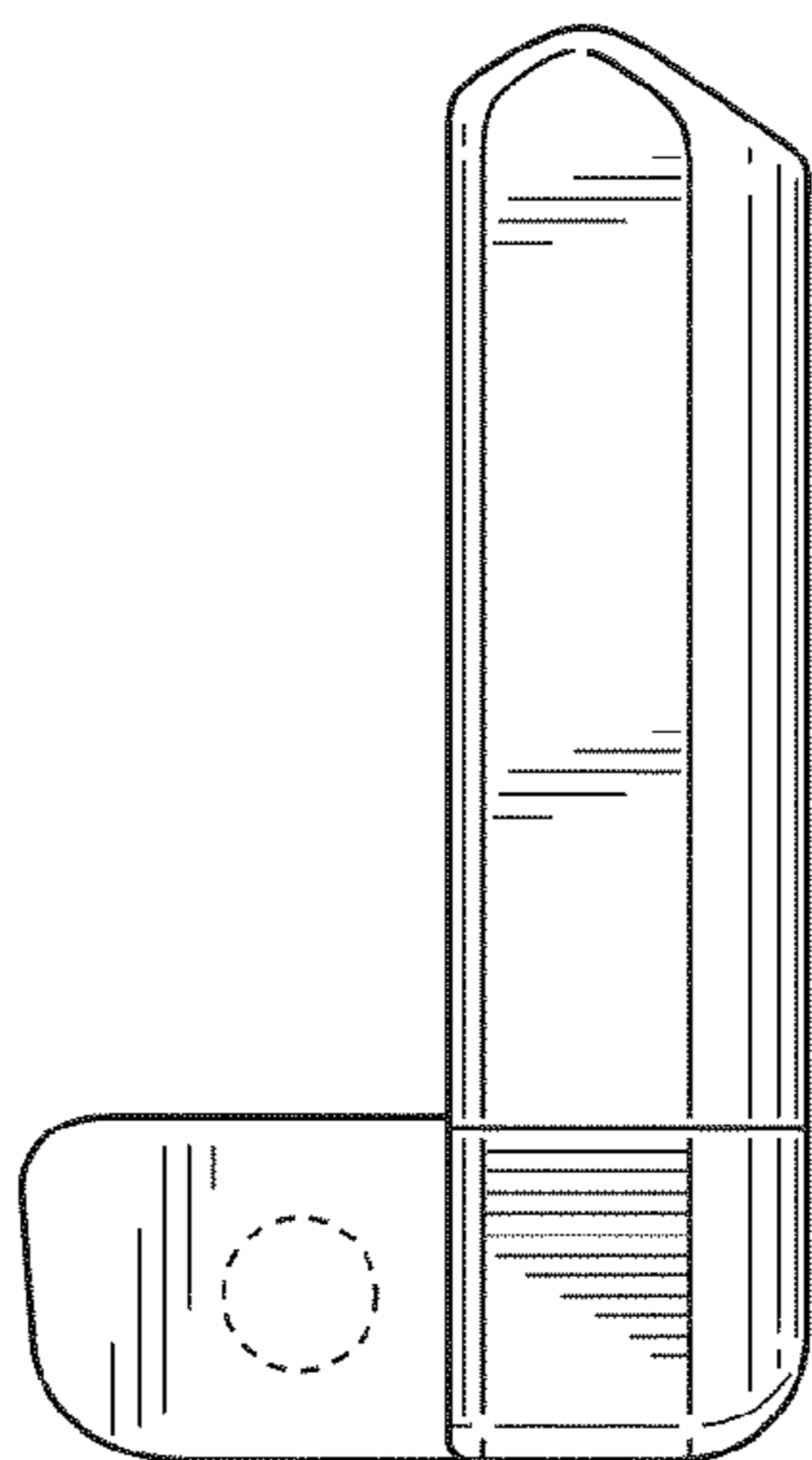


FIG. 5

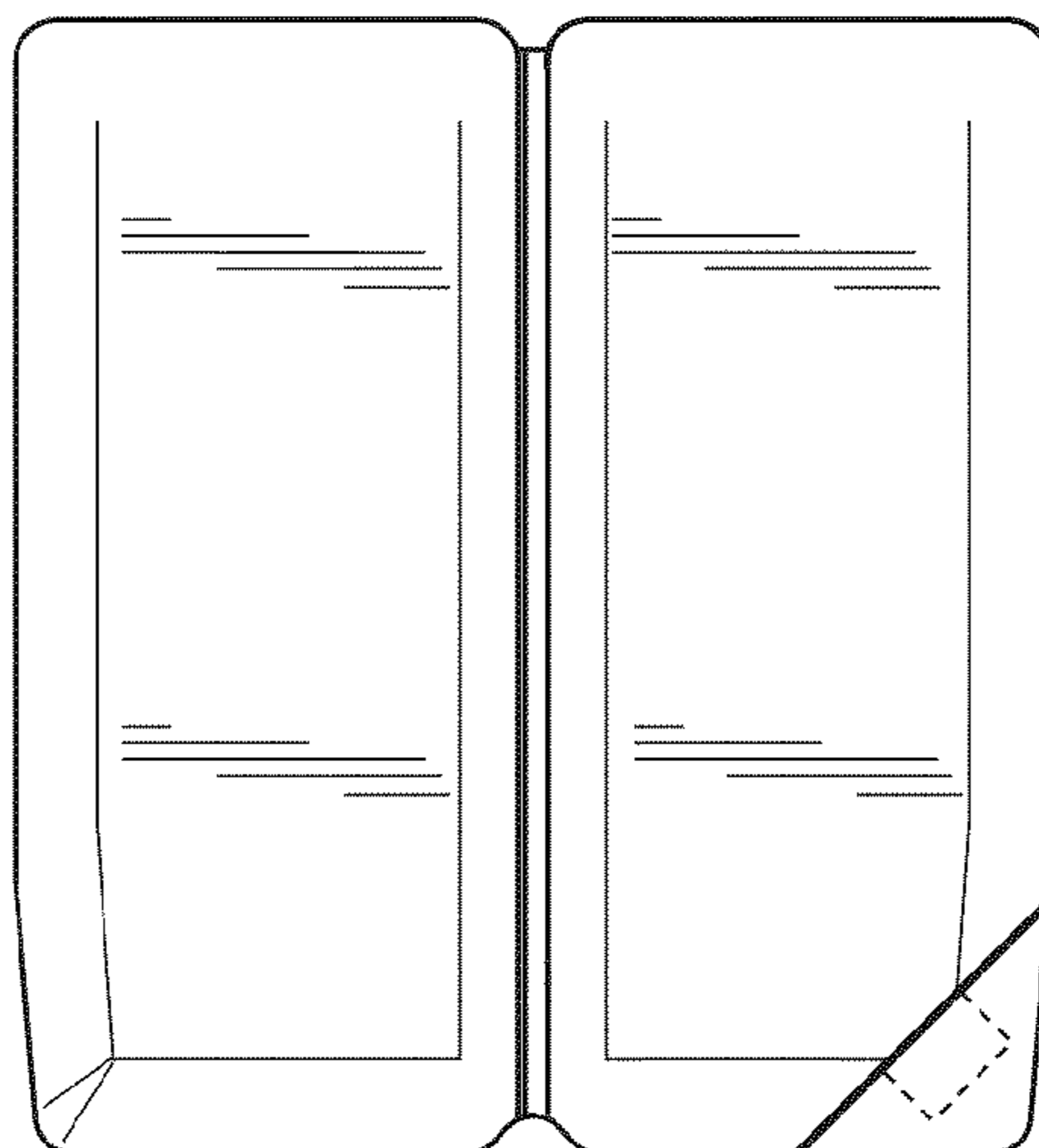


FIG. 6

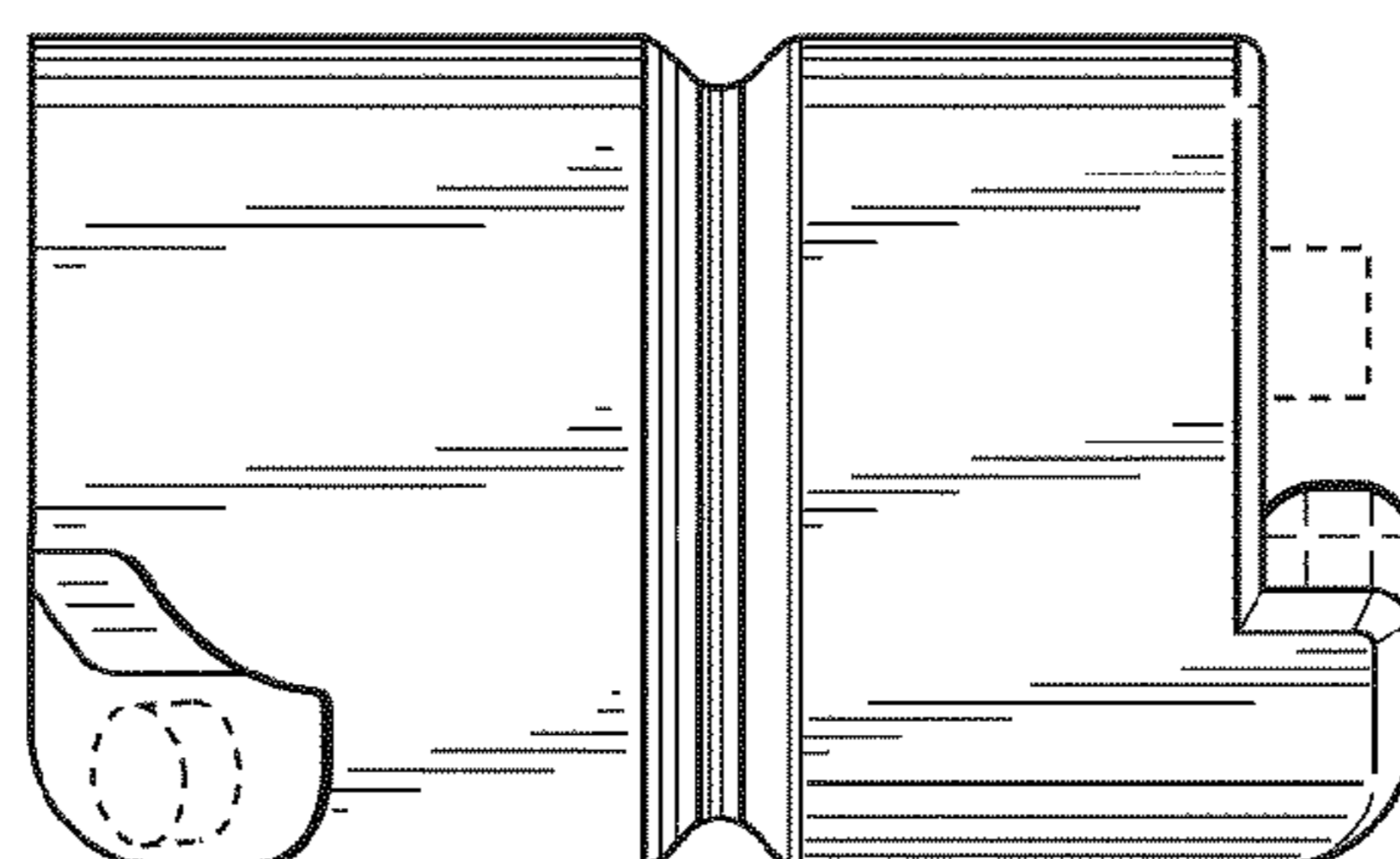


FIG. 7