



US00D644858S

(12) **United States Design Patent**
Townsend

(10) **Patent No.:** **US D644,858 S**

(45) **Date of Patent:** **** Sep. 13, 2011**

(54) **TABLE**

(76) Inventor: **Richard W. Townsend**, Katonah, NY
(US)

(**) Term: **14 Years**

(21) Appl. No.: **29/370,494**

(22) Filed: **Jul. 26, 2010**

(51) **LOC (9) Cl.** **06-03**

(52) **U.S. Cl.** **D6/486**

(58) **Field of Classification Search** D6/480-489,
D6/495-499, 511, 429-431; 248/188, 188.1,
248/188.8, 440.1; 108/150, 155, 156, 157.1,
108/161

See application file for complete search history.

(56) **References Cited**

U.S. PATENT DOCUMENTS

D201,558 S * 7/1965 Reyes D6/483
D265,782 S * 8/1982 Ohle D6/426
D270,411 S * 9/1983 DeGregori D6/480

D511,912 S * 11/2005 Blonder D6/486
* cited by examiner

Primary Examiner — Janice Seeger

(57) **CLAIM**

The ornamental design for a table, as shown and described.

DESCRIPTION

FIG. 1 is a perspective view of the table with wedge shaped top embodying the new design.

FIG. 2 is a left side elevational view of the table with wedge shaped top.

FIG. 3 is the front end elevational view of the table with wedge shaped top.

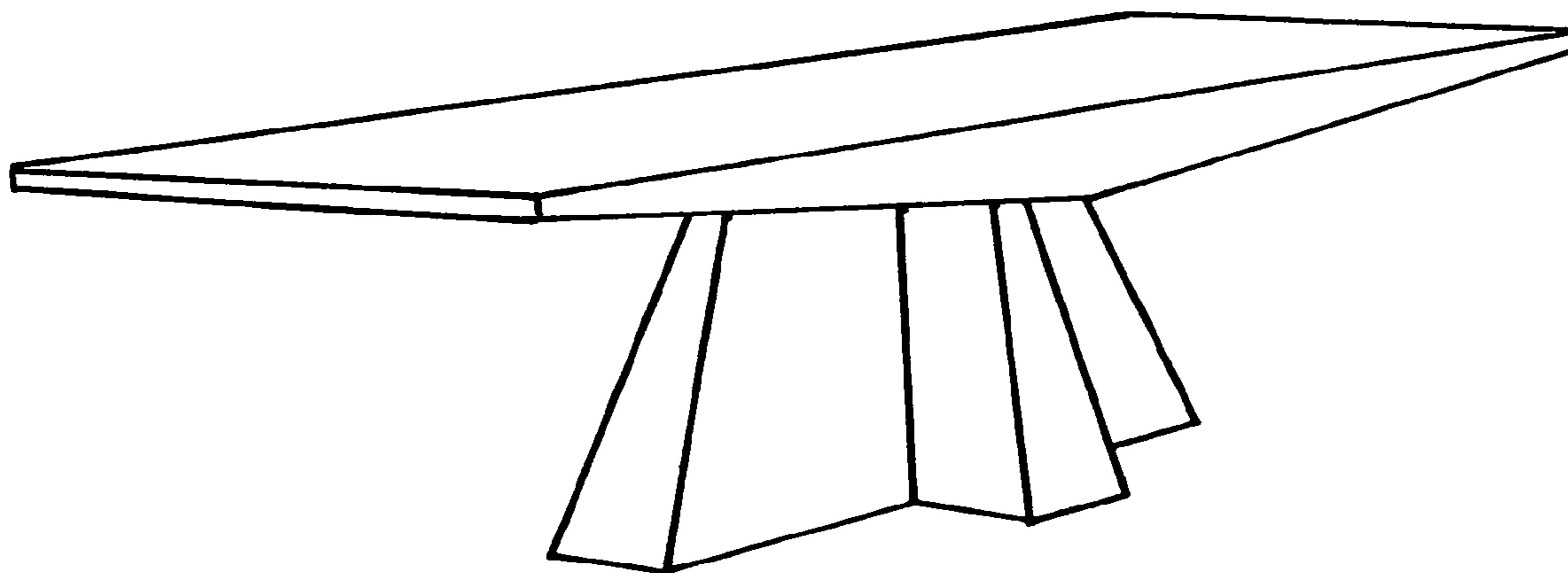
FIG. 4 is a right side elevational view of the table with wedge shaped top.

FIG. 5 is the back end elevational view of the table with wedge shaped top.

FIG. 6 is a top plan view of the table with wedge shaped top; and,

FIG. 7 is an underside plan view of the table with wedge shaped top.

1 Claim, 7 Drawing Sheets



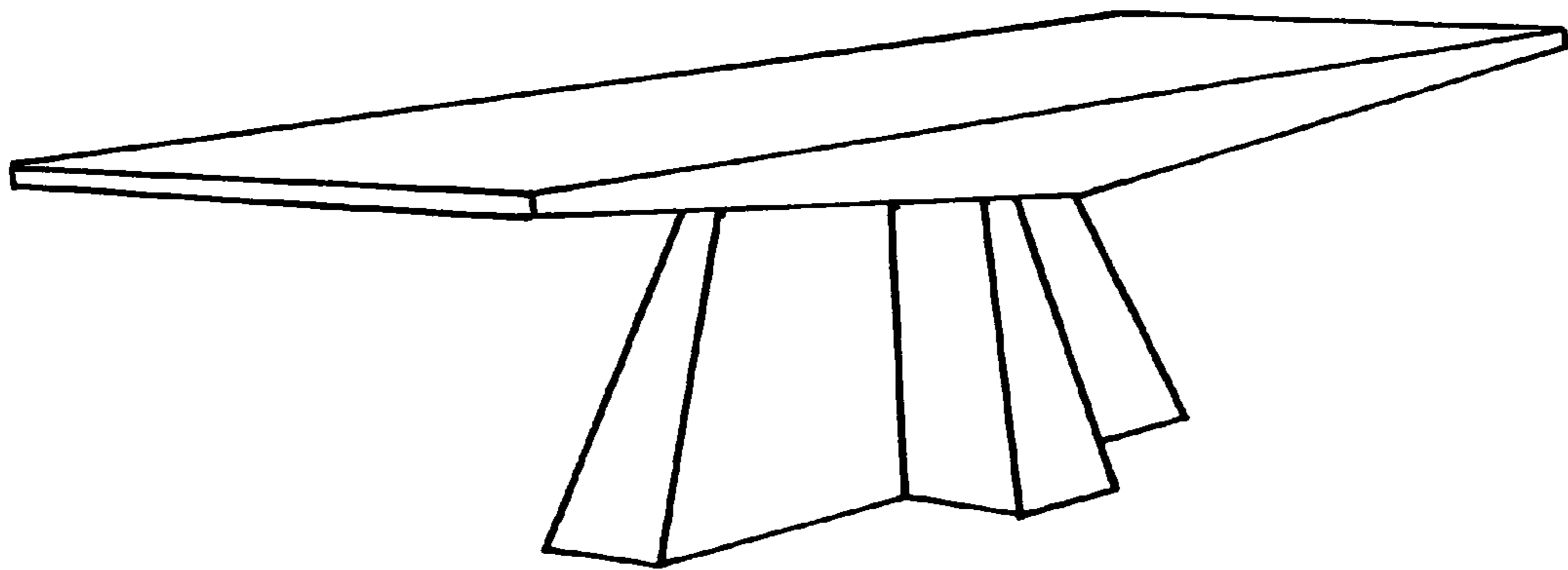


Figure #1

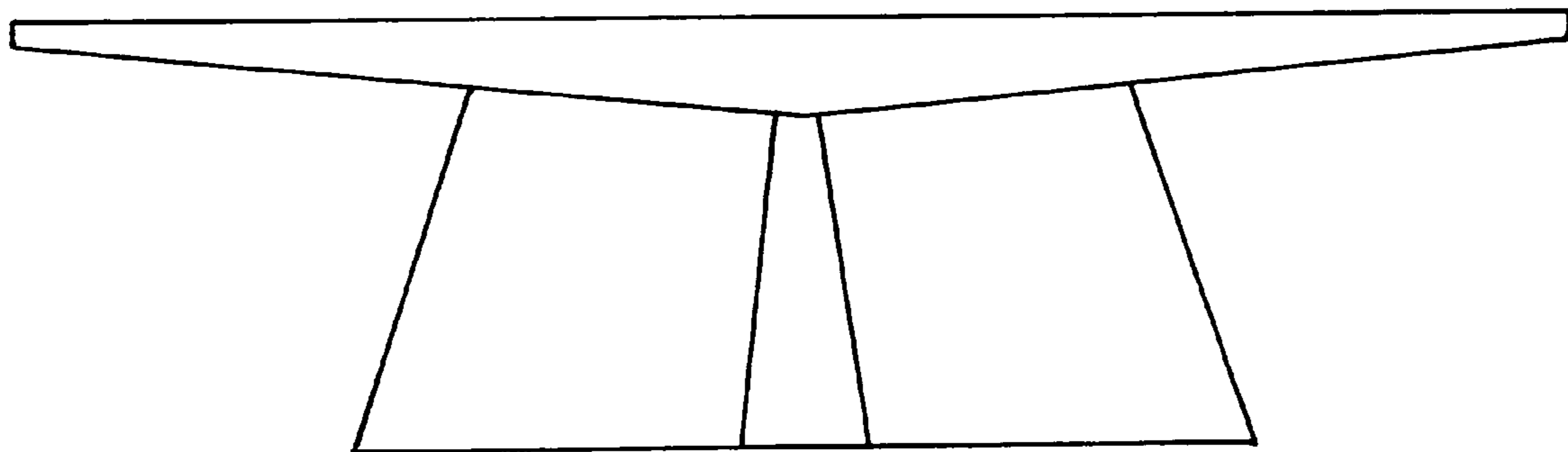


Figure #2

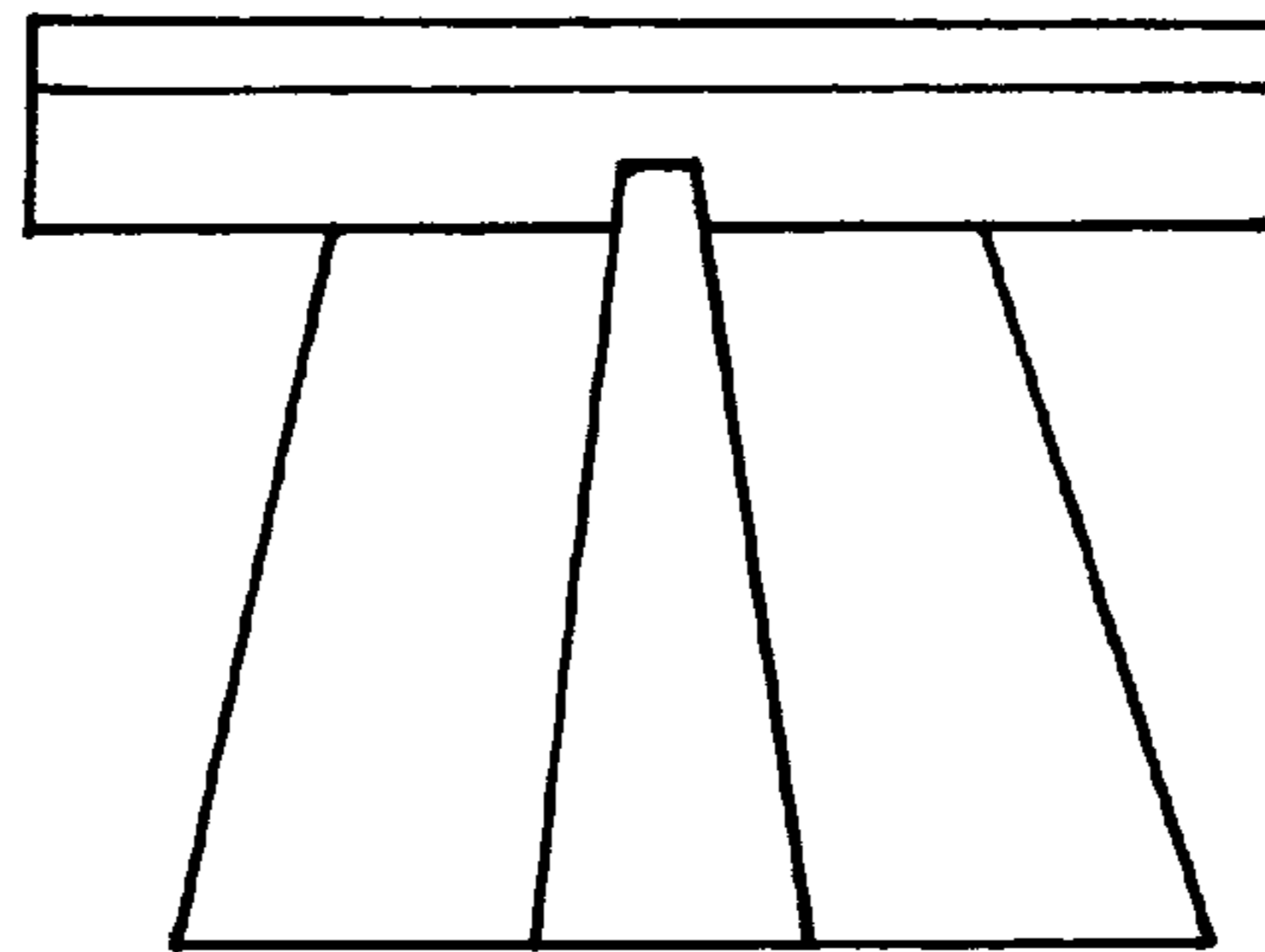


Figure #3

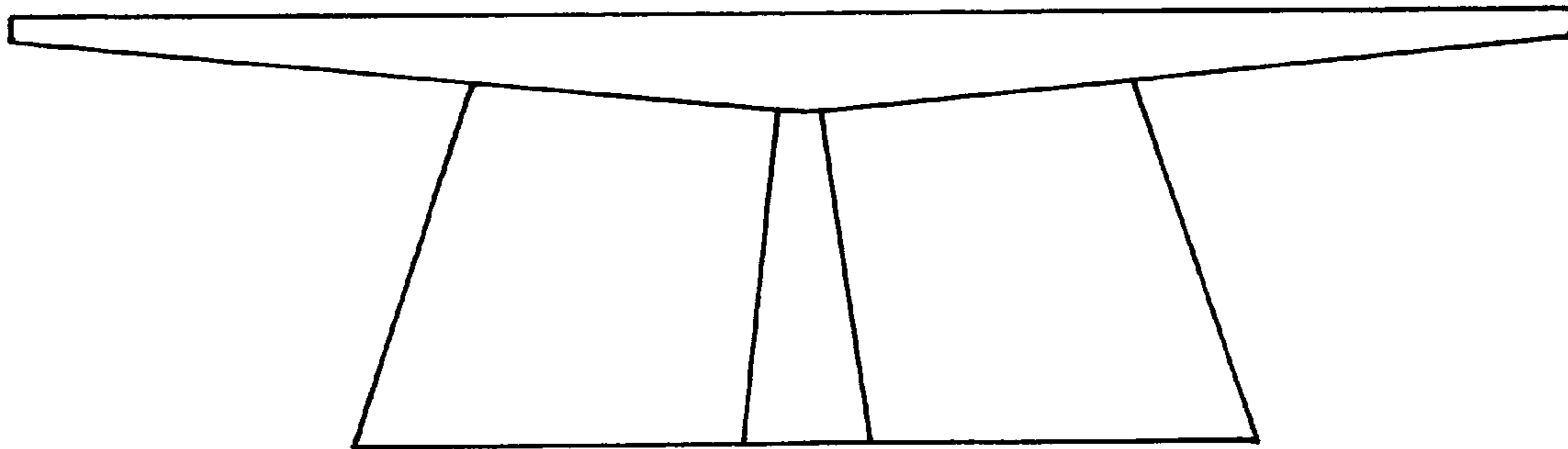


Figure #4

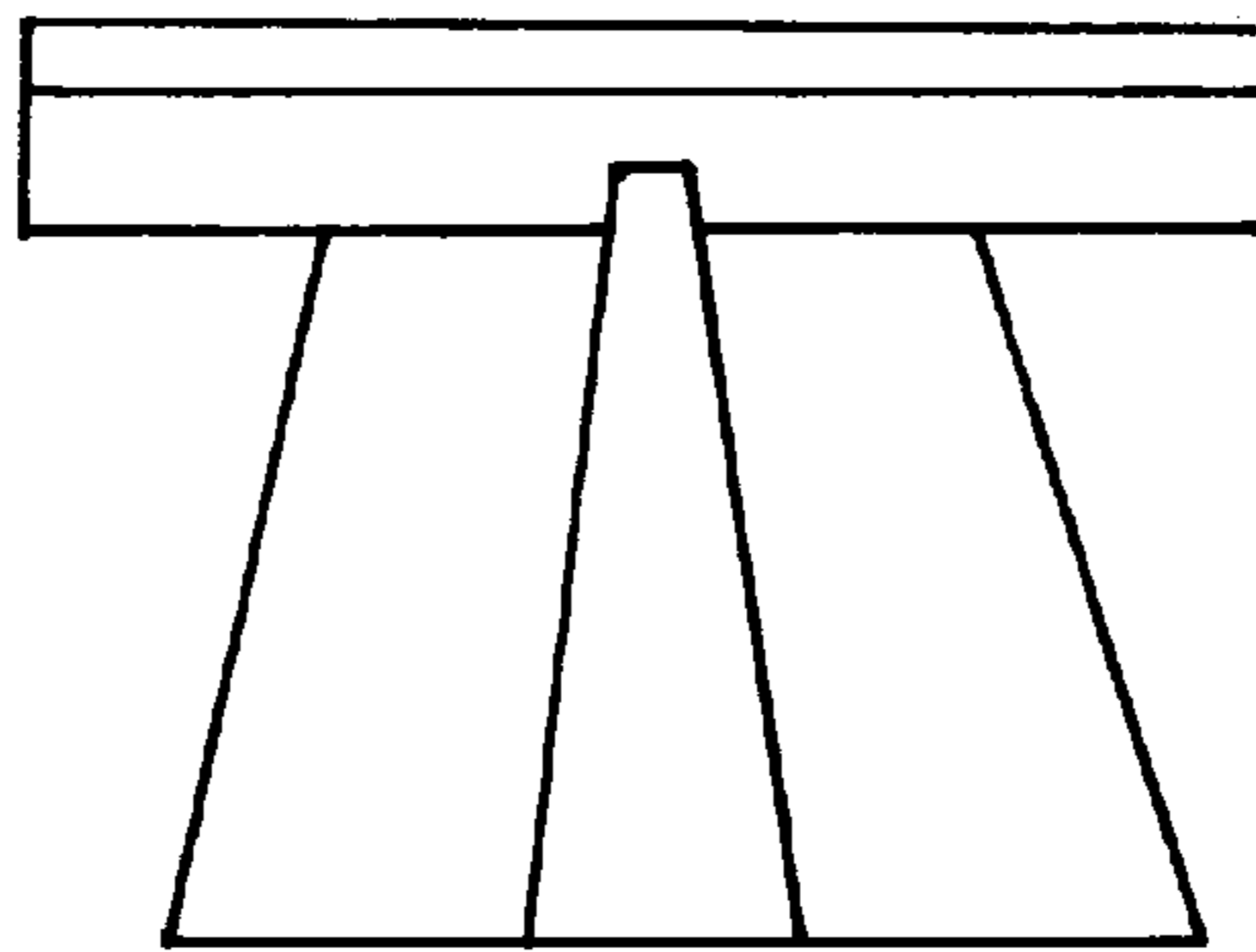


Figure #5

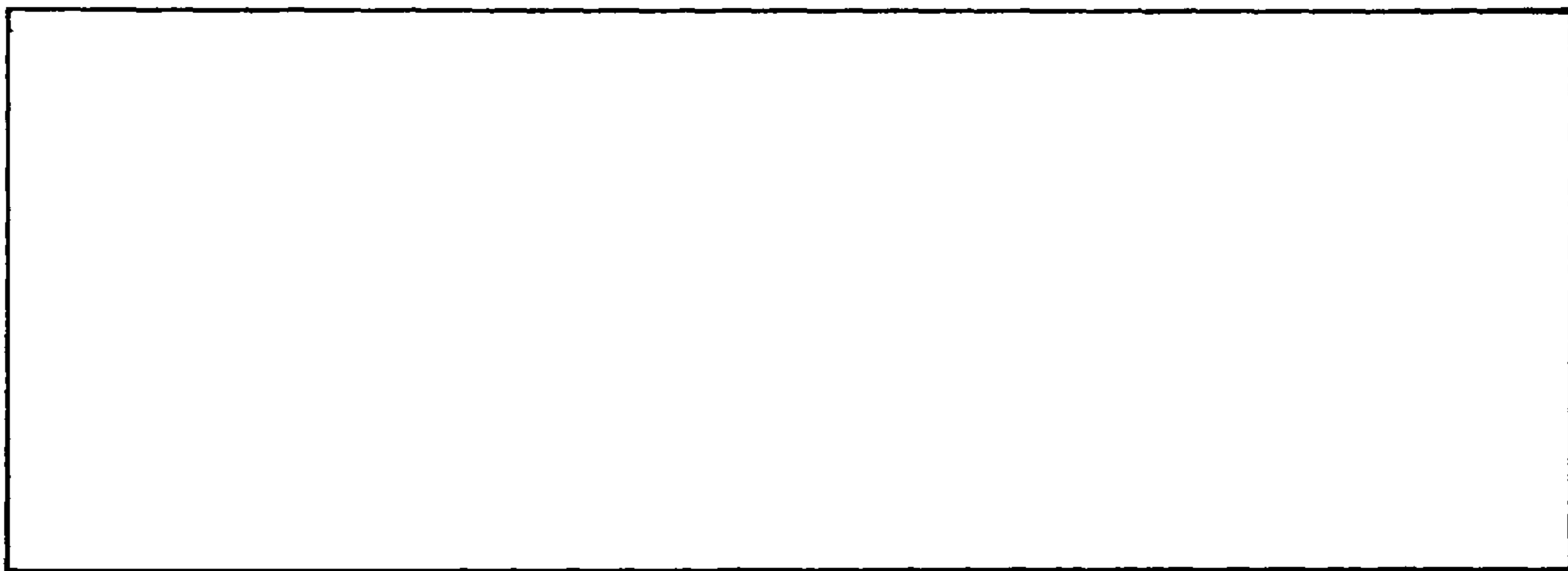


Figure #6

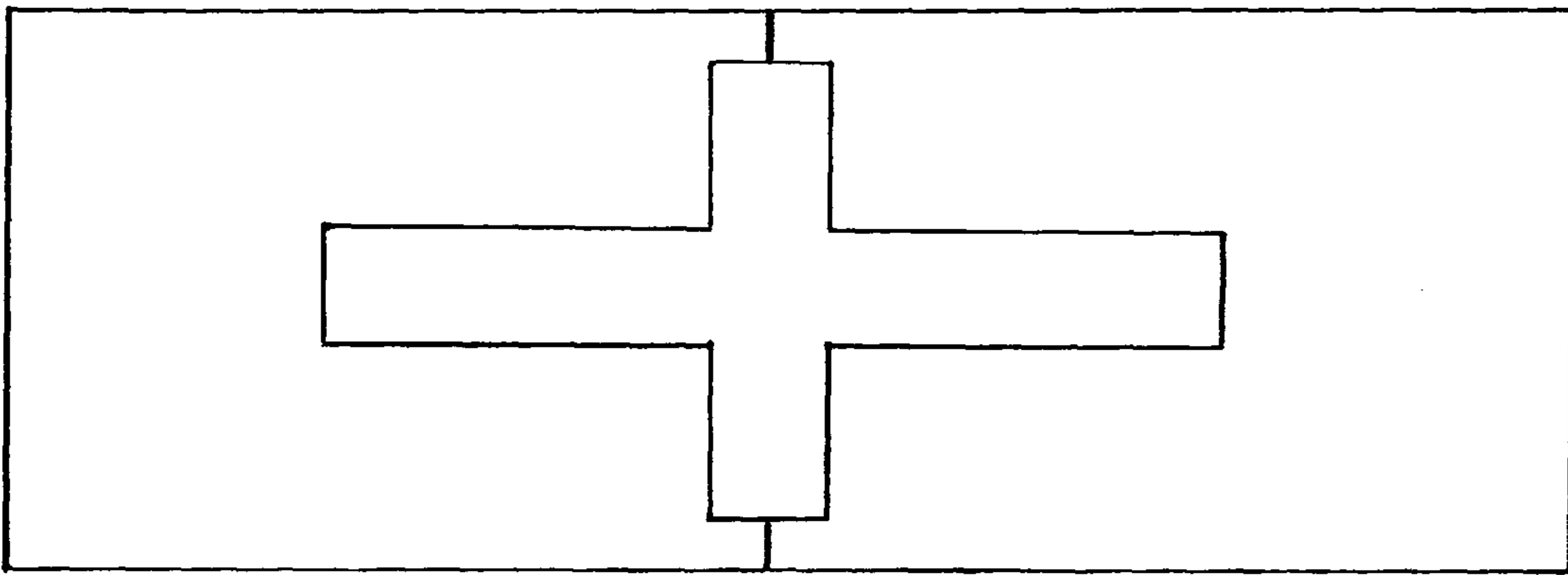


Figure #7