



US00D644855S

(12) **United States Design Patent**
Saito

(10) **Patent No.:** **US D644,855 S**
(45) **Date of Patent:** **** Sep. 13, 2011**

(54) **TABLE**

DESCRIPTION

(75) Inventor: **Takayuki Saito**, Kasugai (JP)

(73) Assignee: **Aichi Co., Ltd.**, Nagoya-shi (JP)

(**) Term: **14 Years**

(21) Appl. No.: **29/357,684**

(22) Filed: **Mar. 16, 2010**

(30) **Foreign Application Priority Data**

Sep. 16, 2009 (JP) 2009-021427
Sep. 16, 2009 (JP) 2009-021428

(51) **LOC (9) Cl.** **06-03**

(52) **U.S. Cl.** **D6/480**

(58) **Field of Classification Search** D6/480-489,
D6/495-499, 429-431, 451; 108/153.1,
108/156, 157.1, 161, 144.11, 146, 147, 147.19,
108/147.21; 248/188, 188.1, 188.7, 188.8
See application file for complete search history.

(56) **References Cited**

U.S. PATENT DOCUMENTS

D332,887 S * 2/1993 Fjello-Jensen D6/496
D336,393 S * 6/1993 Saotome D6/484
D409,020 S * 5/1999 Hardin D6/480
D554,909 S * 11/2007 Theemann D6/480

FOREIGN PATENT DOCUMENTS

JP 1321755 2/2008

* cited by examiner

Primary Examiner — Janice Seeger

(74) *Attorney, Agent, or Firm* — Edwards Angell Palmer & Dodge LLP

(57) **CLAIM**

The ornamental design for a table, as shown and described.

FIG. 1 is a perspective view of the table;
FIG. 2 is a front view thereof;
FIG. 3 is a back view thereof;
FIG. 4 is a left view thereof;
FIG. 5 is a right view thereof;
FIG. 6 is a top view thereof;
FIG. 7 is a bottom view thereof;
FIG. 8 is a left view thereof in a folded state;
FIG. 9 is a back view thereof in the folded state;
FIG. 10 is a cross-sectional view along the line 10-10 in FIG. 2;
FIG. 11 is a cross-sectional view along the line 11-11 in FIG. 2;
FIG. 12 is a perspective view thereof with the table in an alternate environment;
FIG. 13 is a front view thereof with the table in an alternate environment;
FIG. 14 is a back view thereof with the table in an alternate environment;
FIG. 15 is a left view thereof with the table in an alternate environment;
FIG. 16 is a right view thereof with the table in an alternate environment;
FIG. 17 is a top view thereof with the table in an alternate environment;
FIG. 18 is a bottom view thereof with the table in an alternate environment;
FIG. 19 is a left view thereof in a folded state with the table in an alternate environment;
FIG. 20 is a back view thereof in a folded state with the table in an alternate environment;
FIG. 21 is a cross-sectional view along the line 21-21 in FIG. 13 with the table in an alternate environment; and,
FIG. 22 is a cross-sectional view along the line 22-22 in FIG. 13 with the table in an alternate environment.
The broken lines showing the modesty panel are for environmental purposes only and form no part of the claimed design.

1 Claim, 20 Drawing Sheets

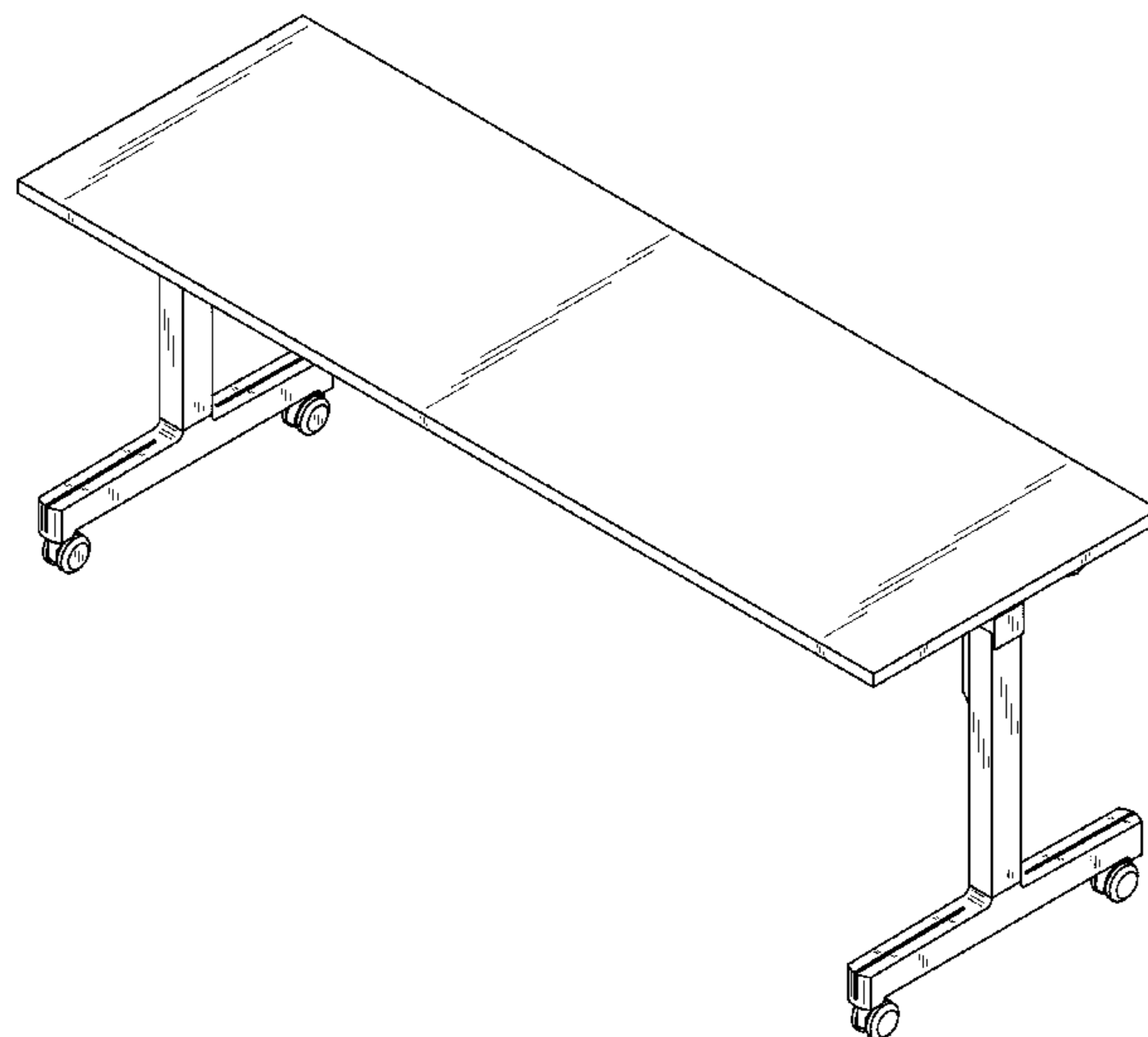
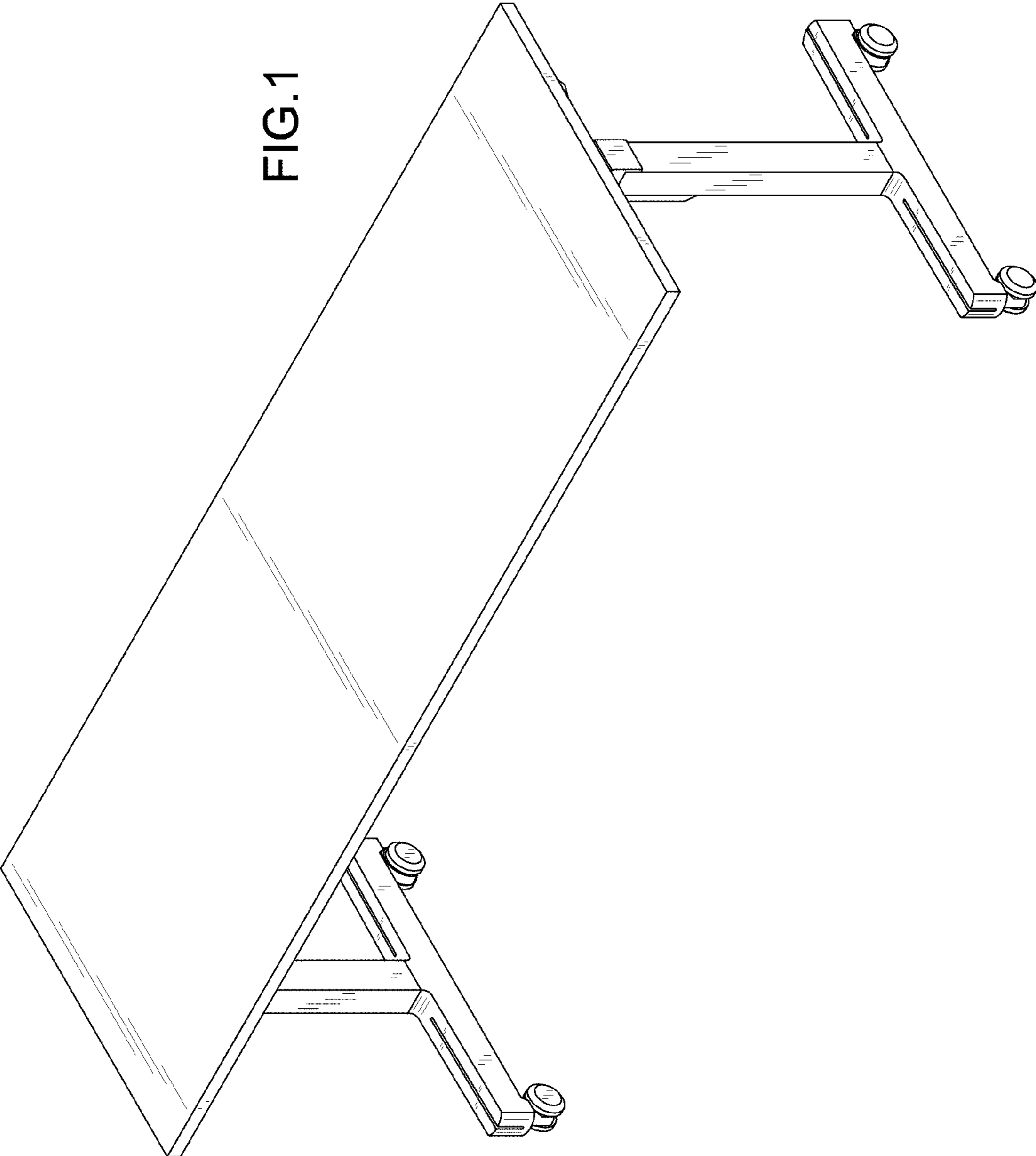


FIG.1



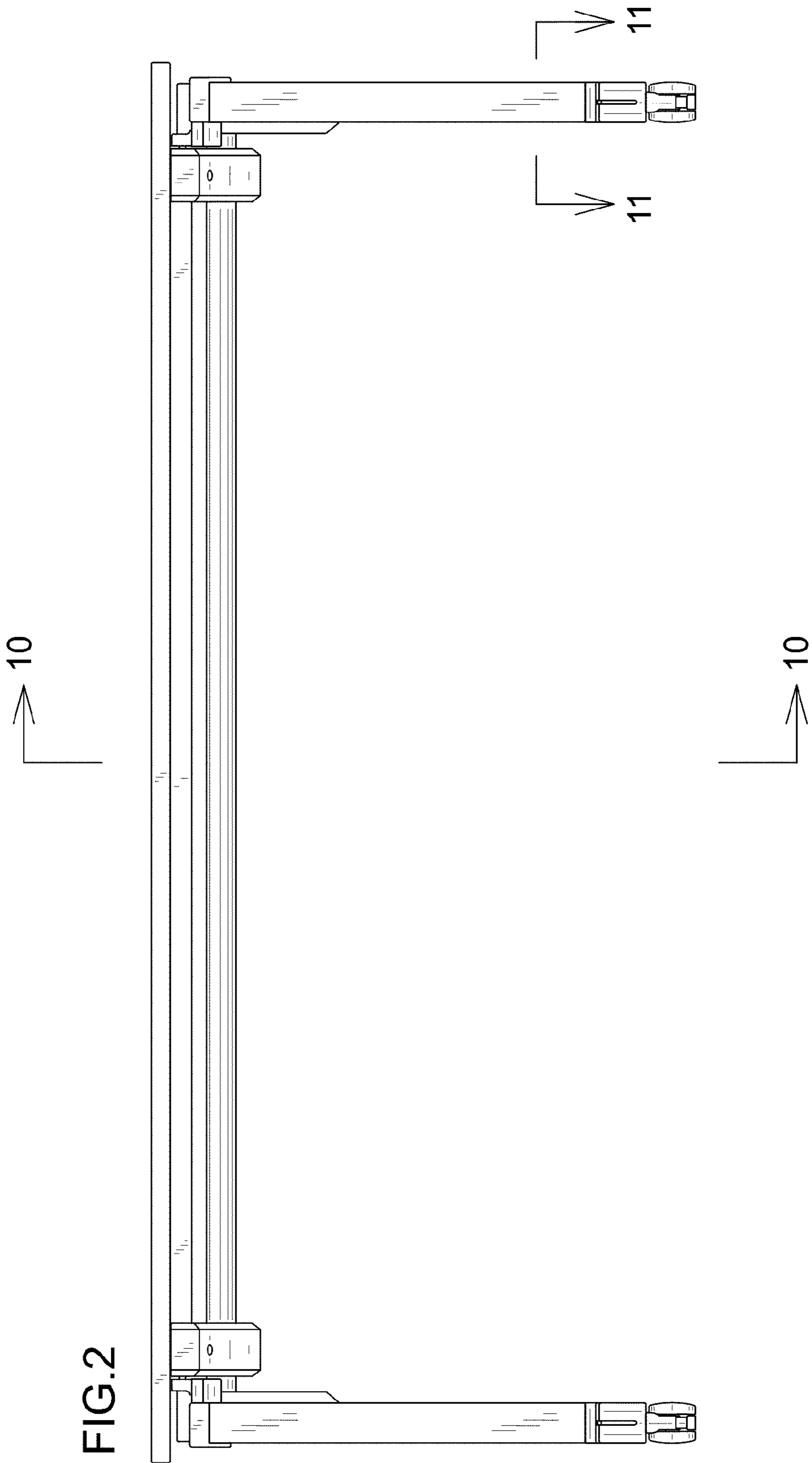


FIG. 2

FIG.3

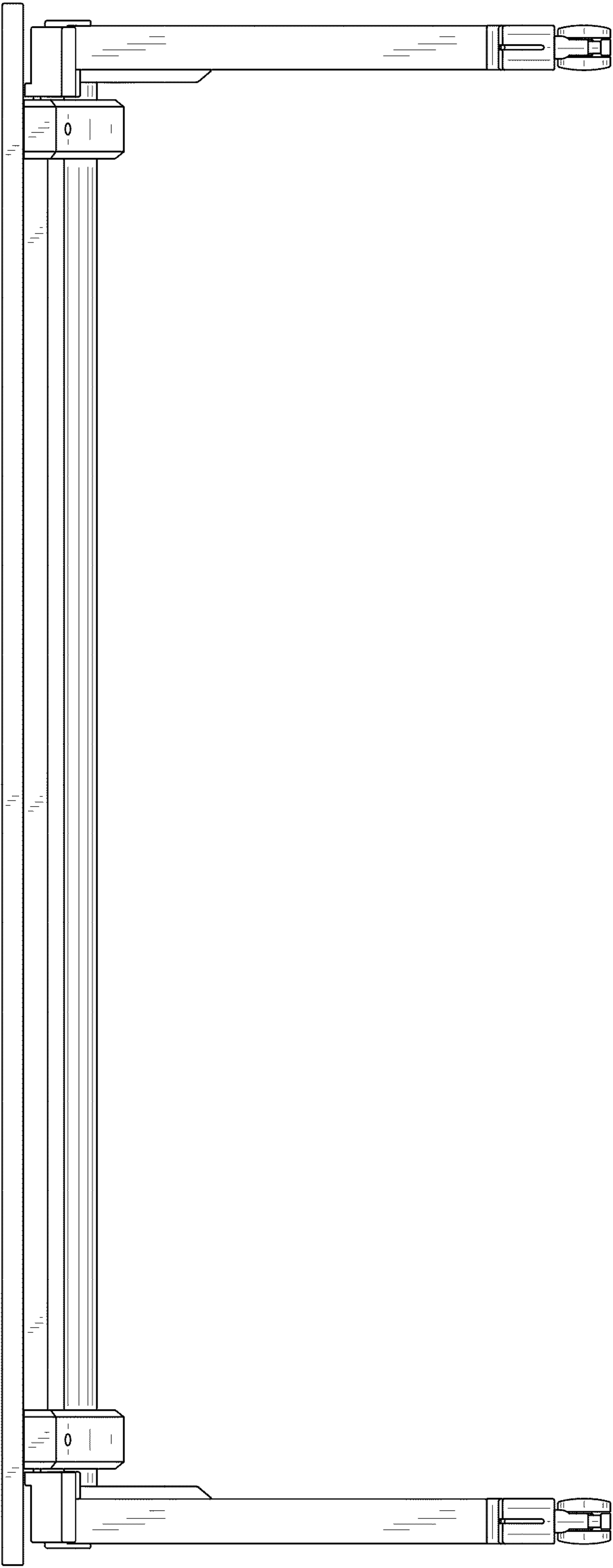


FIG.5

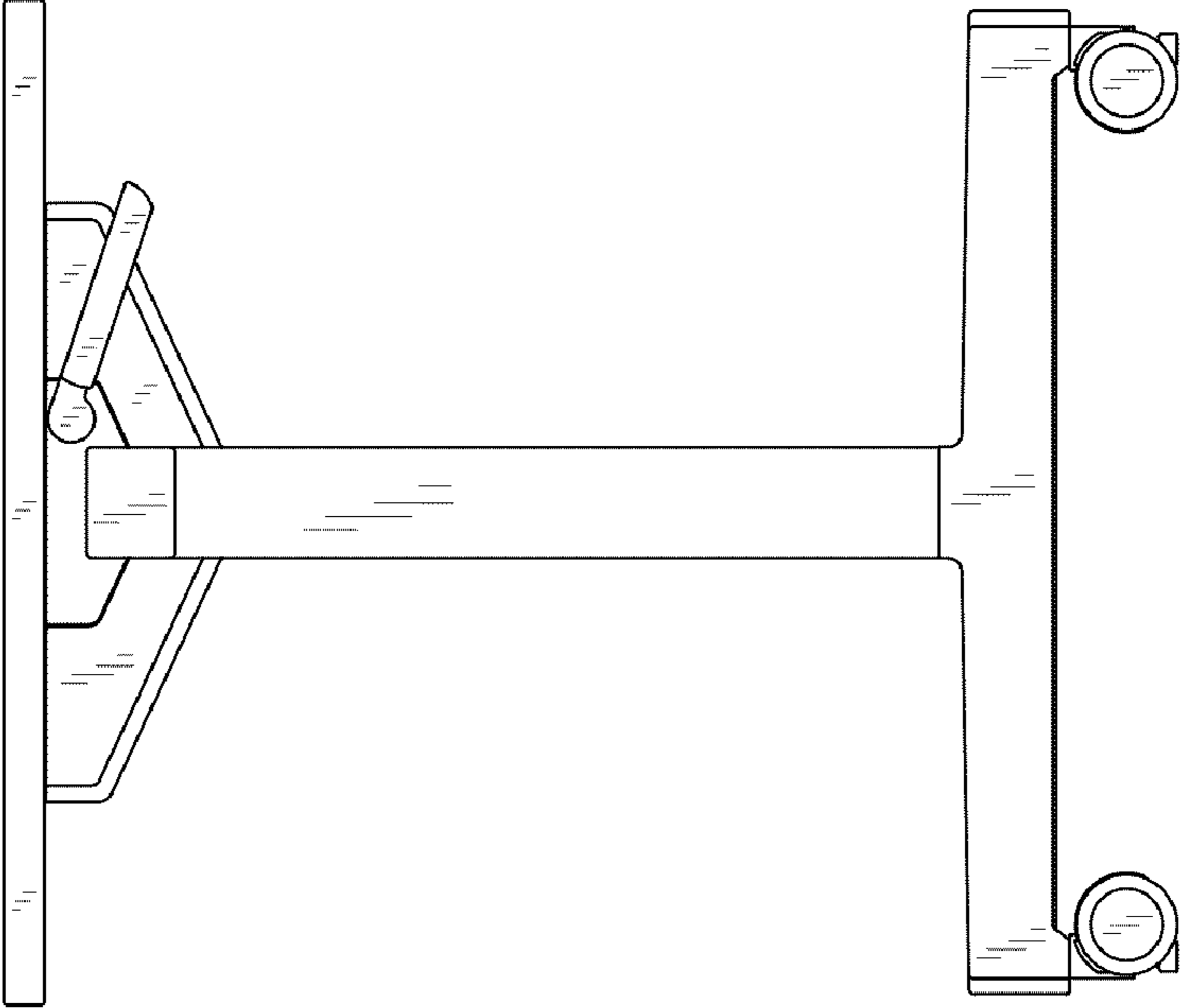


FIG.4

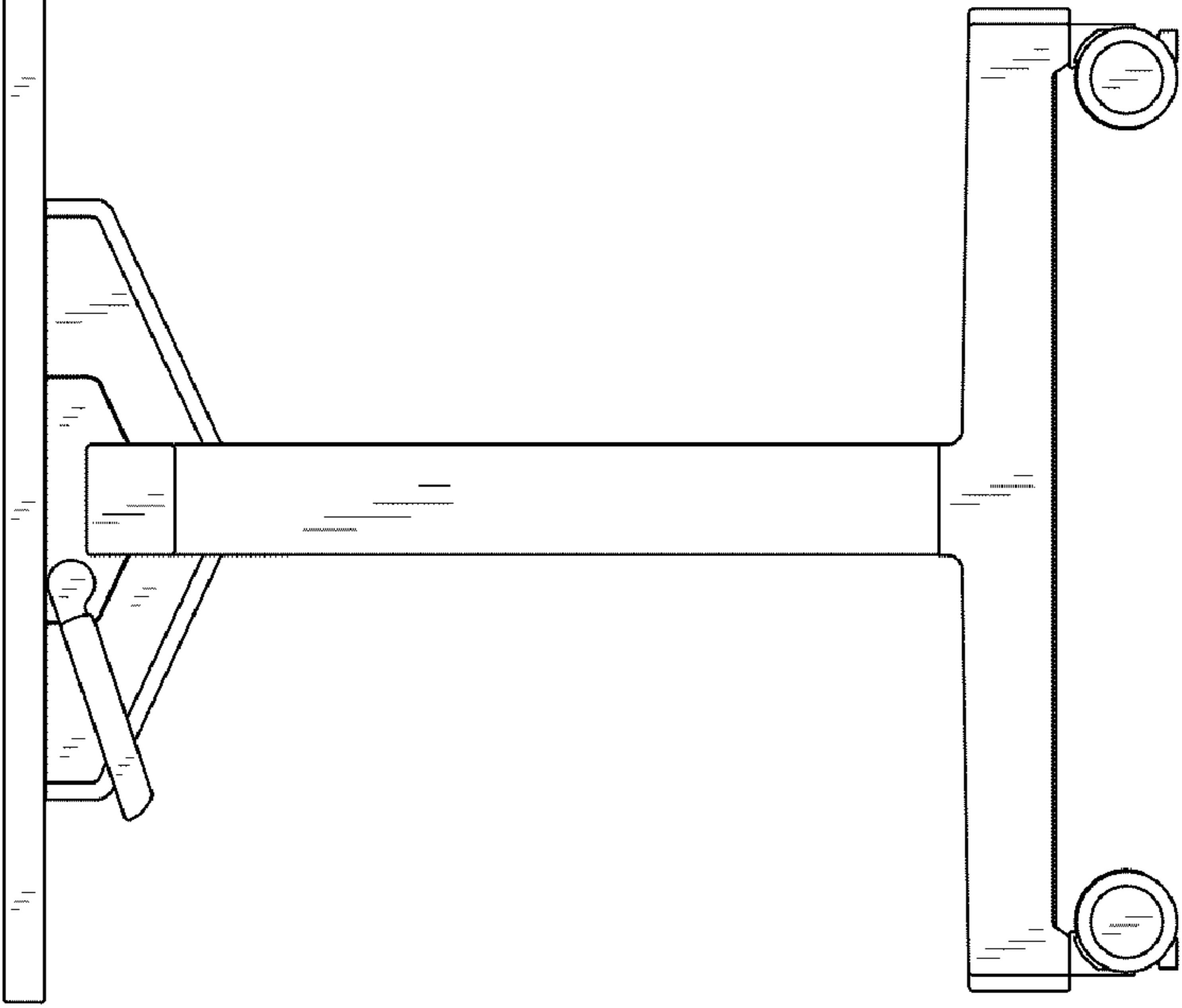


FIG.6

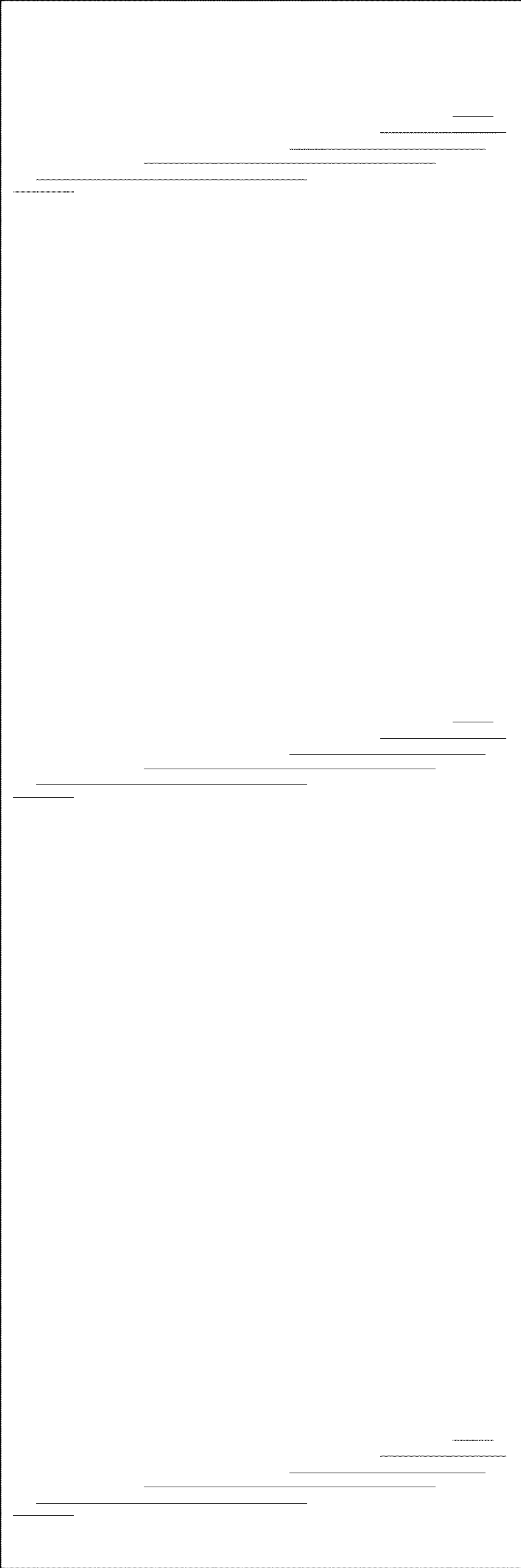


FIG.7

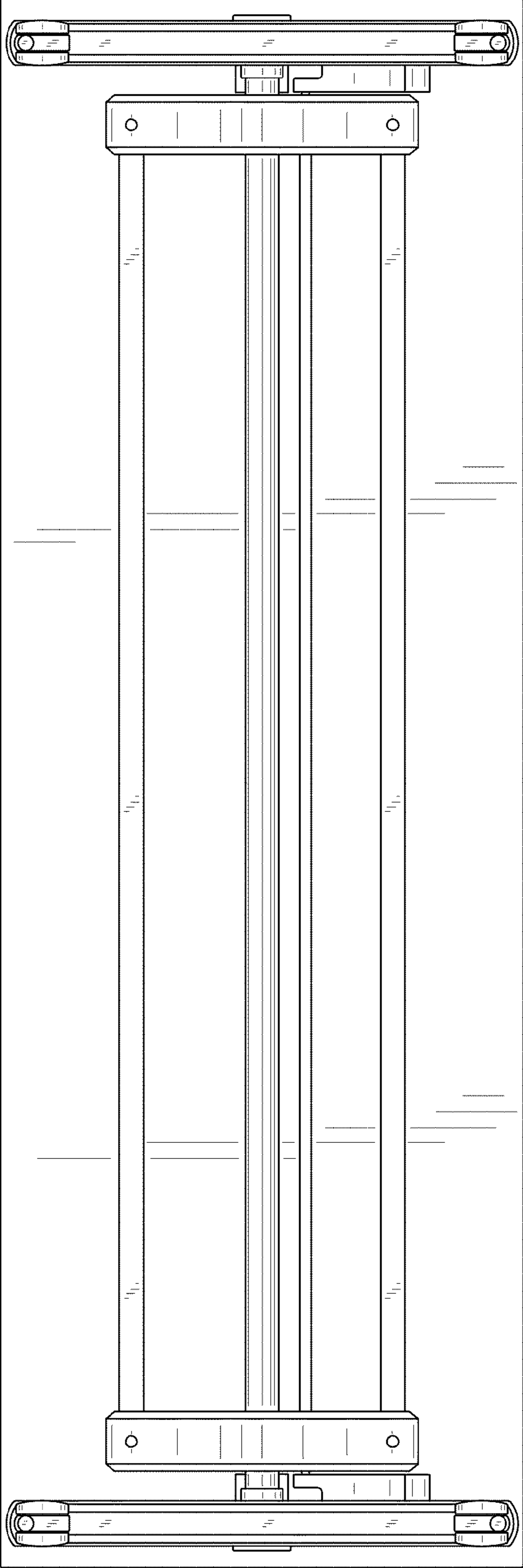


FIG. 8

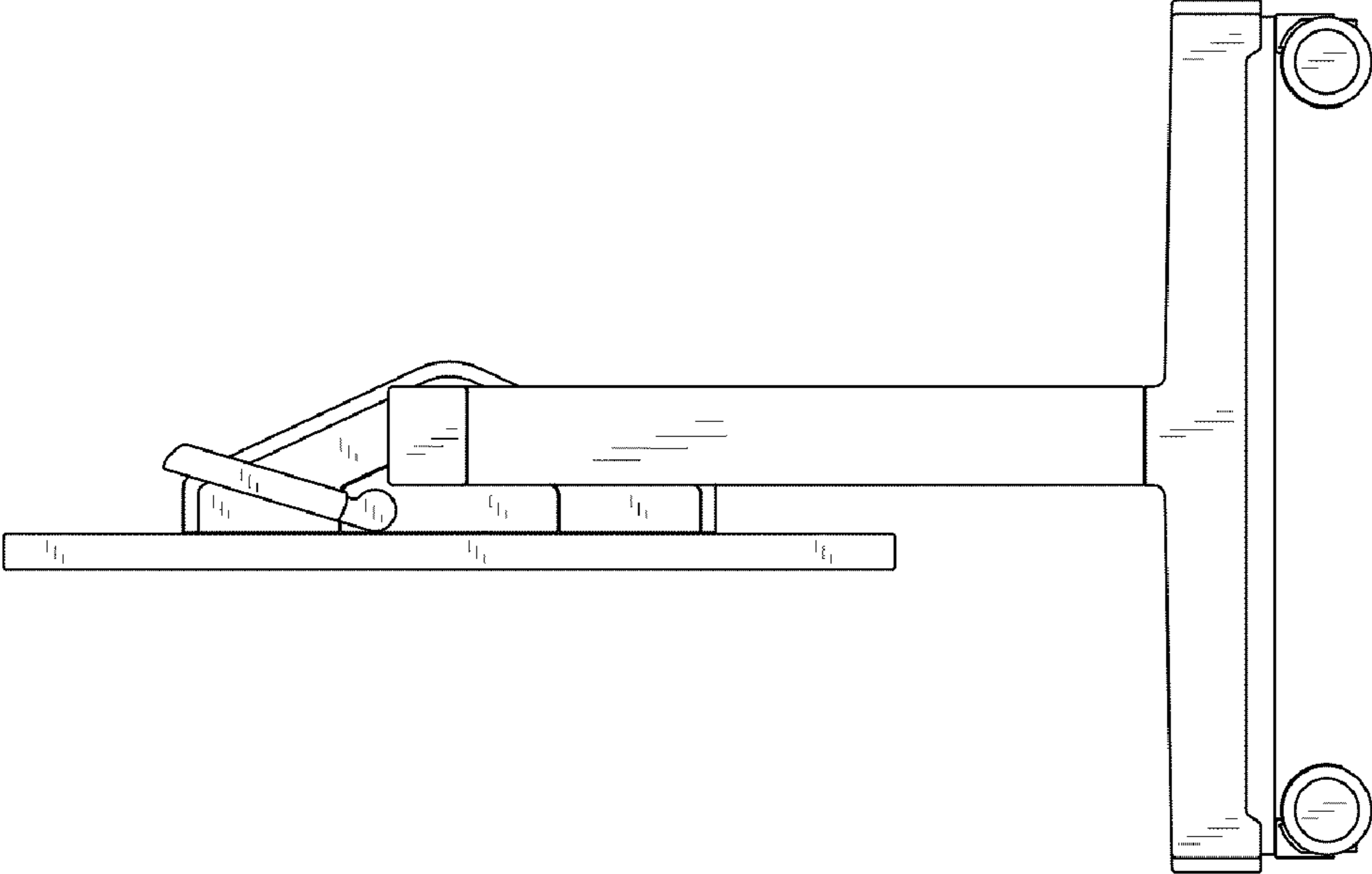


FIG.9

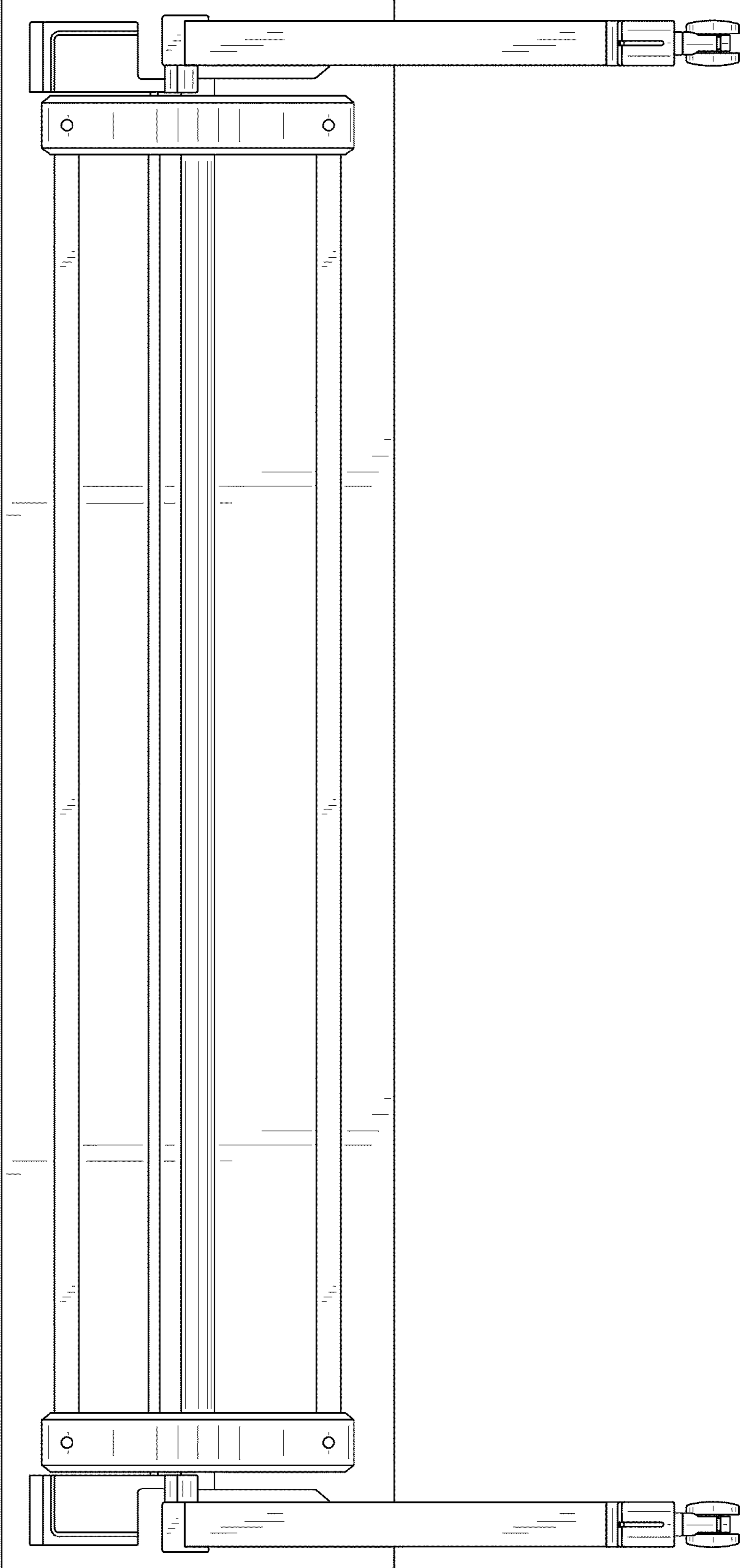


FIG.10

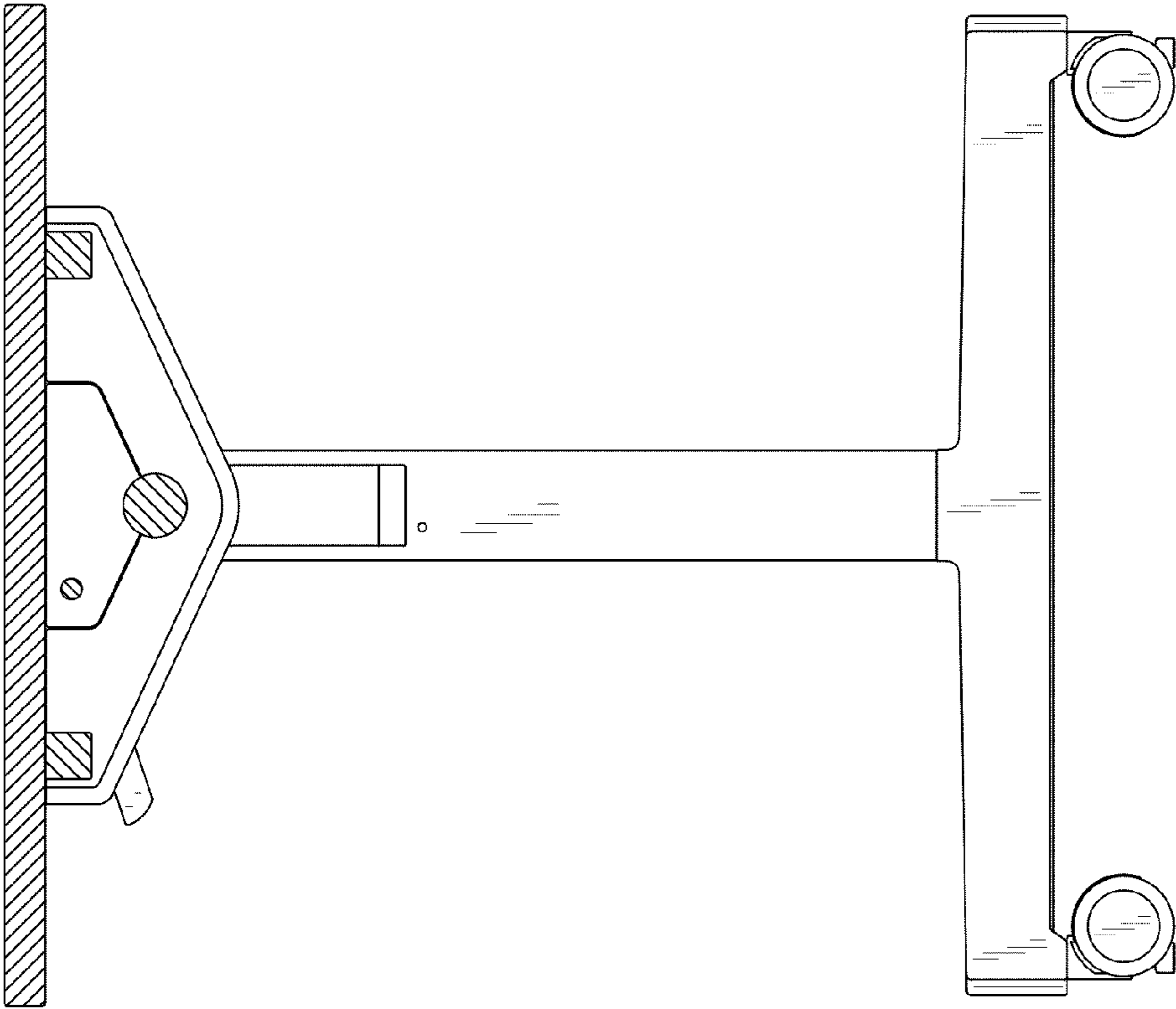


FIG.11

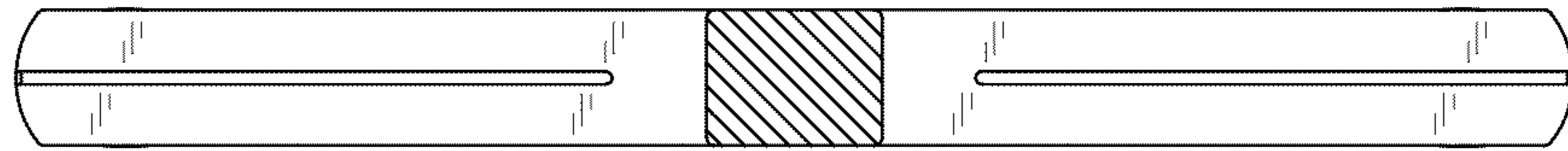
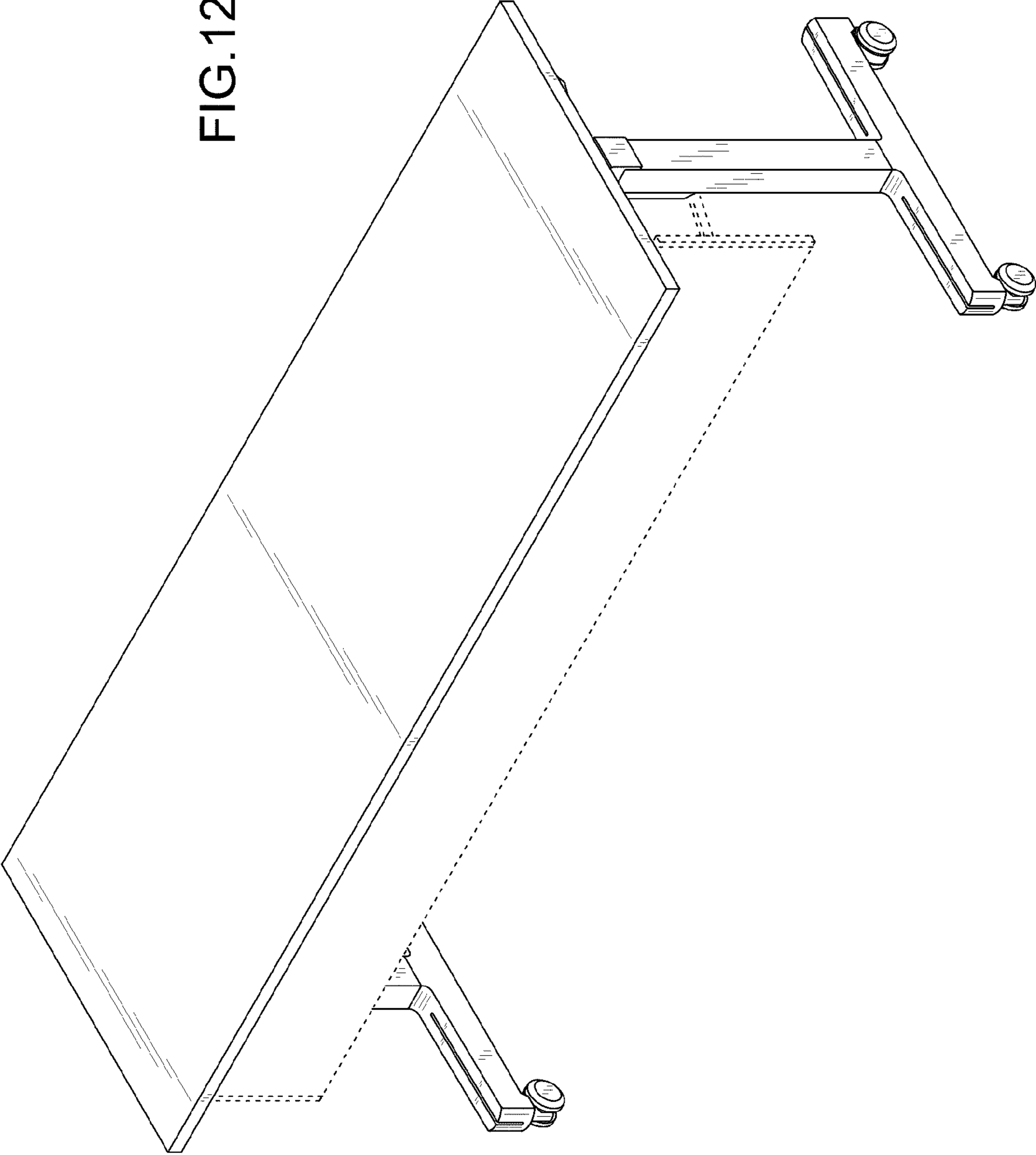
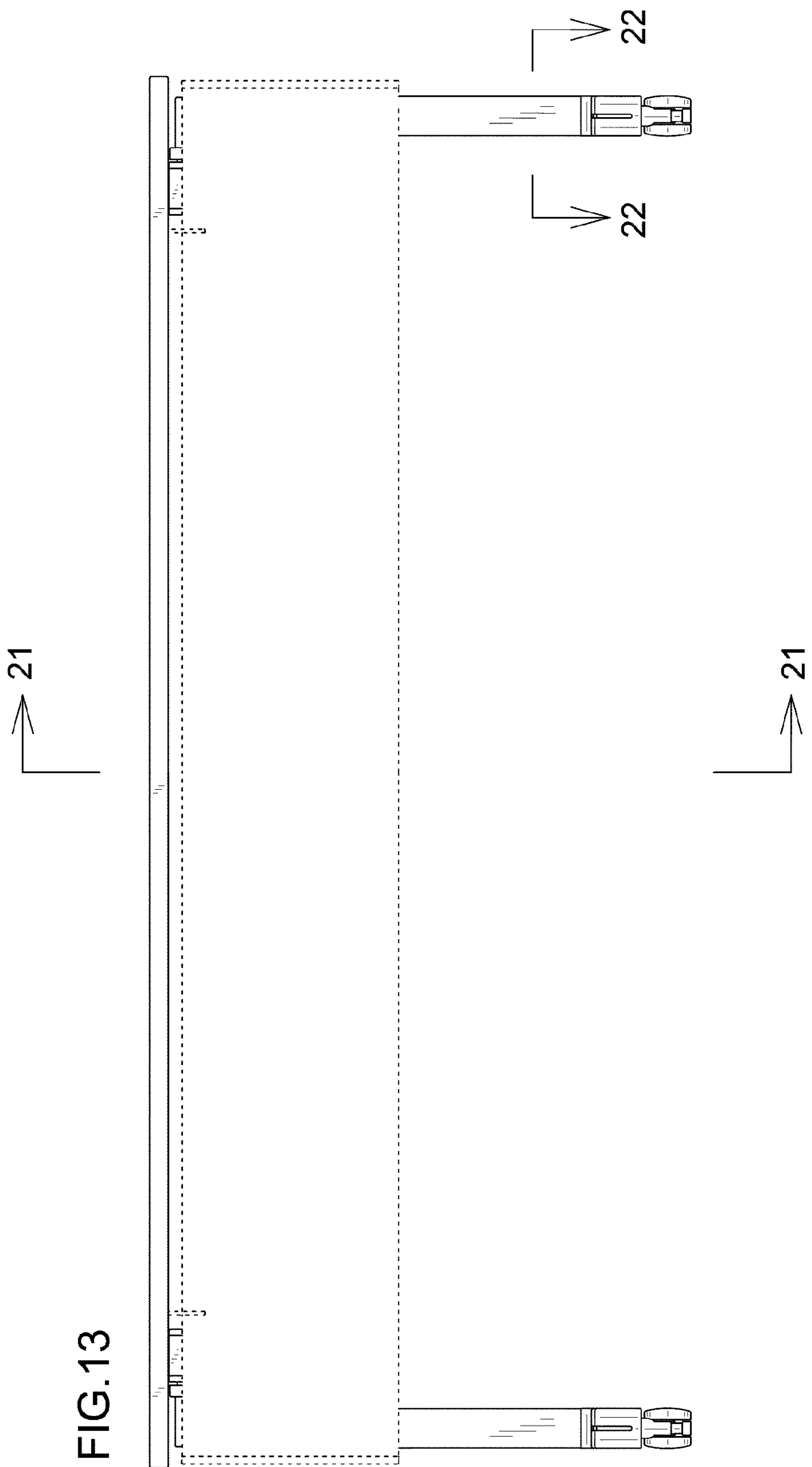


FIG.12





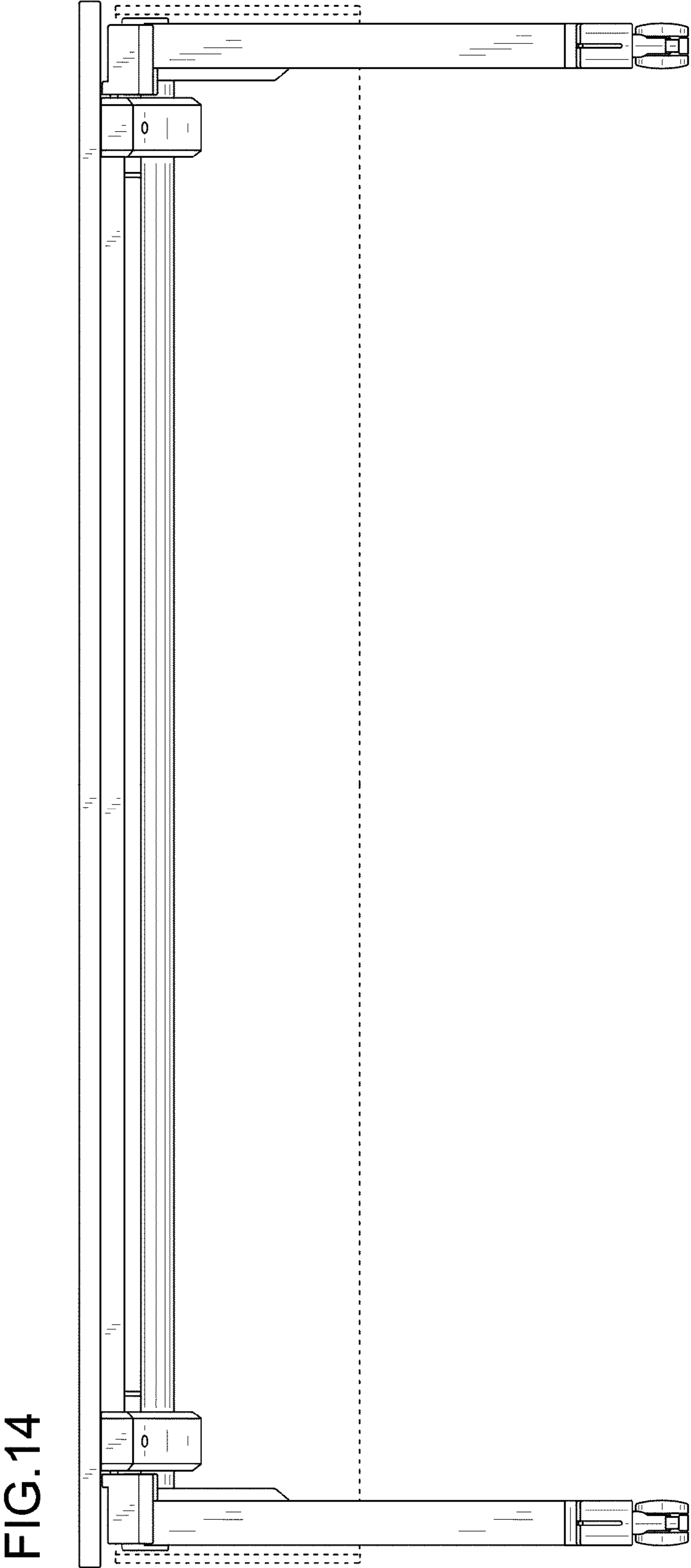


FIG.16

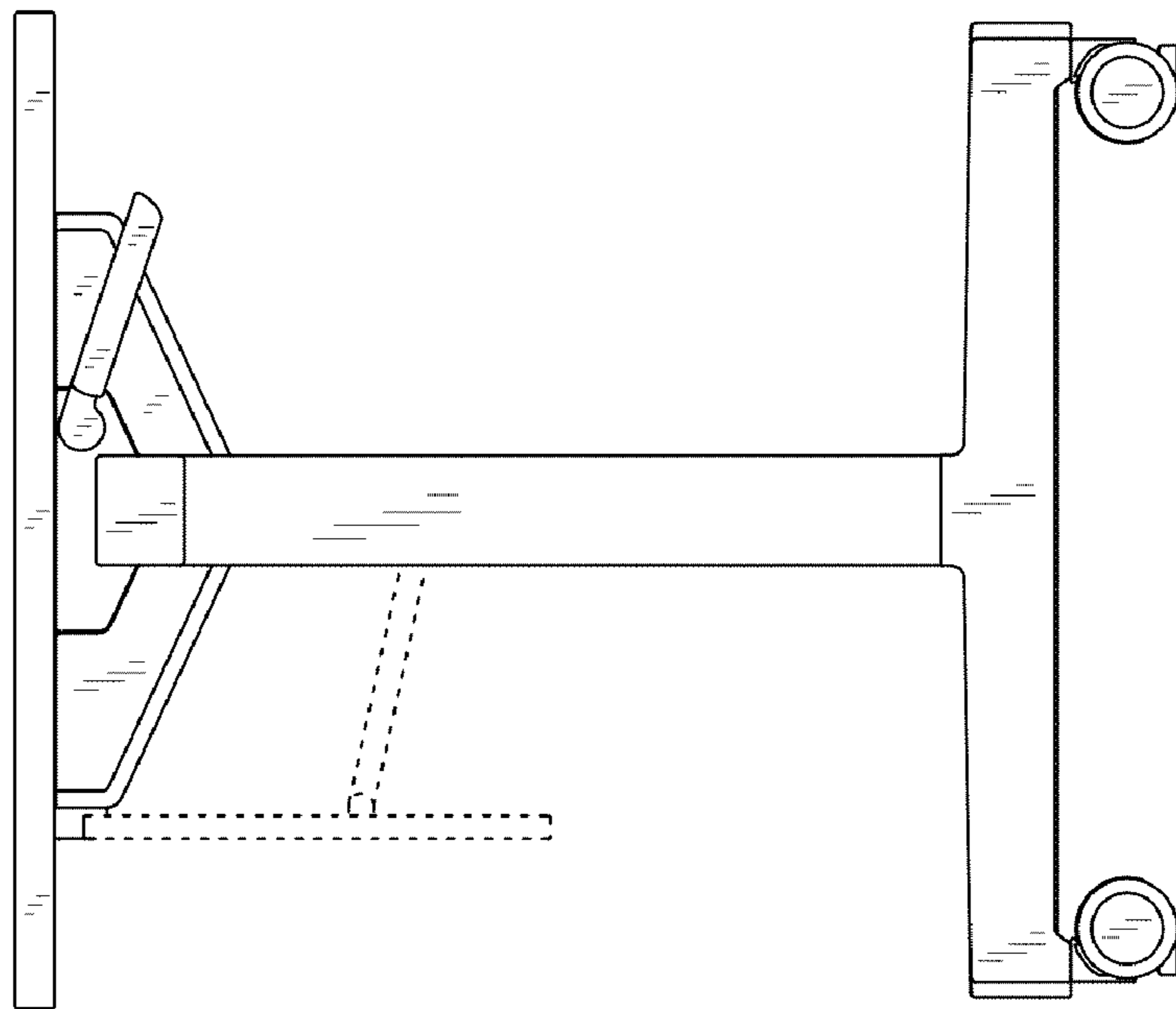


FIG.15

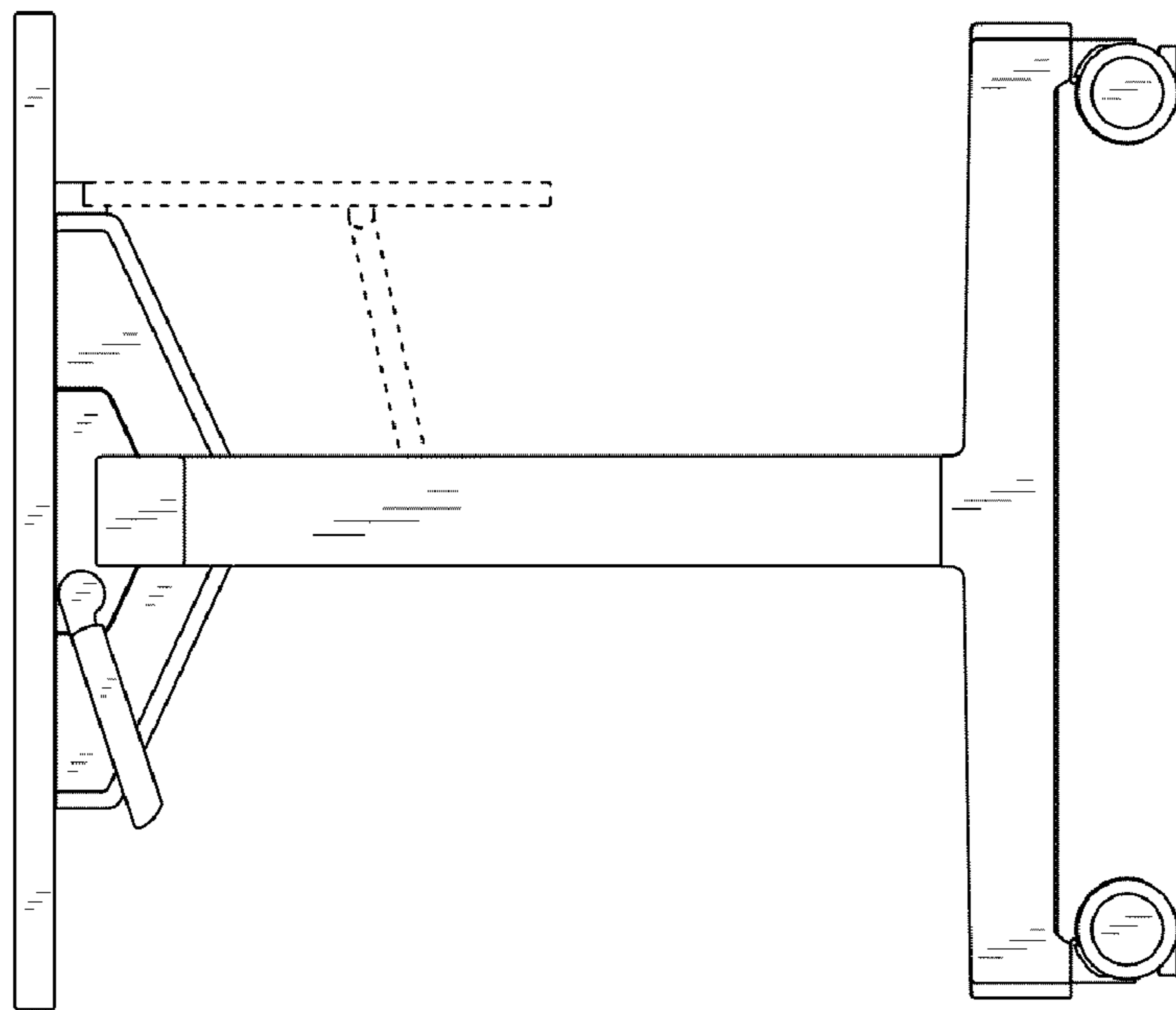


FIG.17

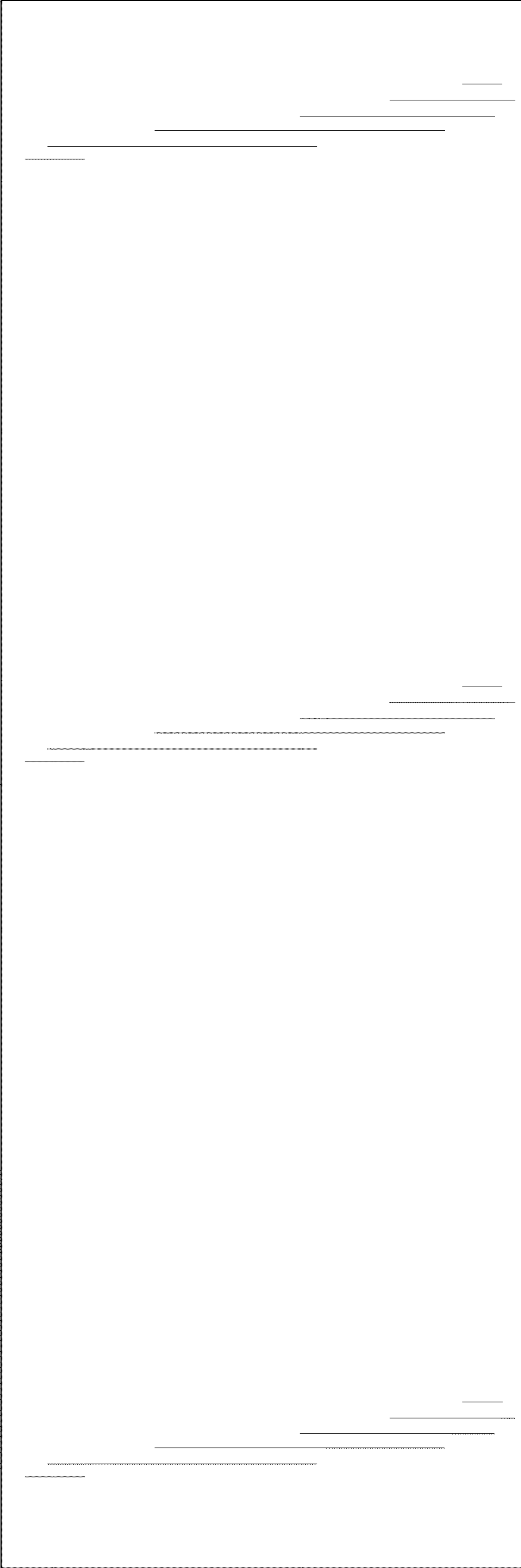
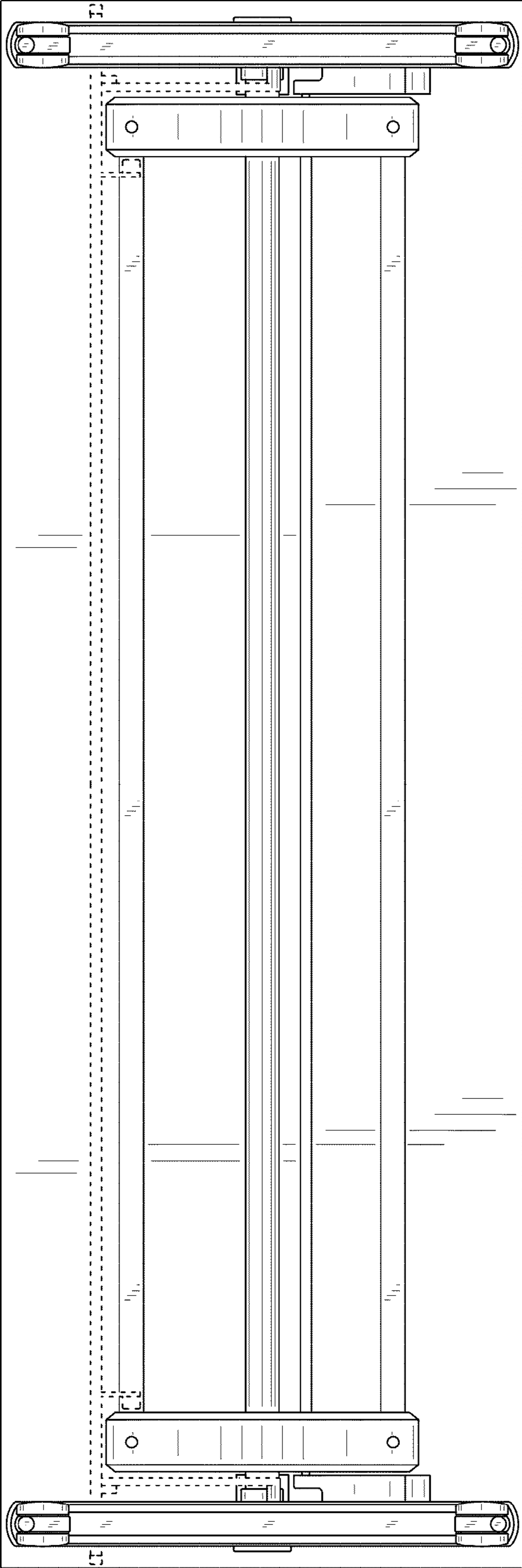


FIG.18



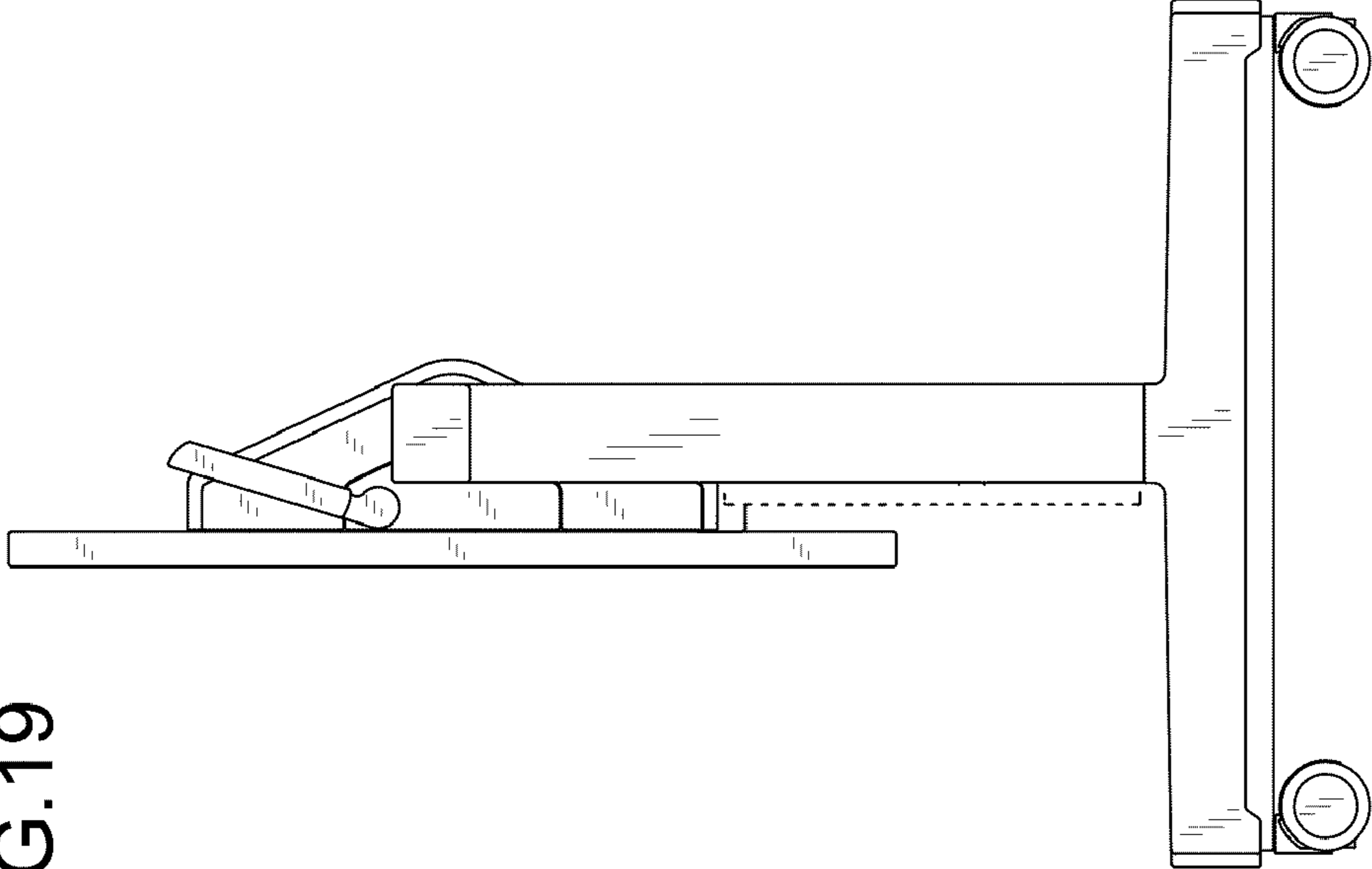


FIG.19

FIG.20

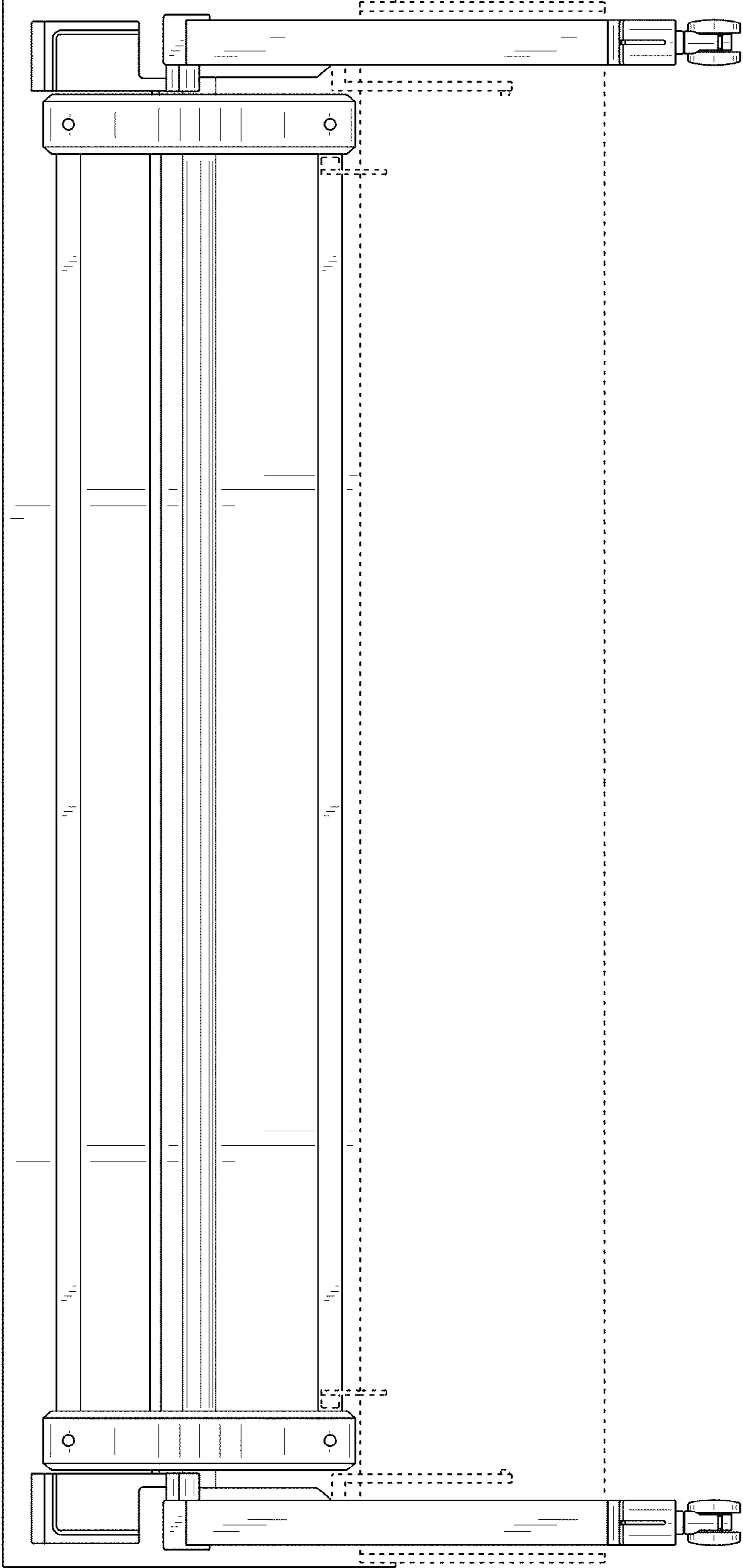


FIG.21

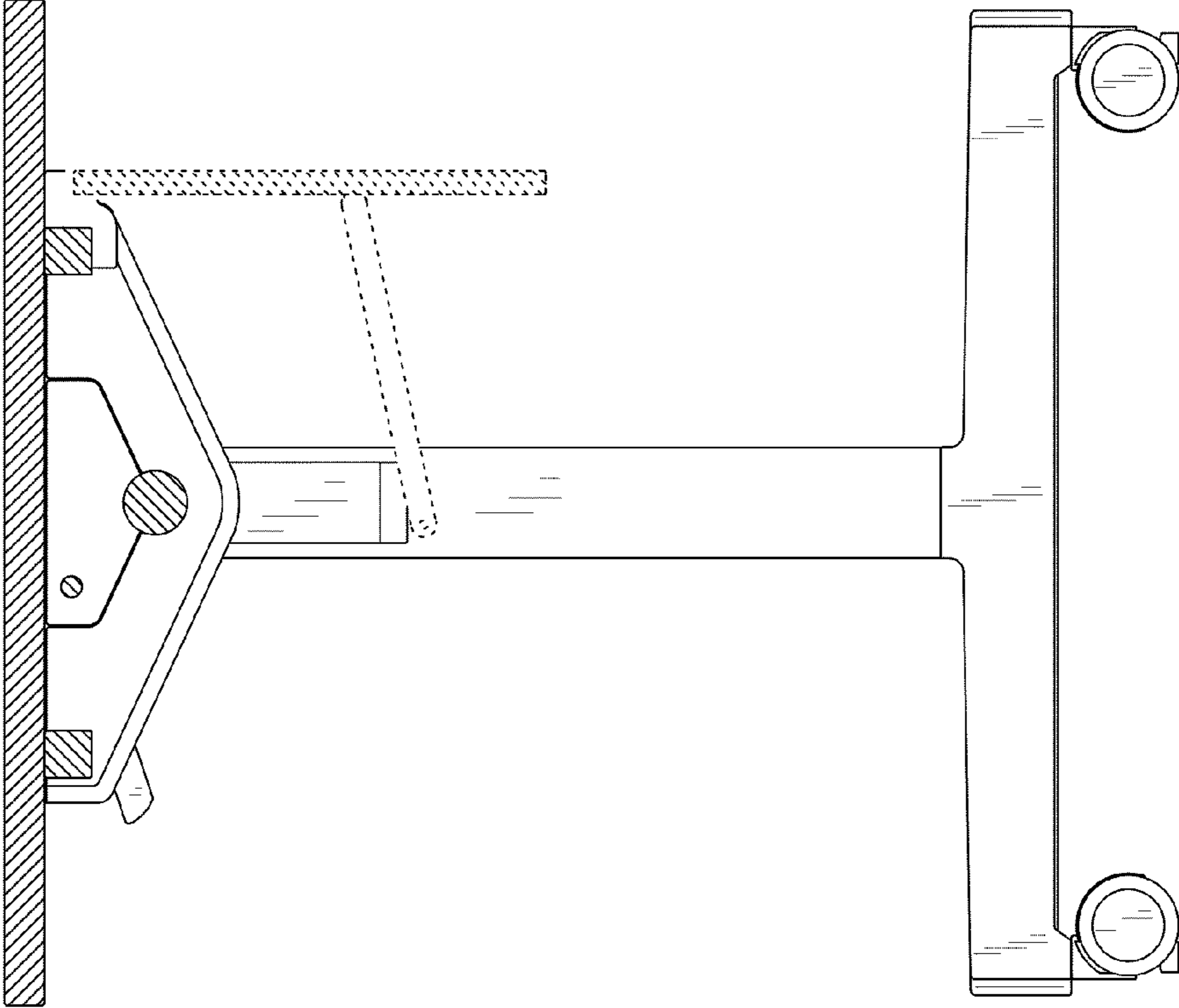


FIG.22

