



US00D644851S

(12) **United States Design Patent**
Colombo

(10) **Patent No.:** **US D644,851 S**

(45) **Date of Patent:** **** Sep. 13, 2011**

(54) **BED**

(75) **Inventor:** **Carlo Colombo**, Carimate (IT)

(73) **Assignee:** **Flou S.p.A.**, Mede (Monza Brianza) (IT)

(**) **Term:** **14 Years**

(21) **Appl. No.:** **29/366,282**

(22) **Filed:** **Jul. 22, 2010**

(30) **Foreign Application Priority Data**

Mar. 25, 2010 (IT) 001204234-0001

(51) **LOC (9) Cl.** **06-02**

(52) **U.S. Cl.** **D6/393**

(58) **Field of Classification Search** D6/382,
D6/383, 388, 393-395, 505-508, 503; 5/53.1,
5/907, 279.1, 280, 281

See application file for complete search history.

(56) **References Cited**

U.S. PATENT DOCUMENTS

D395,965 S * 7/1998 Hutton D6/393
D525,804 S * 8/2006 Schwartz D6/393
D545,078 S * 6/2007 Jourdan D6/393

* cited by examiner

Primary Examiner — Janice Seeger

(74) *Attorney, Agent, or Firm* — Lucas & Metcanti, LLP

(57) **CLAIM**

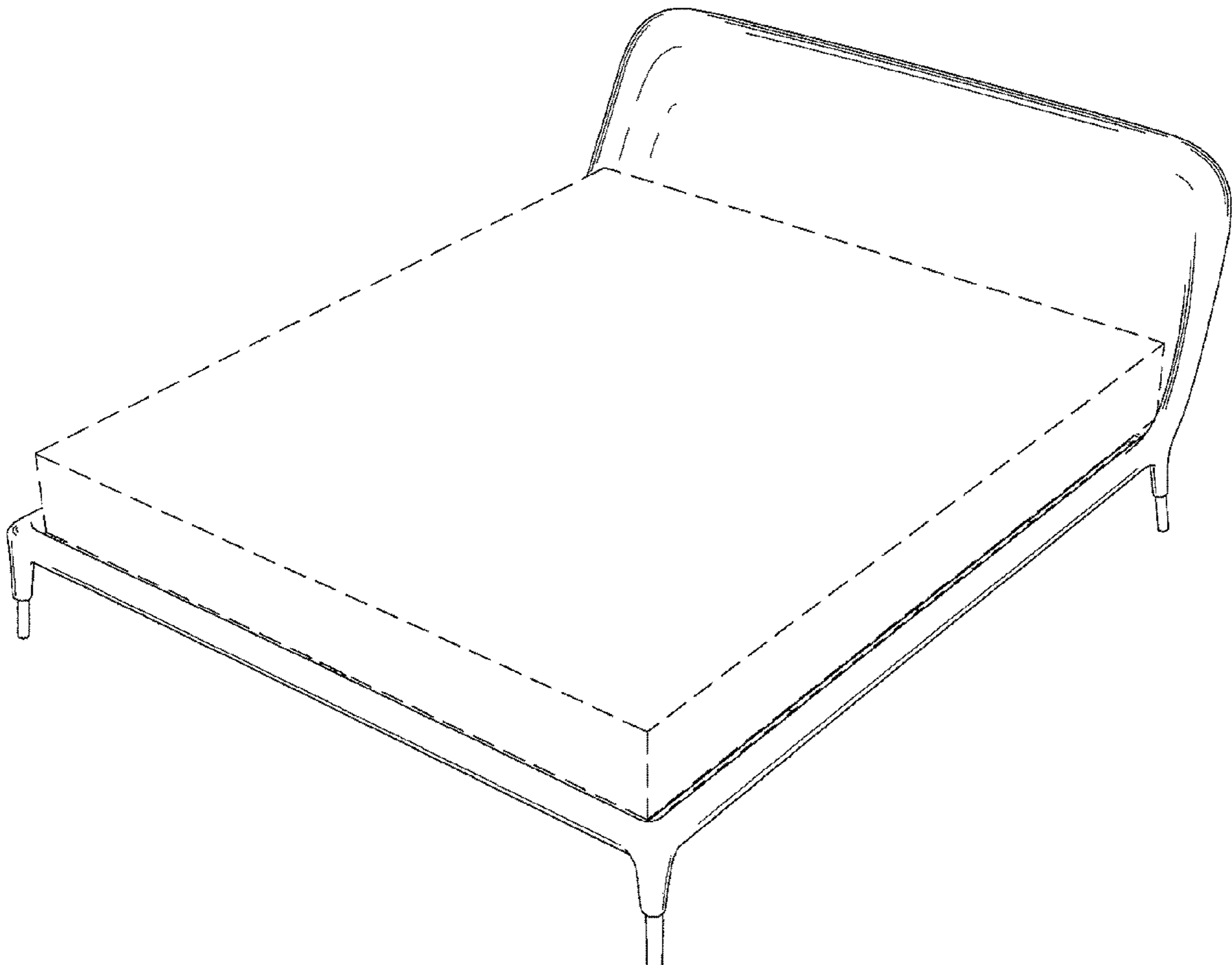
The ornamental design for a bed, as shown and described.

DESCRIPTION

FIG. 1 is a perspective view of a bed showing my new design;
FIG. 2 is a top view thereof;
FIG. 3 is a front view thereof;
FIG. 4 is a rear view thereof;
FIG. 5 is a left side view thereof; and,
FIG. 6 is a right side view thereof.

The broken lines are for ornamental purposes only and form no part of the claimed design. The bottom of the bed, which is not shown, forms no part of the claimed design.

1 Claim, 6 Drawing Sheets



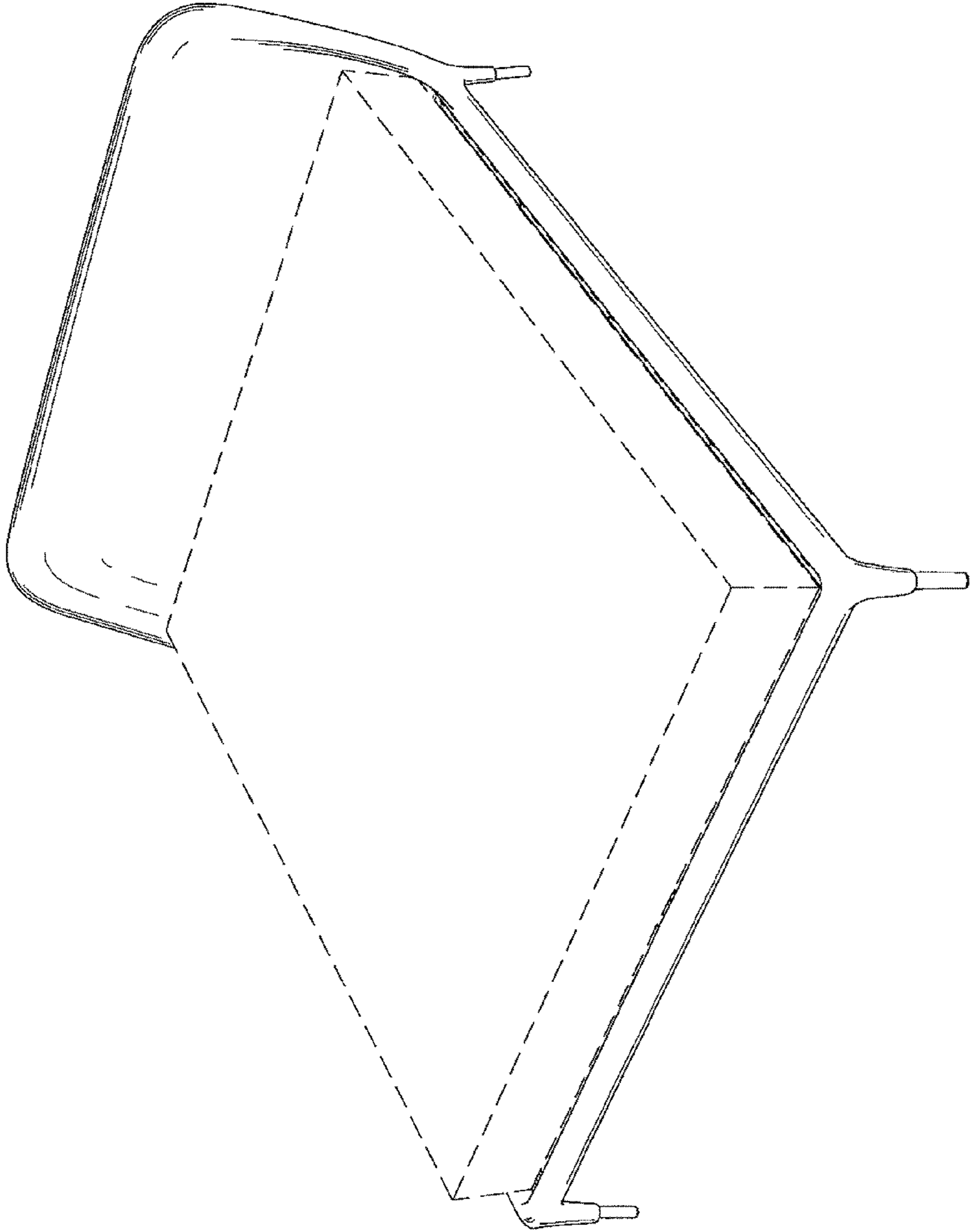


FIG 1

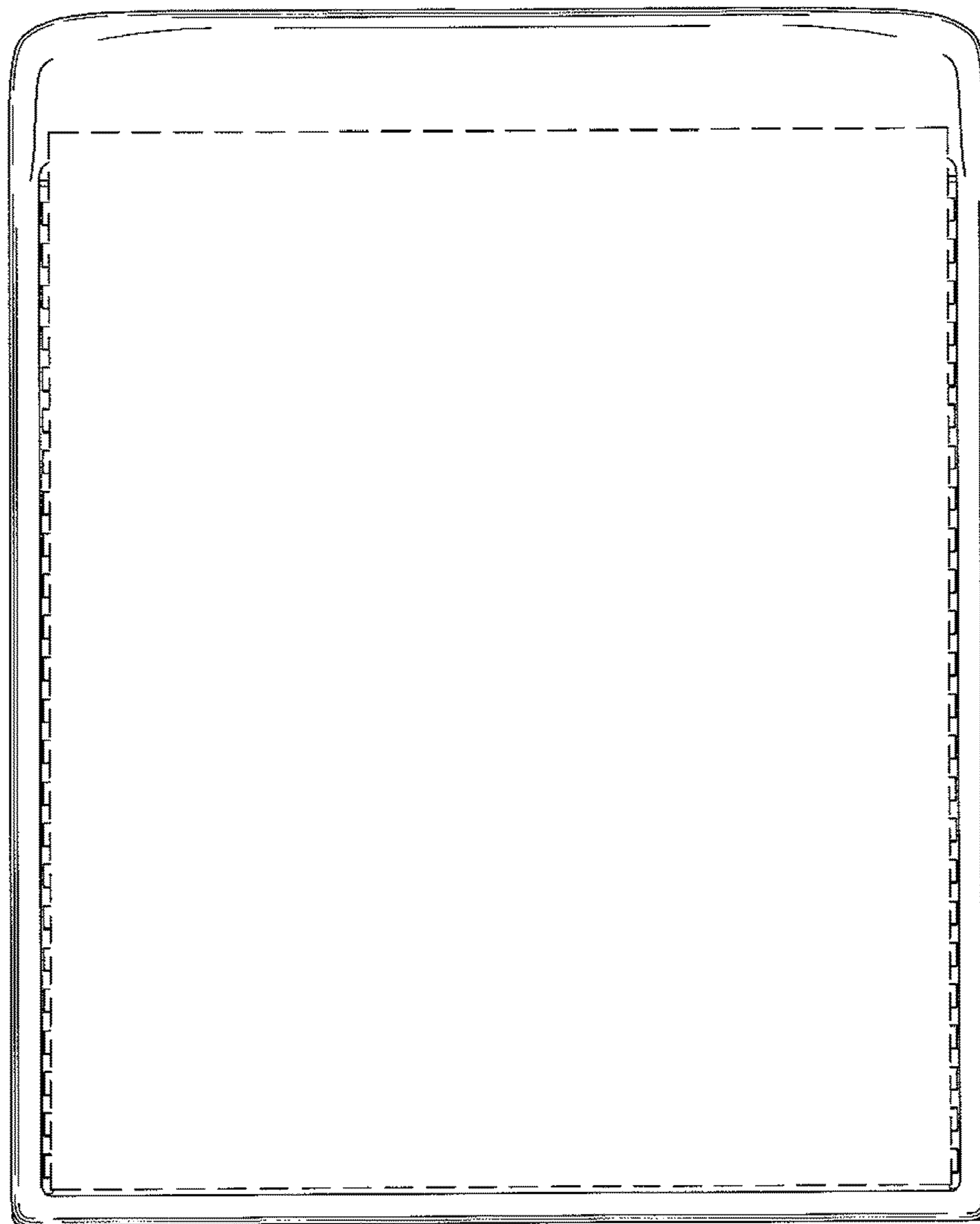


FIG 2

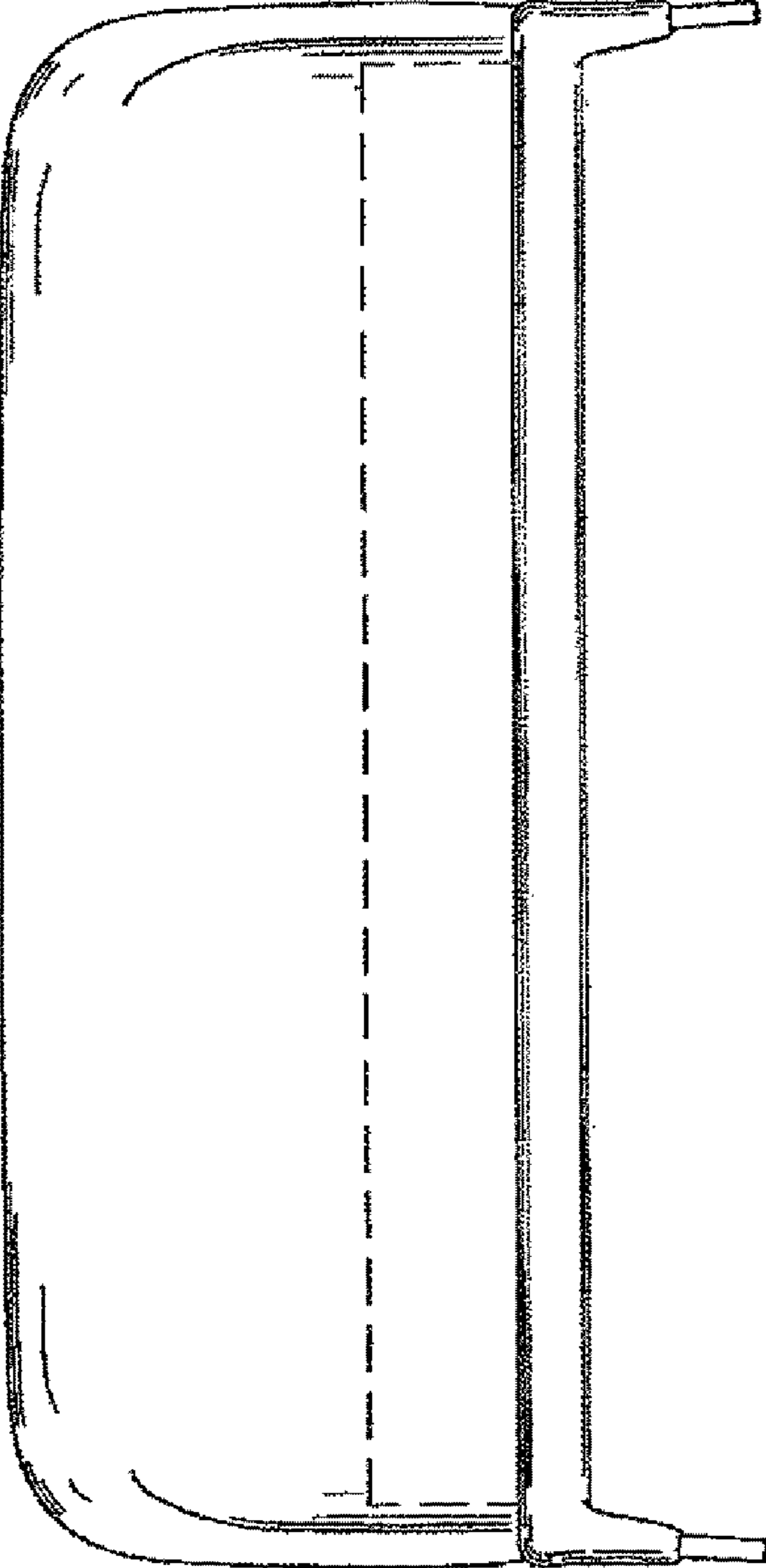


FIG 3

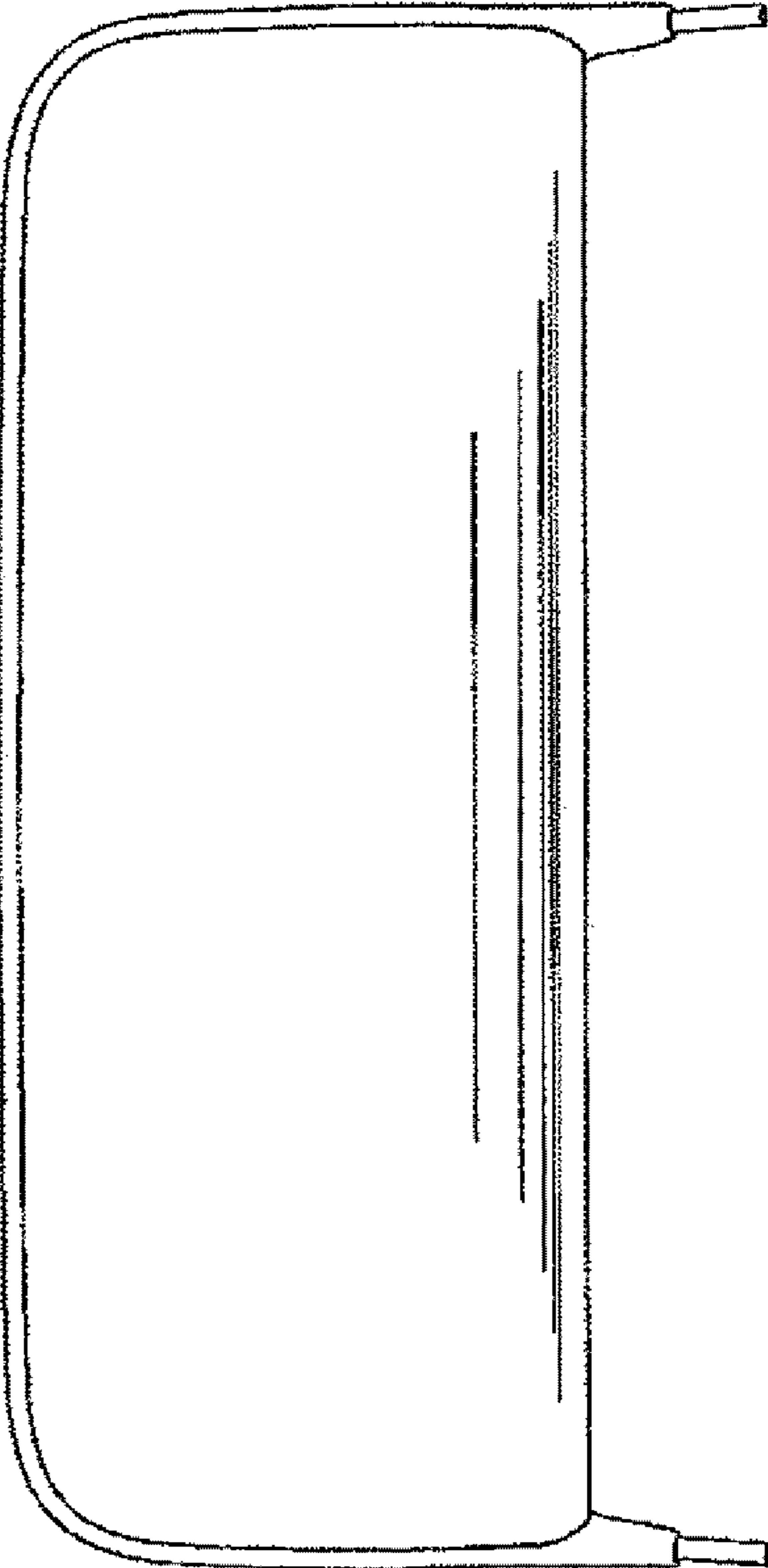


FIG 4

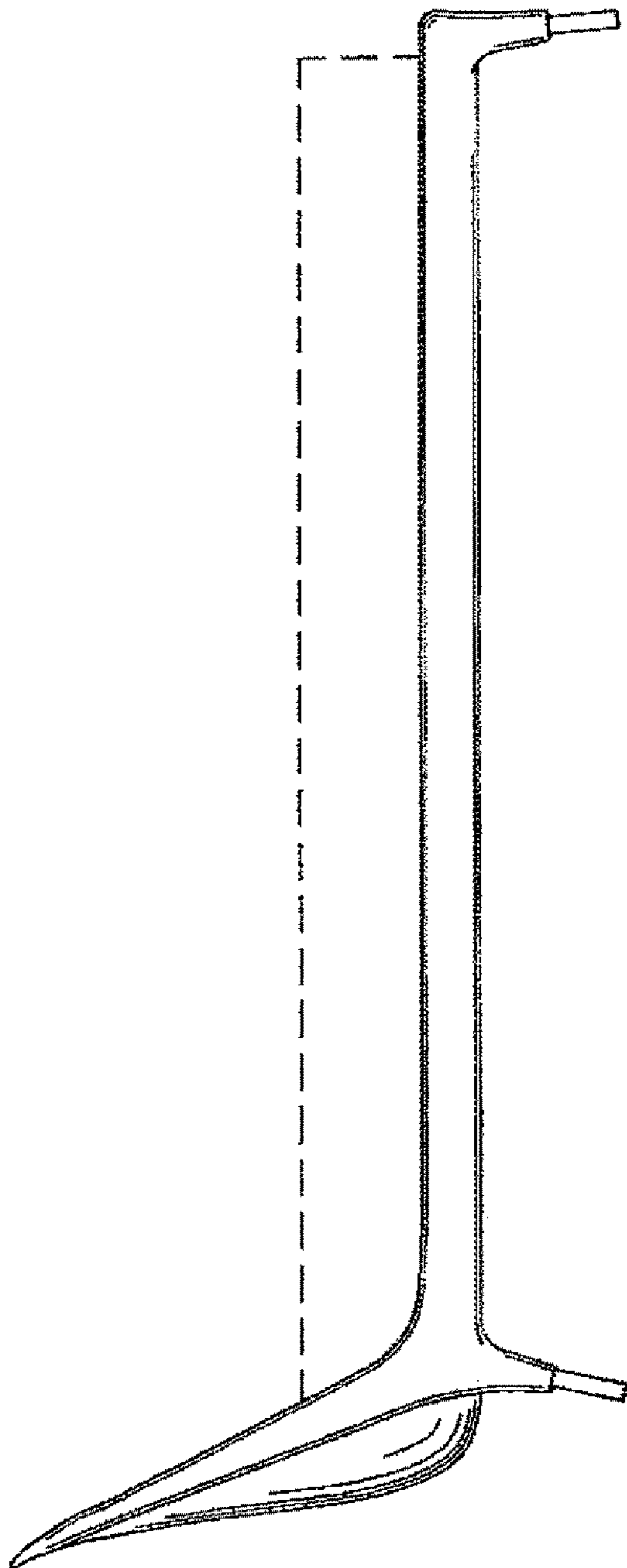


FIG 5

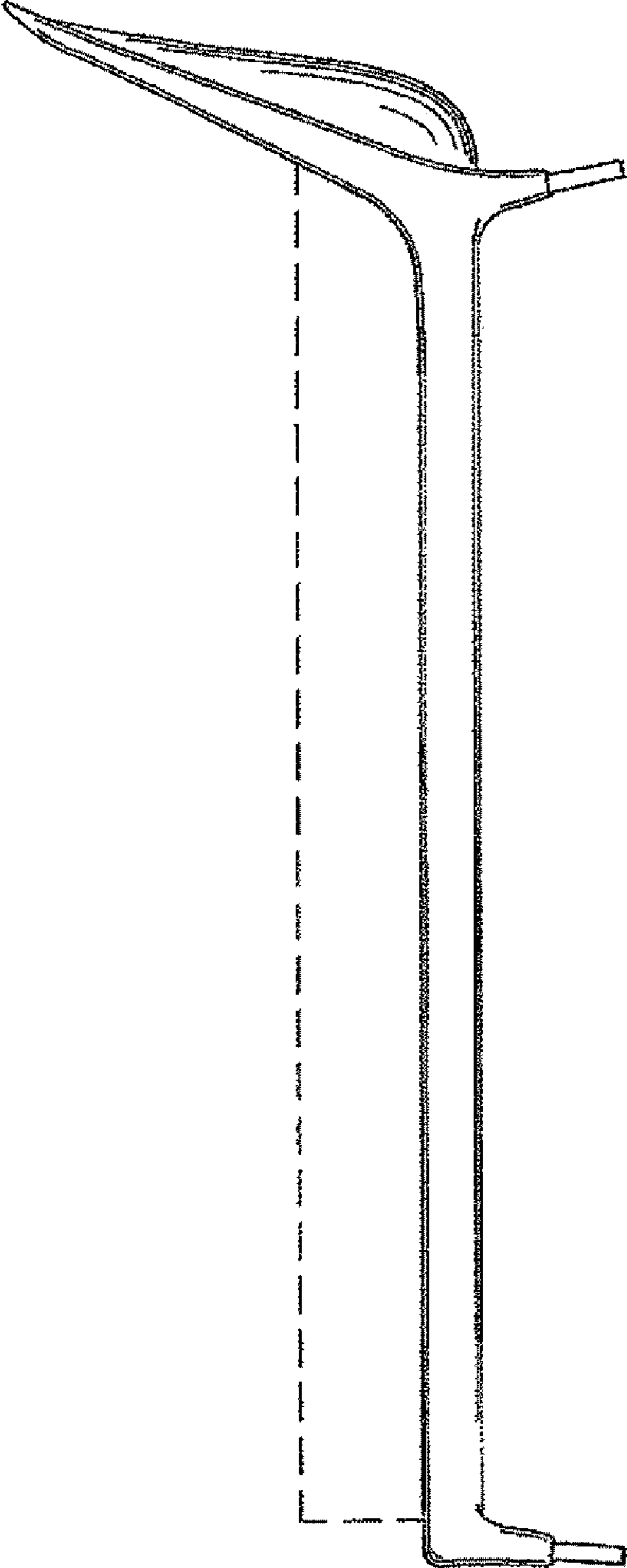


FIG 6