



US00D644845S

(12) **United States Design Patent**  
**Brady**

(10) **Patent No.:** **US D644,845 S**

(45) **Date of Patent:** **\*\* Sep. 13, 2011**

(54) **CLOTHES HANGER**

(76) Inventor: **Mark Brady**, Eagle Lake, FL (US)

(\*\*) Term: **14 Years**

(21) Appl. No.: **29/375,416**

(22) Filed: **Sep. 22, 2010**

(51) **LOC (9) Cl.** ..... **06-08**

(52) **U.S. Cl.** ..... **D6/319**

(58) **Field of Classification Search** ..... D6/315-328;  
211/13.1, 85, 85.29, 85.31, 86.01, 119.01,  
211/123, 124, 181.1; 223/85-98, DIG. 3  
See application file for complete search history.

D340,137 S \* 10/1993 Tocci ..... D6/317  
5,381,938 A \* 1/1995 Vasudeva ..... 223/85  
D481,545 S \* 11/2003 Strouts ..... D6/317  
D507,705 S \* 7/2005 Abdi et al. .... D6/319

\* cited by examiner

*Primary Examiner* — Prabhakar Deshmukh

(74) *Attorney, Agent, or Firm* — Greenberg Traurig LLP

(57) **CLAIM**

The ornamental design for a clothes hanger, as shown and described.

**DESCRIPTION**

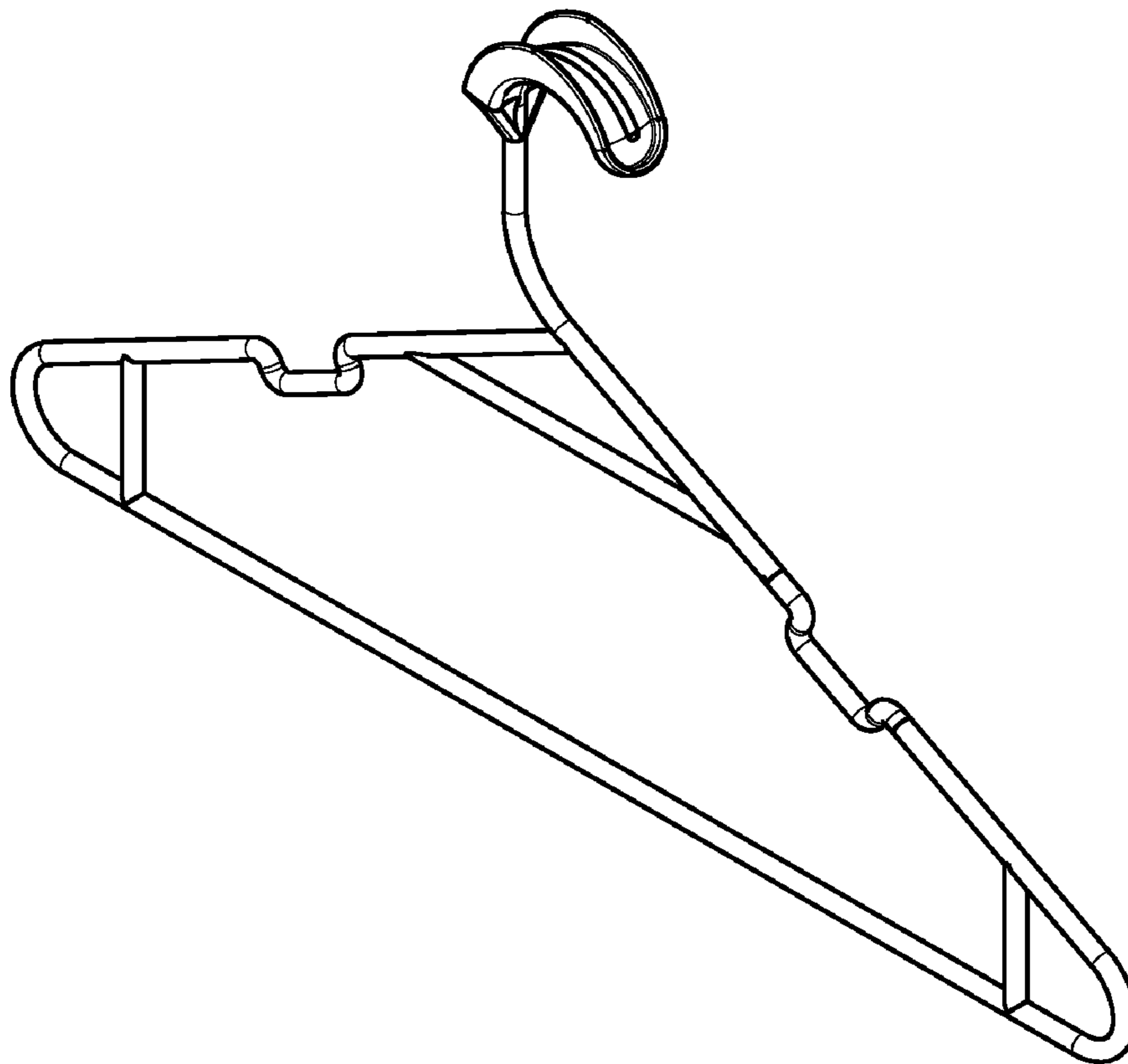
FIG. 1 is a perspective view of a clothes hanger showing my new design;  
FIG. 2 is another perspective view thereof;  
FIG. 3 is a top plan view thereof;  
FIG. 4 is a bottom plan view thereof;  
FIG. 5 is a front elevational view thereof;  
FIG. 6 is a left side elevational view thereof; and,  
FIG. 7 is a right side elevational view thereof.

**1 Claim, 3 Drawing Sheets**

(56) **References Cited**

U.S. PATENT DOCUMENTS

D140,337 S *	2/1945	Hill	.....	D6/319
2,656,077 A *	10/1953	Gensky et al.	.....	223/91
2,875,932 A *	3/1959	Scott	.....	223/91
3,124,284 A *	3/1964	Collum	.....	223/98
4,382,531 A *	5/1983	Bisk et al.	.....	223/91
D290,190 S *	6/1987	Stolarz	.....	D6/319
4,673,114 A *	6/1987	Douglas	.....	223/89
5,078,307 A *	1/1992	Suddath	.....	223/92



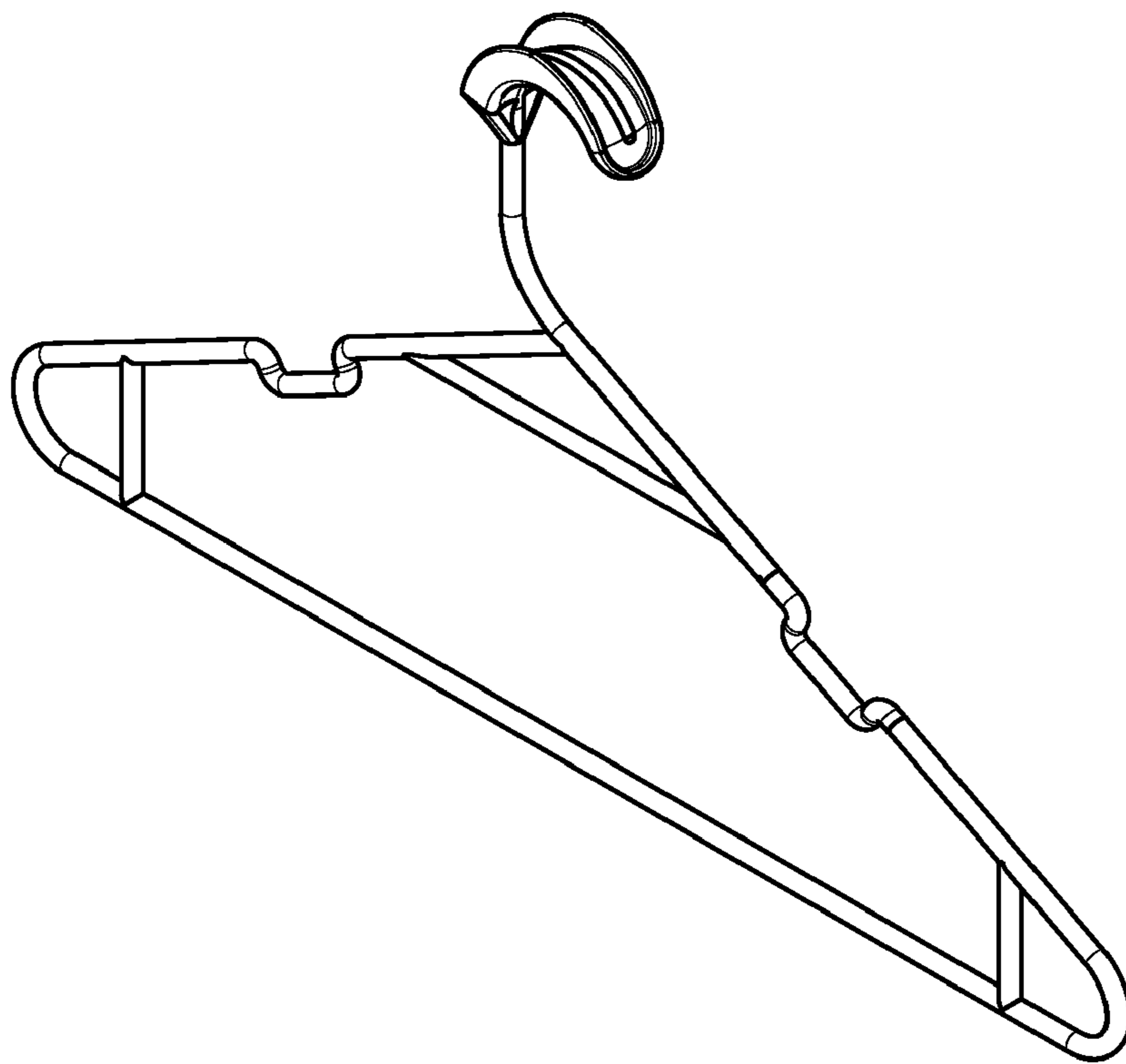


FIG. 1

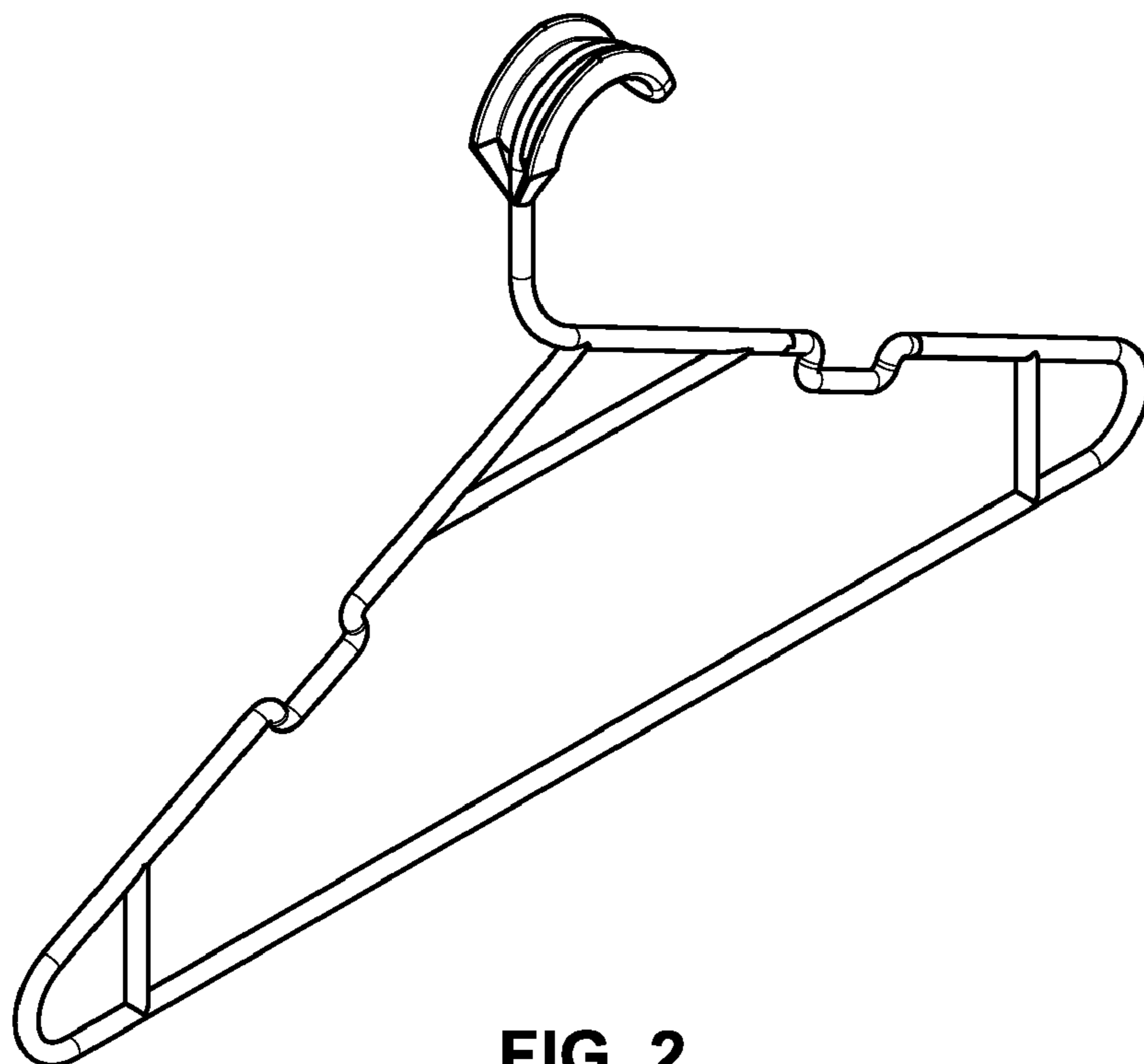


FIG. 2



FIG. 3

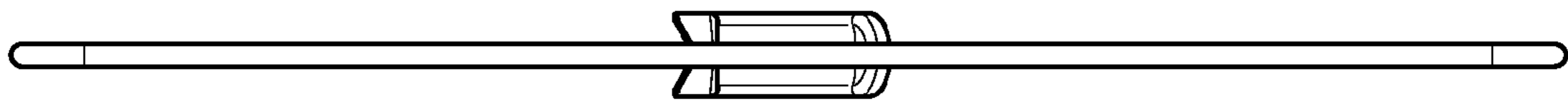


FIG. 4

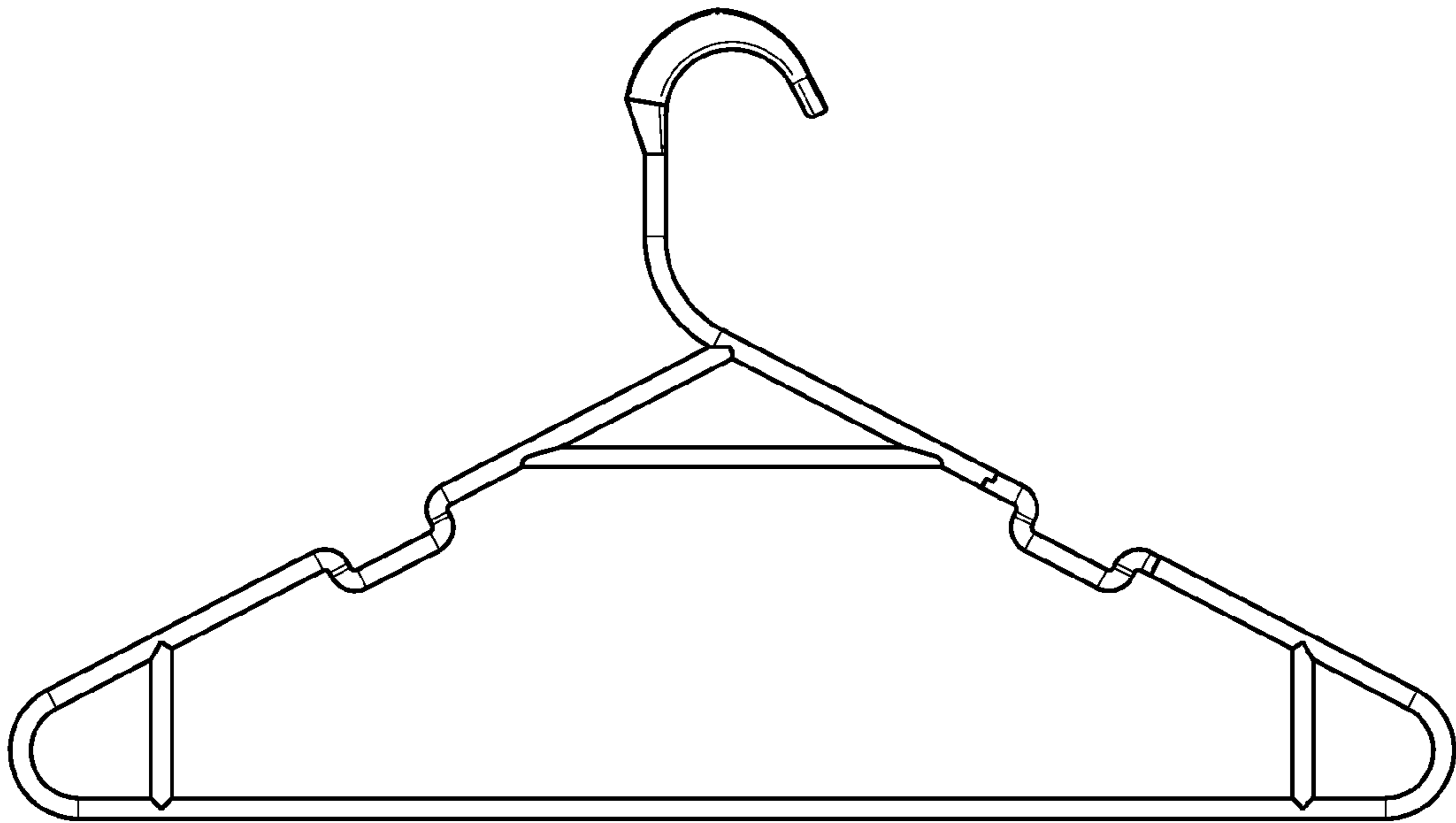
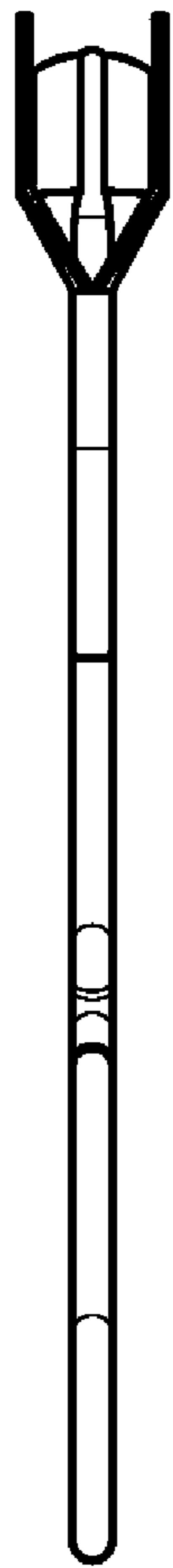
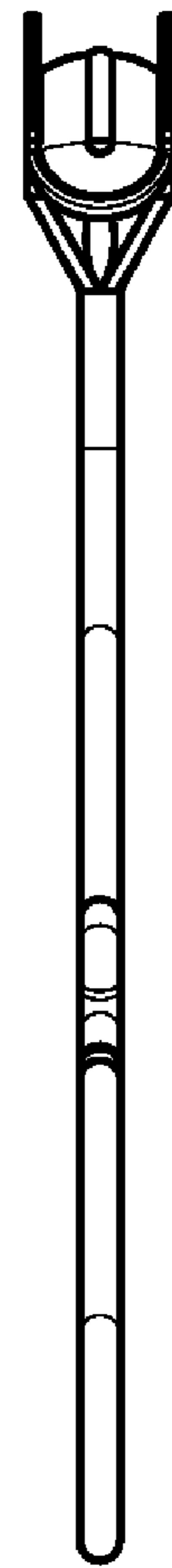


FIG. 5



**FIG. 6**



**FIG. 7**