



US00D644839S

(12) **United States Design Patent**  
**Pitts**

(10) **Patent No.:** **US D644,839 S**

(45) **Date of Patent:** **\*\* Sep. 13, 2011**

(54) **PORTABLE CHUCK BOX**

(76) Inventor: **Neal W. Pitts**, Leakey, TX (US)

(\*\*) Term: **14 Years**

(21) Appl. No.: **29/369,553**

(22) Filed: **Sep. 10, 2010**

(51) **LOC (9) Cl.** ..... **03-01**

(52) **U.S. Cl.** ..... **D3/295**

(58) **Field of Classification Search** ..... D3/294–295,  
D3/302, 272–273, 276; D7/609; 206/4.01,  
206/508, 278

See application file for complete search history.

(56) **References Cited**

**U.S. PATENT DOCUMENTS**

D161,771 S *	1/1951	Lumley .....	D7/609
D220,449 S *	4/1971	Davis .....	D7/609
D235,036 S *	4/1975	Kuramochi .....	D3/269
5,433,140 A *	7/1995	Ogee .....	99/451
D439,739 S *	4/2001	Murphy .....	D3/272
D630,015 S *	1/2011	Weng et al. ....	D3/276

\* cited by examiner

*Primary Examiner* — Holly Baynham

(74) *Attorney, Agent, or Firm* — Grady K. Bergen; Griggs Bergen LLP

(57) **CLAIM**

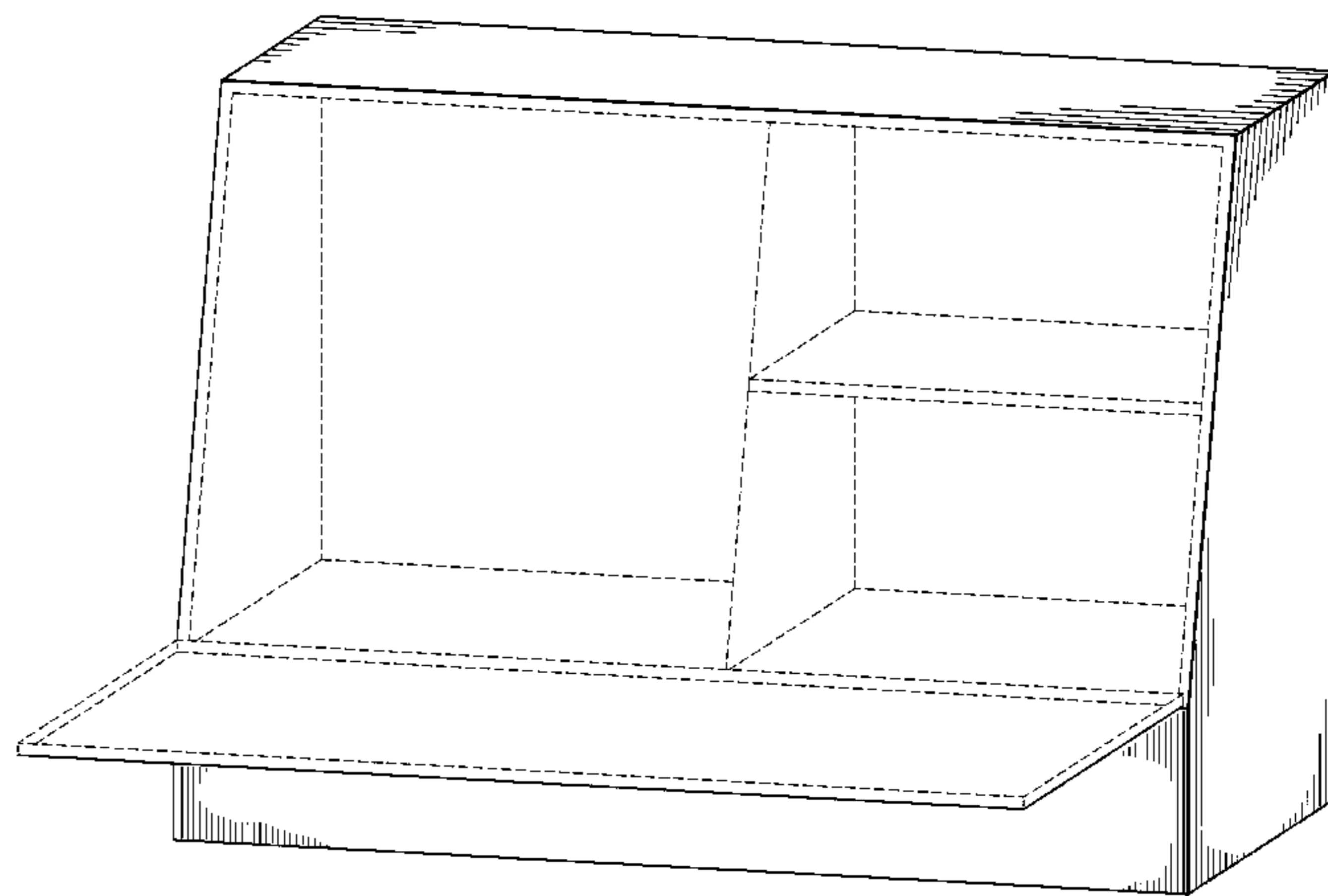
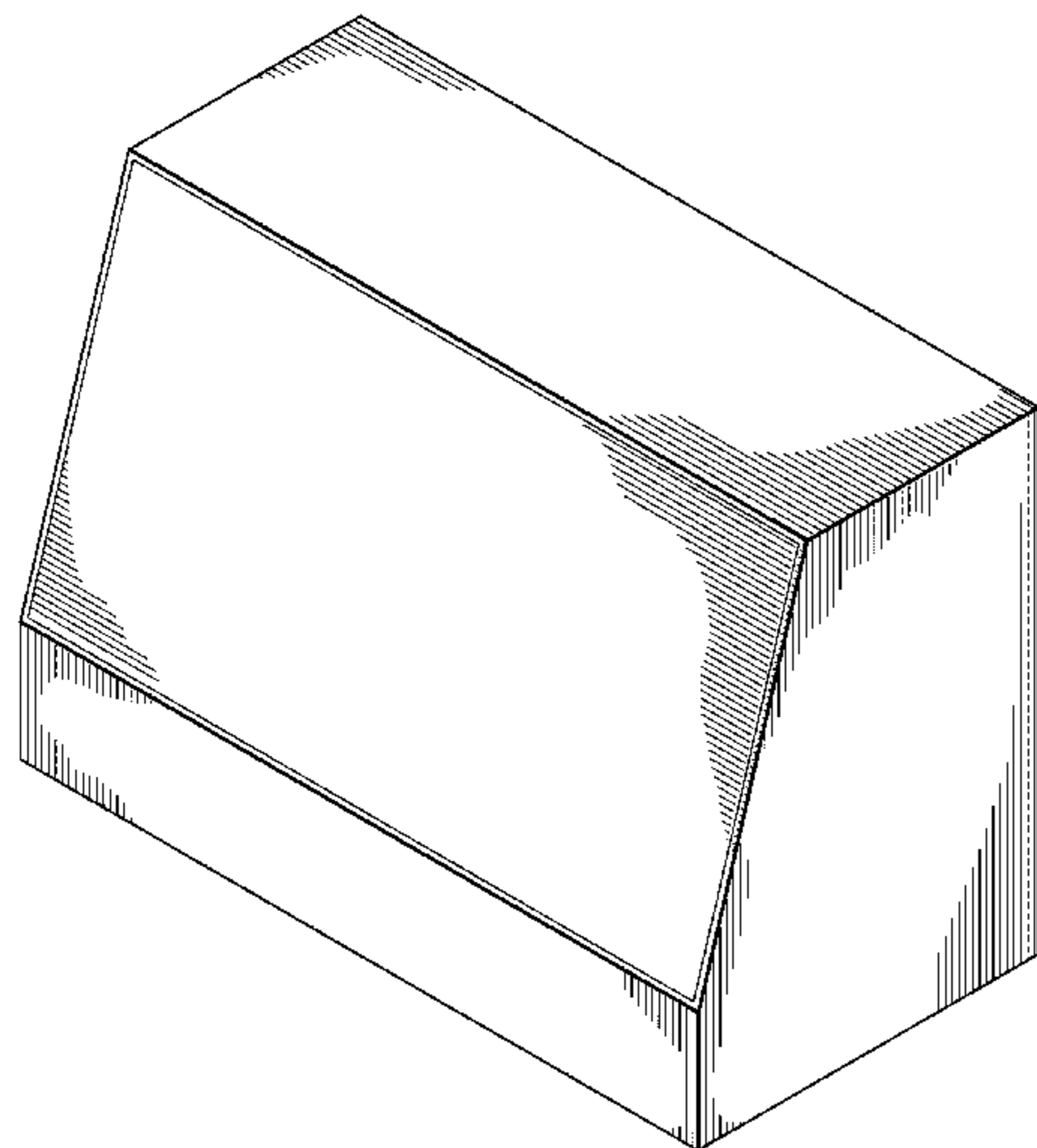
The ornamental design for a portable chuck box, as shown and described.

**DESCRIPTION**

FIG. 1 is a front perspective view of a portable chuck box; FIG. 2 is a front elevational view of the portable chuck box of FIG. 1; FIG. 3 is a right elevational side view of the portable chuck box of FIG. 1; FIG. 4 is a top plan view view of the portable chuck box of FIG. 1; FIG. 5 is a left elevational side view of the portable chuck box of FIG. 1; and, FIG. 6 is a front perspective view of the portable chuck box of FIG. 1, shown with a front door of the chuck box in an open position.

The broken lines are included for the purpose of illustrating portions of the chuck box that form no part of the claimed design.

**1 Claim, 4 Drawing Sheets**



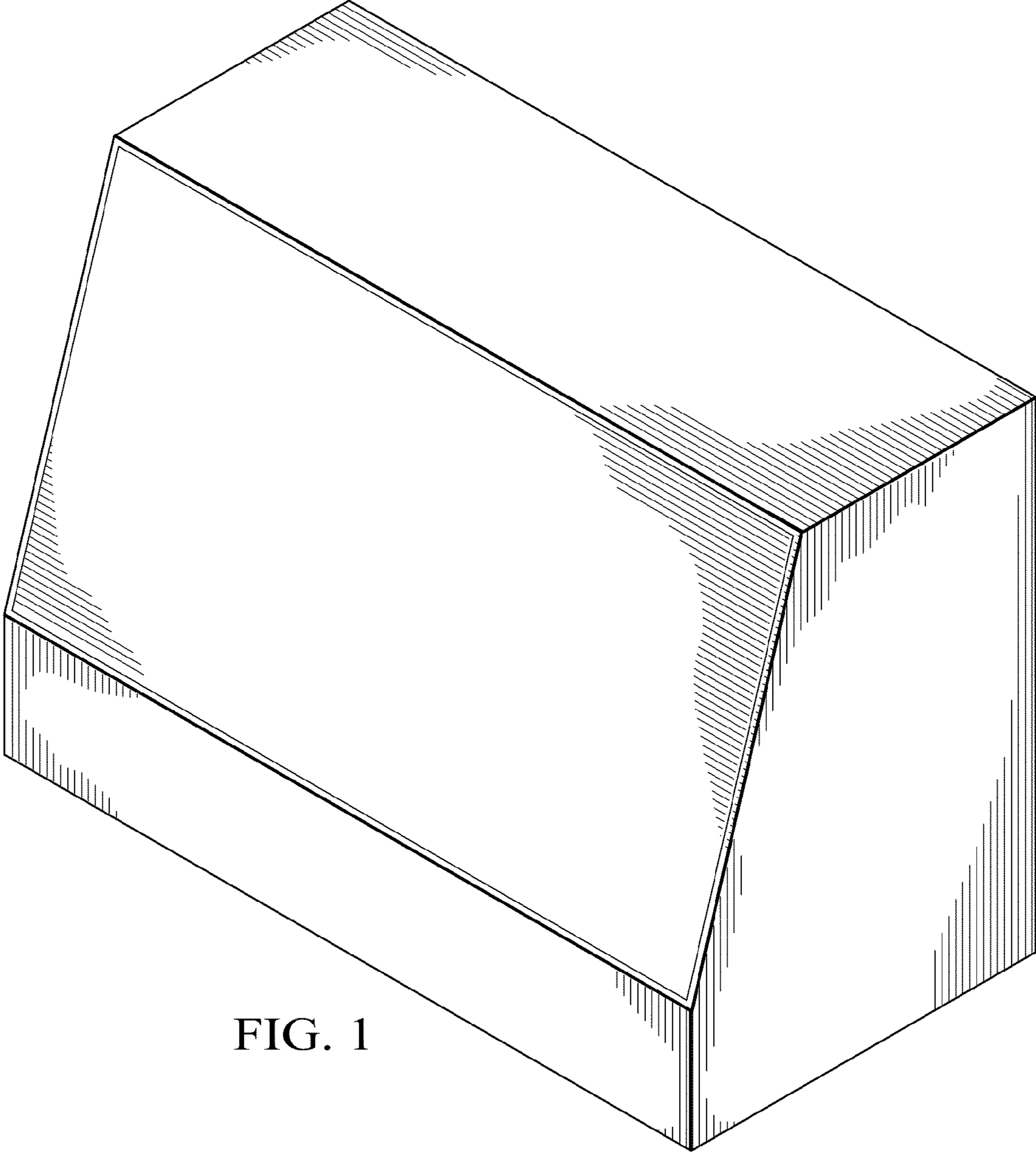


FIG. 1

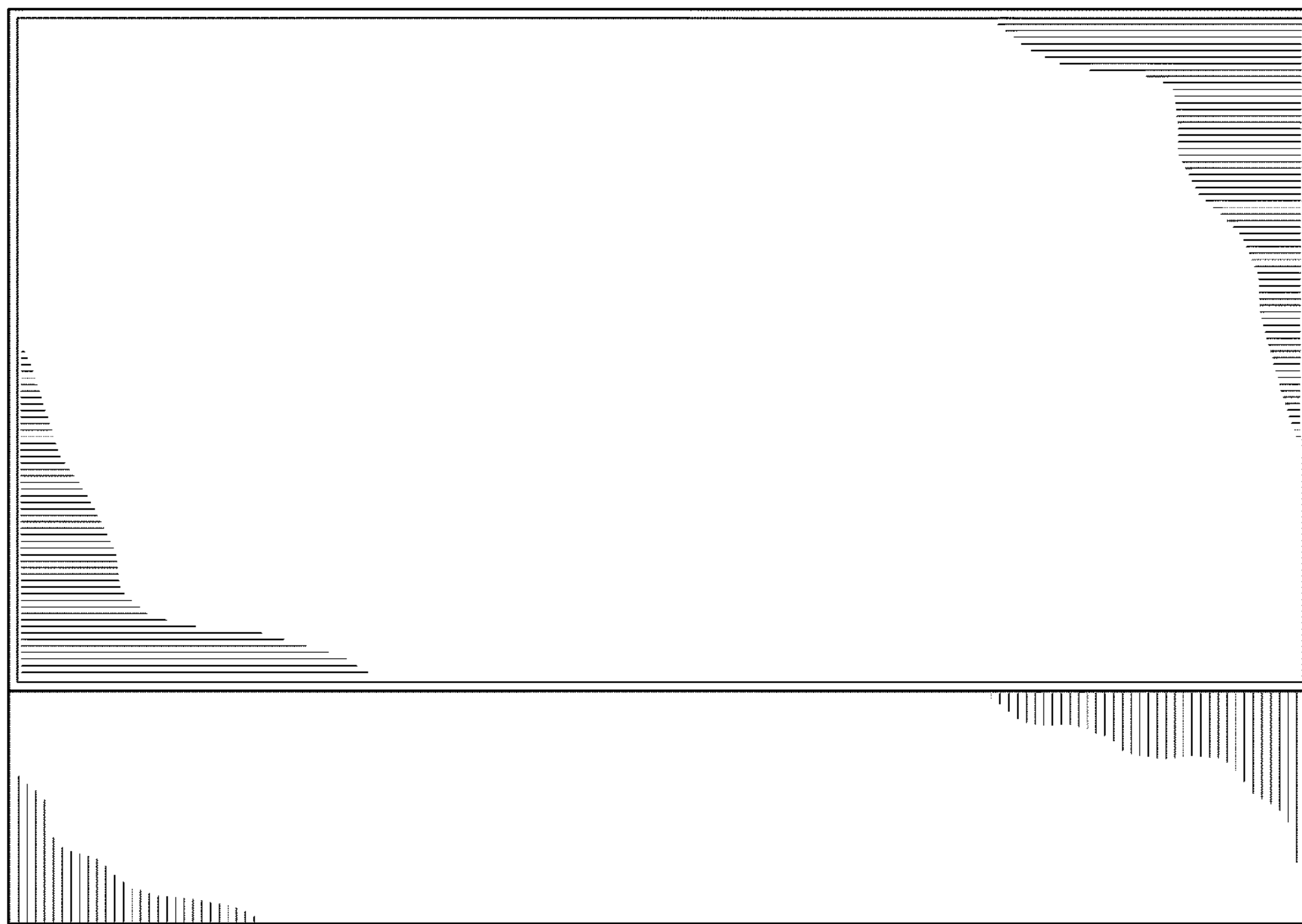


FIG. 2

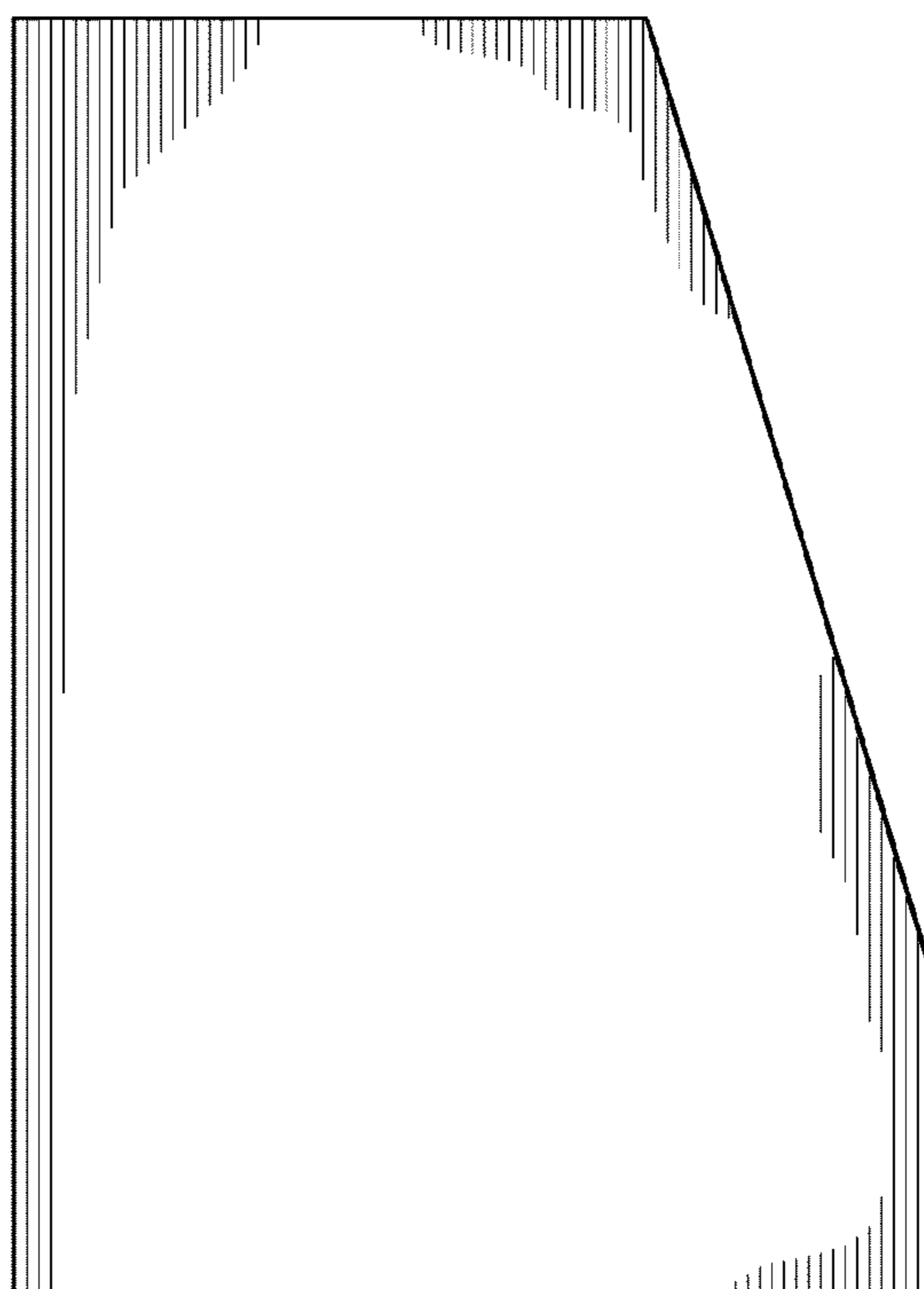


FIG. 3



FIG. 4

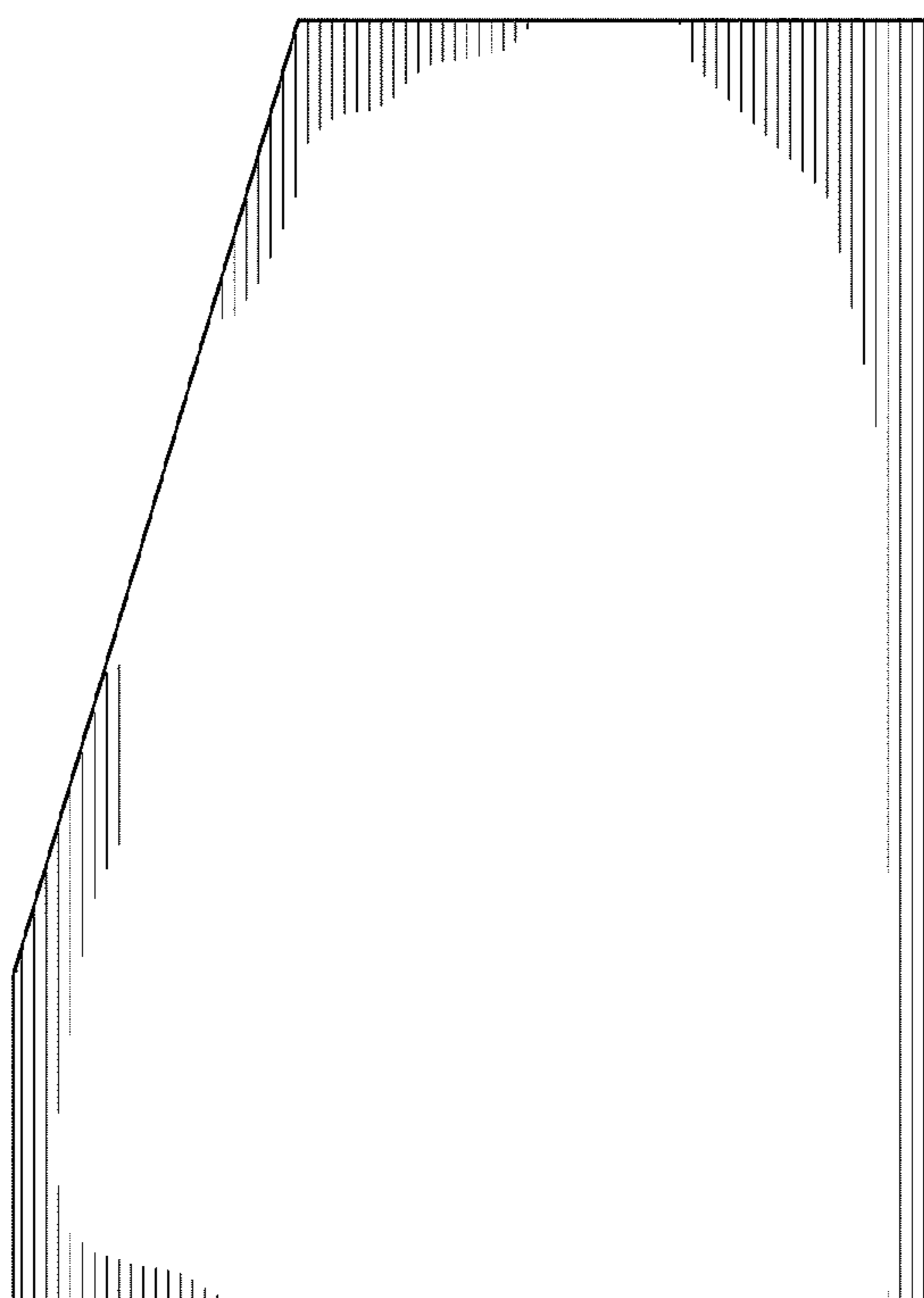


FIG. 5

FIG. 6

