



US00D644832S

(12) **United States Design Patent**
Patzak

(10) **Patent No.:** **US D644,832 S**

(45) **Date of Patent:** **** Sep. 13, 2011**

(54) **OPERATING AND CONNECTION UNIT FOR
A STANDING UMBRELLA**

Primary Examiner — Doris Clark

(74) *Attorney, Agent, or Firm* — George Pappas

(75) Inventor: **Peter K. Patzak**, Darmstadt (DE)

(57) **CLAIM**

(73) Assignee: **Glatz AG**, Frauenfeld (CH)

I claim the ornamental design of an operating and connection unit for a standing umbrella, as shown and described.

(**) Term: **14 Years**

DESCRIPTION

(21) Appl. No.: **29/348,633**

(22) Filed: **Jan. 25, 2010**

(30) **Foreign Application Priority Data**

Aug. 5, 2009 (EM) 001598103-0001

(51) **LOC (9) Cl.** **03-03**

(52) **U.S. Cl.** **D3/10**

(58) **Field of Classification Search** D3/10;
135/23, 24, 33.5

See application file for complete search history.

FIG. 1 is side elevation view of an operating and connection unit embodying the design and showing, in dash lines, an umbrella stand and a standing umbrella, and showing the umbrella being supported by the operating and connection unit.

FIG. 2 is a perspective view of the operating and connection unit shown in FIG. 1.

FIG. 3 is a front elevation view of the operating and connection unit shown in FIG. 1.

FIG. 4 is a rear elevation view of the operating and connection unit shown in FIG. 1.

FIG. 5 is a right side elevation view of the operating and connection unit shown in FIG. 1; and,

FIG. 6 is a left side elevation view of the operating and connection unit shown in FIG. 1.

The solid lines of the drawings show the operating and connection unit according to Applicant's design.

The article in which the design is embodied is an operating and connection unit used for supporting a standing umbrella. The broken lines are for illustrative purposes only and form no part of the claimed design.

(56) **References Cited**

U.S. PATENT DOCUMENTS

4,685,482 A * 8/1987 Yung 135/24

D321,779 S * 11/1991 Ma D3/10

D360,522 S * 7/1995 Ko D3/10

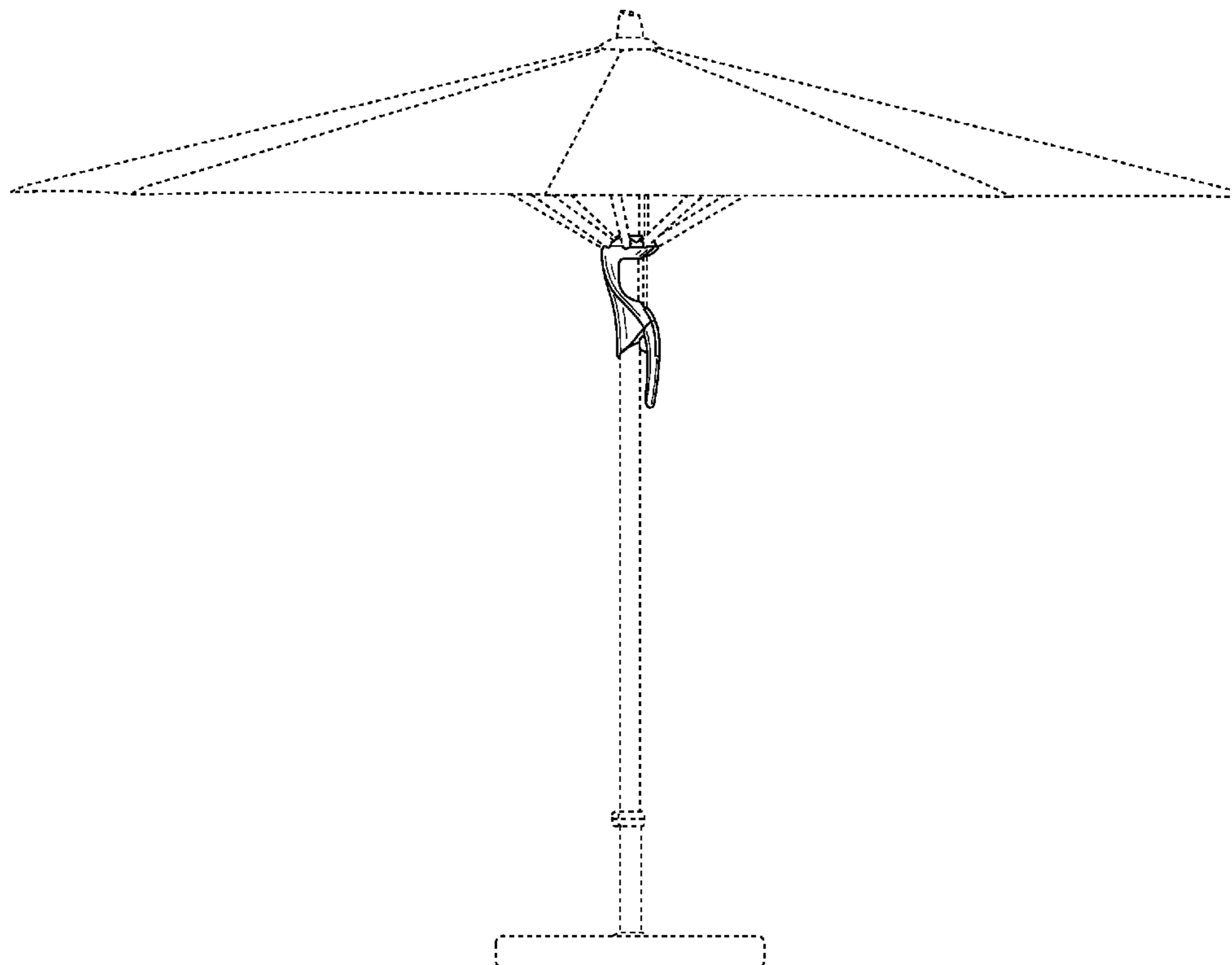
5,626,161 A * 5/1997 Lin et al. 135/24

FOREIGN PATENT DOCUMENTS

WO DM/044 957 8/1998

* cited by examiner

1 Claim, 6 Drawing Sheets



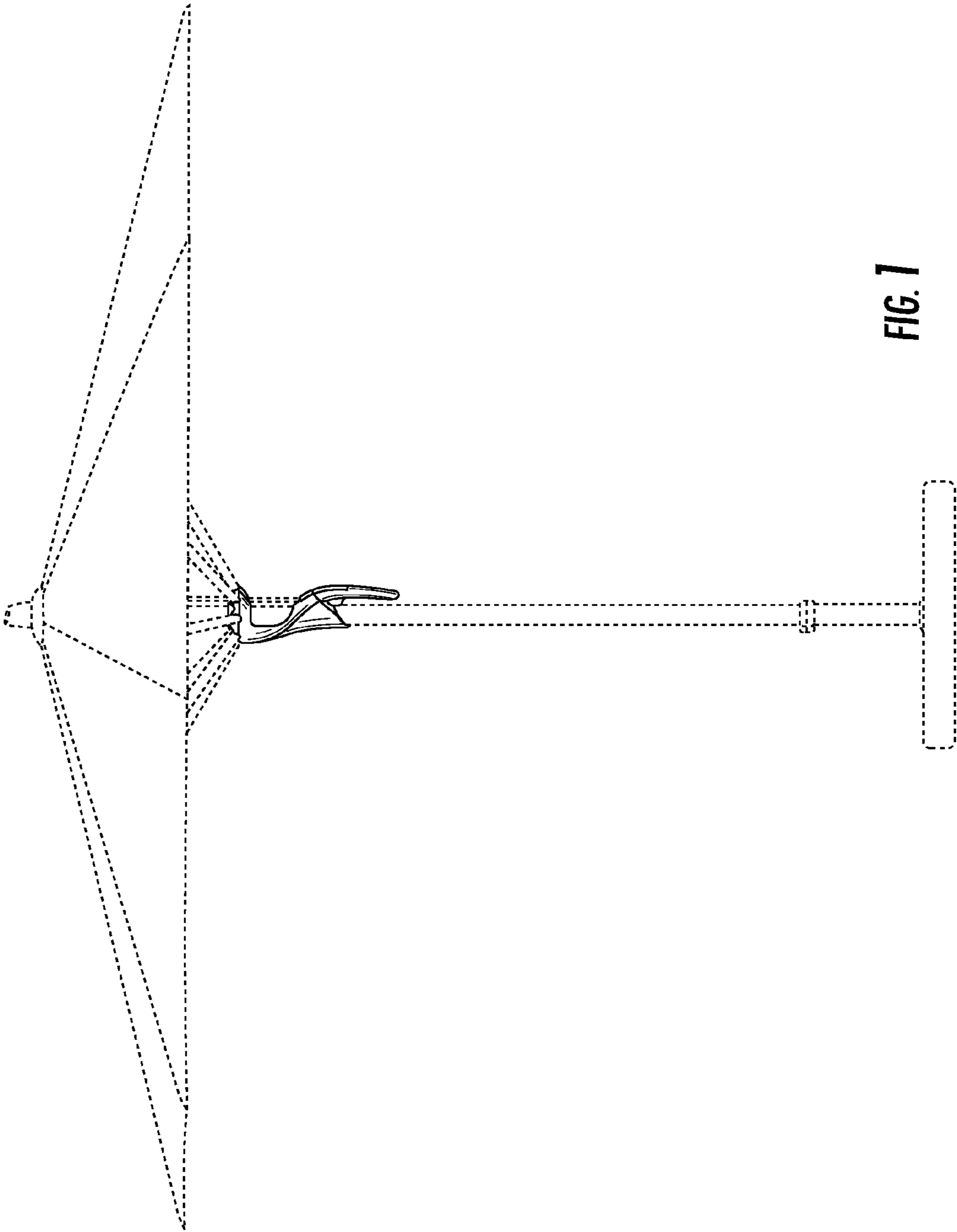


FIG. 1

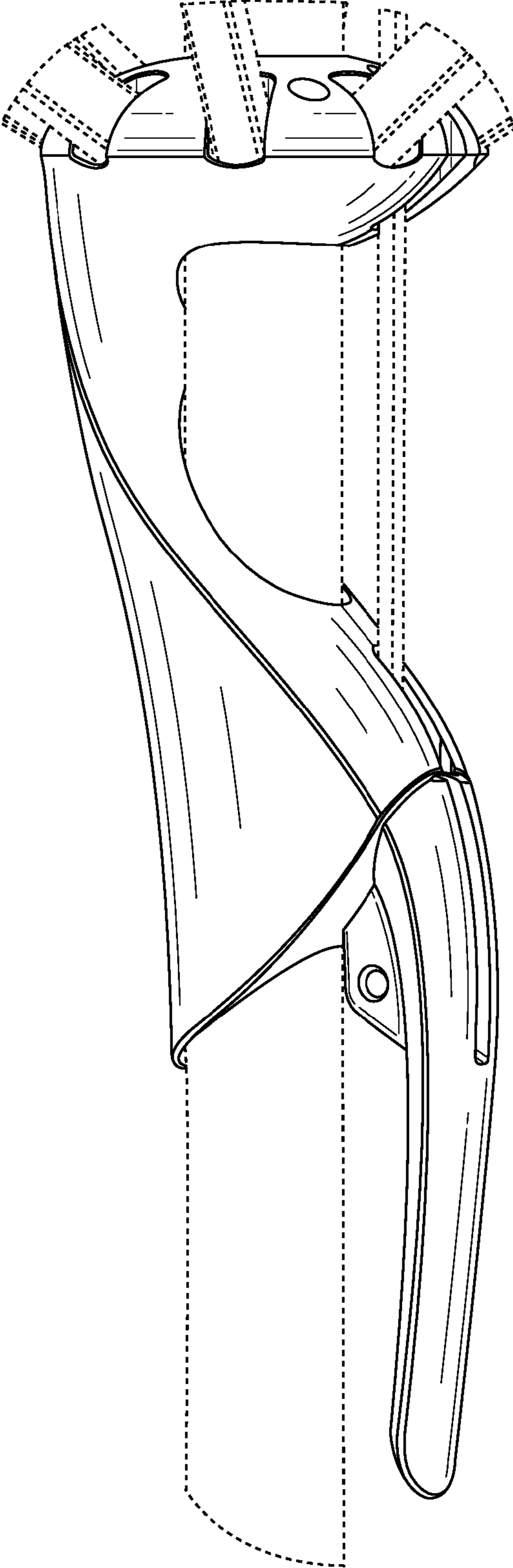


FIG. 2

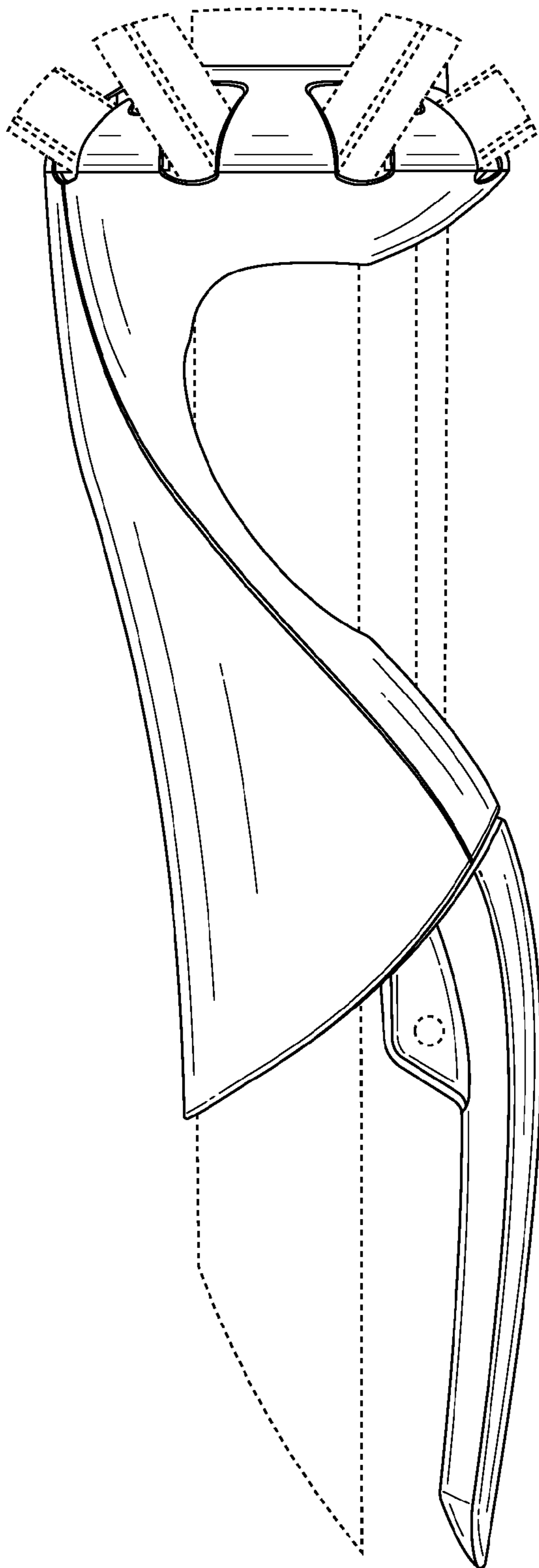


FIG. 3

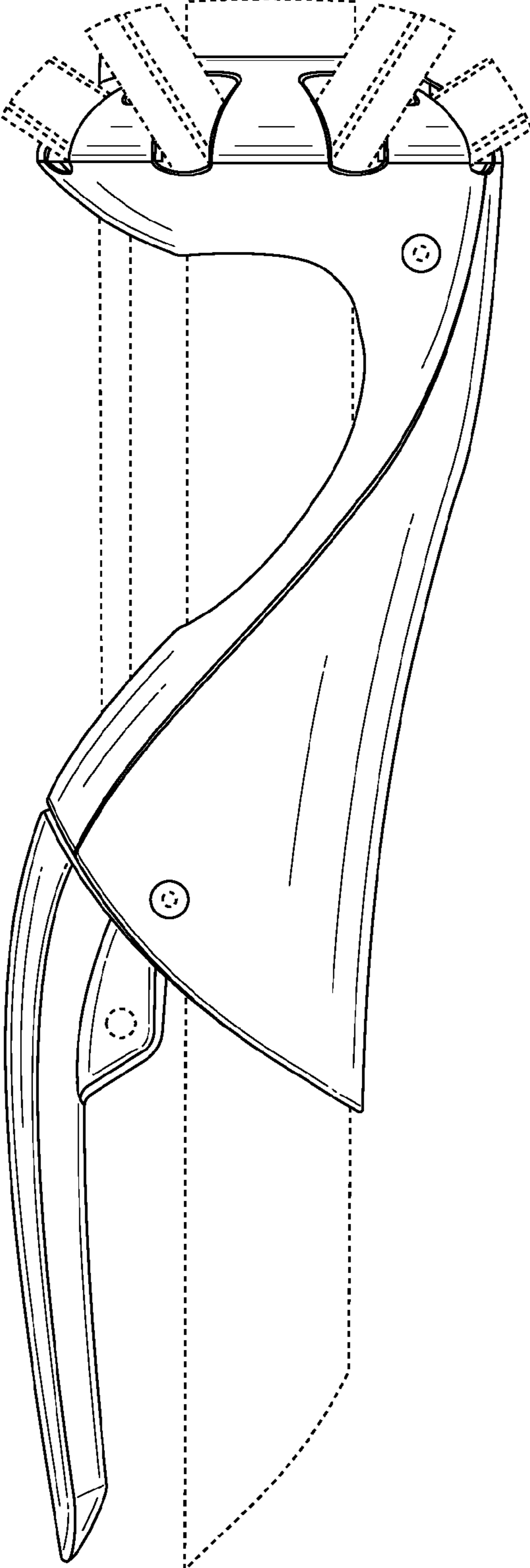


FIG. 4

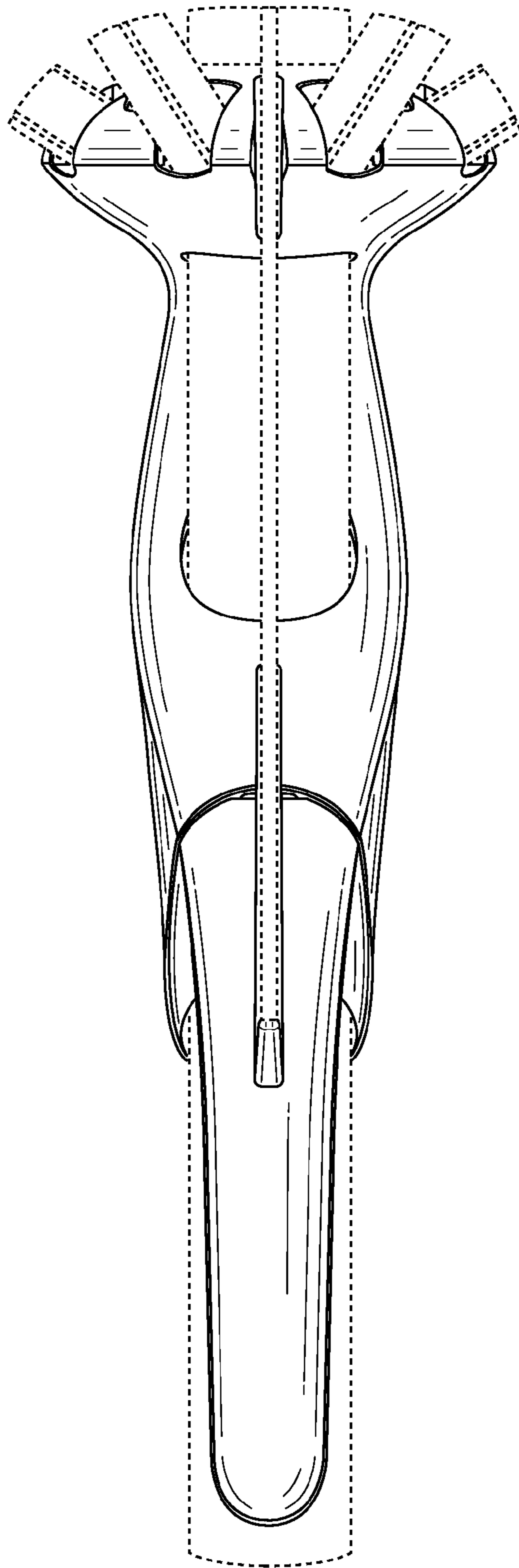


FIG. 5

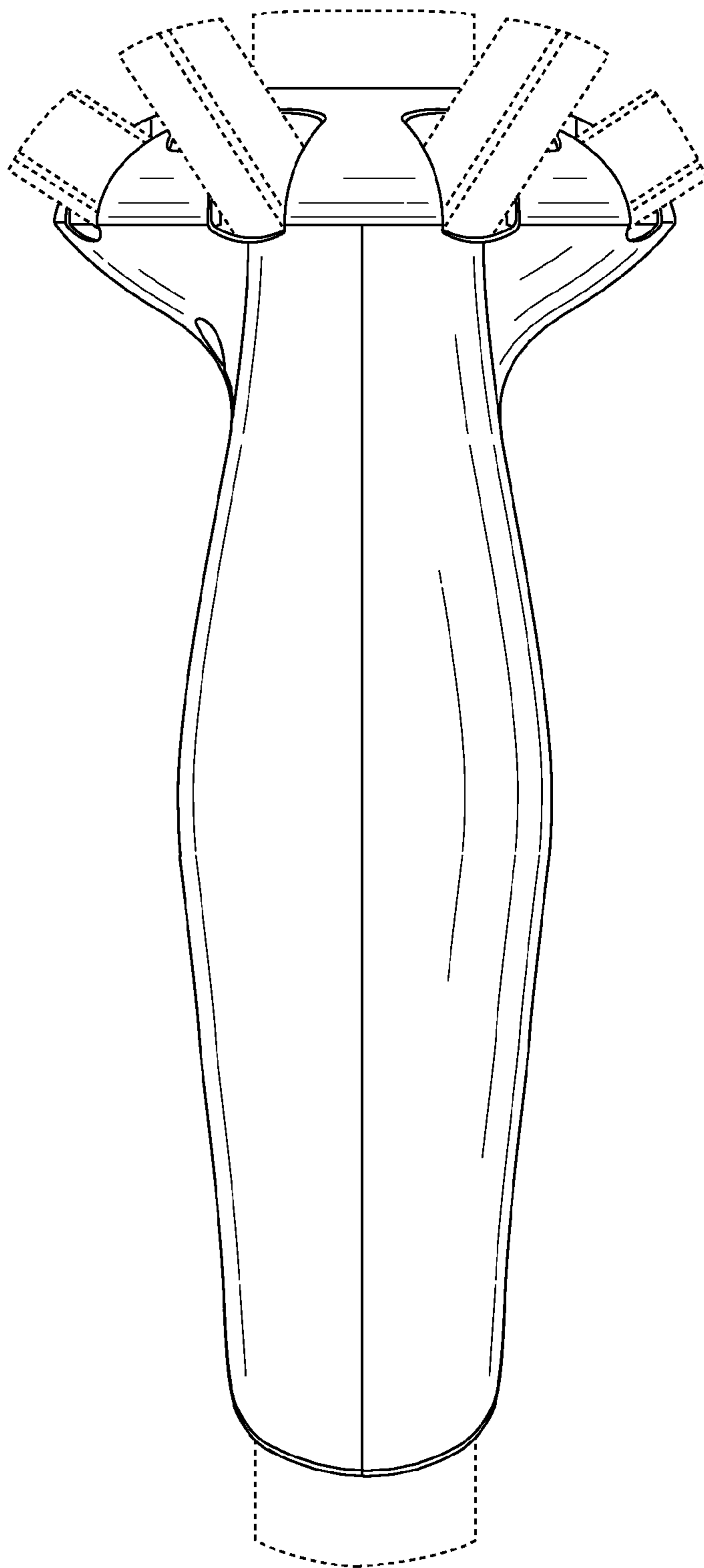


FIG. 6