

US00D644822S

(12) **United States Design Patent**
Keppler et al.

(10) **Patent No.:** **US D644,822 S**

(45) **Date of Patent:** **** *Sep. 13, 2011**

(54) **BOTTLE CAP HAT**

(76) Inventors: **Richard E. Keppler**, Mequon, WI (US);
Frank R. Keppler, Milwaukee, WI
(US); **George W. Keppler**, White Fish
Bay, WI (US)

(*) Notice: This patent is subject to a terminal disclaimer.

(**) Term: **14 Years**

(21) Appl. No.: **29/342,158**

(22) Filed: **Aug. 19, 2009**

Related U.S. Application Data

(63) Continuation-in-part of application No. 29/299,269, filed on Dec. 20, 2007, now abandoned, and a continuation-in-part of application No. 29/299,270, filed on Dec. 20, 2007, now abandoned.

(51) **LOC (9) Cl.** **02-03**

(52) **U.S. Cl.** **D2/870**

(58) **Field of Classification Search** D2/865,
D2/869, 878, 891, 892, 894; D8/38; 2/171,
2/172, 1, 10, 200.1, 204, 205, 410, 425; 215/324,
215/328, 337

See application file for complete search history.

(56) **References Cited**

U.S. PATENT DOCUMENTS

468,226 A * 2/1892 Painter 215/324
734,561 A * 7/1903 Jones 215/324

1,123,206 A * 12/1914 Gaston 215/328
D48,033 S * 10/1915 Kaye D9/453
1,373,713 A * 4/1921 Schweizer-Caillaux 2/175.6
D69,705 S * 3/1926 Higgins D2/868
1,706,561 A * 3/1929 Church 215/305
1,861,603 A * 6/1932 Lindsay 215/328
2,295,946 A * 9/1942 Grandy 215/295

(Continued)

FOREIGN PATENT DOCUMENTS

GB 2093364 * 6/2000

(Continued)

OTHER PUBLICATIONS

The Bottlecap hats, as shown in Brewcity catalog as posted on www.brewcityonline.com, dated Jan. 27, 2010 (p. 3).*

(Continued)

Primary Examiner — Karen E Eldridge Powers

(74) *Attorney, Agent, or Firm* — James Wood

(57) **CLAIM**

The ornamental design for a bottle cap hat, as shown and described.

DESCRIPTION

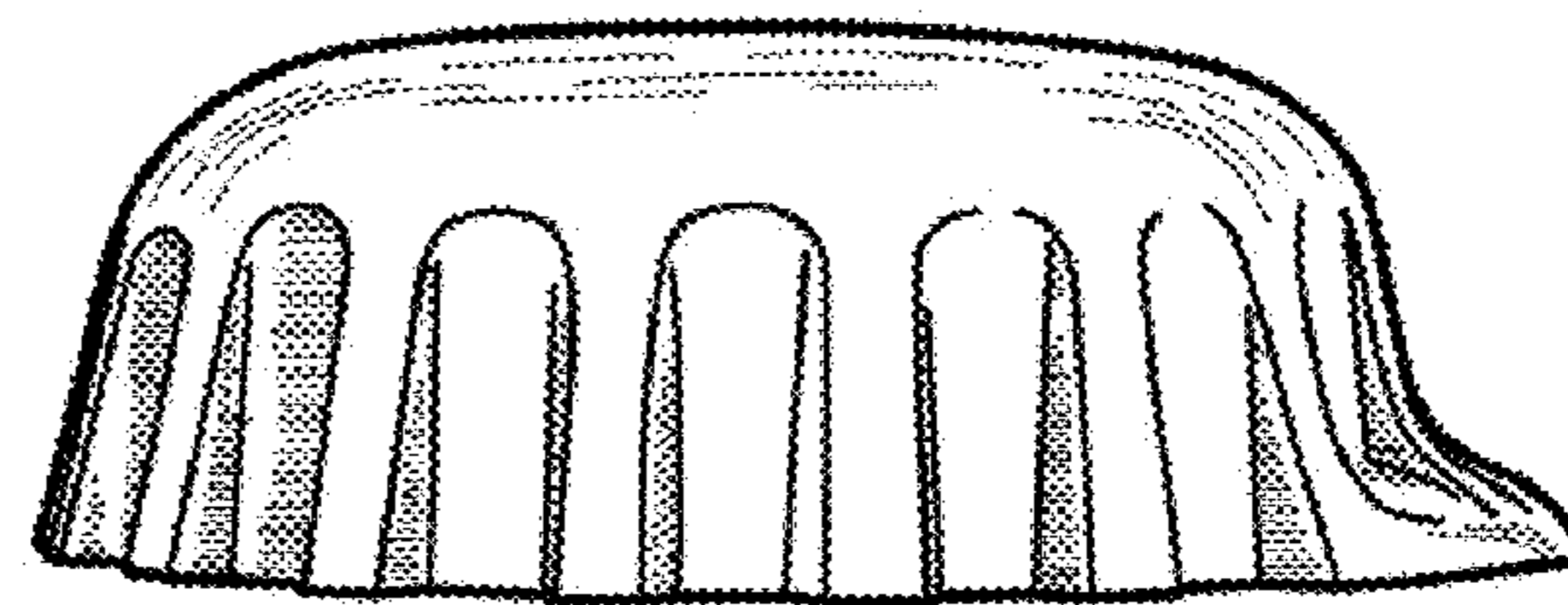
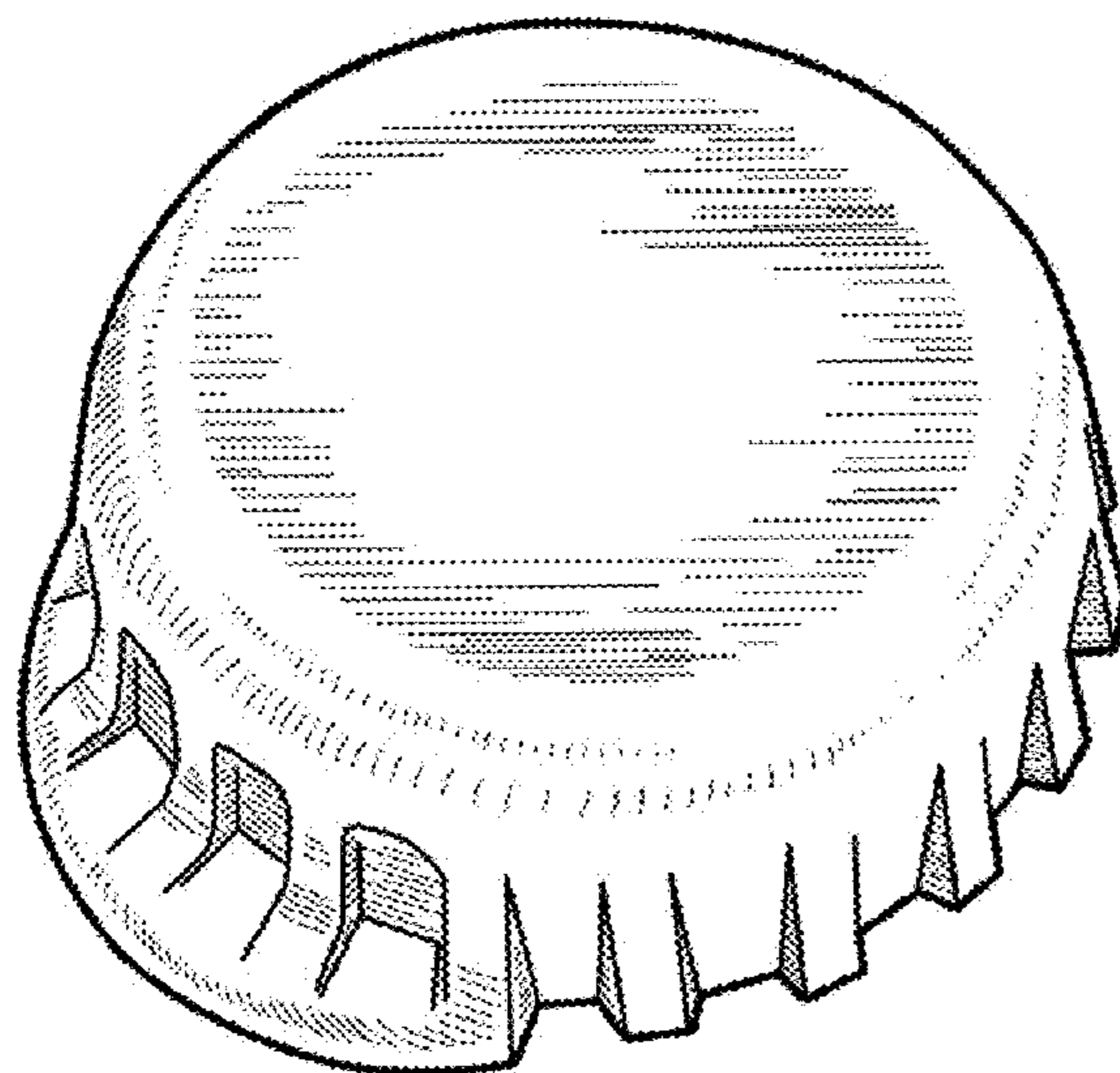
FIG. 1 is a perspective view of an embodiment of a bottle cap hat;

FIG. 2 is a top view of the embodiment shown in FIG. 1;

FIG. 3 is a front view of the embodiment shown in FIG. 1; and,

FIG. 4 is a side view of the embodiment shown in FIG. 1.

1 Claim, 1 Drawing Sheet



US D644,822 S

Page 2

U.S. PATENT DOCUMENTS

2,955,722 A * 10/1960 Autonious 215/393
3,362,557 A * 1/1968 Micciche 215/252
3,774,795 A * 11/1973 Leenaards 215/328
D278,406 S * 4/1985 Koziol D8/38
D280,946 S * 10/1985 Rutyna et al. D2/872
D280,947 S * 10/1985 Rutyna et al. D2/872
4,633,740 A * 1/1987 Jacobs 81/3.09
D298,147 S * 10/1988 Tesla D21/443
D381,881 S * 8/1997 Shaul et al. D8/40
D422,399 S * 4/2000 Flugger D2/871
D458,438 S * 6/2002 Volk et al. D2/869
D462,506 S * 9/2002 Davison, III D2/869
D466,677 S * 12/2002 Arya D2/869
D482,847 S * 12/2003 Lee D2/869
D493,947 S * 8/2004 Carmody et al. D2/869
D497,088 S * 10/2004 Davis D8/40
7,188,374 B2 * 3/2007 Carey 2/209.11

D575,711 S * 8/2008 Johannsen D12/192
D586,539 S * 2/2009 Hernandez D2/893
2004/0074863 A1 * 4/2004 Ramsey et al. 215/327
2007/0181526 A1 * 8/2007 Frishman 215/257

FOREIGN PATENT DOCUMENTS

GB 2100994 * 6/2001
WO DM/058991 * 1/2002

OTHER PUBLICATIONS

Ad for Coca-Cola showing a boy doffing his hat, which is a Coca-Cola bottle cap, as posted on www.ecrater.com, dated 1945.*

Brew City BottleCap Hat as offered on www.brewcityonline.com, dated Mar. 17, 2010 (3 pages).*

Coca-Cola ad dated 1955, as posted on www.vintageposterworks.com (4 pages).*

* cited by examiner

Fig. 1

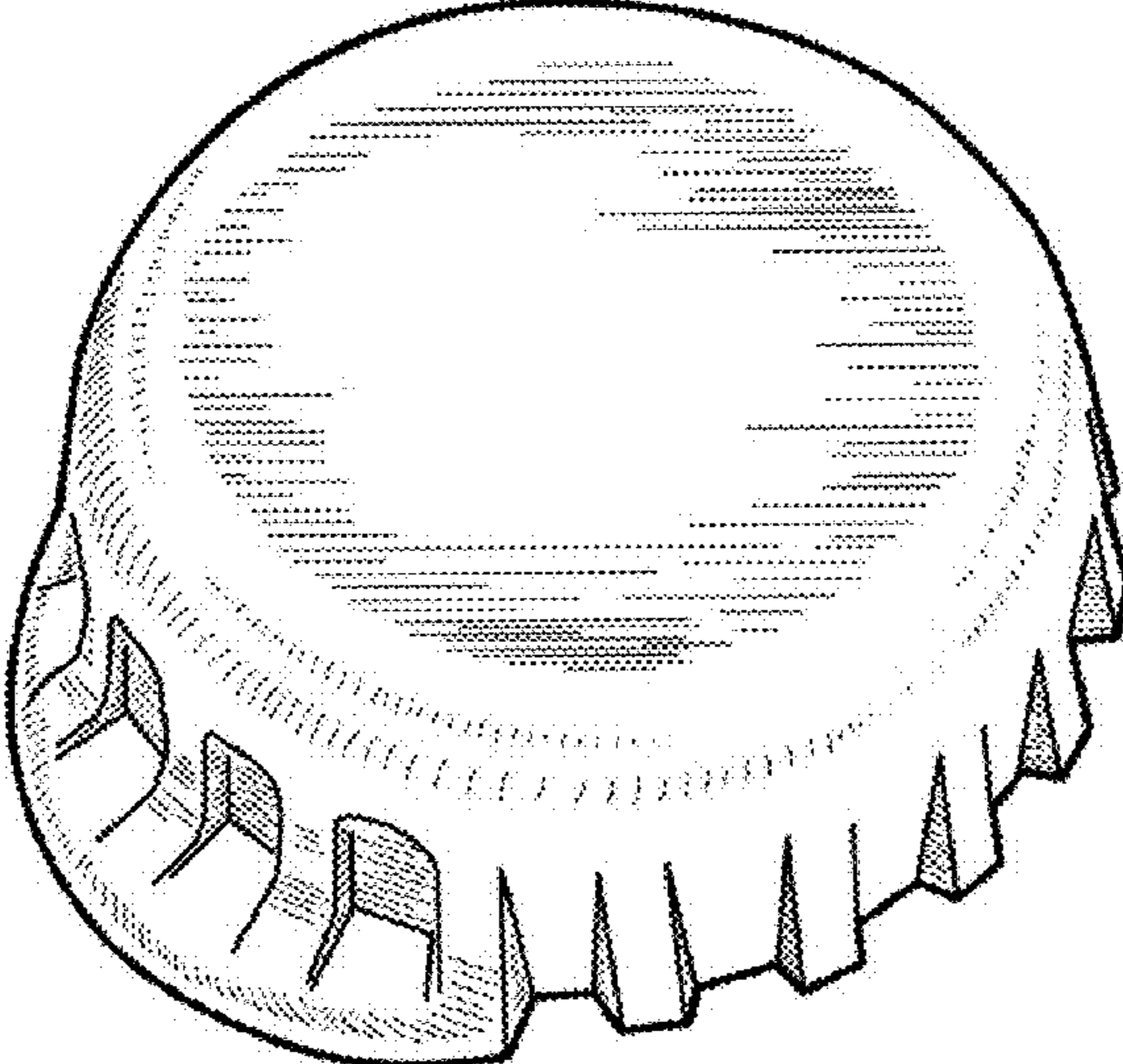


Fig. 2

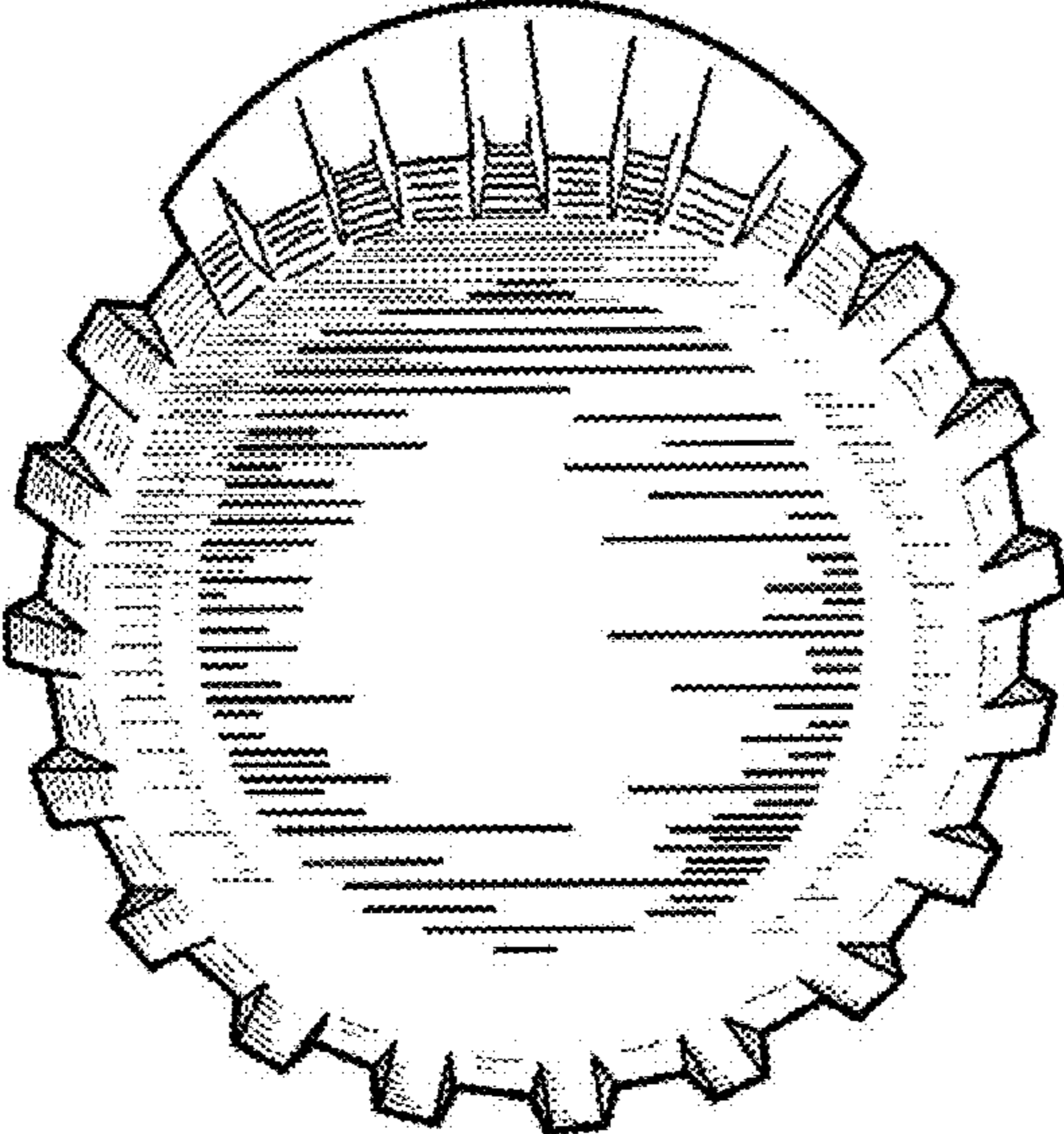


Fig. 3

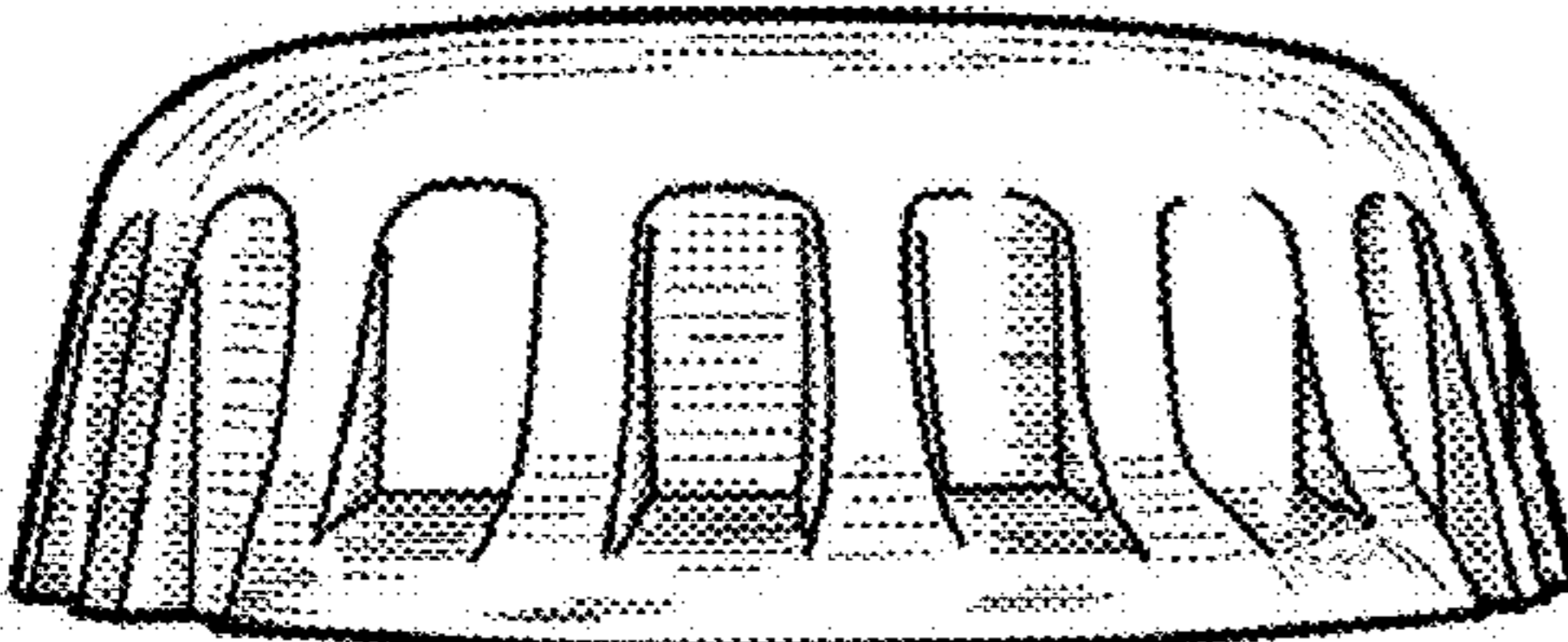


Fig. 4

